

Instruction
模型拼裝說明書 **1:48 Scale**



**KITTY
HAWK**

SUKHOI

SU-17/22UM-3K



張一鳴

蘇聯SU-17/22UM-3K “裝配匠-G” 教練機

KH80147

Please visit our web site at
www.kittyhawkmodel.com

READ BEFORE ASSEMBLY

在組合您的模型之前，請充分閱讀本冊說明書。組合模型您需要如下物品（需另購）：模型膠水；一把模型鉗或一把用於將零件從框架上切下的模型筆刀。筆刀同樣可以用來修整零件的合模綫。祝您制作愉快！

Before assembling your model kit, read through these instructions carefully. To assemble this kit, you will need Plastic glue (not include). A pair of side cutter or a sharp modelling knife is required for removing parts from the frame. Plastic mould lines can be removed with the modelling knife.



塗色
Painting



隨愛好選擇
Optional



組合完成
Finished Assembly



制作兩組
Make Two



切除
Cut



對側
Opposite

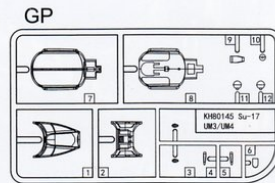
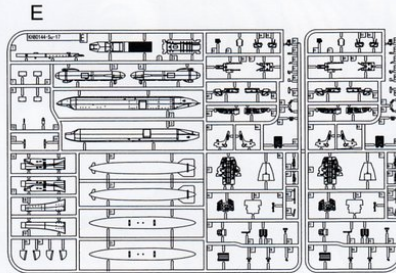
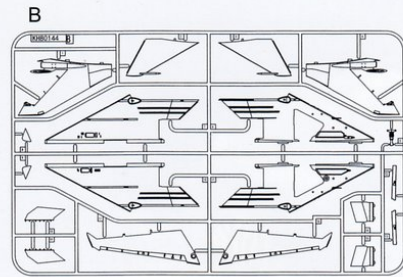
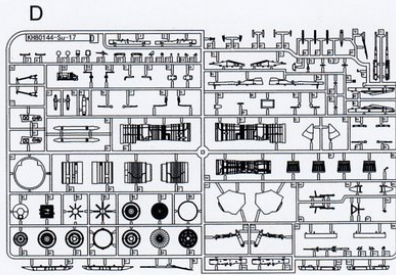
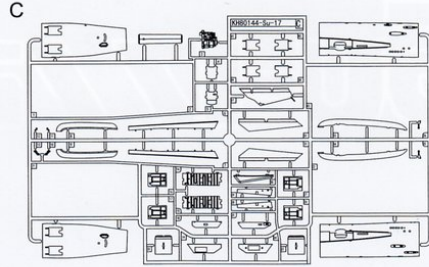
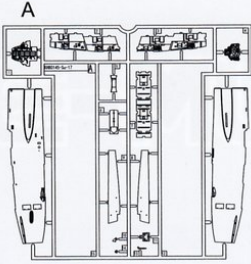


彎曲
Bend

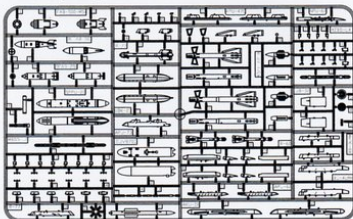


鉆孔
Make Hole

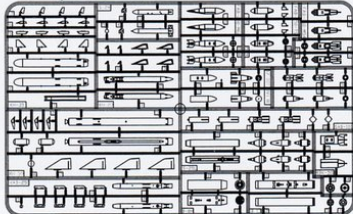
部品圖 PARTS



Weapon_1 X2



Weapon_2 X2



PE



《水貼A》
Decal A



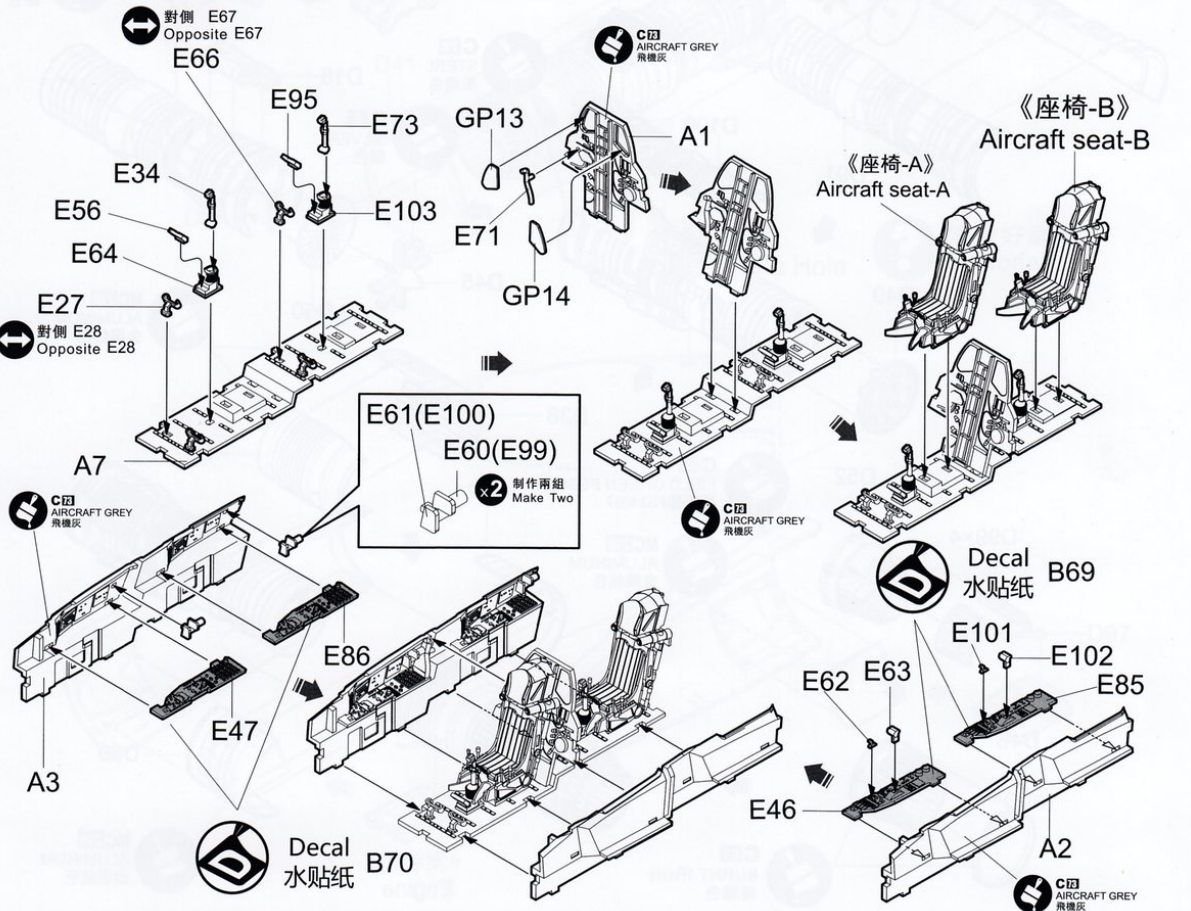
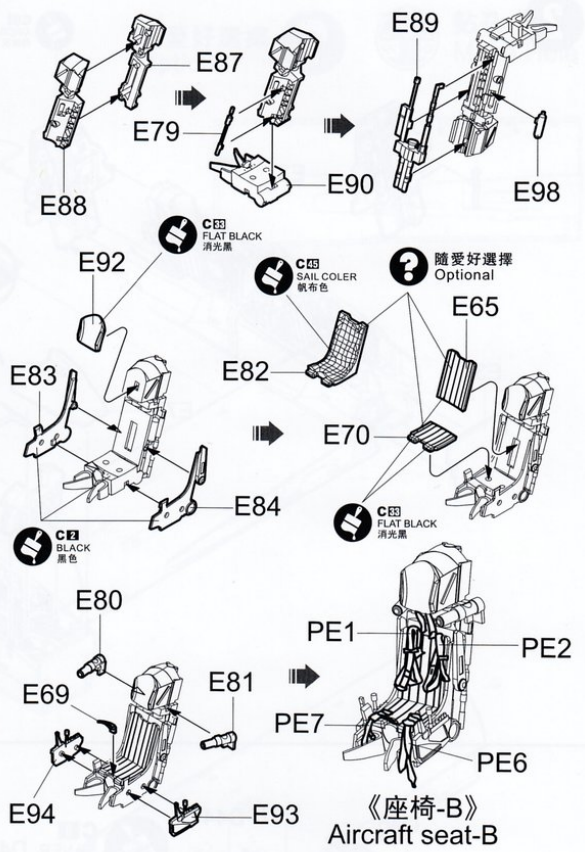
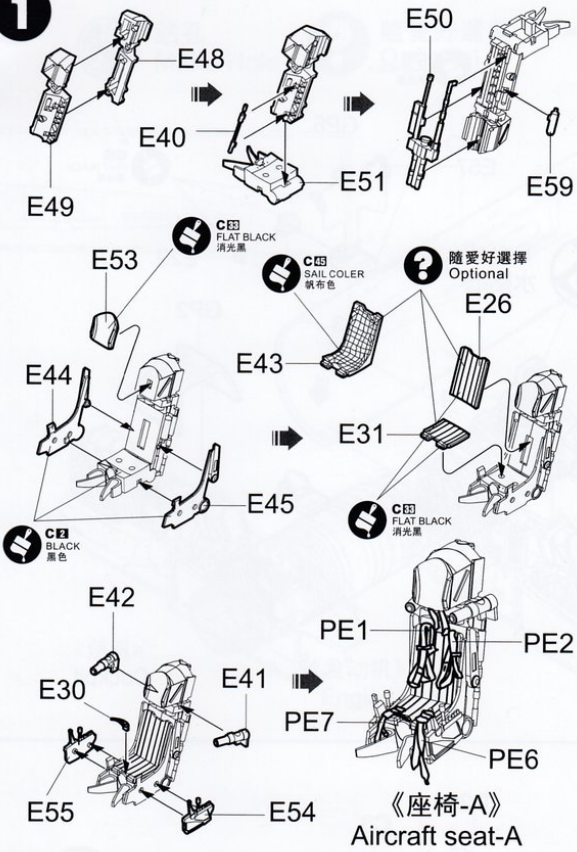
《水貼B》
Decal B



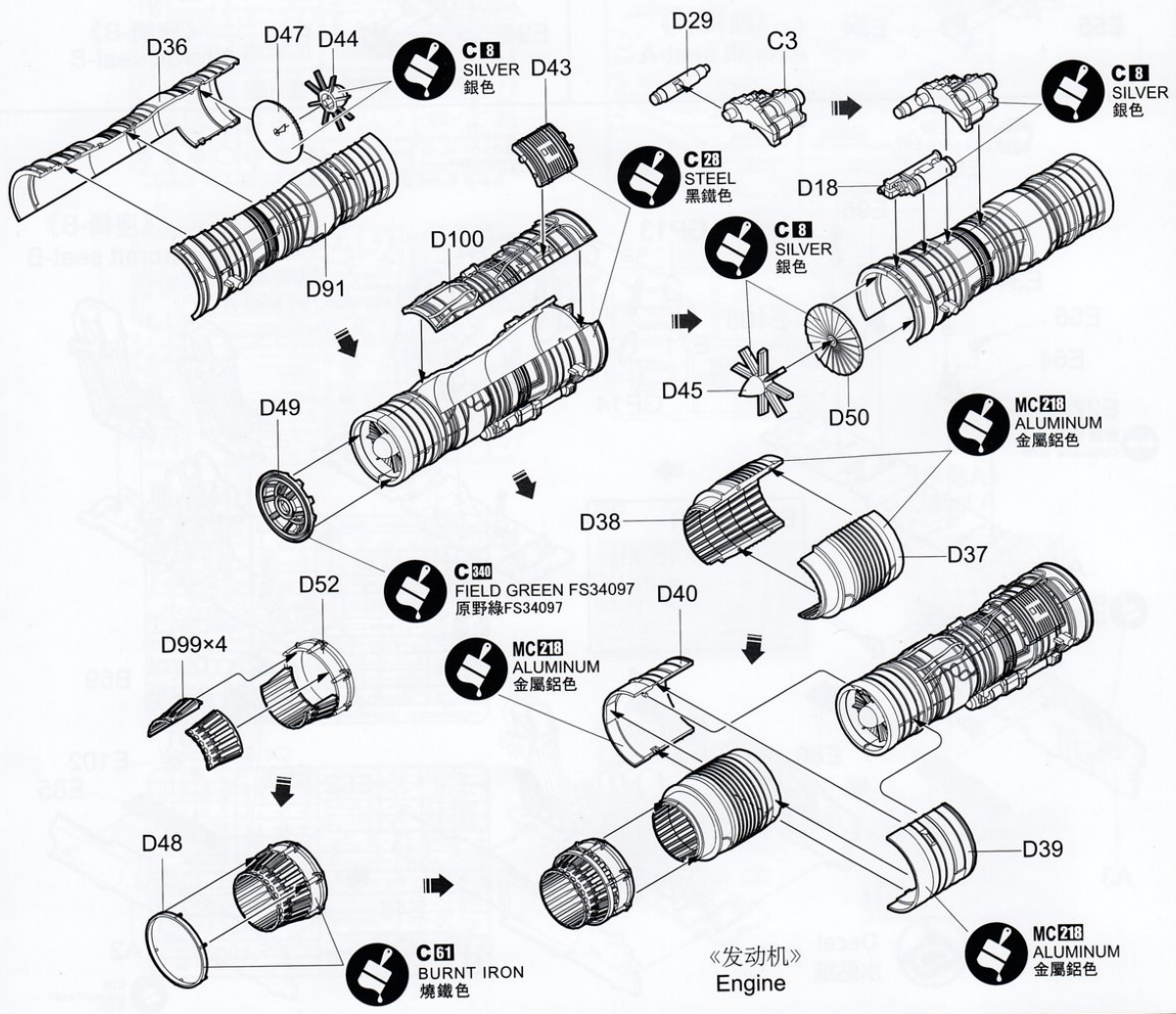
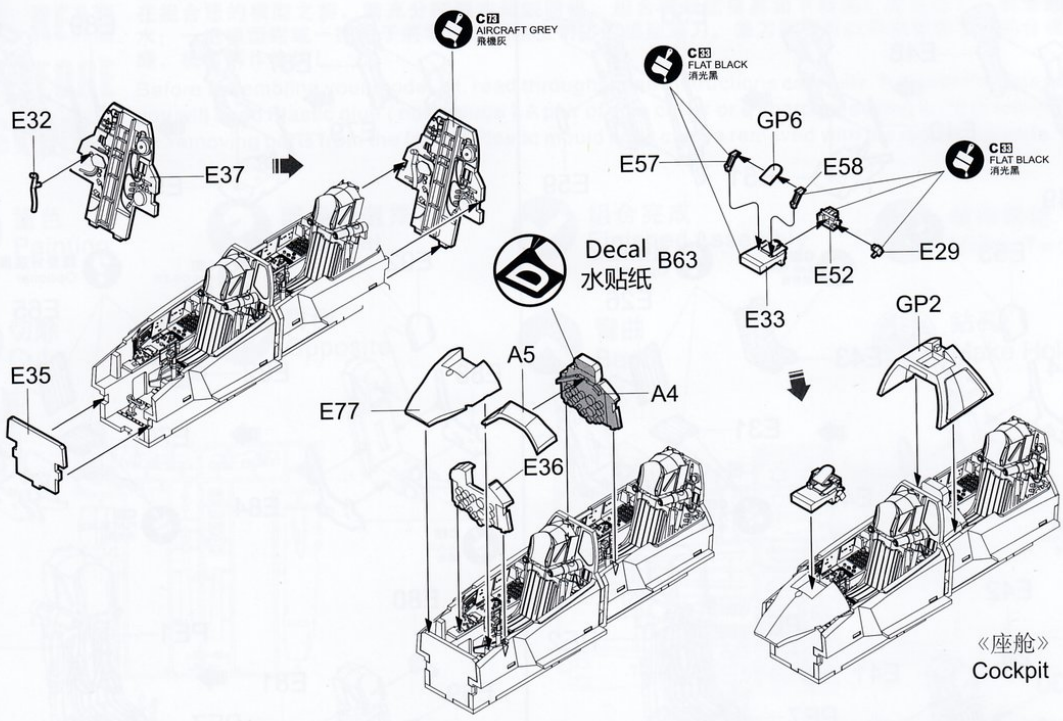
《水貼C》
Decal C



1



2



3



鑽孔
Make Hole

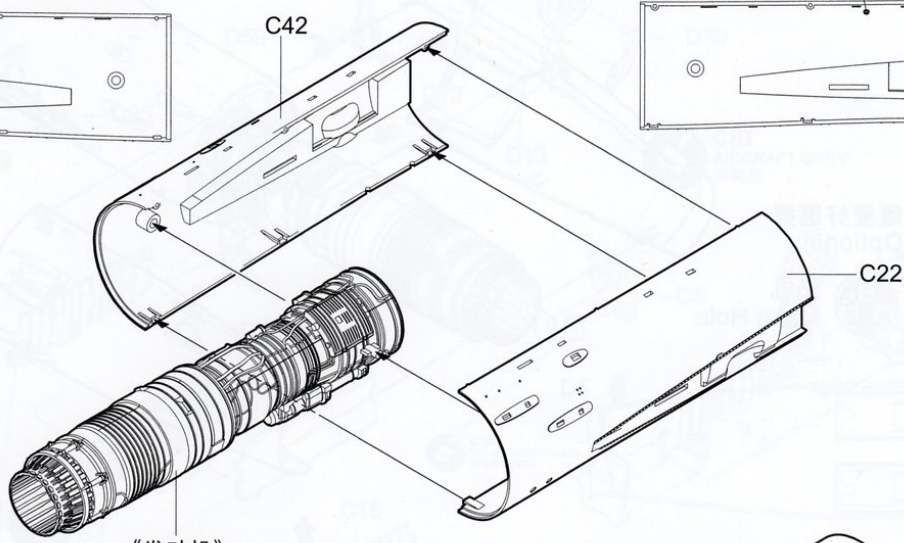
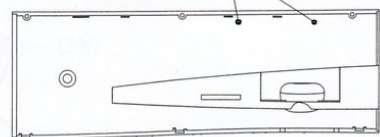
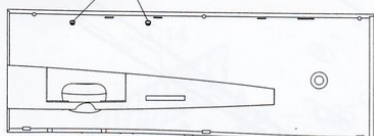


隨愛好選擇
Optional

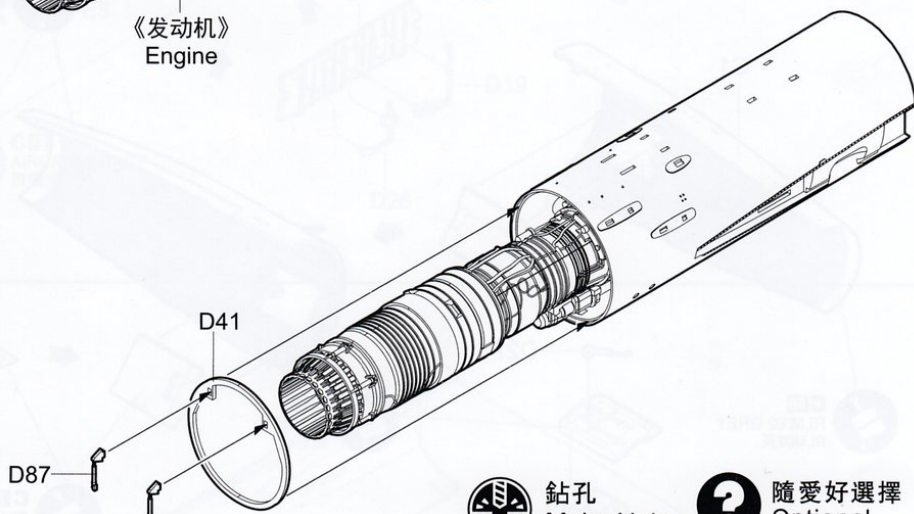
隨愛好選擇
Optional



鑽孔
Make Hole



《发动机》
Engine



D41

D87

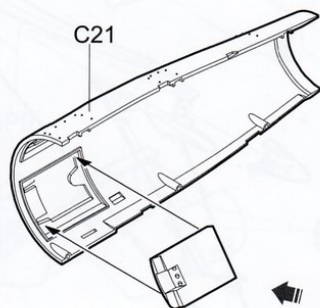
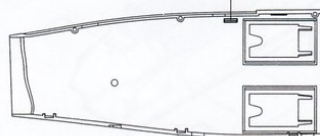
D86



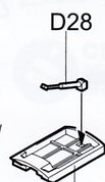
鑽孔
Make Hole



隨愛好選擇
Optional

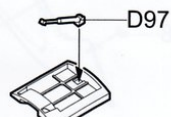
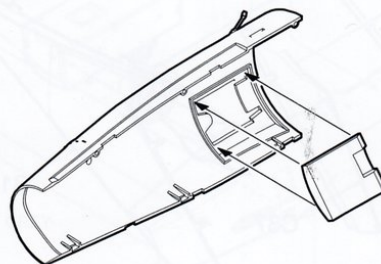


C21



D28

C17



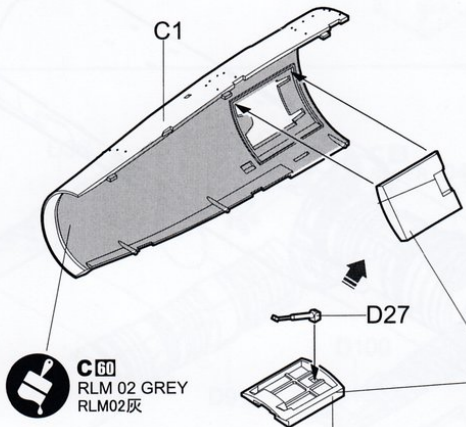
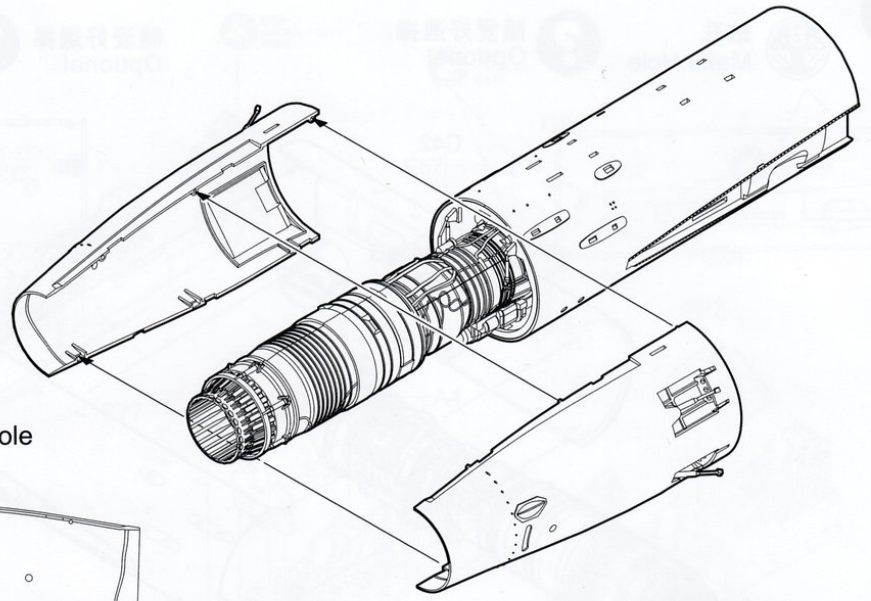
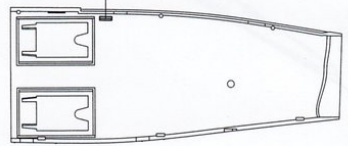
D97

C26

4

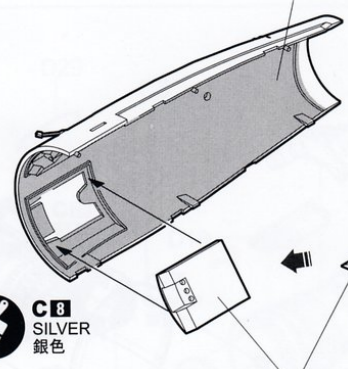
隨愛好選擇
Optional

鑽孔
Make Hole



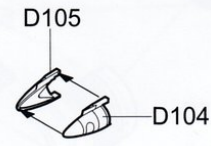
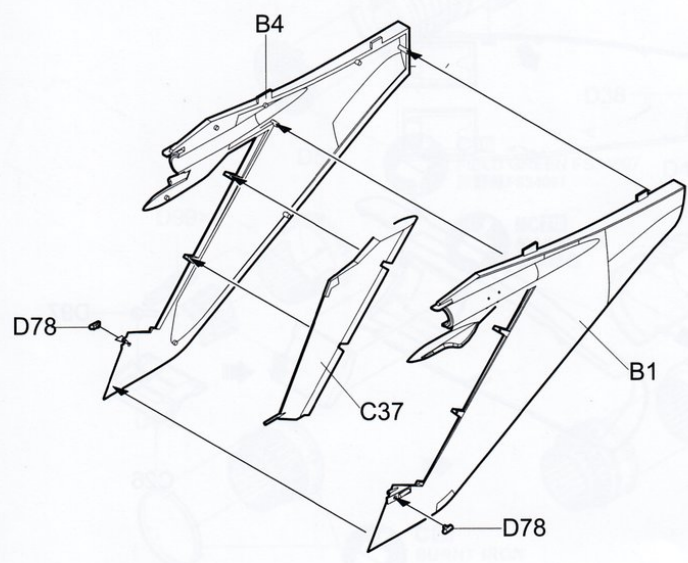
C60
RLM 02 GREY
RLM02灰

C60
RLM 02 GREY
RLM02灰



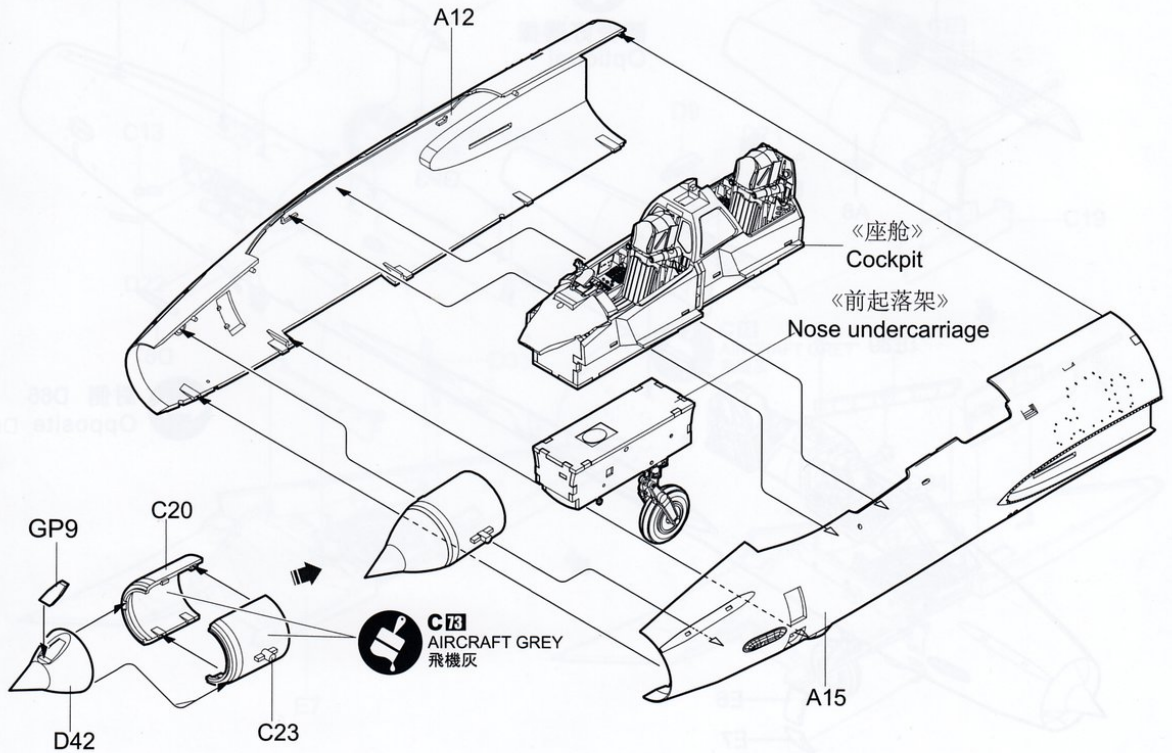
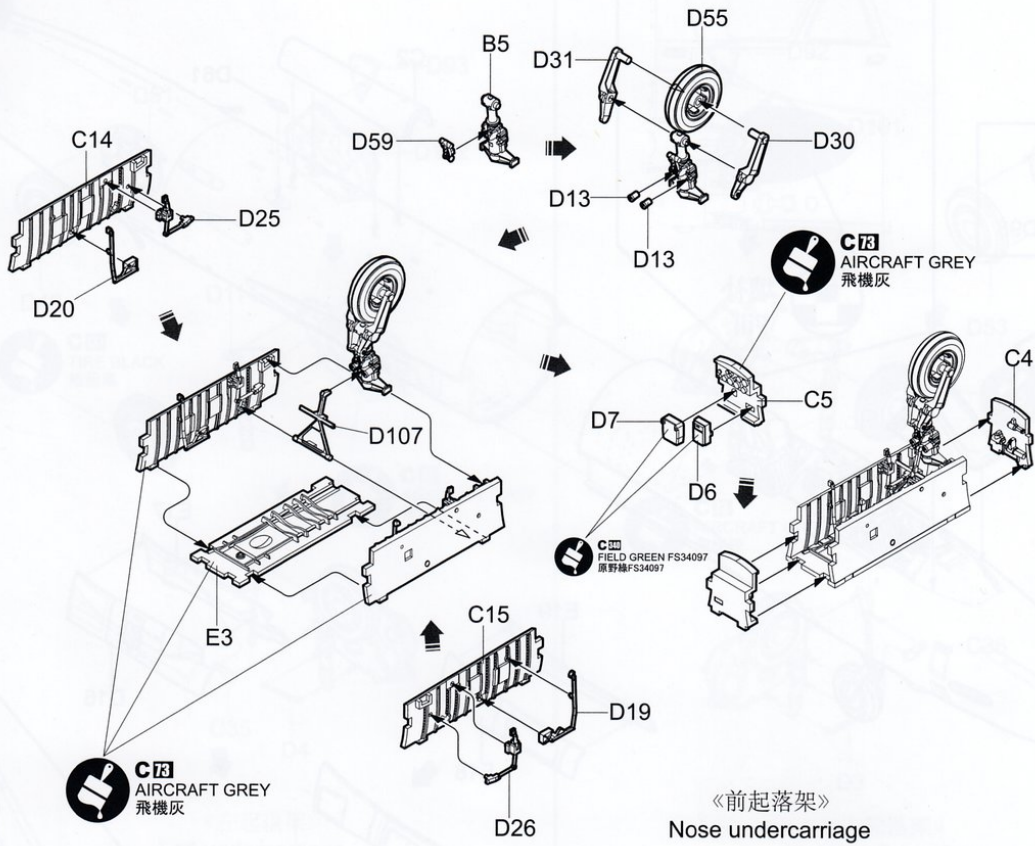
C8
SILVER
銀色

C8
SILVER
銀色



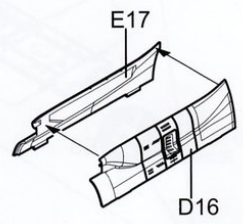
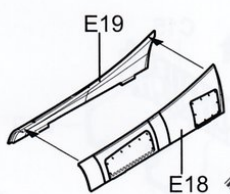
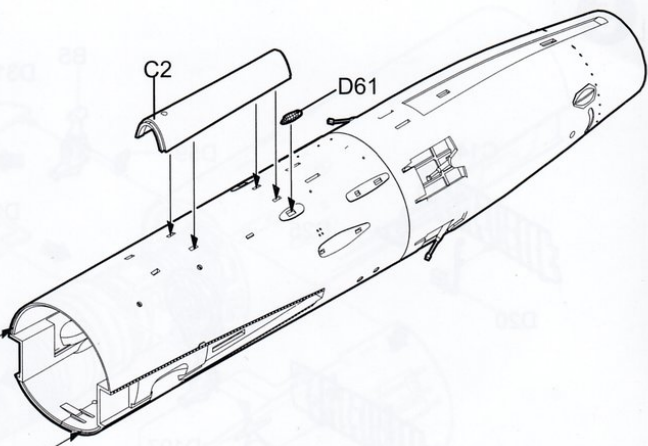
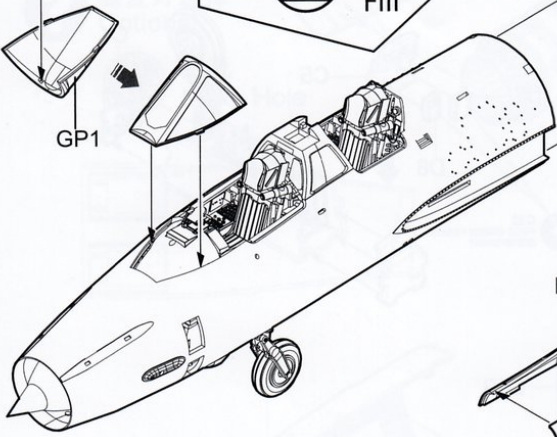
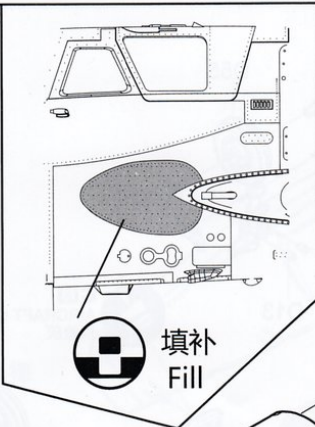
D105
D104

5

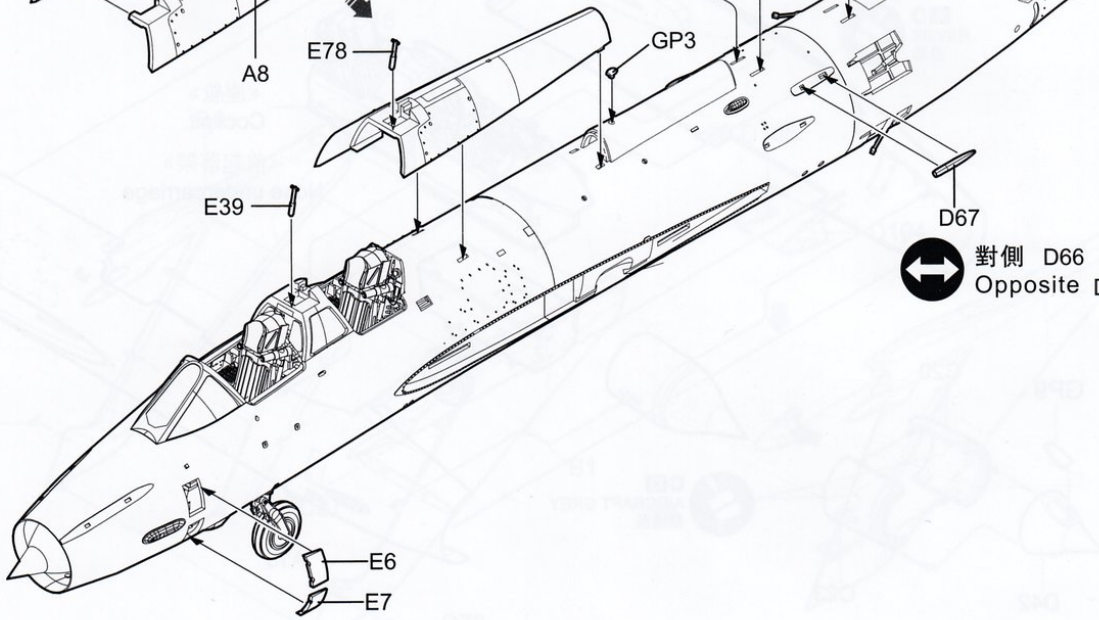
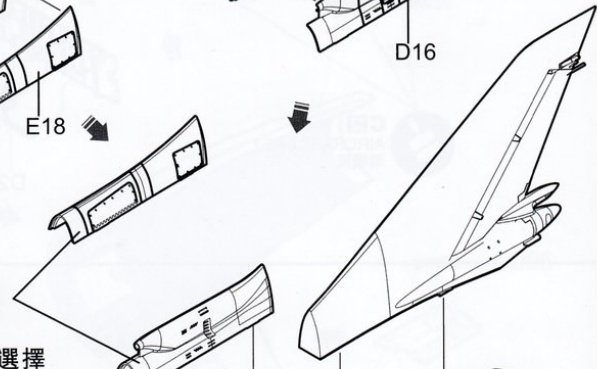
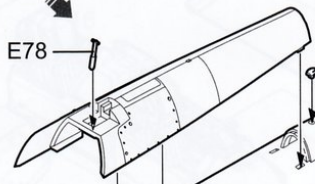
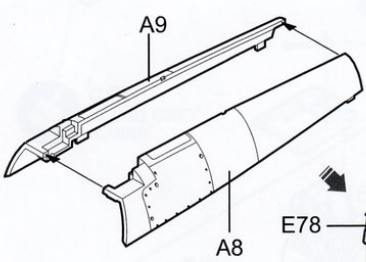


6

D75
D98

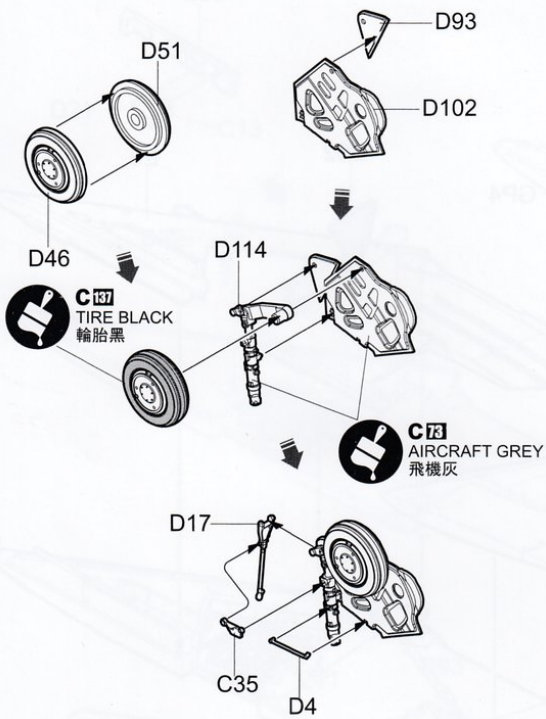


❓
隨愛好選擇
Optional

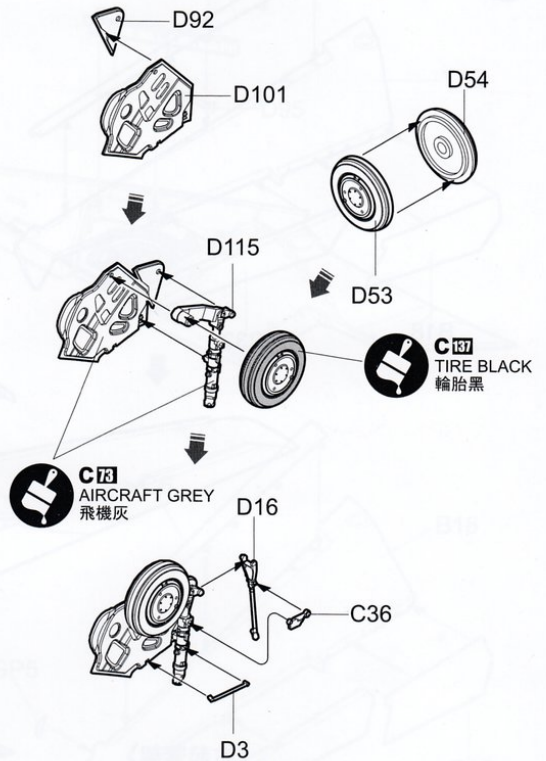


↔ 對側 D66
Opposite D66

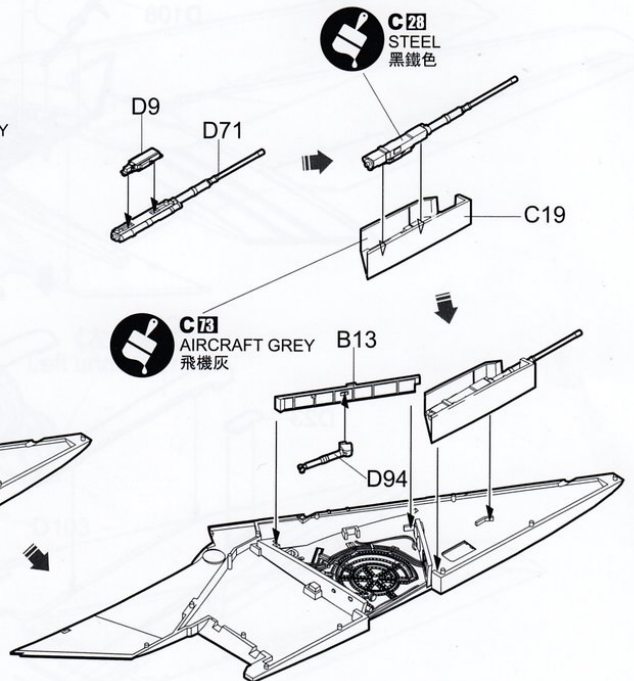
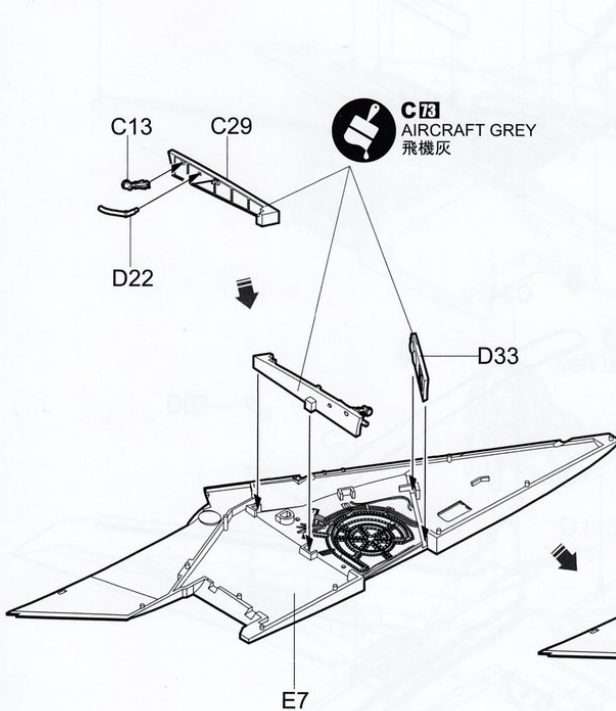
8



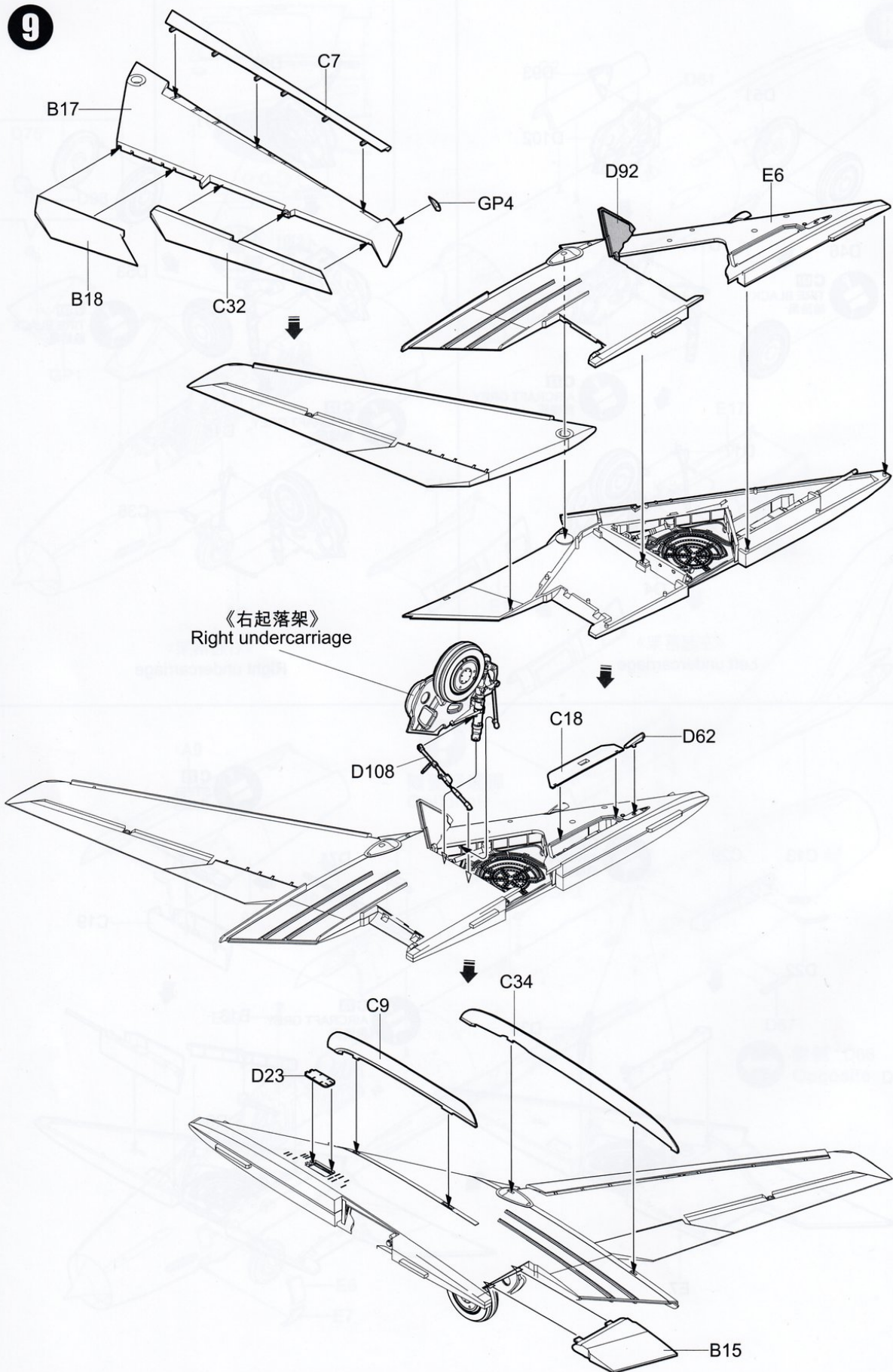
《左起落架》
Left undercarriage



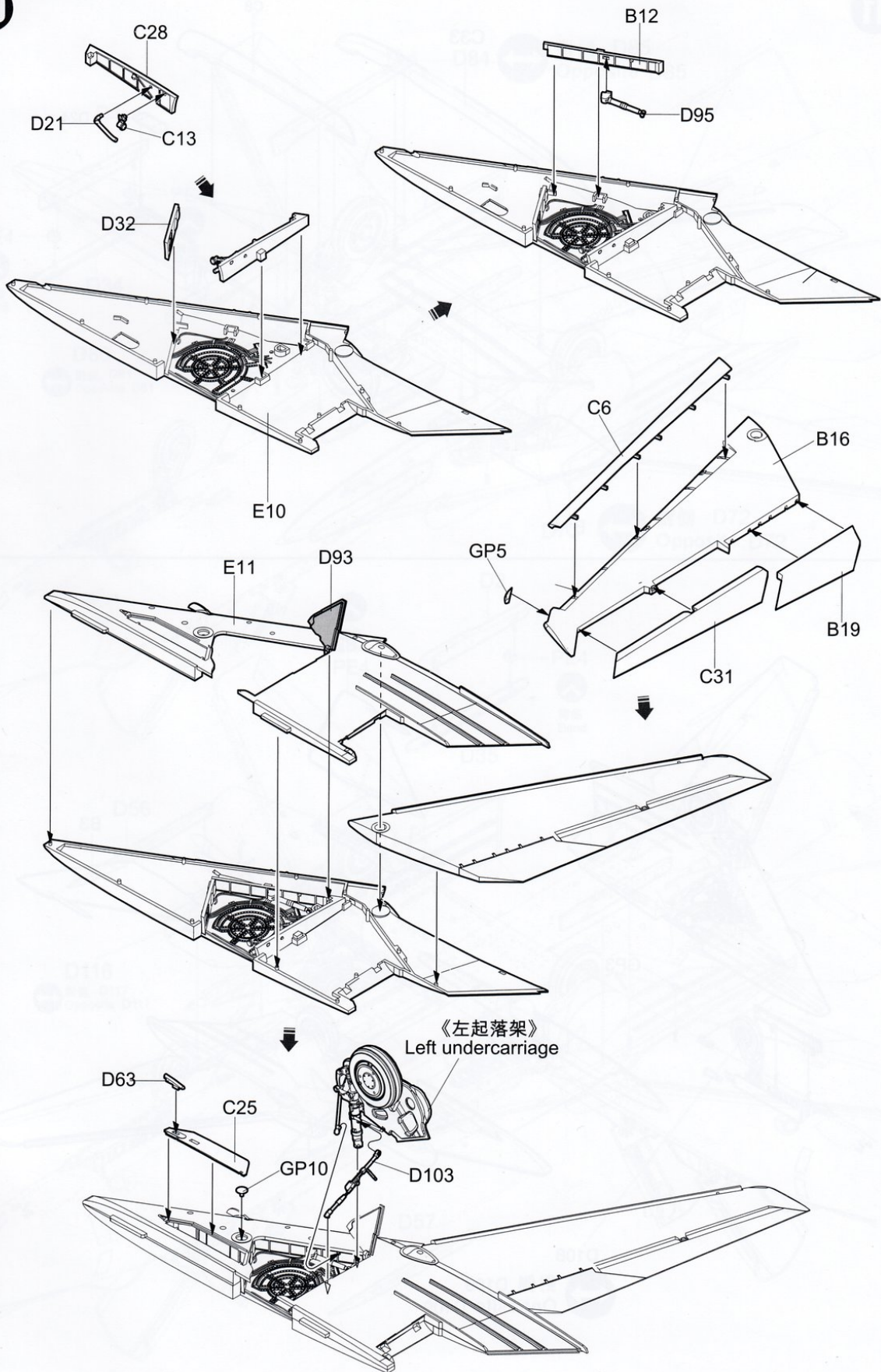
《右起落架》
Right undercarriage



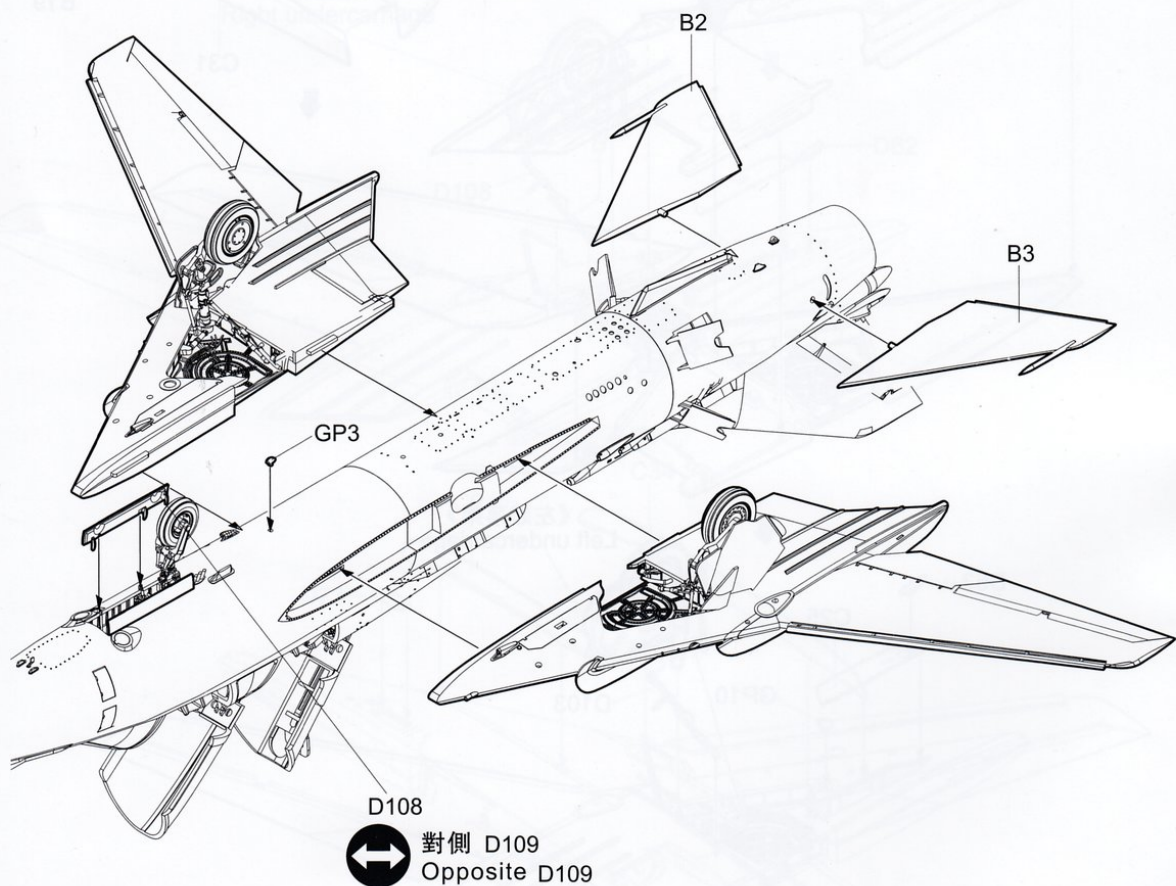
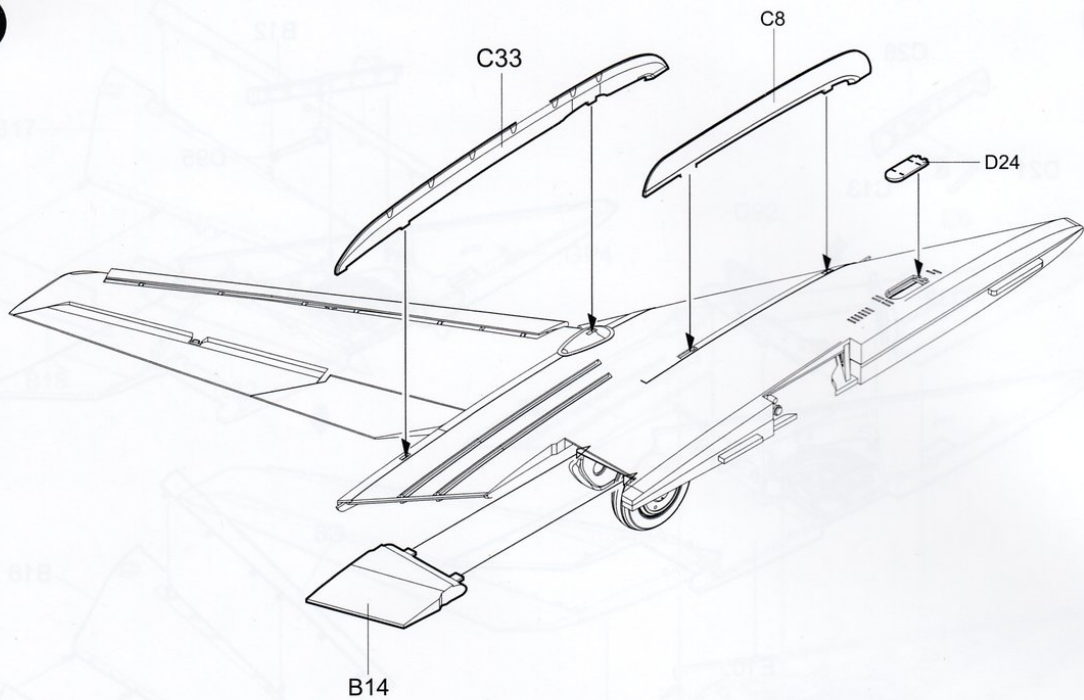
9

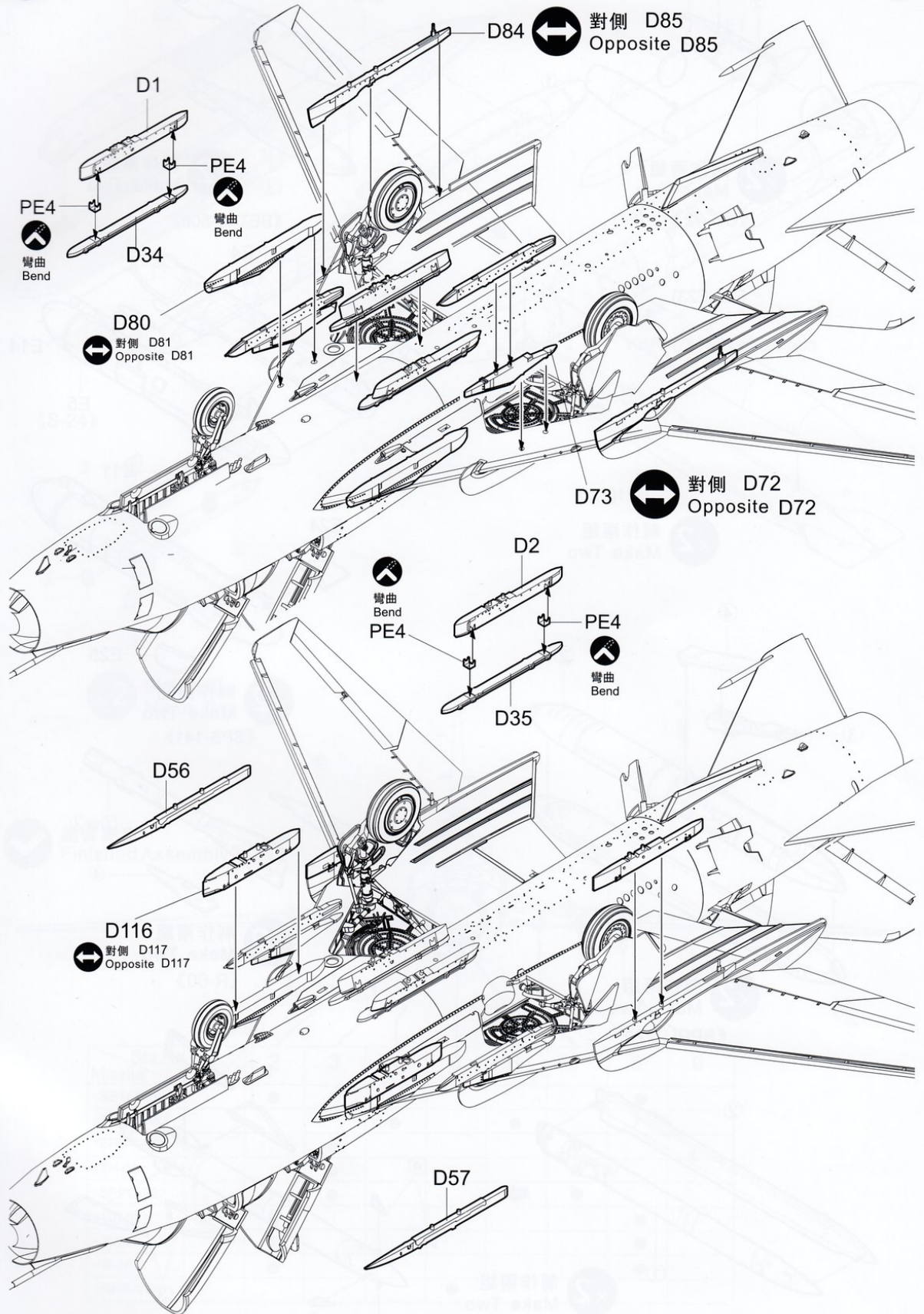


10

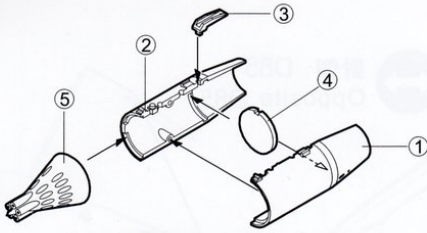


11

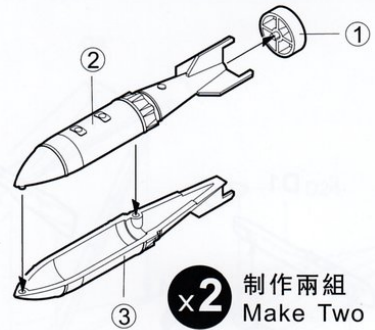




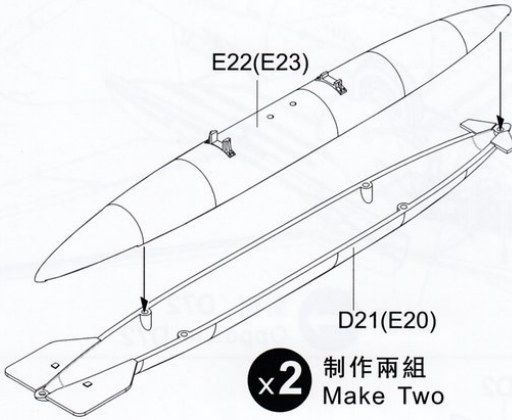
13



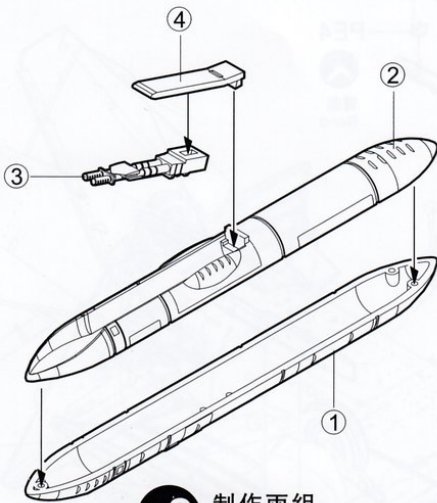
x2 制作兩組
Make Two
《UB-32》



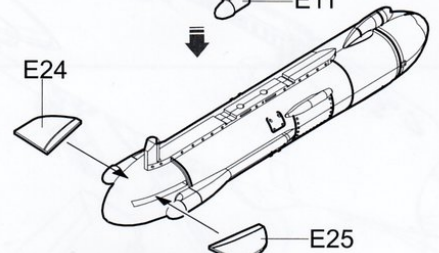
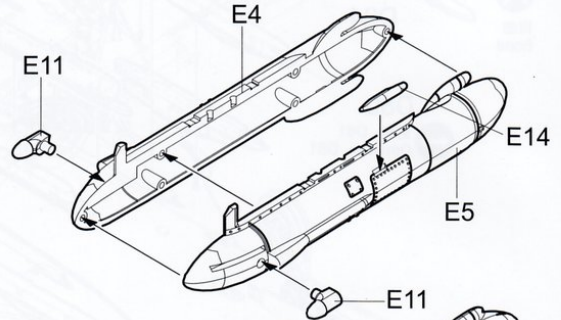
x2 制作兩組
Make Two
《BETAB-500》



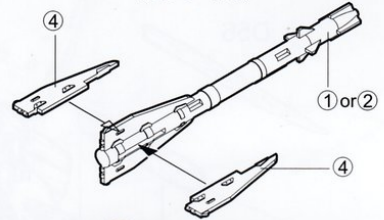
x2 制作兩組
Make Two



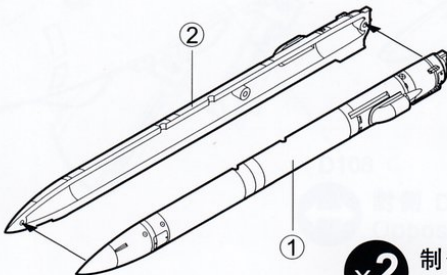
x2 制作兩組
Make Two
《SPPU-22》



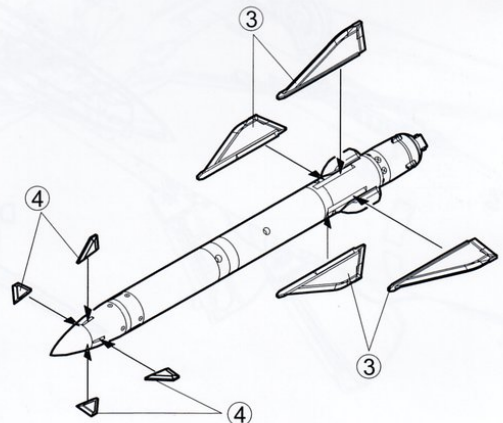
x2 制作兩組
Make Two
《SPS-141》



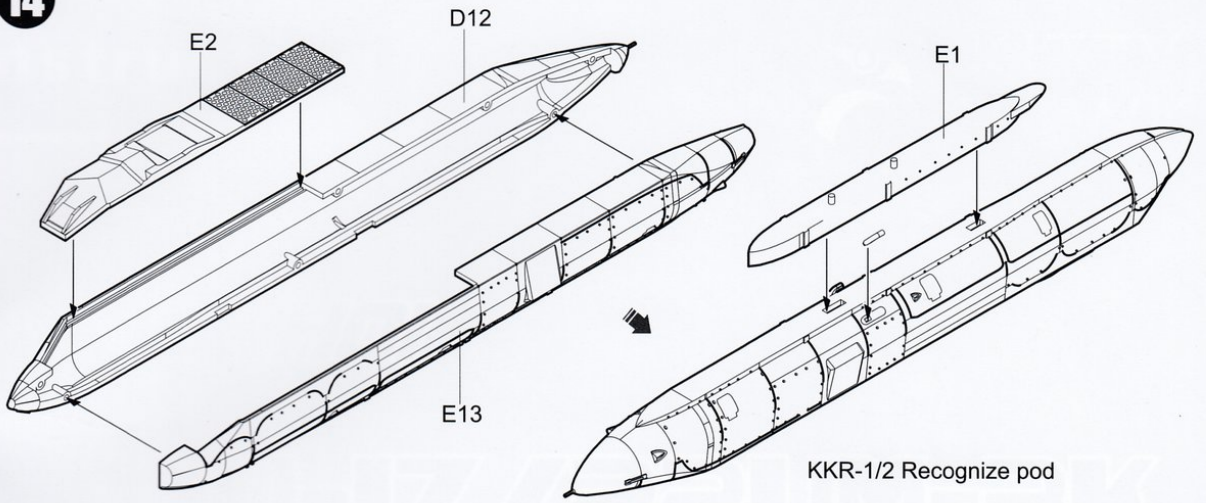
x2 制作兩組
Make Two
《R-60》



x2 制作兩組
Make Two
《KH-23》

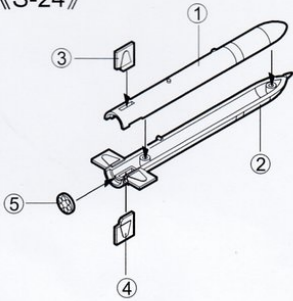


14



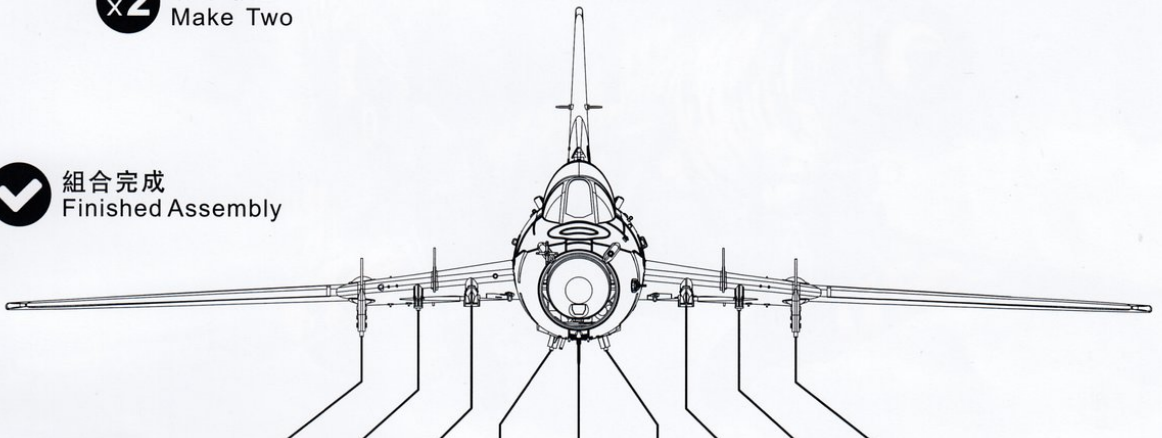
KKR-1/2 Recognize pod

《S-24》



x2 制作兩組
Make Two

✓ 組合完成
Finished Assembly



Sta.No	1	2	3	4	5	6	7	8	9
Missile									
《BETAB-500》		●						●	
《Fuel Tank》				●		●			
《SPS-141》			●				●		
《KH-23》			●				●		
《SPPU-22》			●				●		
《UB-32》		●						●	
《S-24》		●						●	
《R-60》		●						●	
《KKR-1T》					●				

 **KITTY
HAWK**

Photo Etched Brass Included

1:48 Scale

ITEM NO.:KH80147

SU-17 / 22UM-3K

SUKHOI

蘇聯SU-17/22 UM-3K “裝配匠-G” 教練機

▼ Sukhoi Su-22 UM3., Polish Air Force, 707.



▼ Soviet AF Su-17UM3 yellow 88



▼ SU-22 UM3K,98+16,17532371001,WTD-61,Manching,Germany,1994



▼ Su-22UM3, Hungarian Air force 31st KTF regiment.



▼ Ukraine Airforce SU-22M3 yellow 77



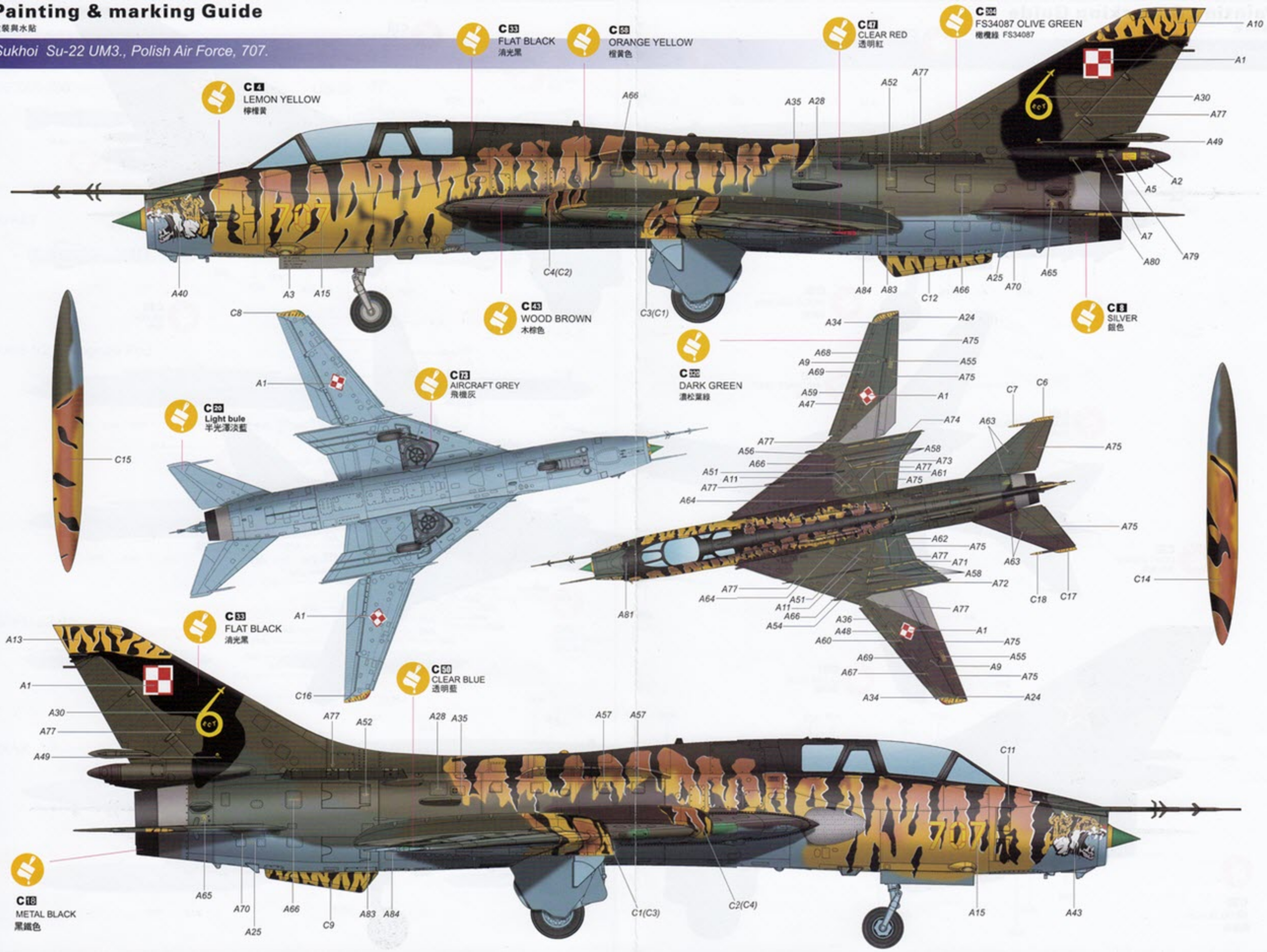
▼ Su-22M4, Czech Air force 32nd TAWing, 322nd TRSqN,
Prerov AB , IAT 94.



Painting & marking Guide

塗裝與水貼

Sukhoi Su-22 UM3., Polish Air Force, 707.



C1
LEMON YELLOW
檸檬黃

C2
FLAT BLACK
消光黑

C3
ORANGE YELLOW
橙黃色

C4
CLEAR RED
透明紅

C5
FS34087 OLIVE GREEN
橄欖綠 FS34087

C6
SILVER
銀色

C7
AIRCRAFT GREY
飛機灰

C8
DARK GREEN
濃松葉綠

C9
WOOD BROWN
木棕色

C10
Light blue
半光淡藍

C11
FLAT BLACK
消光黑

C12
CLEAR BLUE
透明藍

C13
METAL BLACK
黑鐵色

A13

A1

A30

A77

A49

A65

A70

A66

C9

A83

A84

C8

A3

A15

A1

C15

C10
Light blue
半光淡藍

C8

A40

A3

A15

C8

C10
Light blue
半光淡藍

C8

A40

A3

A15

C8

C10
Light blue
半光淡藍

C8

A40

A3

A15

C8

C10
Light blue
半光淡藍

C8

A40

A3

A15

C8

C10
Light blue
半光淡藍

C8

A40

A3

A15

C8

C10
Light blue
半光淡藍

C8

A40

A3

A15

C8

C10
Light blue
半光淡藍

C8

A40

A3

A15

C8

C10
Light blue
半光淡藍

C8

A40

A3

A15

C8

C10
Light blue
半光淡藍

C8

A40

A3

A15

C8

C10
Light blue
半光淡藍

C8

A40

A3

A15

C8

C10
Light blue
半光淡藍

C8

A40

A3

A15

C8

C10
Light blue
半光淡藍

C8

A40

A3

A15

C8

C10
Light blue
半光淡藍

C8

A40

A3

A15

C8

C10
Light blue
半光淡藍

C8

A40

A3

A15

C8

C10
Light blue
半光淡藍

C8

A40

A3

A15

C8

C10
Light blue
半光淡藍

C8

A40

A3

A15

C8

C10
Light blue
半光淡藍

C8

A40

A3

A15

C8

C10
Light blue
半光淡藍

C8

A40

A3

A15

C8

C10
Light blue
半光淡藍

C8

A40

A3

A15

C8

C10
Light blue
半光淡藍

C8

A40

A3

A15

C8

C10
Light blue
半光淡藍

C8

A40

A3

A15

C8

C10
Light blue
半光淡藍

C8

A40

A3

A15

C8

C10
Light blue
半光淡藍

C8

A40

A3

A15

C8

C10
Light blue
半光淡藍

C8

A40

A3

A15

C8

C10
Light blue
半光淡藍

C8

A40

A3

A15

C8

C10
Light blue
半光淡藍

C8

A40

A3

A15

C8

C10
Light blue
半光淡藍

C8

A40

A3

A15

C8

C10
Light blue
半光淡藍

C8

A40

A3

A15

C8

C10
Light blue
半光淡藍

C8

A40

A3

A15

C8

C10
Light blue
半光淡藍

C8

A40

A3

A15

C8

C10
Light blue
半光淡藍

C8

A40

A3

A15

C8

C10
Light blue
半光淡藍

C8

A40

A3

A15

C8

C10
Light blue
半光淡藍

C8

A40

A3

A15

C8

C10
Light blue
半光淡藍

C8

A40

A3

A15

C8

C10
Light blue
半光淡藍

C8

A40

A3

A15

C8

C10
Light blue
半光淡藍

C8

A40

A3

A15

C8

C10
Light blue
半光淡藍

C8

A40

A3

A15

C8

C10
Light blue
半光淡藍

C8

A40

A3

A15

C8

C10
Light blue
半光淡藍

C8

A40

A3

A15

C8

C10
Light blue
半光淡藍

C8

A40

A3

A15

C8

C10
Light blue
半光淡藍

C8

A40

A3

A15

C8

C10
Light blue
半光淡藍

C8

A40

A3

A15

C8

C10
Light blue
半光淡藍

C8

A40

A3

A15

C8

C10
Light blue
半光淡藍

C8

A40

A3

A15

C8

C10
Light blue
半光淡藍

C8

A40

A3

A15

C8

C10
Light blue
半光淡藍

C8

A40

A3

A15

C8

C10
Light blue
半光淡藍

C8

A40

A3

A15

Painting & marking Guide

塗裝與水貼

SU-22 UM3K, 98+16, 17532371001, WTD-61, Manching, Germany, 1994

C10
WOOD BROWN
木棕色

C11
RLM 79 SAND YELLOW
RLM 79 沙黃

C12
CLEAR RED
透明紅

C13
FIELD GREEN FS34097
原野綠 FS34097

C14
FIELD GRAY
原野灰

C15
BRONZING
紅褐色

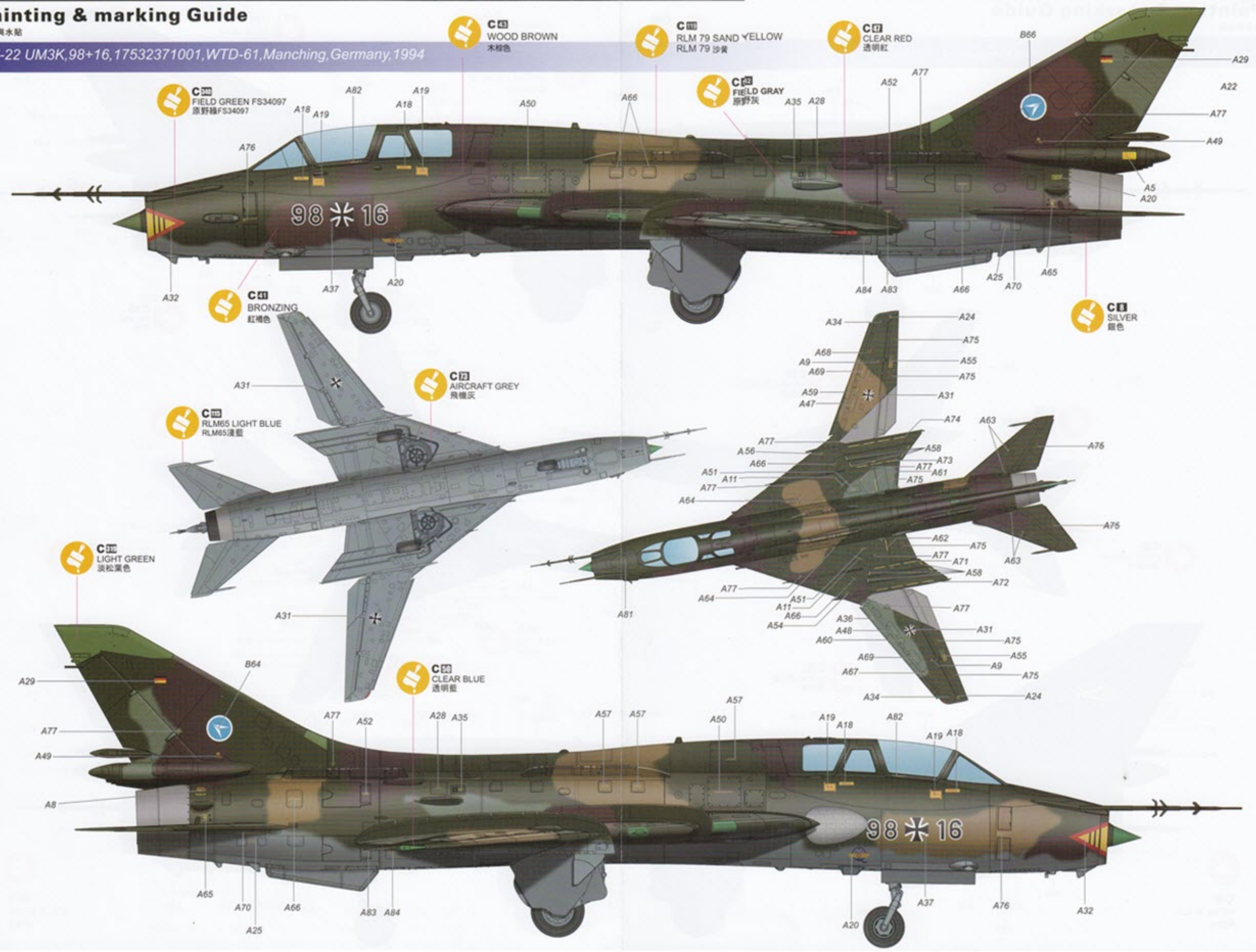
C16
AIRCRAFT GREY
飛機灰

C17
RLM65 LIGHT BLUE
RLM65 淺藍

C18
LIGHT GREEN
淡松葉色

C19
CLEAR BLUE
透明藍

C20
SILVER
銀色



Painting & marking Guide

塗裝與水貼

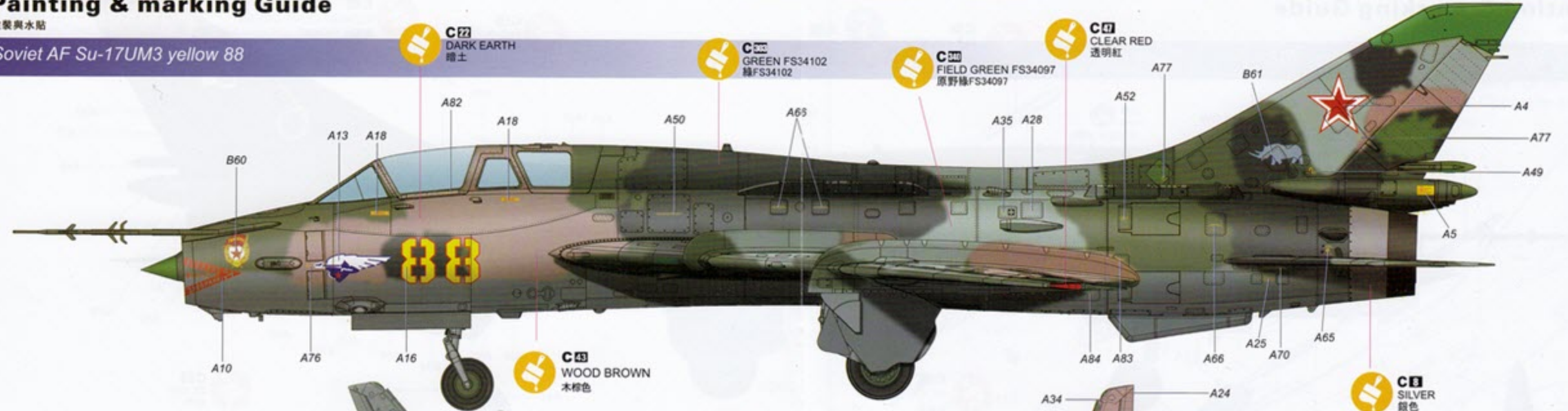
Soviet AF Su-17UM3 yellow 88

C72
DARK EARTH
暗土

C73
GREEN FS34102
綠FS34102

C74
FIELD GREEN FS34097
原野綠FS34097

C75
CLEAR RED
透明紅



C76
WOOD BROWN
木棕色

C77
SILVER
銀色

C78
RLM65 LIGHT BLUE
RLM65淺藍

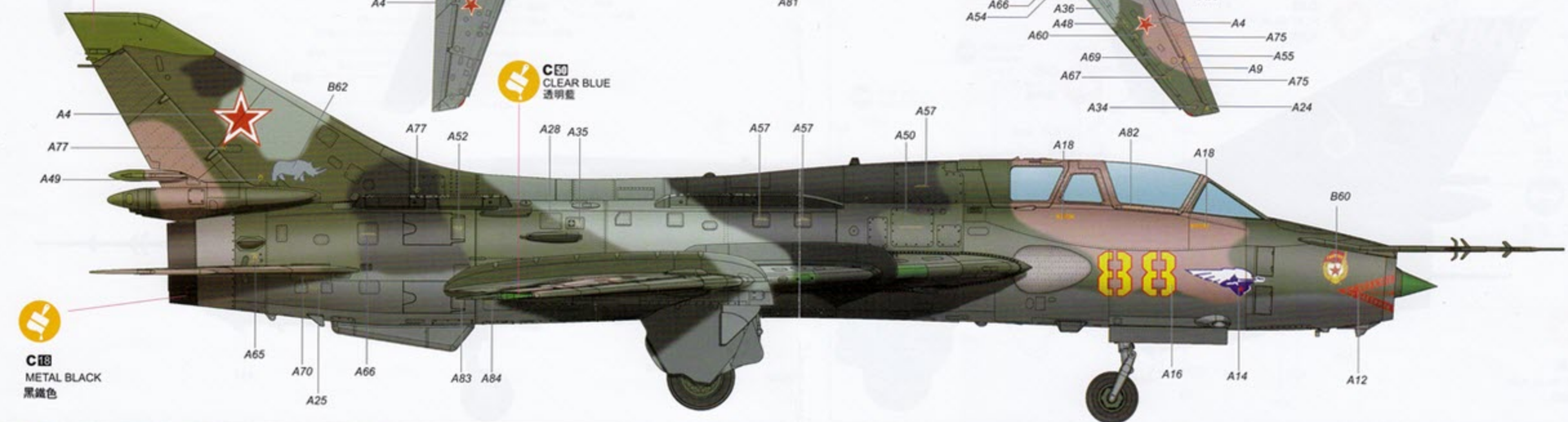
C79
AIRCRAFT GREY
飛機灰

C80
LIGHT GREEN
淡松葉色



C81
CLEAR BLUE
透明藍

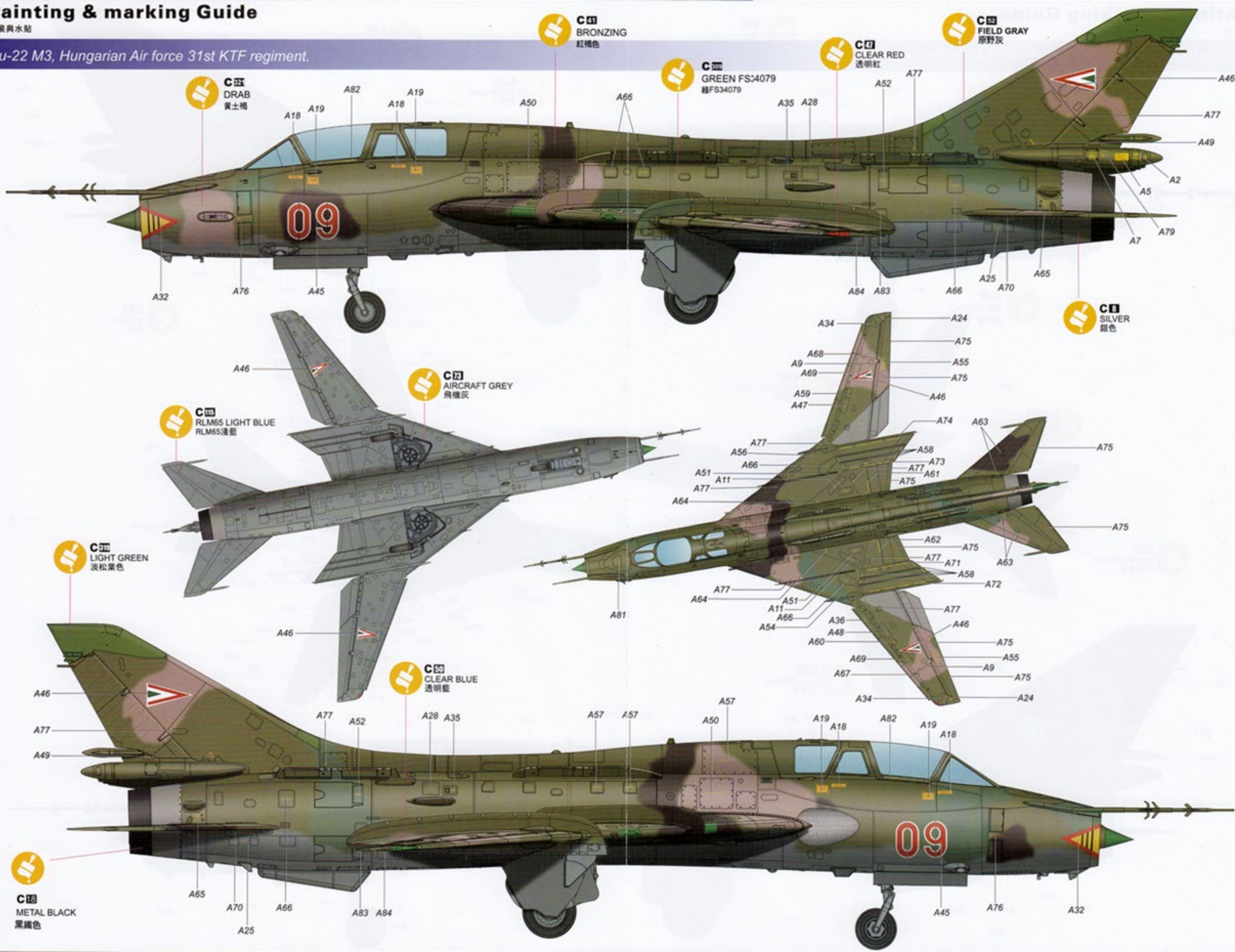
C82
METAL BLACK
黑鐵色



Painting & marking Guide

塗裝與水貼

Su-22 M3, Hungarian Air force 31st KTF regiment.



Painting & marking Guide

塗裝與水貼

Su-22M4, Czech Air force 32nd TAWing, 322nd TRSqN, Prerov AB, IAT 94.

C10
OLIVE GREEN
橄欖綠

C11
BRONZING
紅褐色

C12
DRAB
黃土褐

C13
CLEAR RED
透明紅

C14
SILVER
銀色

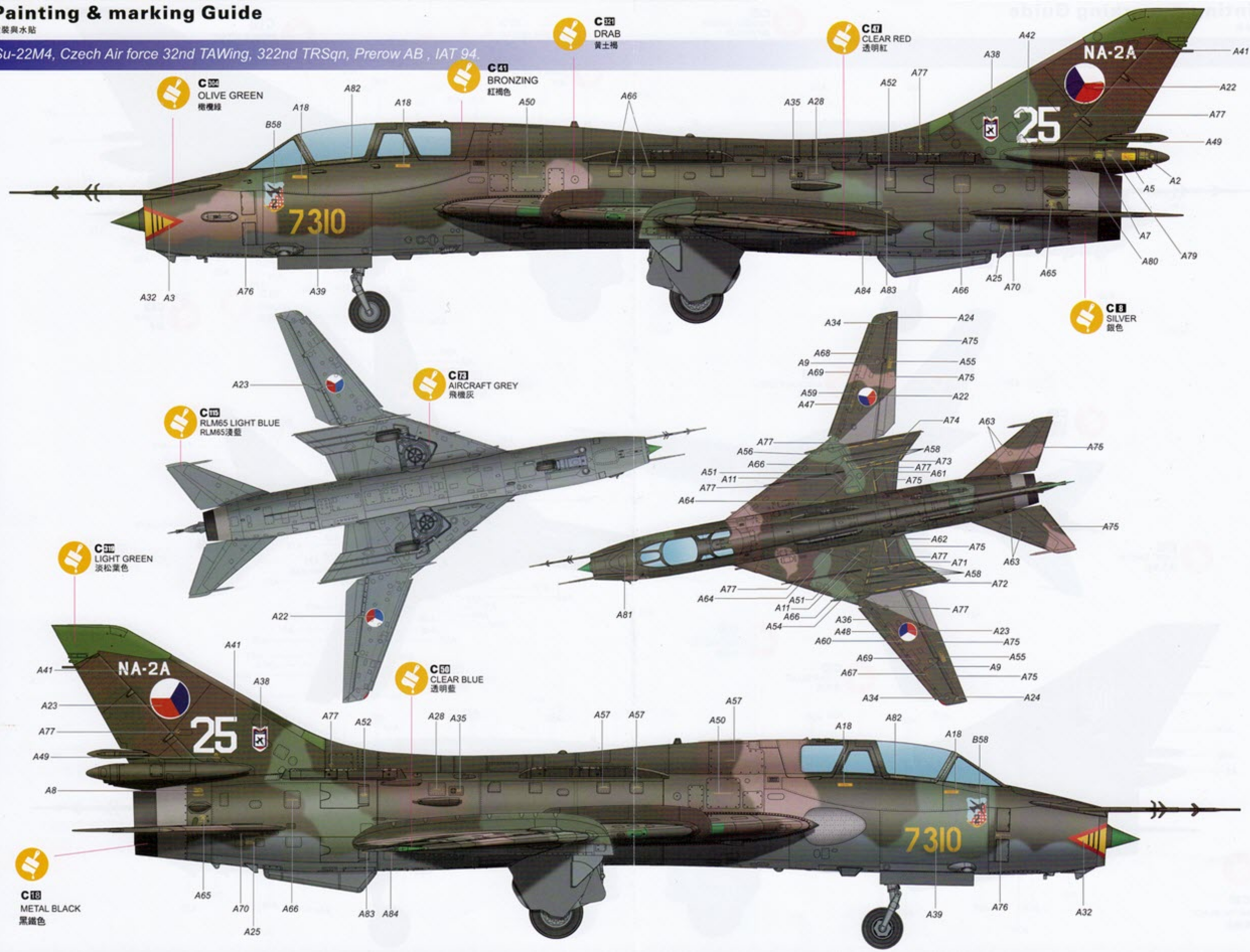
C15
RLM65 LIGHT BLUE
RLM65淺藍

C16
AIRCRAFT GREY
飛機灰

C17
LIGHT GREEN
淡松葉色

C18
CLEAR BLUE
透明藍

C19
METAL BLACK
黑鐵色



Painting & marking Guide

塗裝與水貼

Weapons.

BETAB-500



C115
RLM65 LIGHT BLUE
RLM65淺藍



B17 B18

UB-32



B37

B38

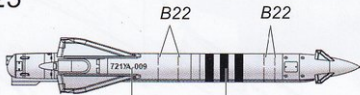


C8
SILVER
銀色



B38 B39

KH-23



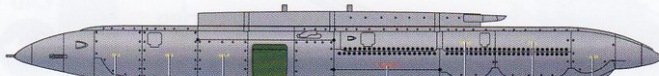
B21 B23

B22

B22



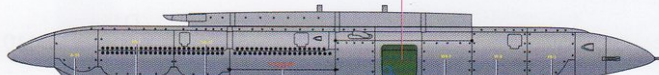
KKR-1/2 Recognize Pod



B45 B46 B47 B51 B48 B49 B50

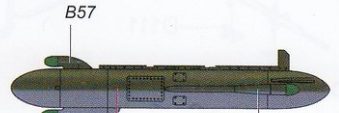


C119
LIGHT GREEN
淡松葉色



B50 B49 B48 B51 B47 B46 B45

SPS141MVG-E

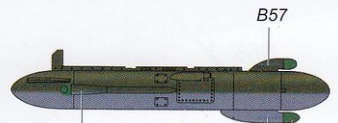


B57

B54



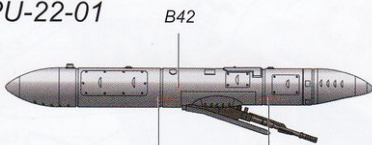
C240
FIELD GREEN FS34097
原野綠FS34097



B54

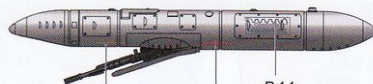
B57

SPPU-22-01



B43 B43

B42



B43 B43 B44

TANK



B56



B56

S-24



B30

