

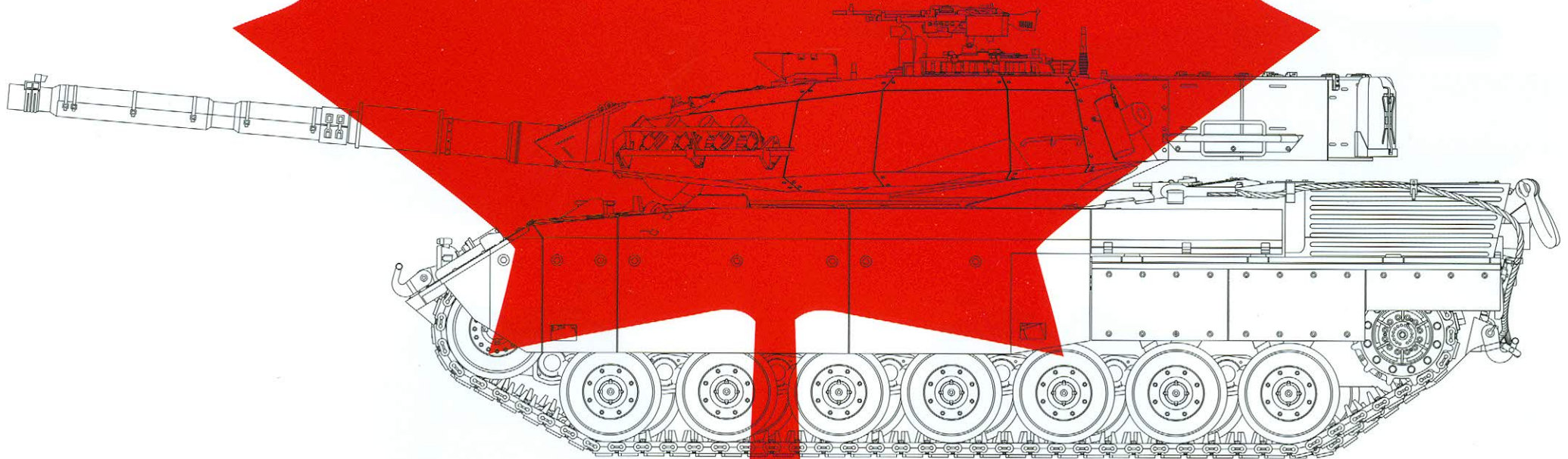
## CANADIAN MAIN BATTLE TANK

# LEOPARD C2 MEXAS

PROTO VERSION

In 2006, a Squadron of fifteen Leopard C2 main battle tanks fitted with Modular Expandable Armor System (MEXAS), a ceramic composite armour kit, deployed to Afghanistan for combat operations. During the Afghanistan mission the Leopard C2 MEXAS tanks were fitted with dozer blades, mine plows, and mine rollers. Over time the tanks received upgrades that included thermal covers, a cooling unit, and an electronic counter measures device. The tanks fought enemy forces, provided convoy protection, and supported Provincial Reconstruction Teams from December 2006 until they were withdrawn in July 2011.

The Leopard C2 is expected to be retired from the Canadian Army and replaced by the new Canadian Leopard 2A4, 2A4M, and 2A6M between 2014 and 2015.[Jason Bobrowich 2013]



Special thanks to Mr.Jason Bobrowich for his help to this project.  
Mr.Jason used to serve in the army in Afghanistan as the C2 MEXAS commander.

# READ BEFORE ASSEMBLY

## CAUTION

- Read carefully and fully understand the instructions before commencing assembly. A supervising adult should also read the instructions if a child assembles the model.
- When assembling this kit, tools including knives used. Extra care should be taken to avoid personal injury.
- Keep out of reach of small children. Children must not be allowed to suck any part, or pull vinyl bag over their heads.



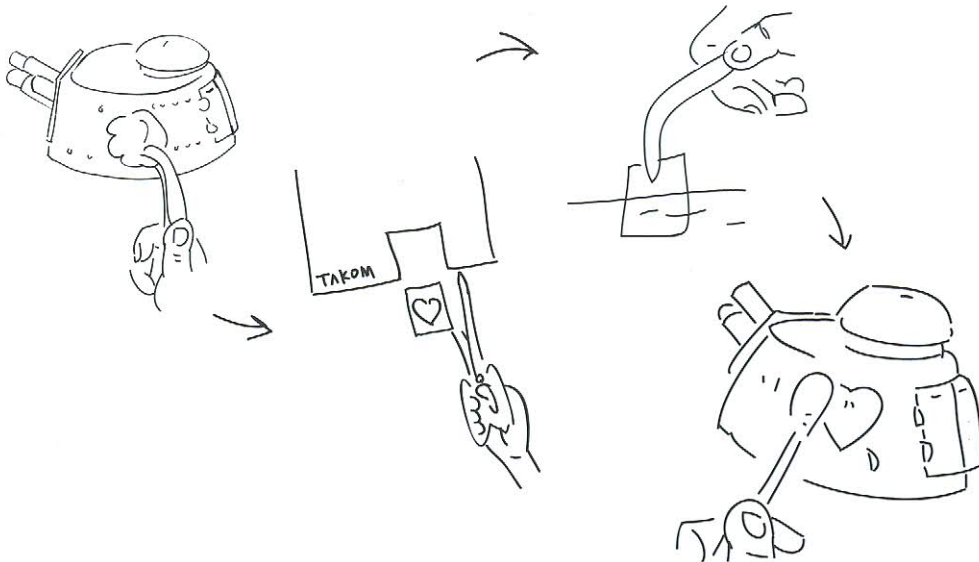
## PAINTS REQUIRED

- XF-1 Flat Black
- XF-3 Flat Yellow
- XF-57 Buff
- XF-58 Olive Green
- X-9 Brown
- X-10 Gun Metal
- X-11 Chrome Sliver

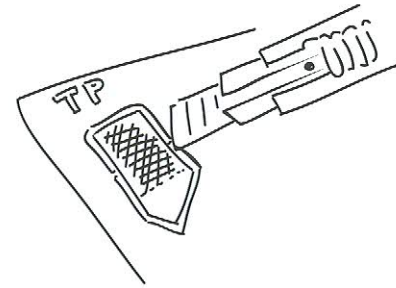
- All the hull & turret parts' main color is XF-58+XF57+XF3

## APPLYING DECALS

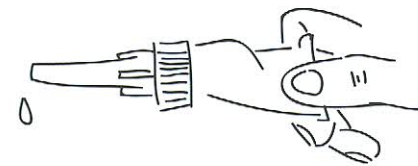
1. Clean the model surface with a wet cloth.
2. Cut out each decal design from sheet, and dip it in tepid water for 15~20 sec.
3. Hold the backing sheet edge and slide decal onto the model.
4. Move decal into position by wetting decal with finger.
5. Press decal gently down with a soft cloth until excess water and air bubbles are gone.



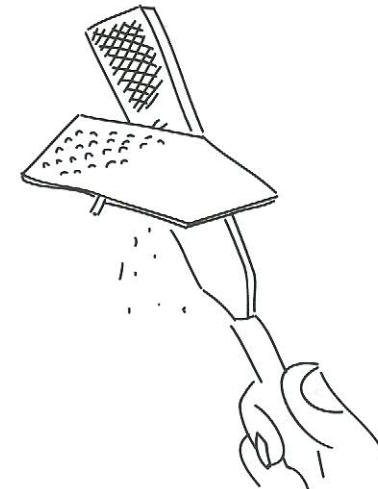
## REMOVING PE



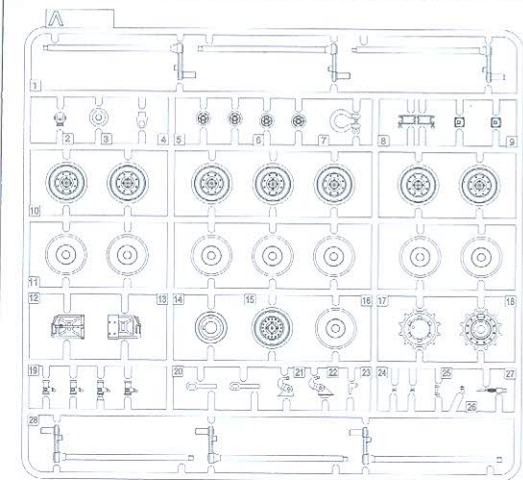
Be careful not to hurt when removing PE parts.



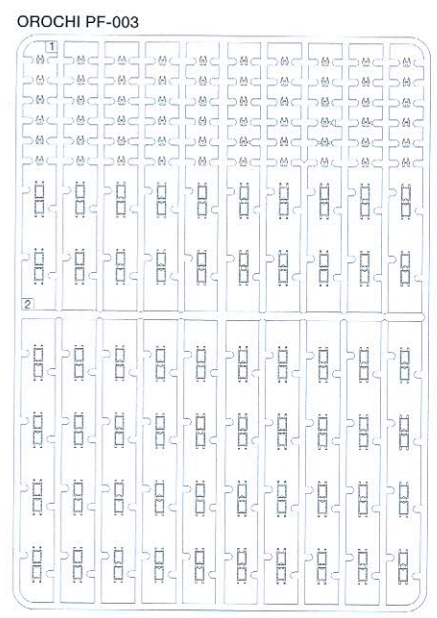
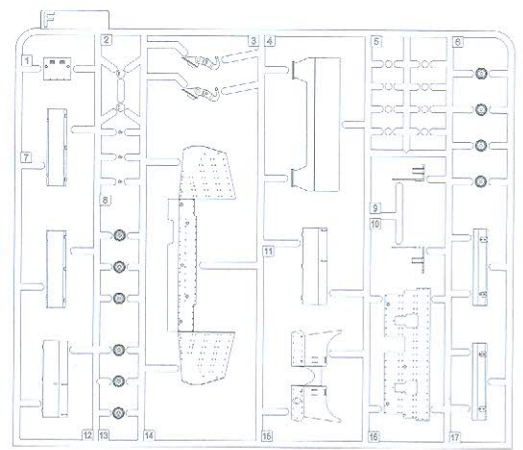
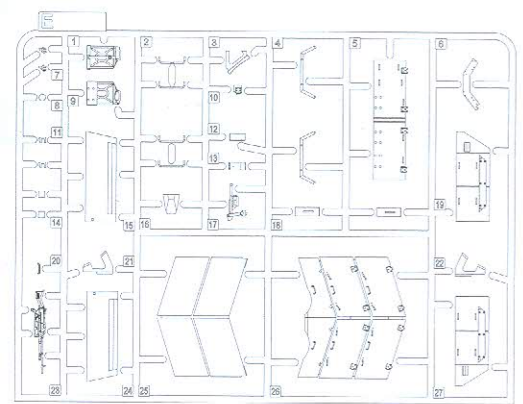
Secure using instant glue (not included).



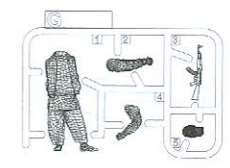
Finish using file.



x2



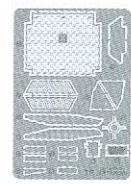
x3



Decal



PE



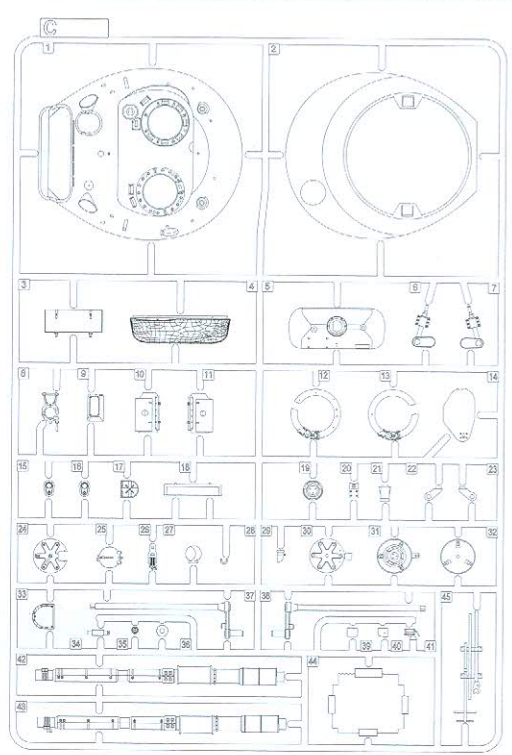
Rope



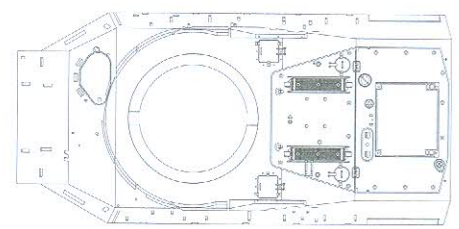
Clear Parts



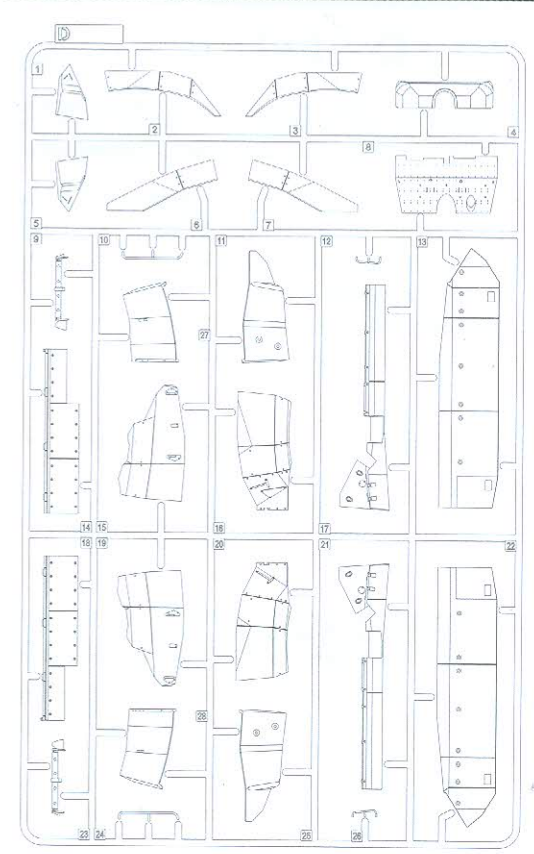
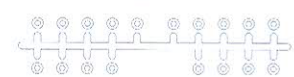
**PARTS**



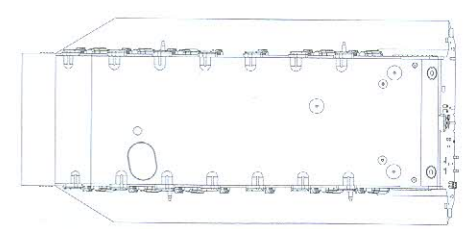
Upper Hull



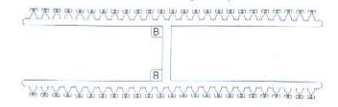
Poly Cap



Lower Hull

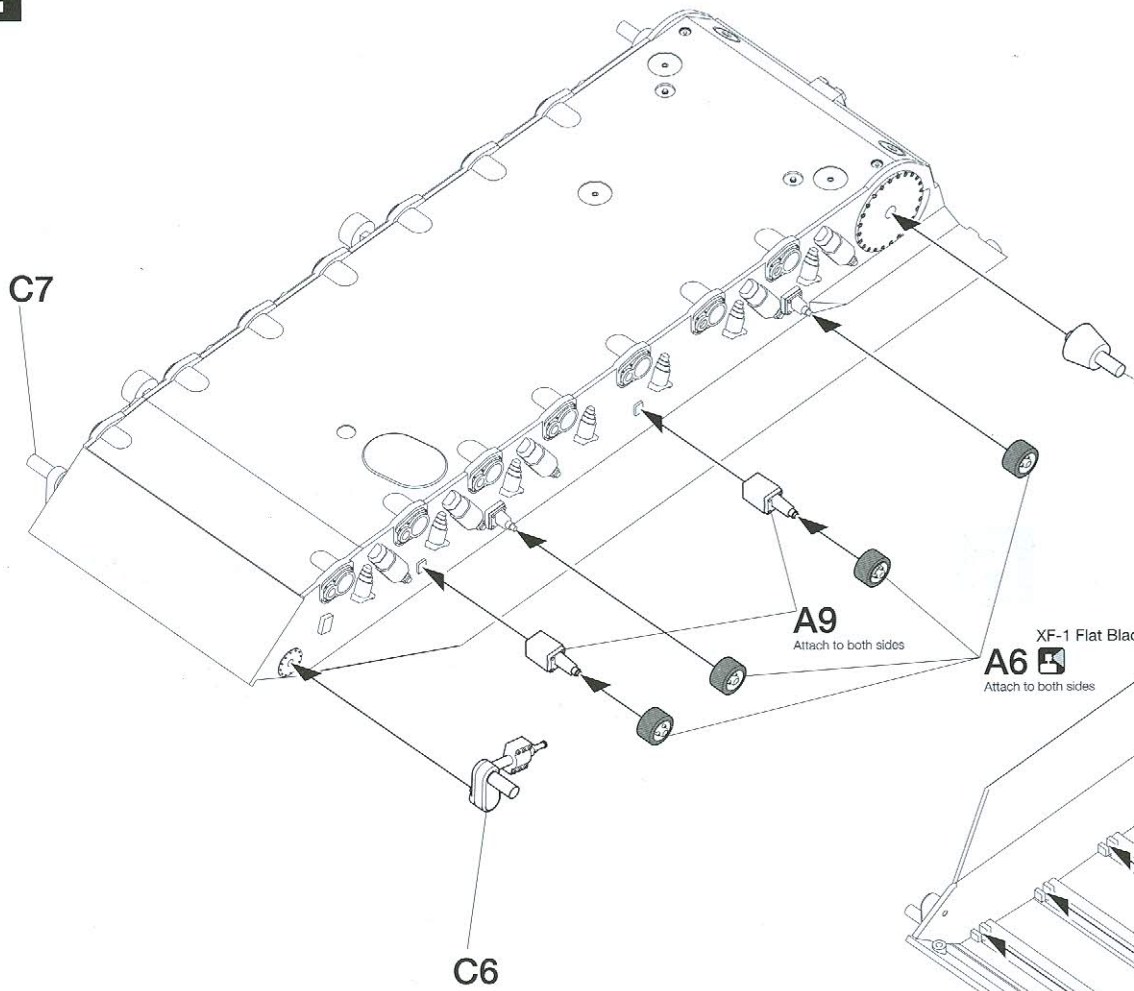


OROCHI PF-003 Poly Cap B

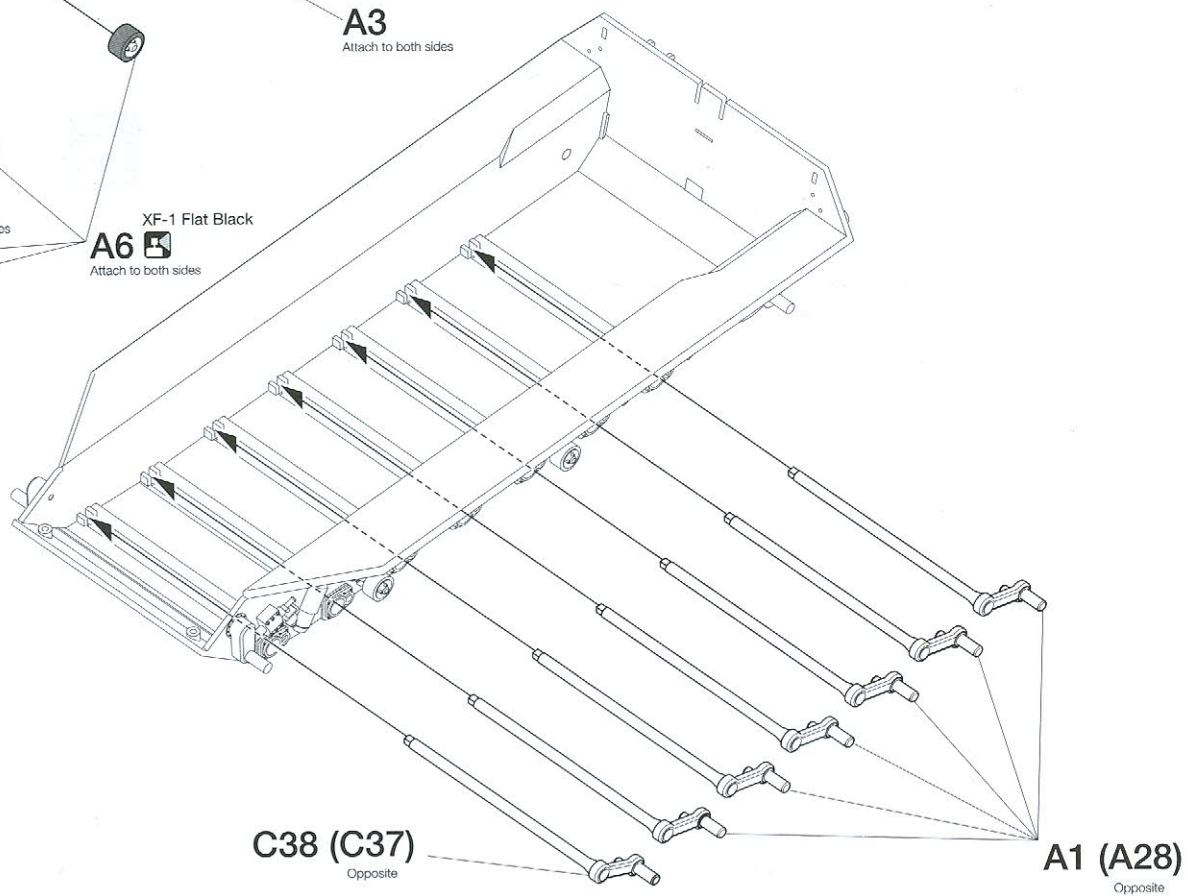
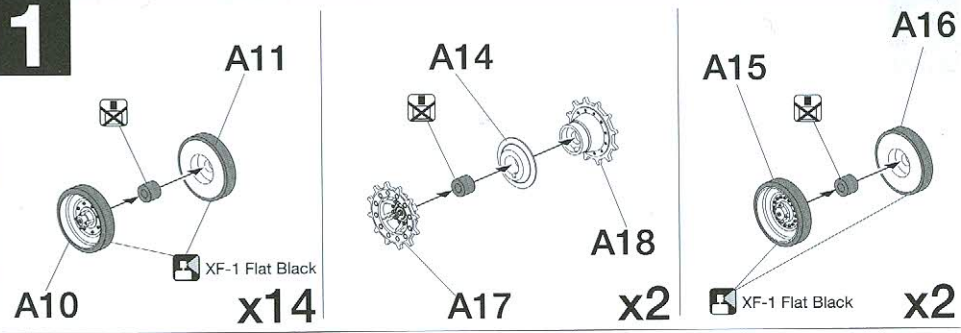


x7

2

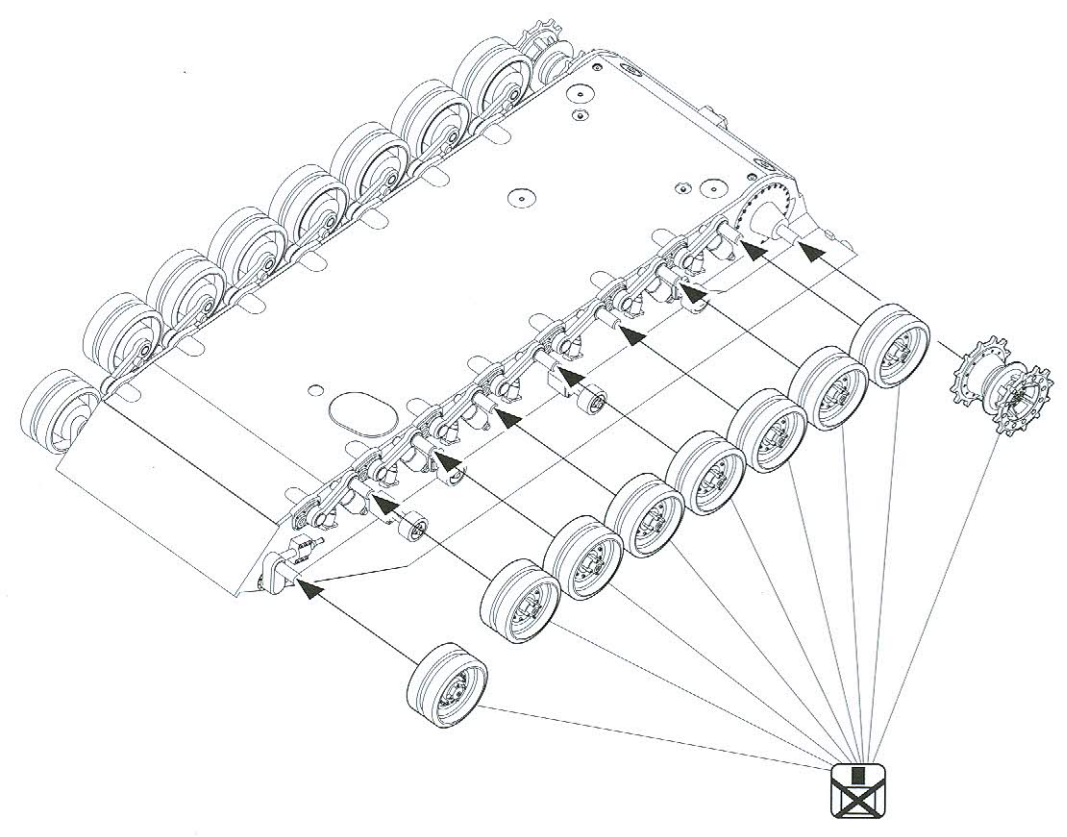


1

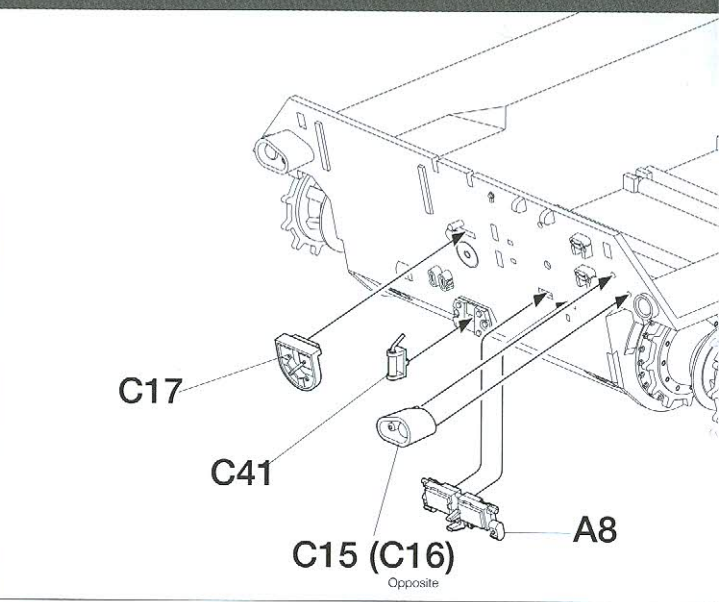
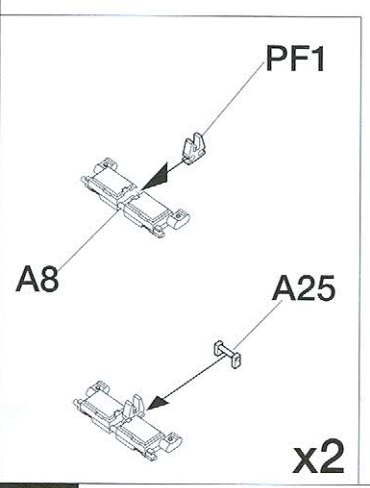


3

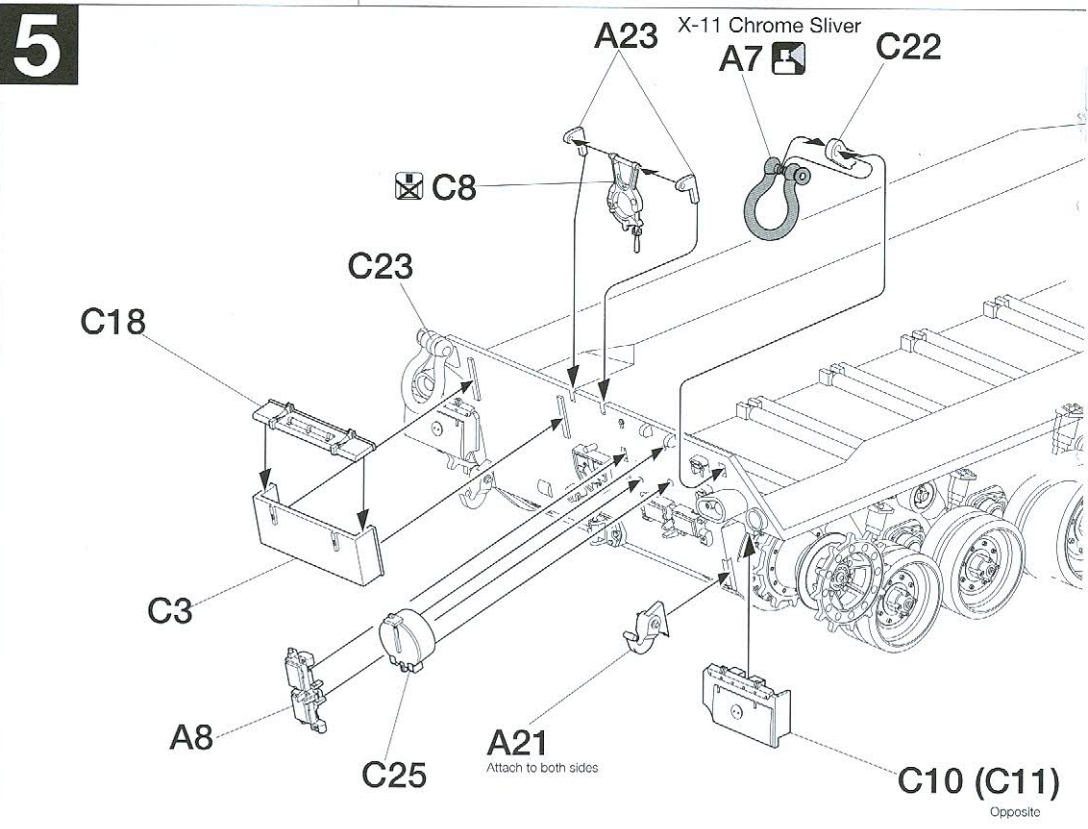
3



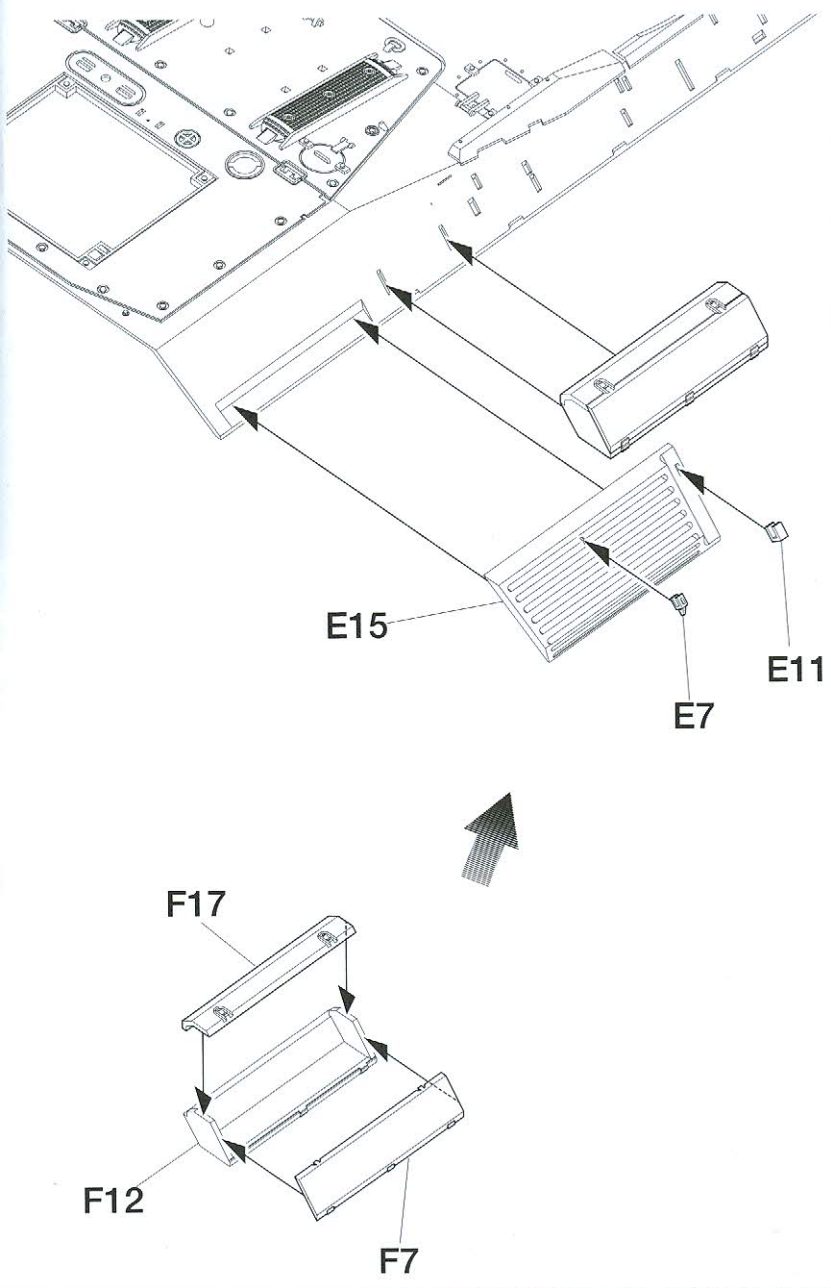
4



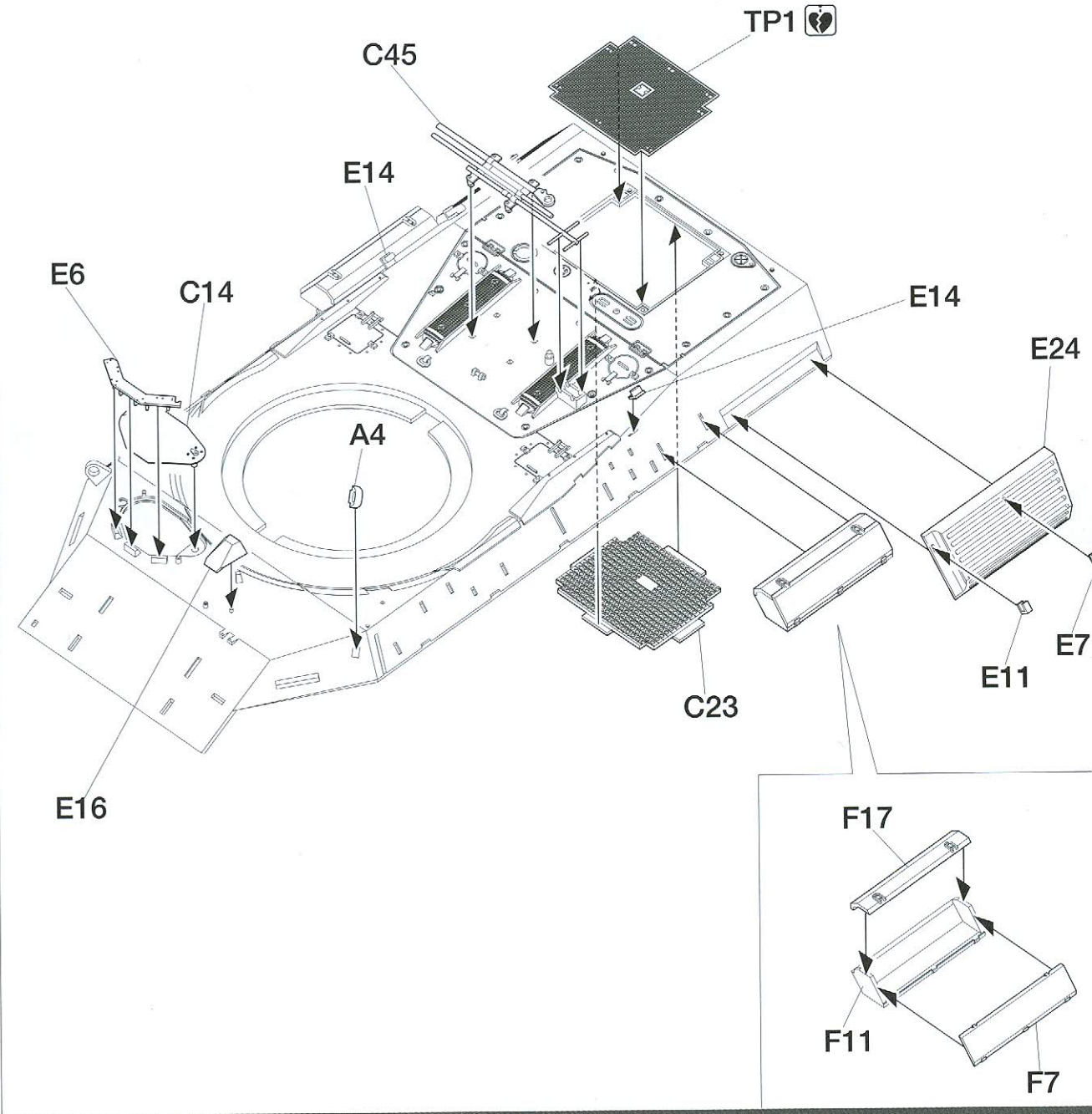
5



6

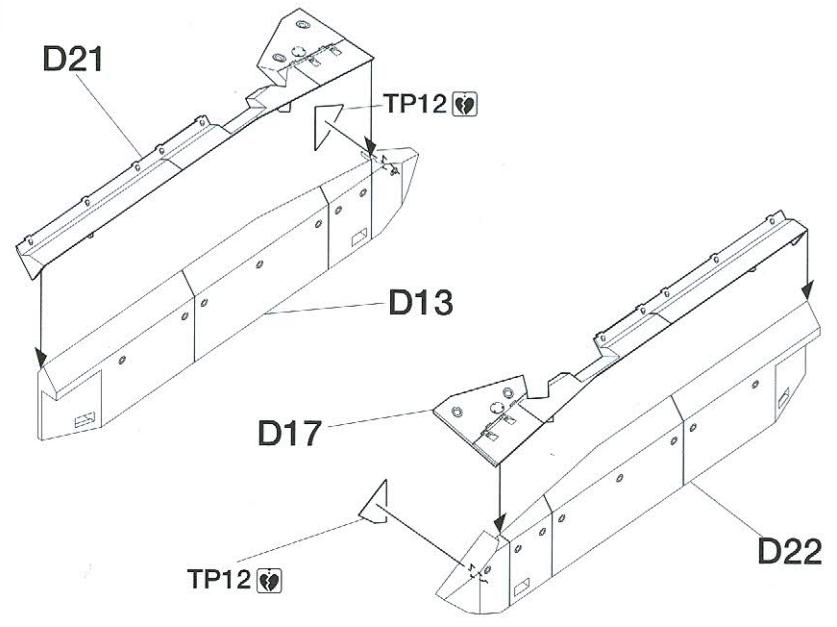


7

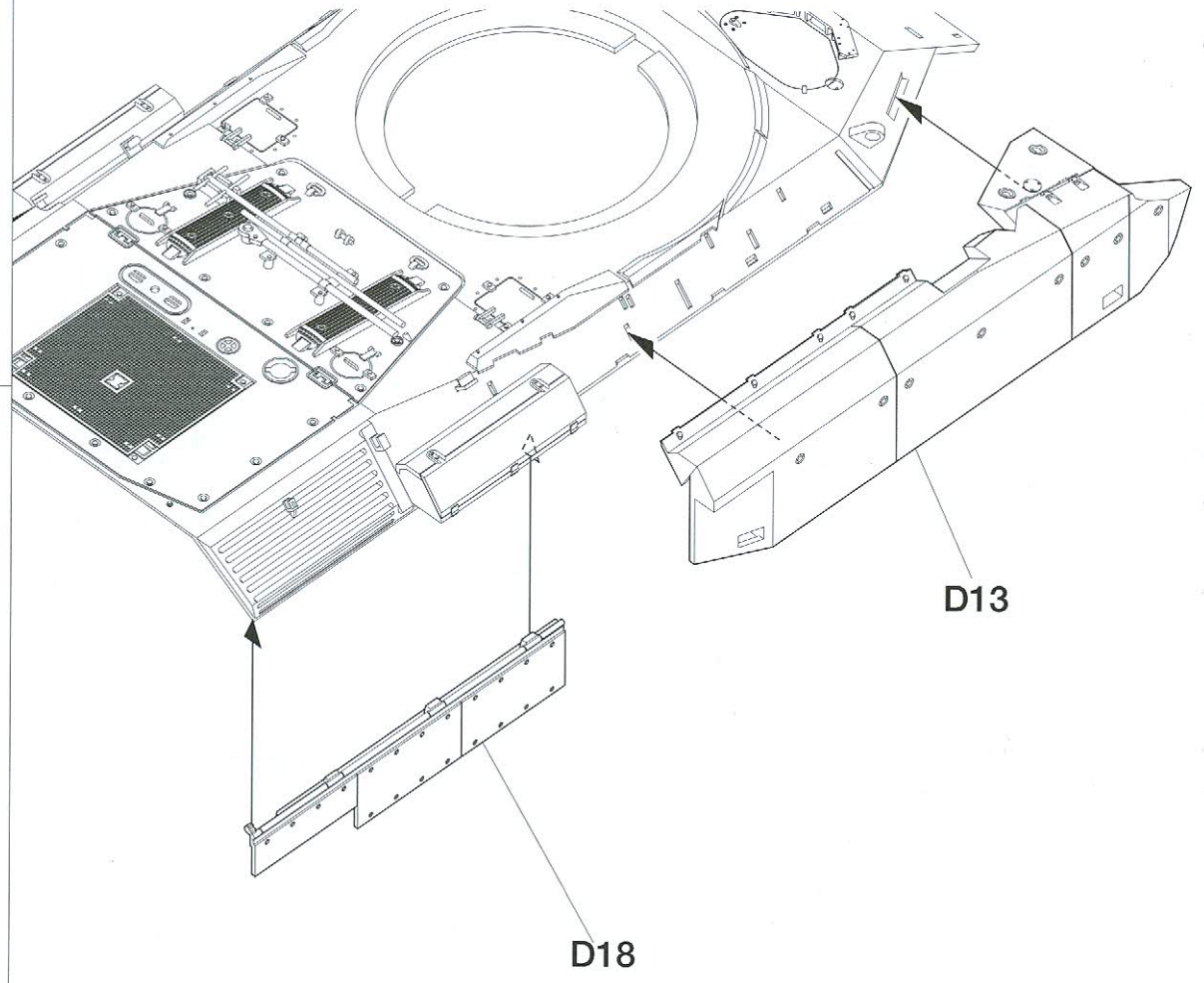


5

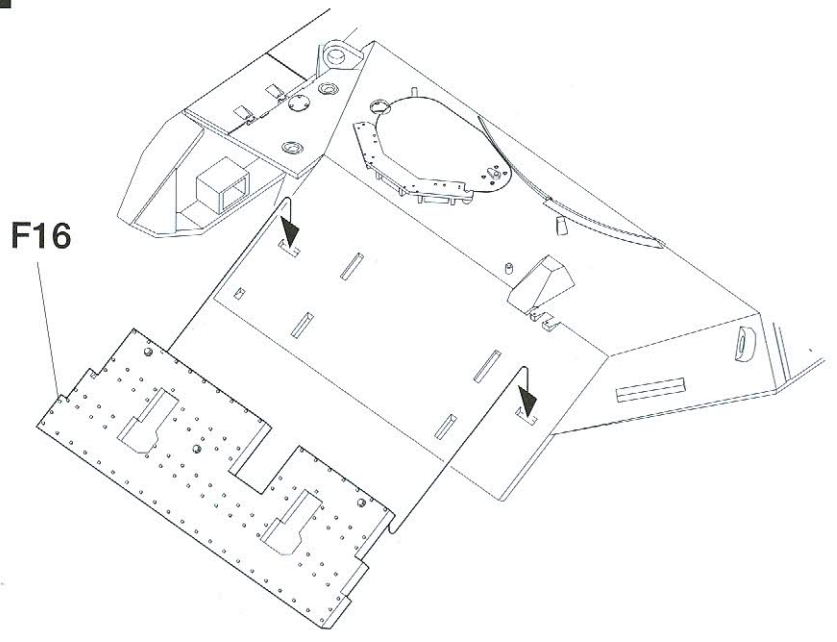
8



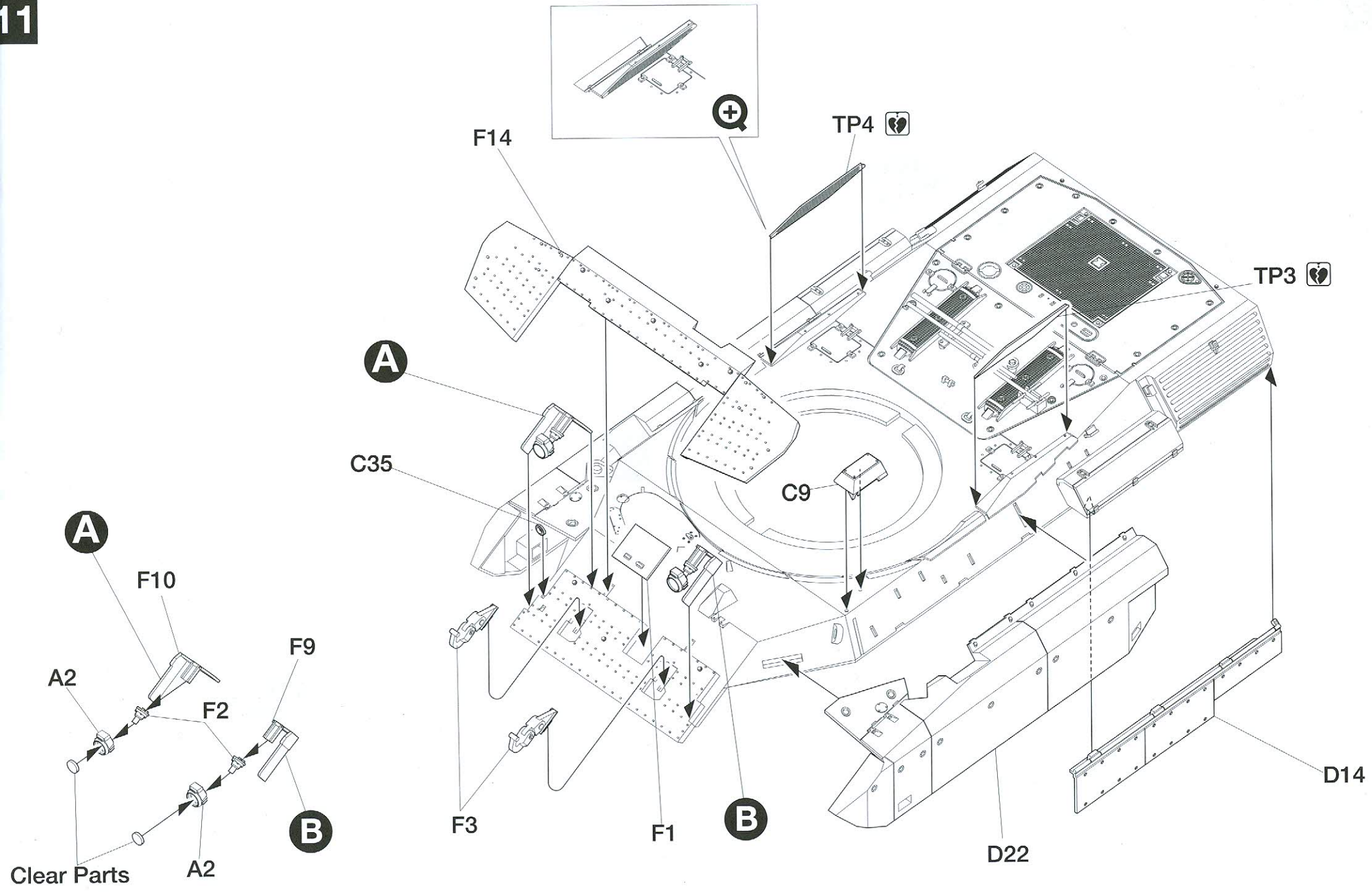
9



10







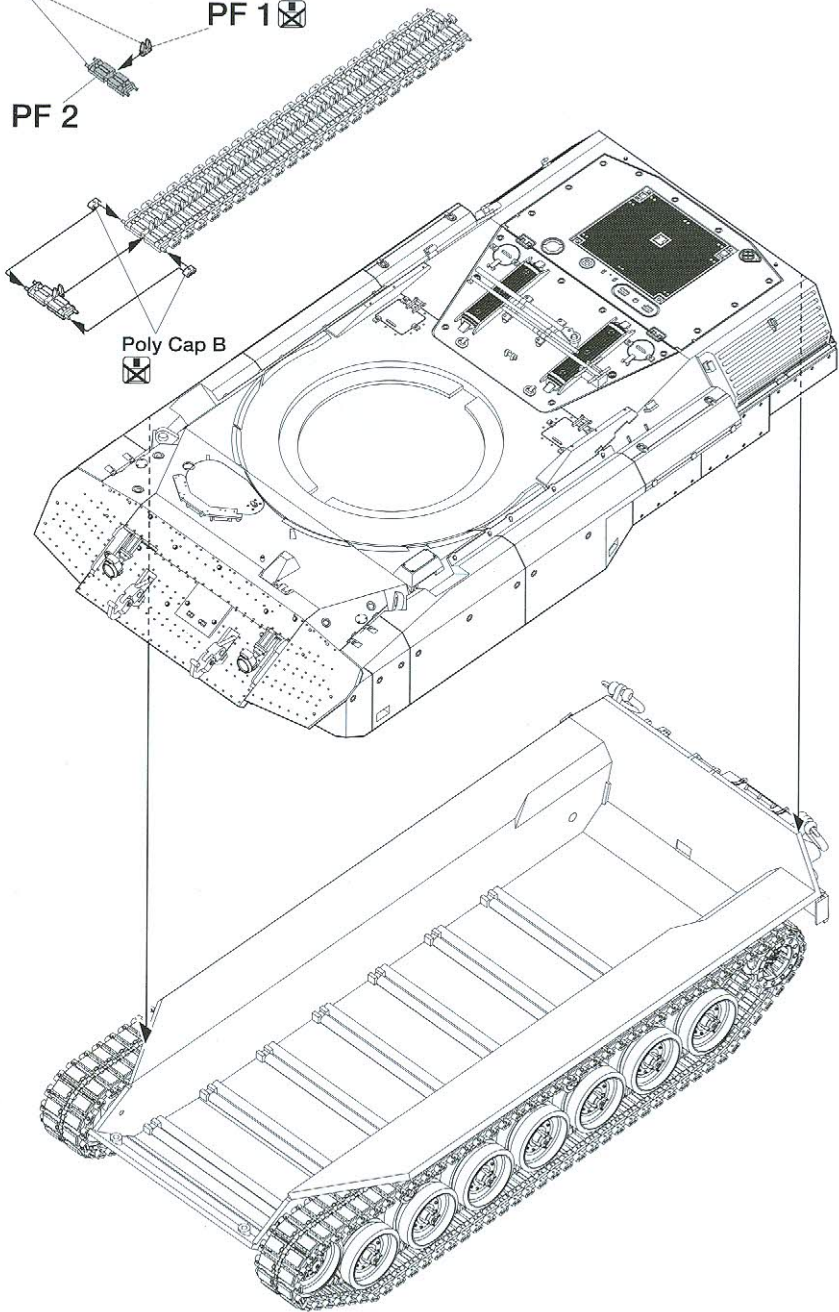
12

X-10 Gun Metal

PF 1

PF 2

Poly Cap B

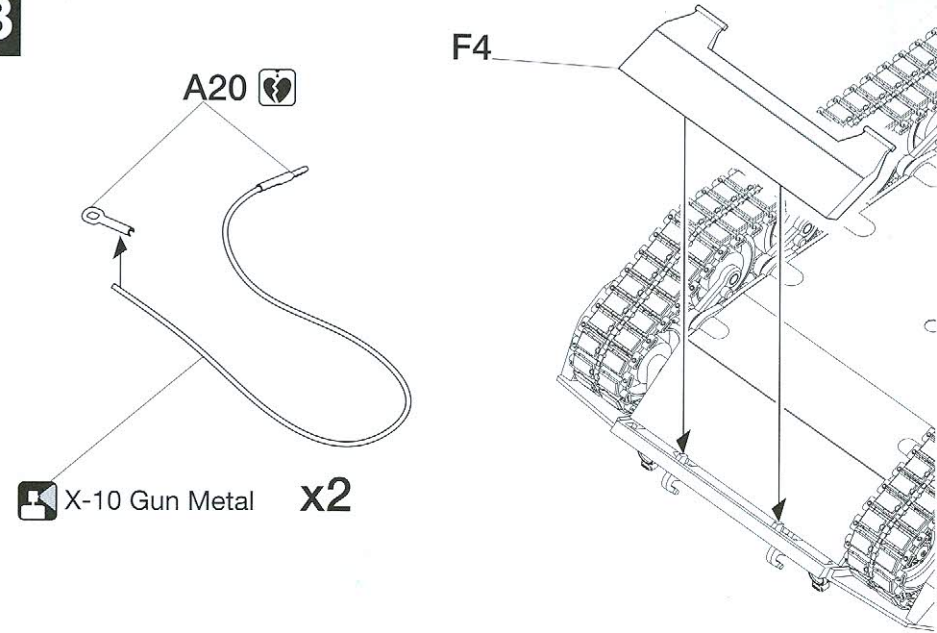


13

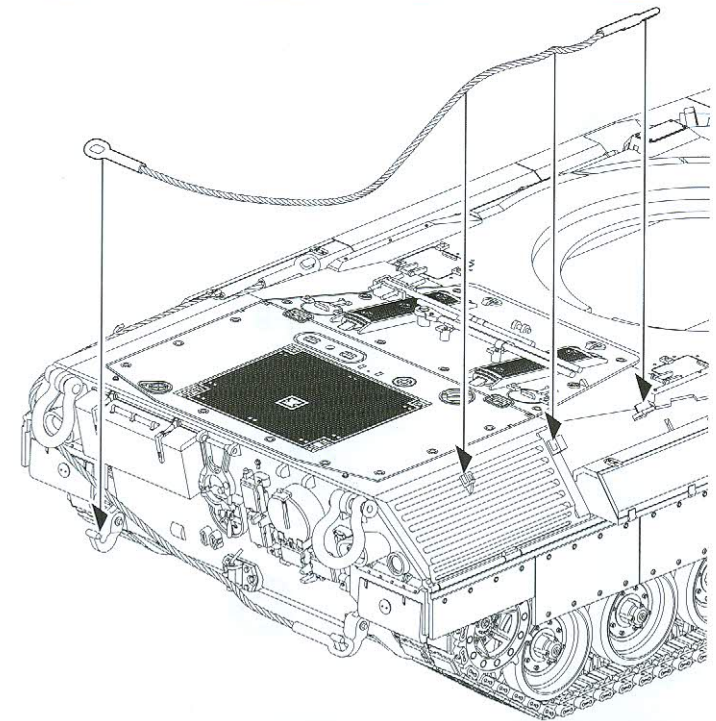
A20

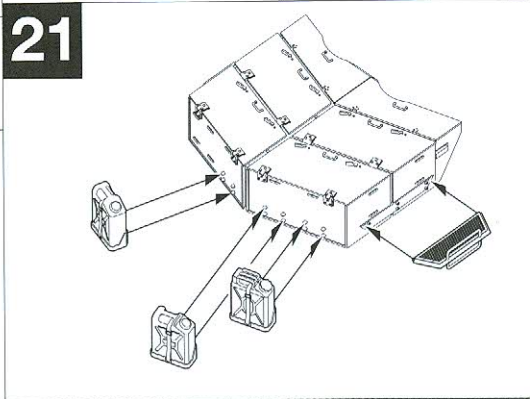
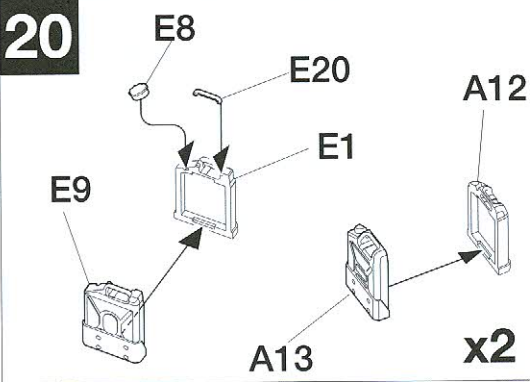
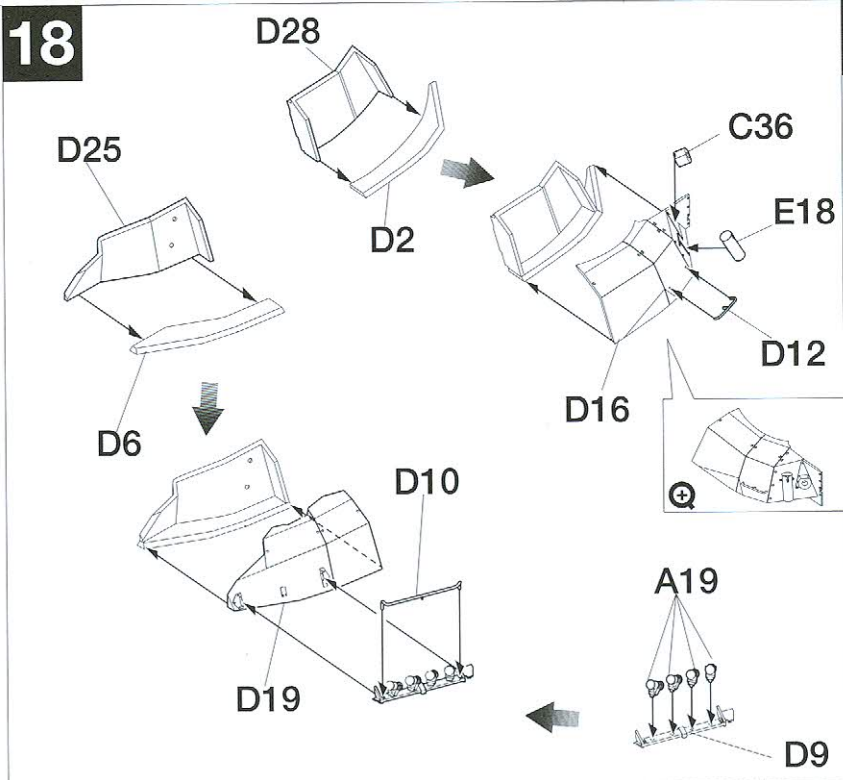
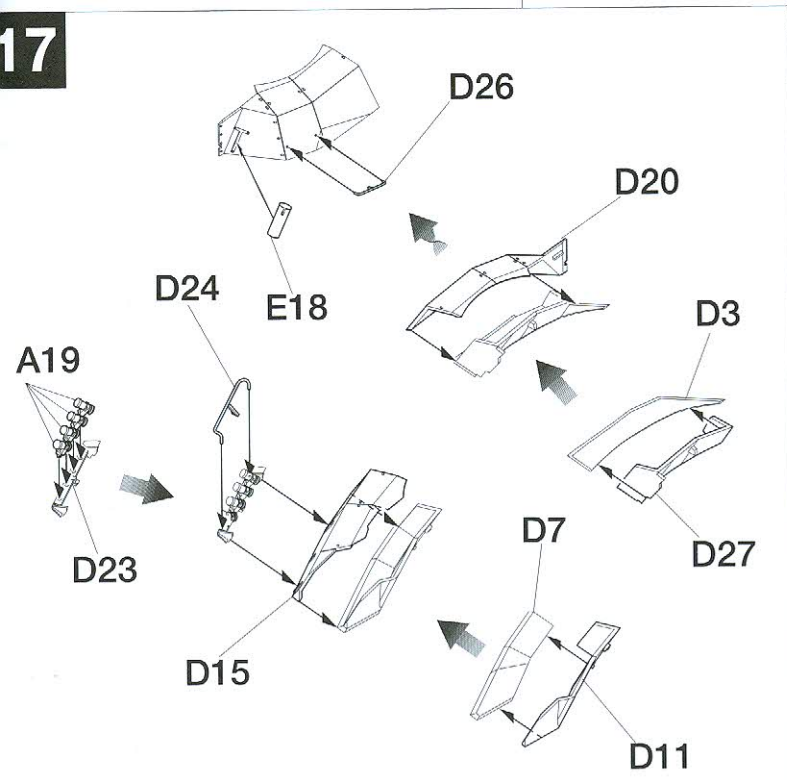
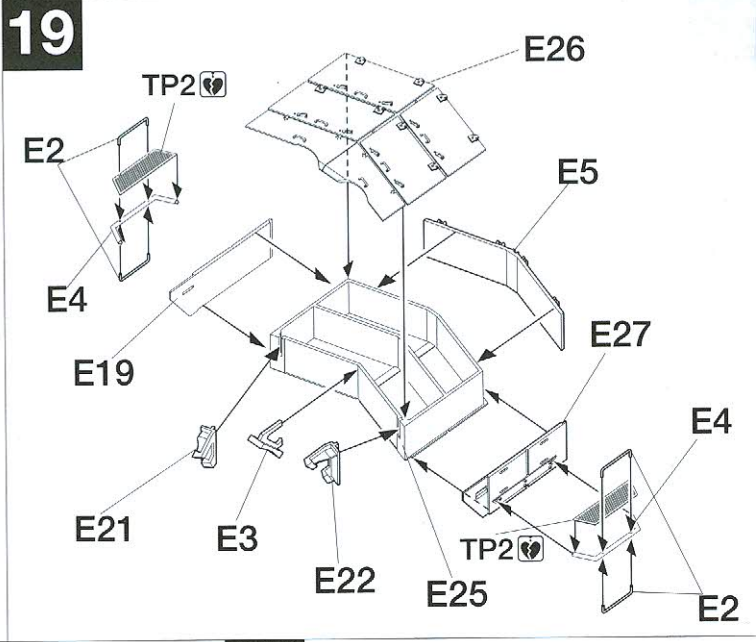
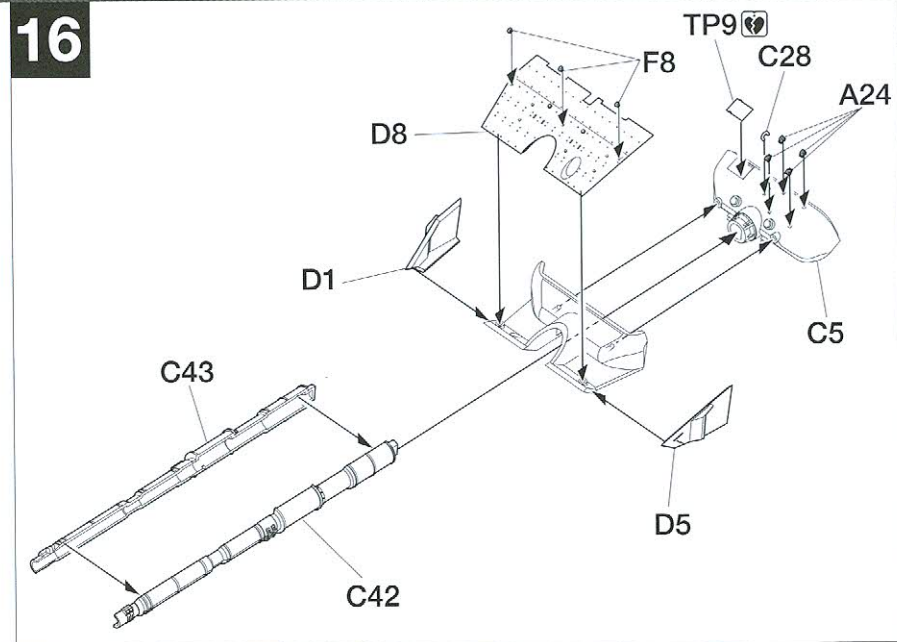
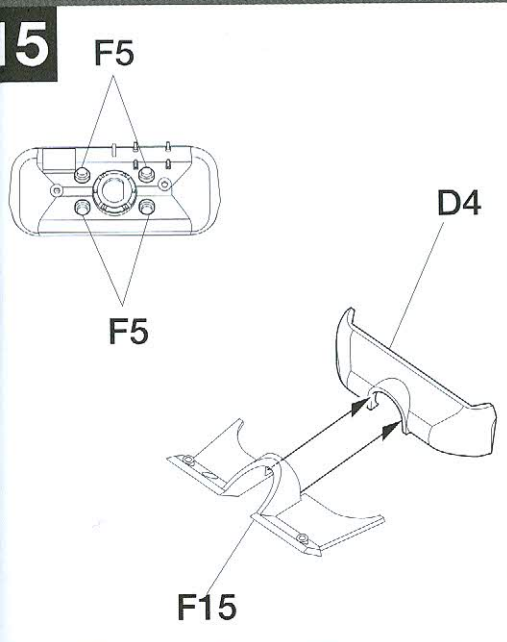
F4

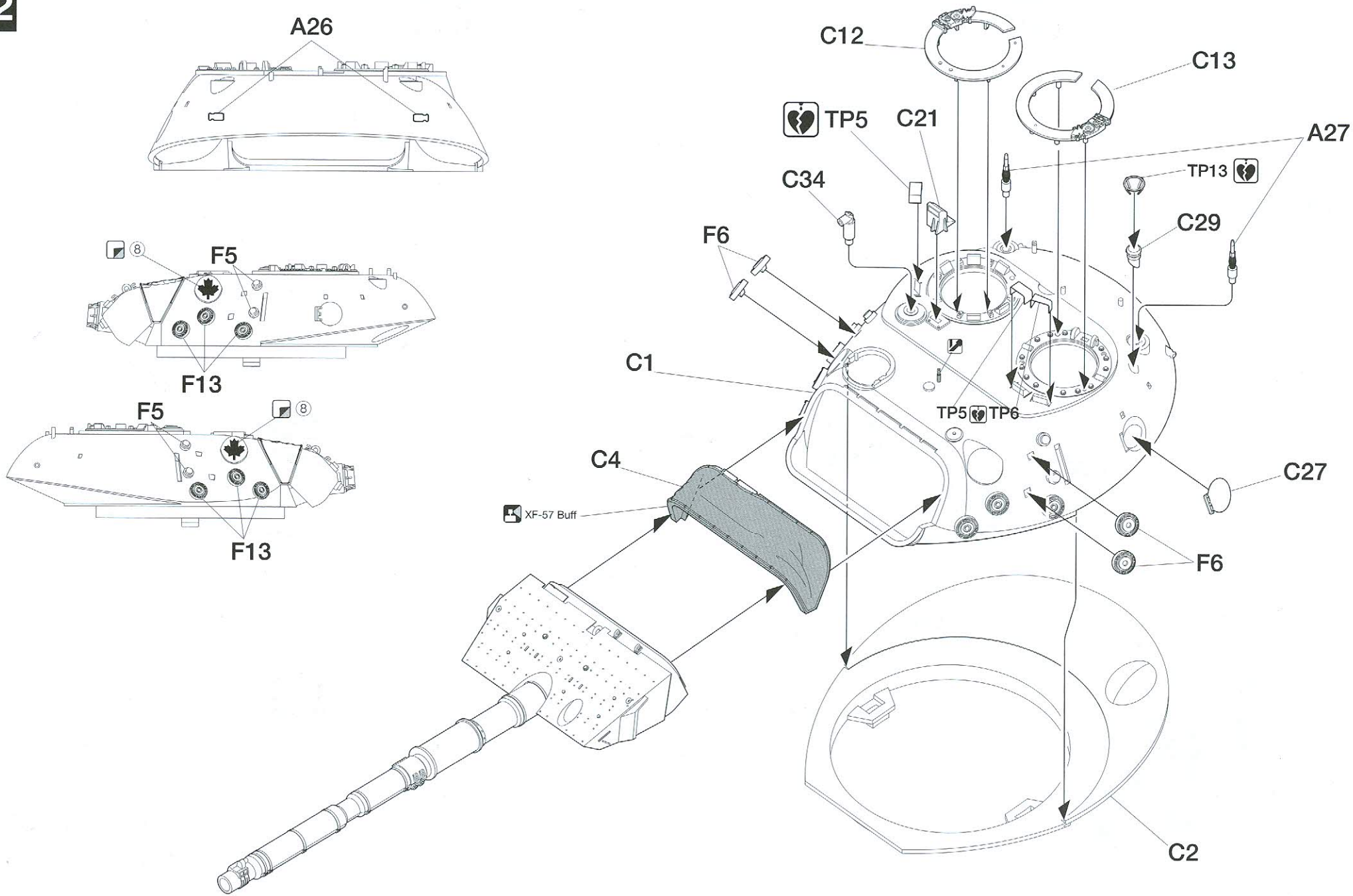
X-10 Gun Metal x2

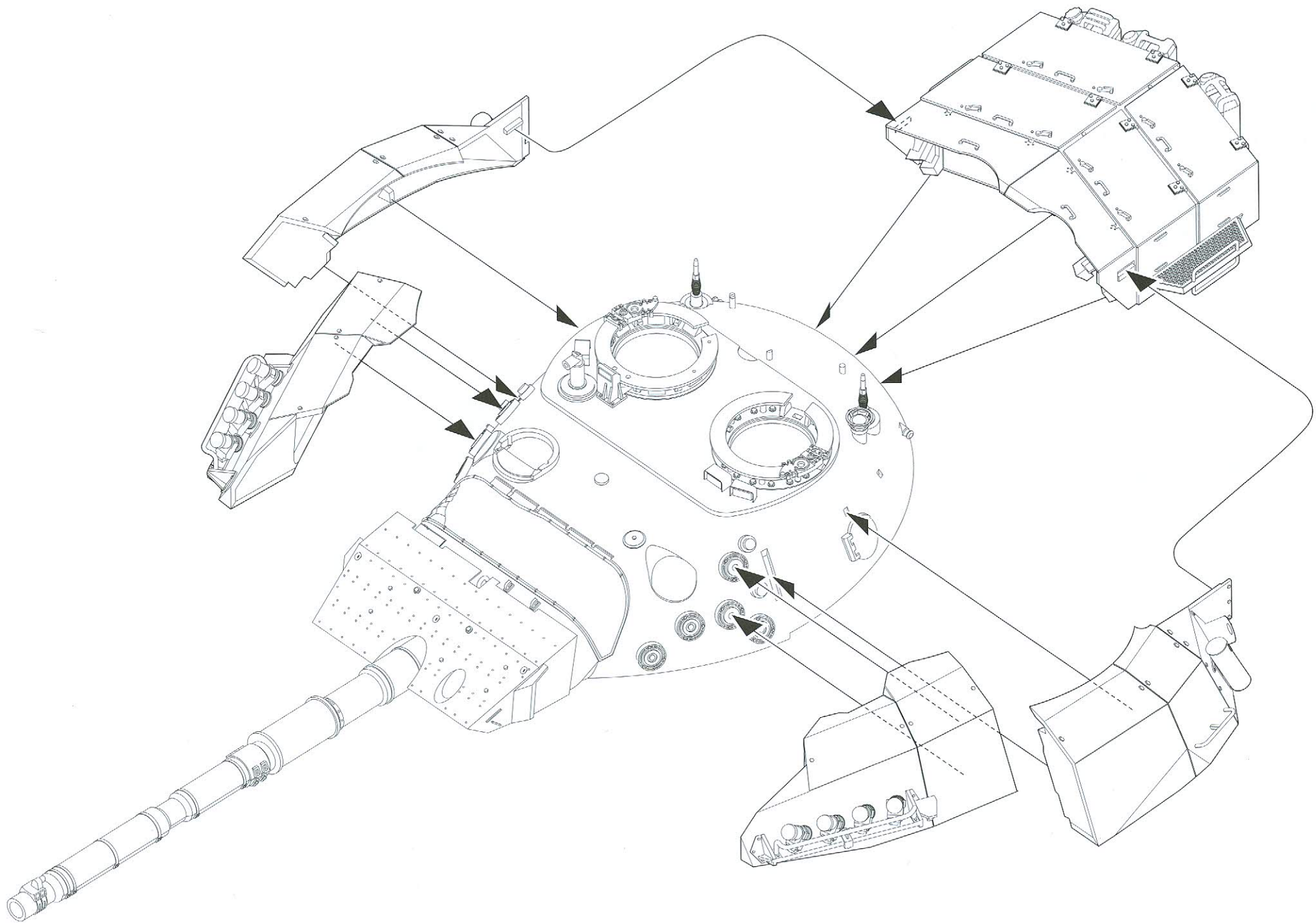


14

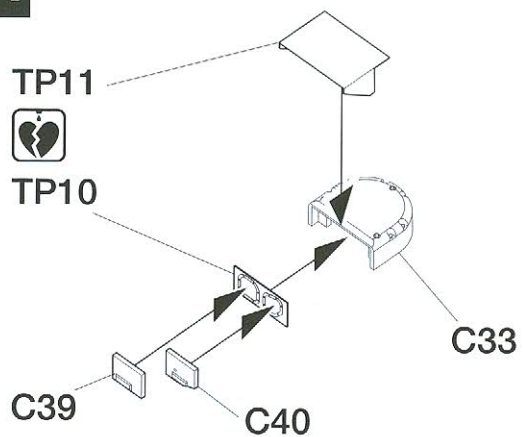




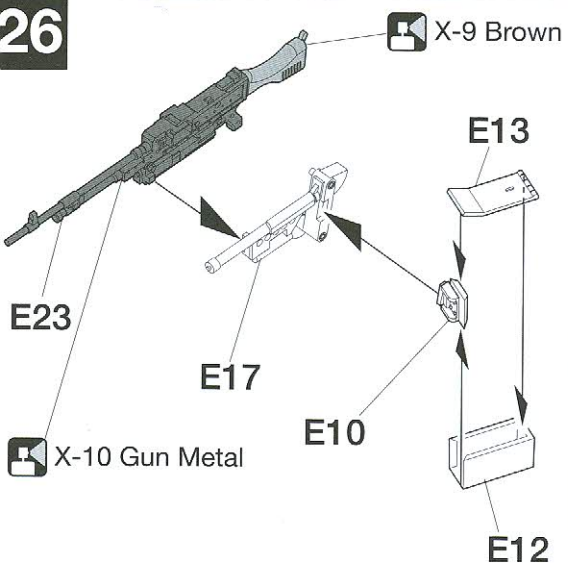




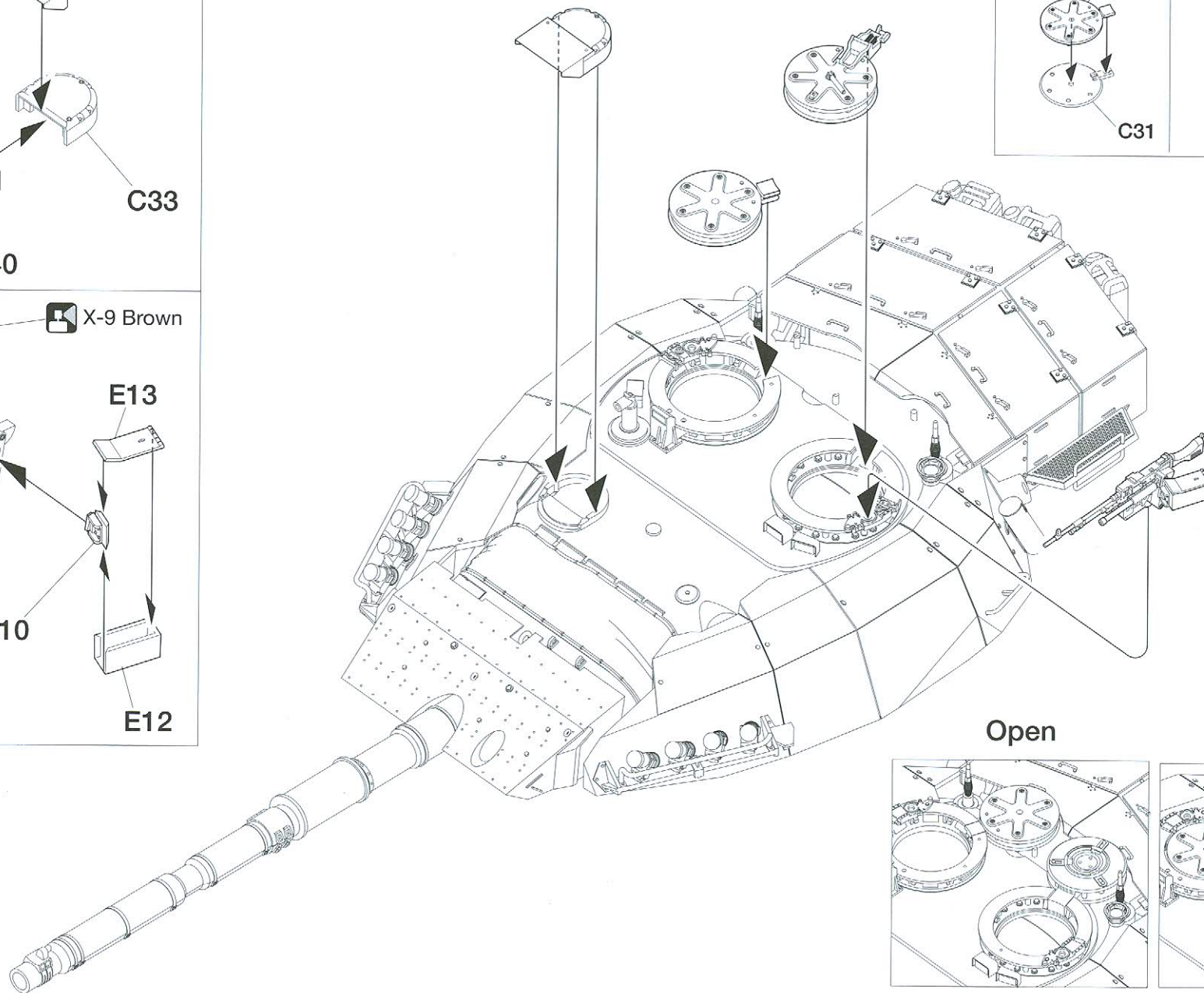
24



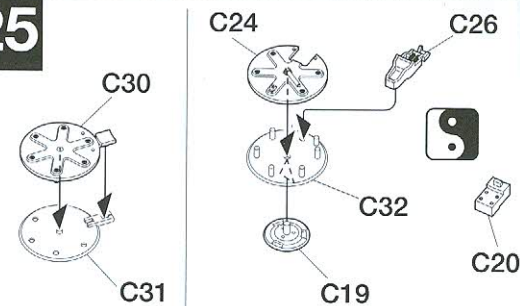
26



27

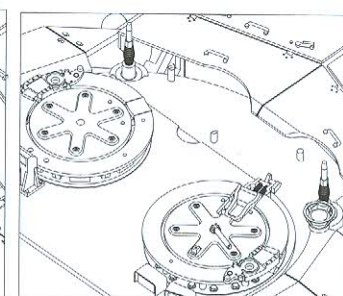
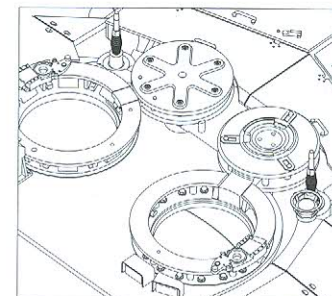


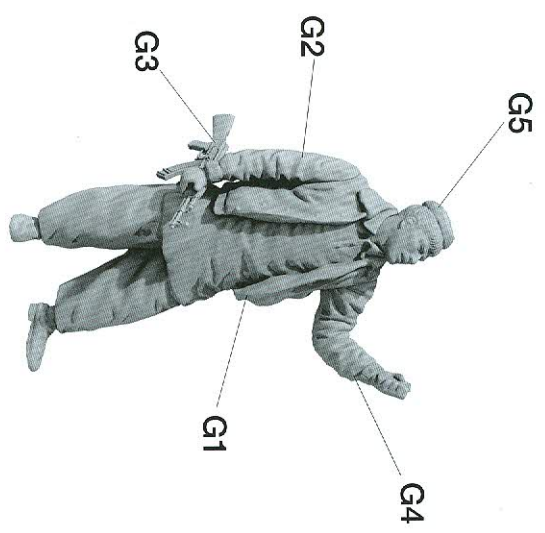
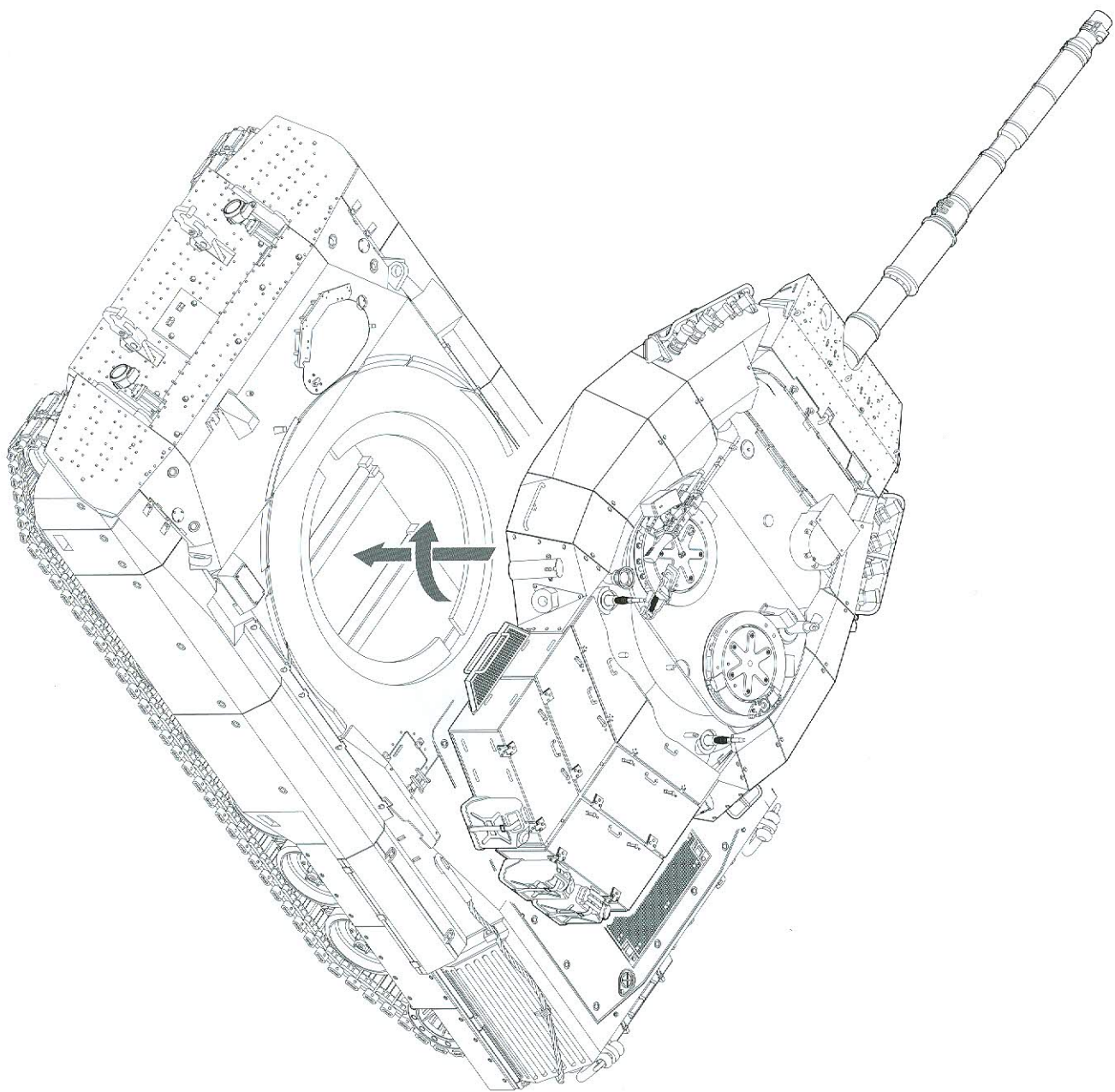
25



Open

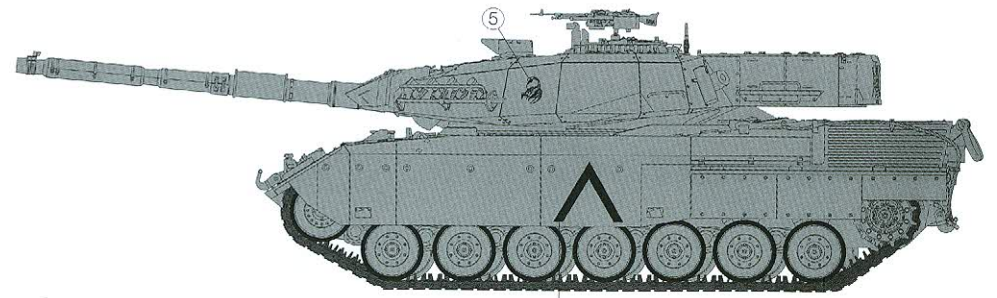
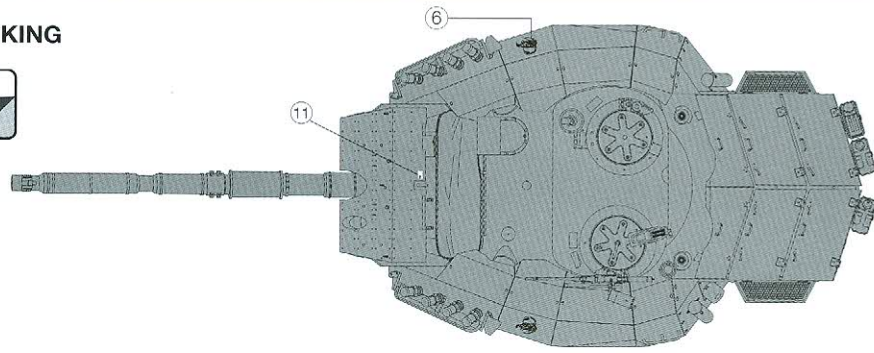
Closed



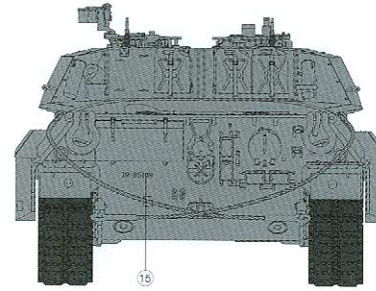
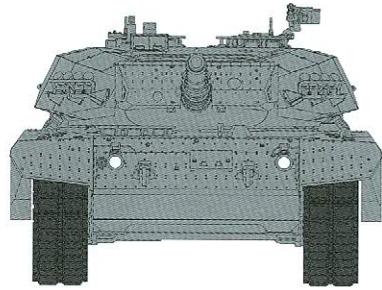


 The color of this figure please refer to boxart

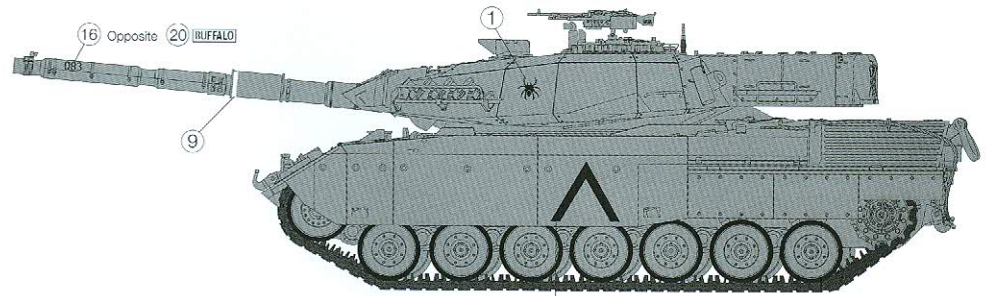
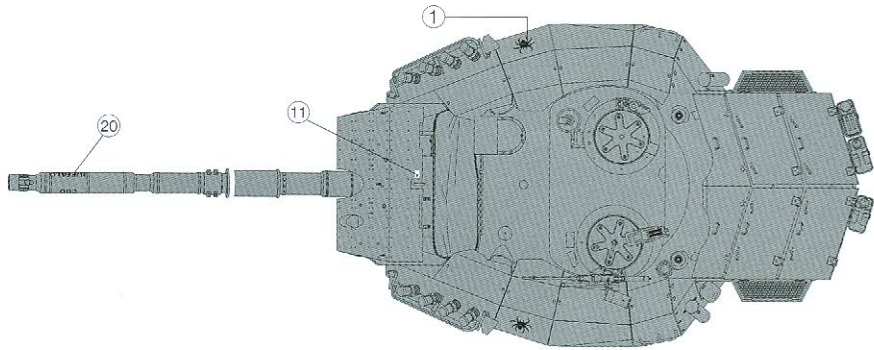
MARKING



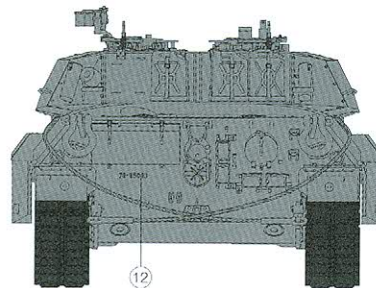
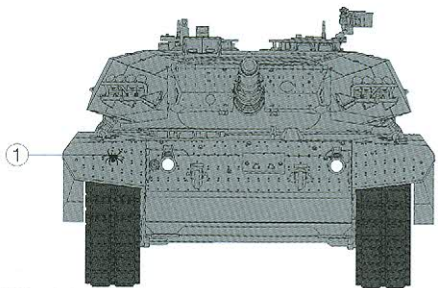
7 Attach to both sides



**A** Squadron Headquarters Troop, Lord Strathcona's Horse (Royal Canadians), Afghanistan 2006.



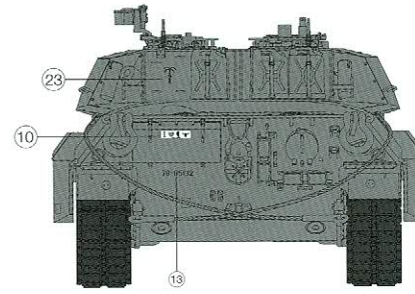
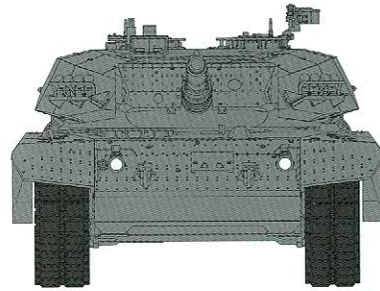
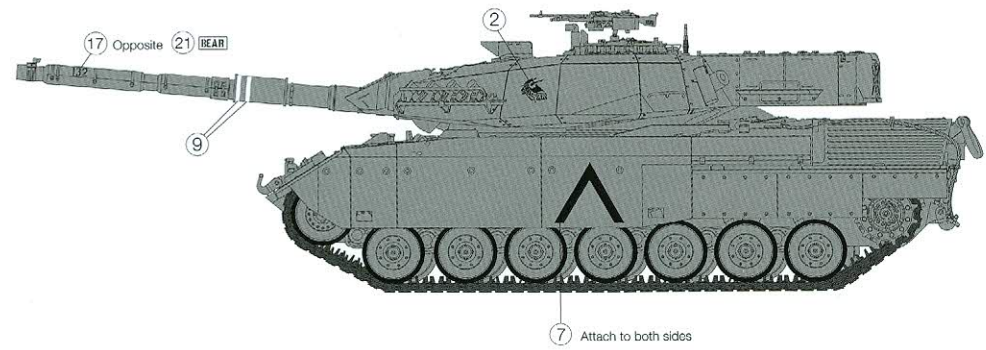
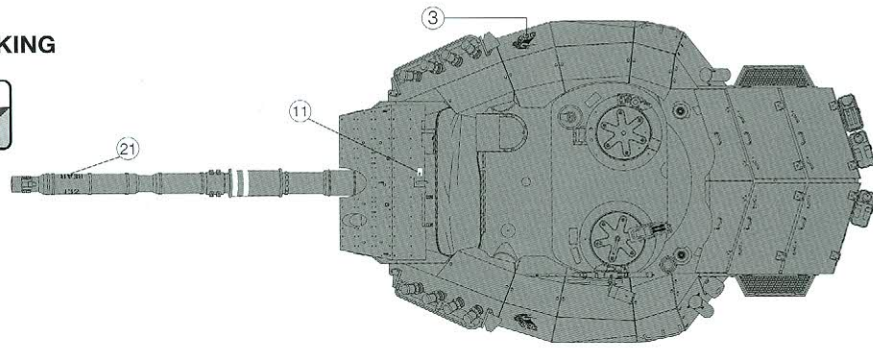
7 Attach to both sides



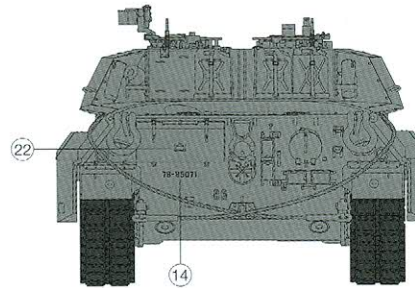
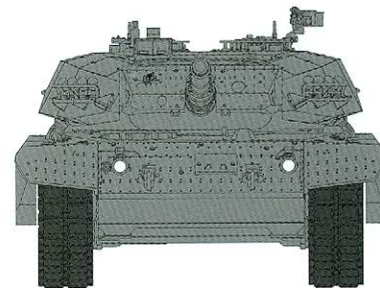
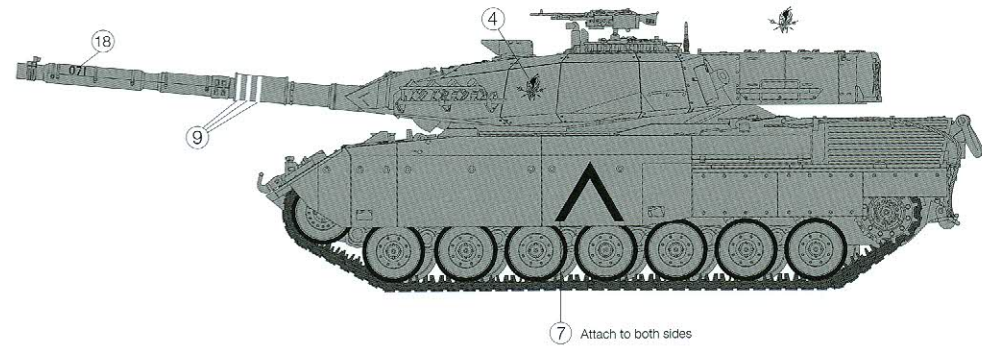
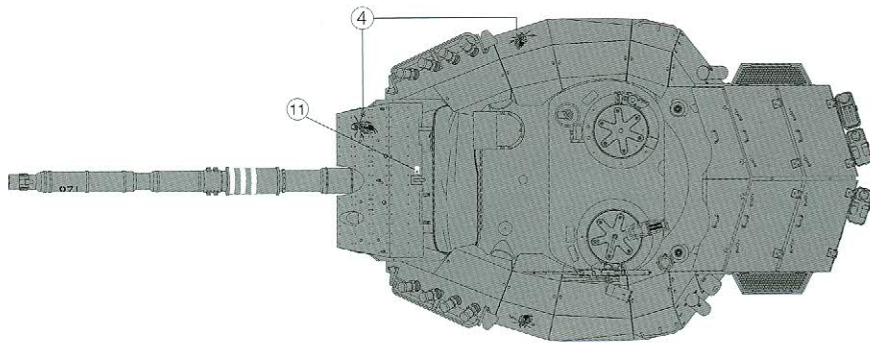
**B** 1st Troop, Lord Strathcona's Horse (Royal Canadians), Afghanistan 2006.



**MARKING**

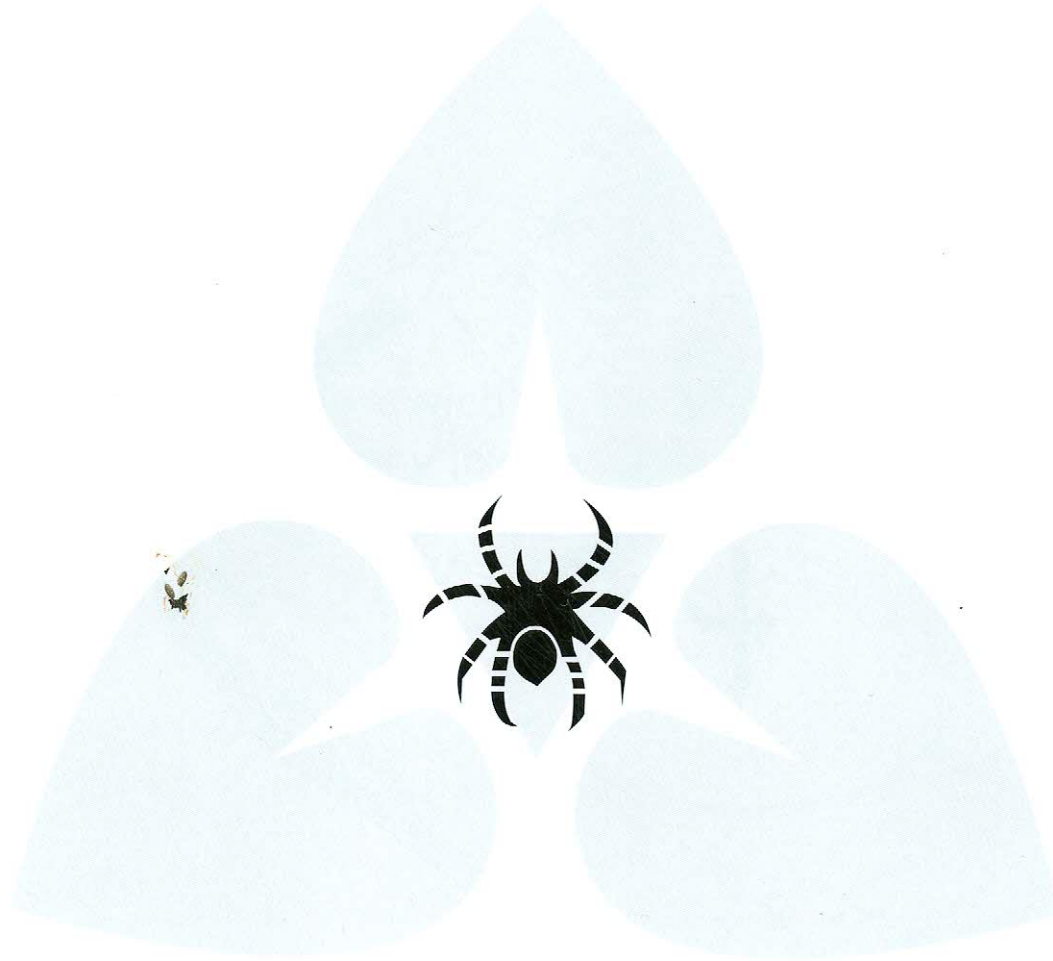


**C** 2nd Troop, Lord Strathcona's Horse (Royal Canadians), Afghanistan 2006.

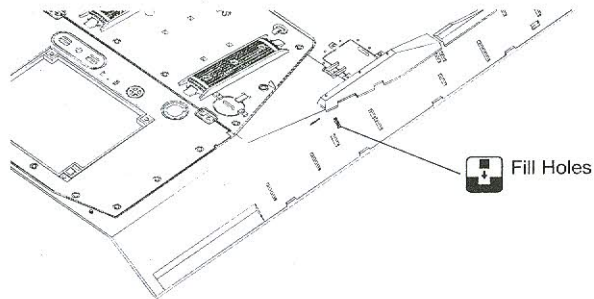


**D** 3rd Troop, Lord Strathcona's Horse (Royal Canadians), Afghanistan 2006.

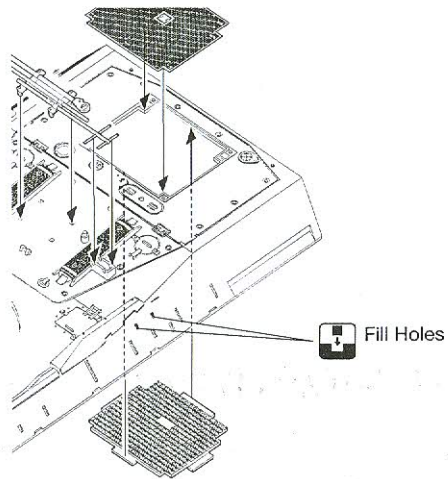
2013/2003



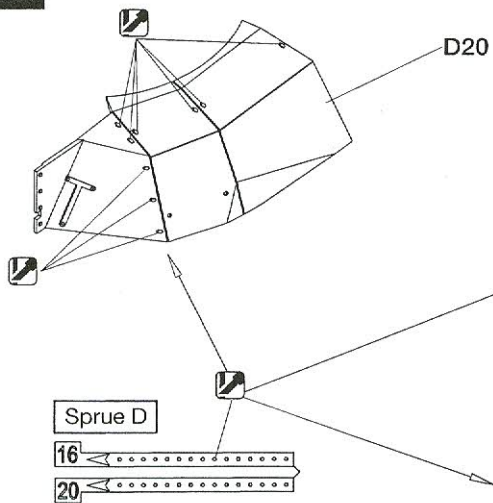
6



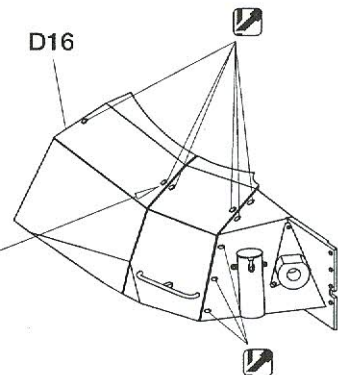
7



17



18



24

