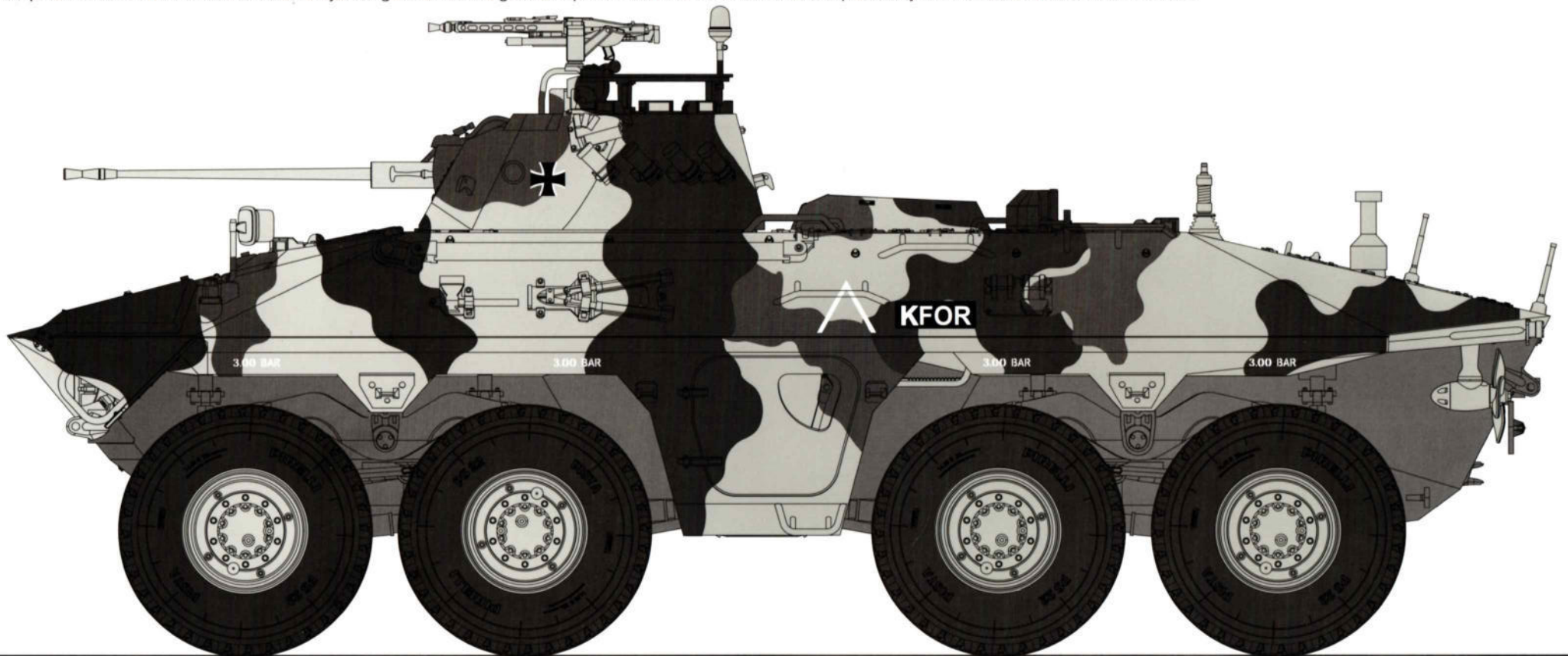


# SpPz 2 Luchs A1/A2

The Spähpanzer Luchs (English: Lynx) is a German 8x8 amphibious reconnaissance armoured fighting vehicle (Spähpanzer) in service since 1975 with the German Army, who used 408 in their armoured reconnaissance battalions. It was developed by Daimler-Benz between 1968 and 1975, replacing the M41 and the Schützenpanzer SPz 11-2 Kurz.

The all-wheel drive Luchs made by Thyssen-Henschel (now: Rheinmetall) is well armoured, has an NBC protection system and is characterized by its low-noise running. The eight large low-pressure tyres have run-flat properties. At speeds up to about 50 km/h, all four axles can be steered. As a special feature, the vehicle is equipped with a rear-facing driver with his own driving position. Up to the first combat effectiveness upgrade in 1986, the Luchs was fully amphibious and could surmount water obstacles quickly and independently using propellers at the rear and the fold back trim vane at the front.

The 20 mm Rheinmetall MK 20 Rh 202 gun in the turret is similar to the one in the Marder IFV. The upgrade to the Luchs A1 starting in 1986 included the incorporation of a thermal observation and gunnery system, which replaced the original infrared/white light night vision system mounted to the left of the turret. VHF radios have been the German SEM 25 / SEM 35 FM short range radios from LORENZ. HF long-range radio was the AN/GRC 9 with the LV 80 100 Watts RF amplifier for Morse Code. This was replaced by the XK 405 100 Watts SSB HF radio made by Rohde&Schwarz in Germany and the incorporation of the new SEM 80/90 radio system gave it the designation SpPz 2 Luchs A2. The Luchs was replaced by the Fenner in Bundeswehr service.



# READ BEFORE ASSEMBLY

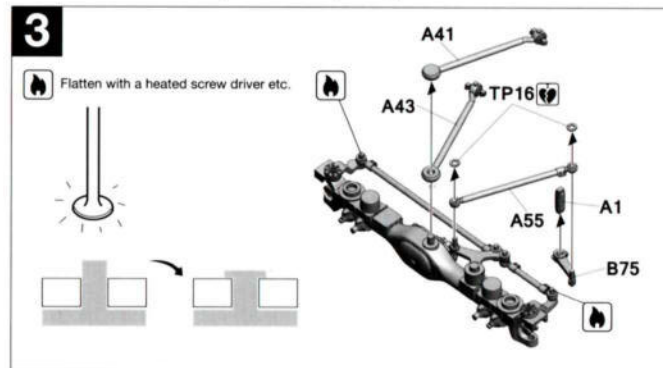
## CAUTION

- Read carefully and fully understand the instructions before commencing assembly. A supervising adult should also read the instructions if a child assembles the model.
- When assembling this kit, tools including knives used. Extra care should be taken to avoid personal injury.
- Keep out of reach of small children. Children must not be allowed to suck any part, or pull vinyl bag over their heads.



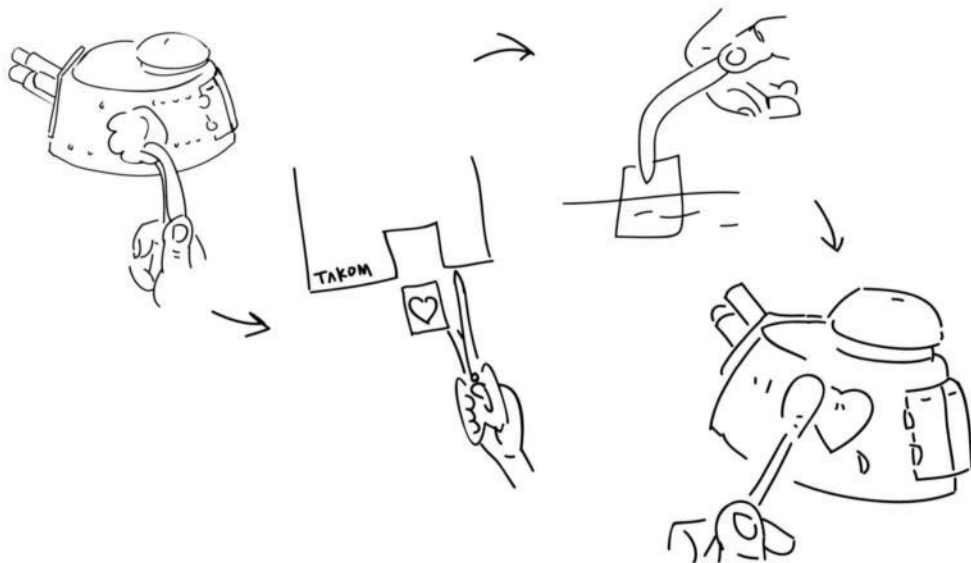
## PAINTS REQUIRED

- Color info and profiles by Mig Jimenez

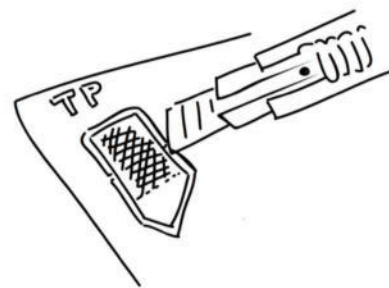


## APPLYING DECALS

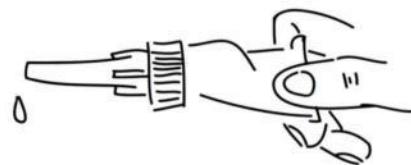
1. Clean the model surface with a wet cloth.
2. Cut out each decal design from sheet, and dip it in tepid water for 15~20 sec.
3. Hold the backing sheet edge and slide decal onto the model.
4. Move decal into position by wetting decal with finger.
5. Press decal gently down with a soft cloth until excess water and air bubbles are gone.



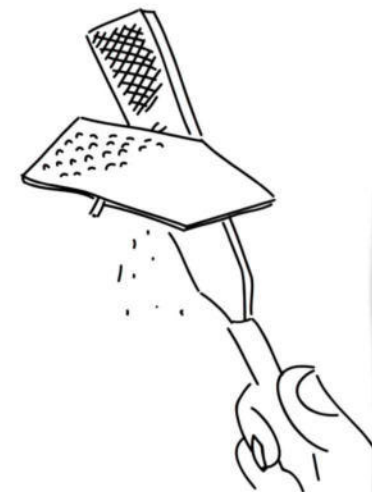
## REMOVING PE



Be careful not to hurt when removing PE parts.



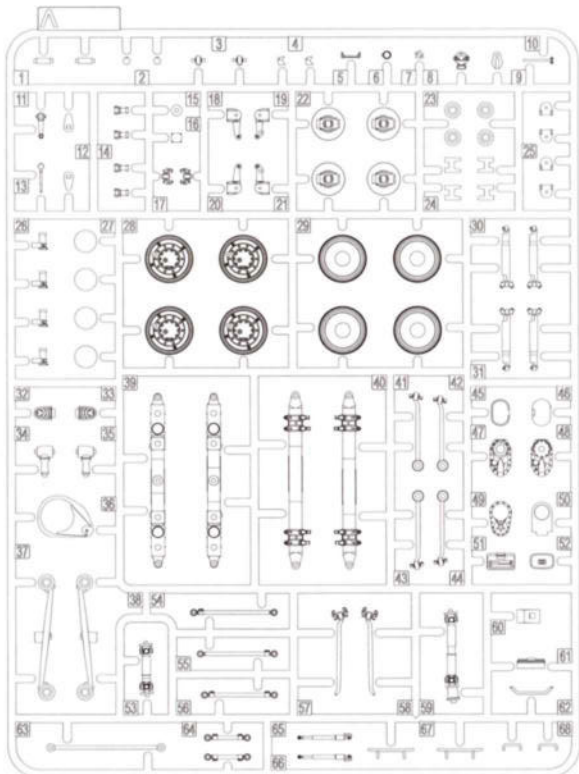
Secure using instant glue (not included).



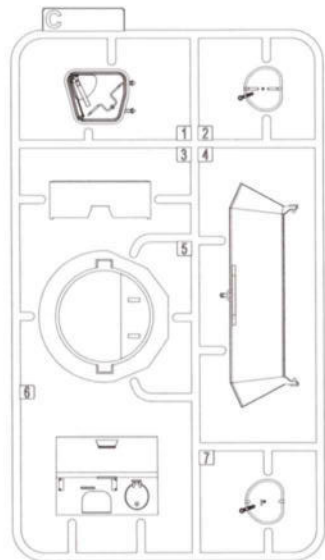
Finish using file.



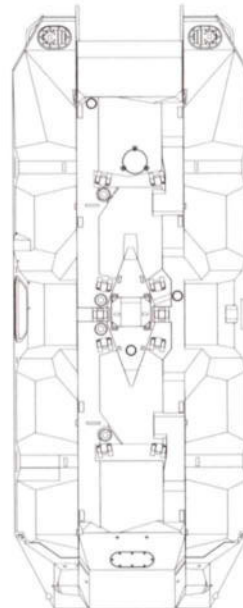
# PARTS



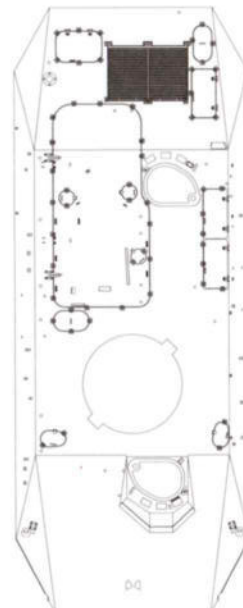
**X2**



**Lower hull**



**Upper hull**



**Poly cap**

**X2**



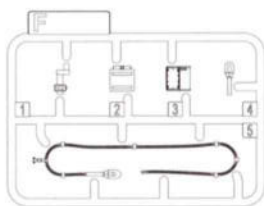
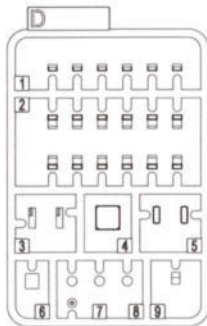
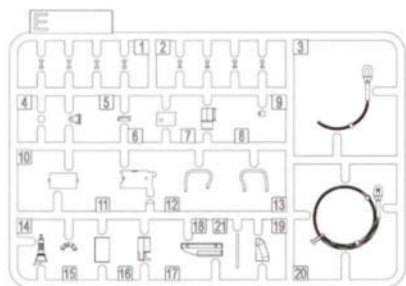
**Rubber sheet**



**X8**



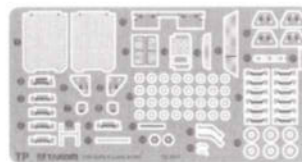
**X8**



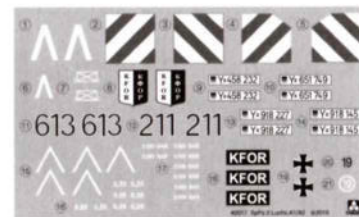
**Spring**  
5.56x12.1mm(0.72)



**X8**



**PE**

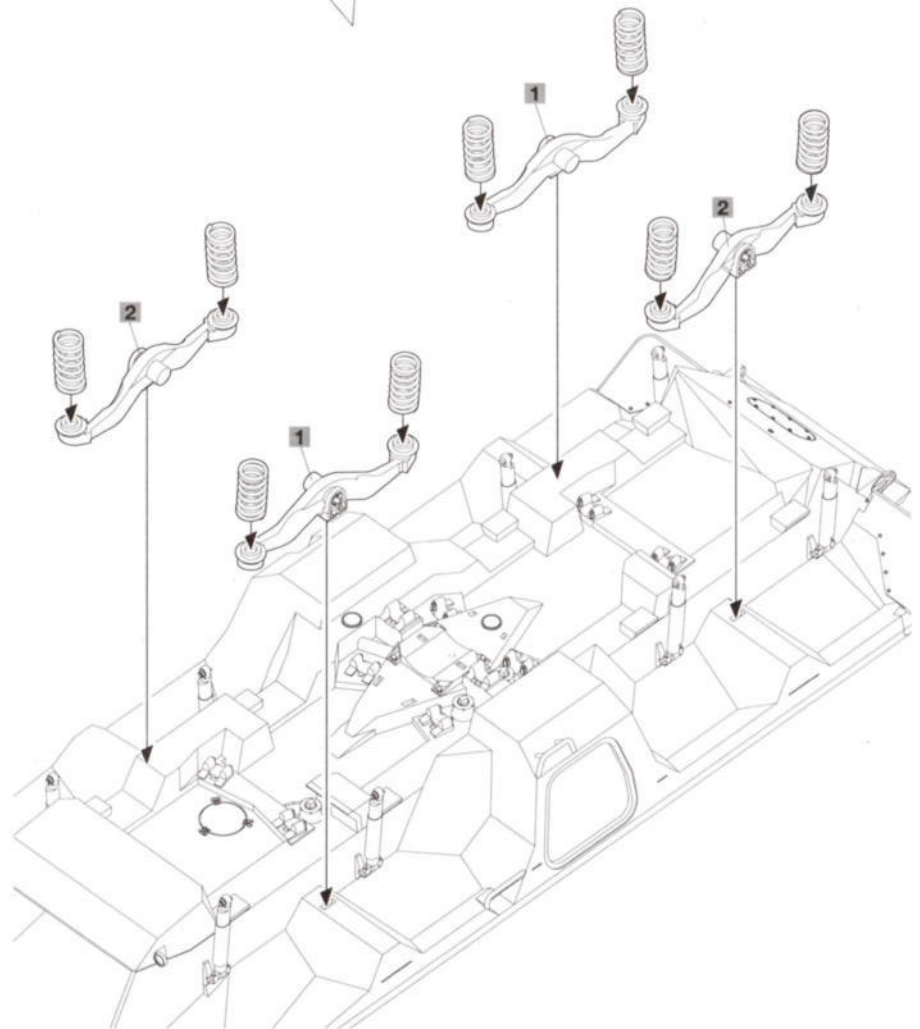
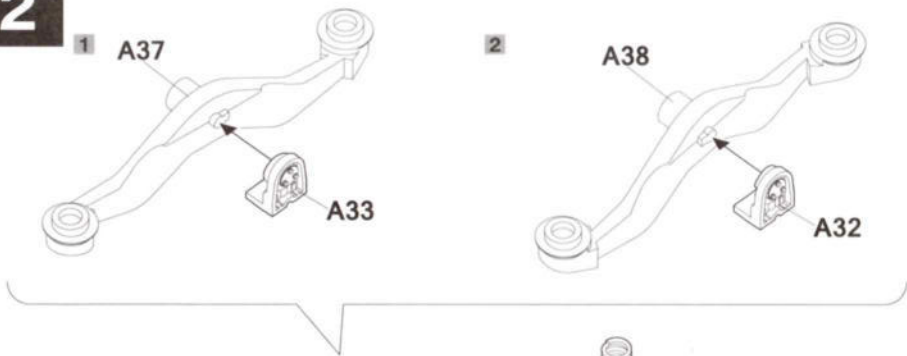


**Decal**

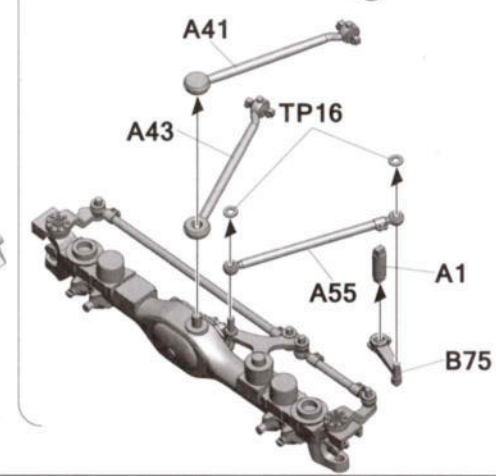
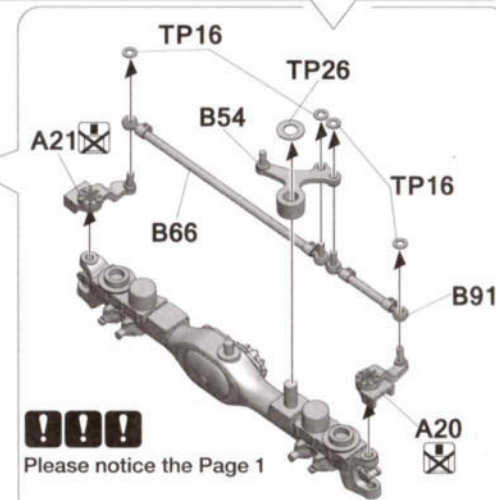
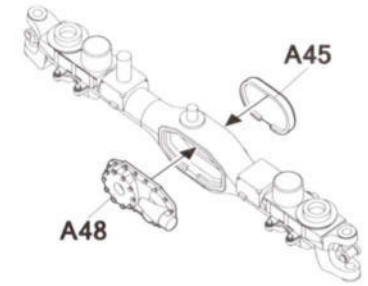
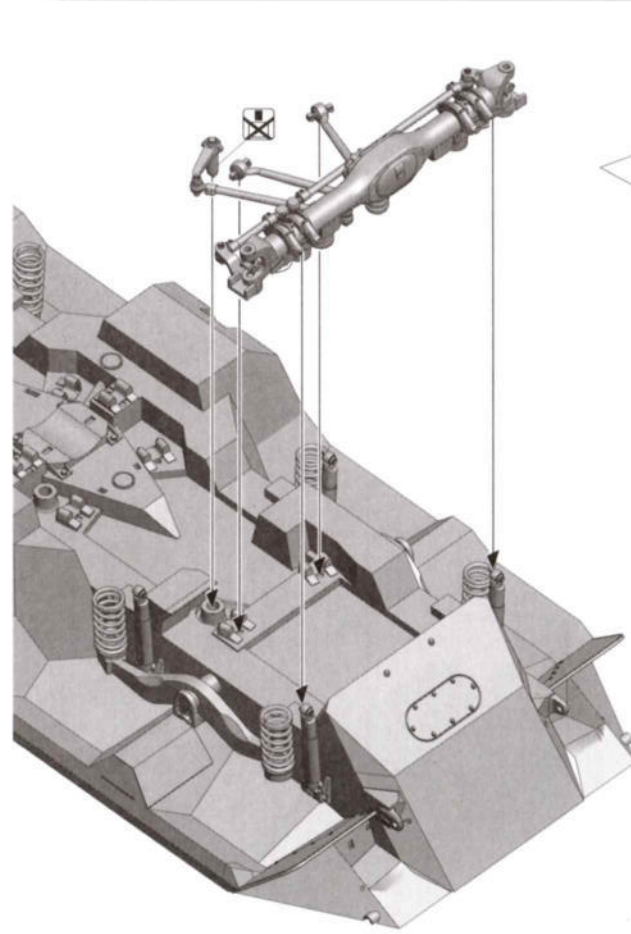
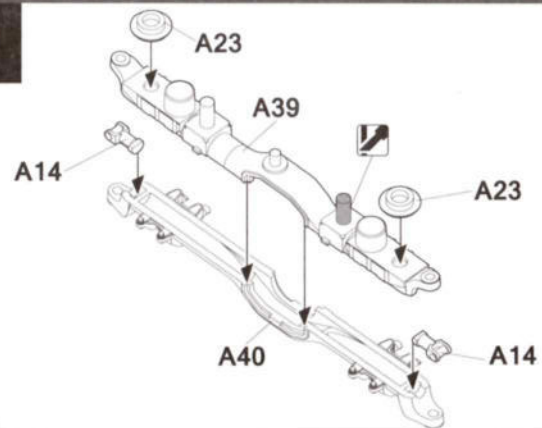




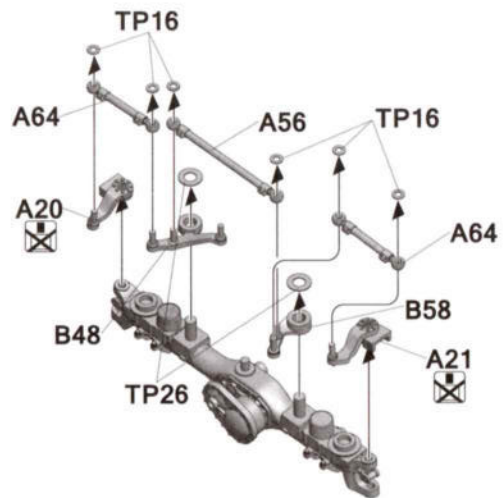
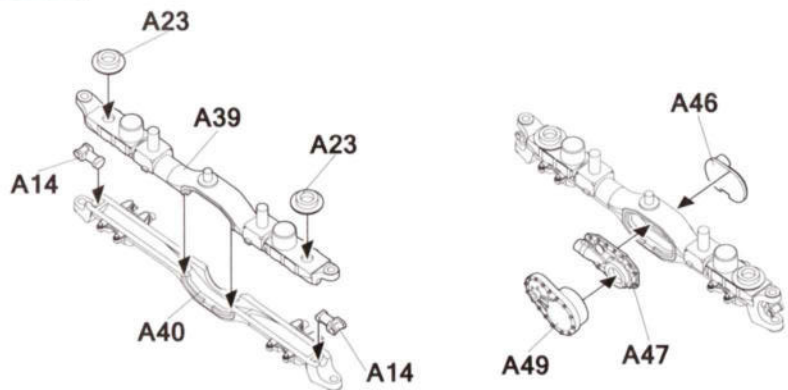
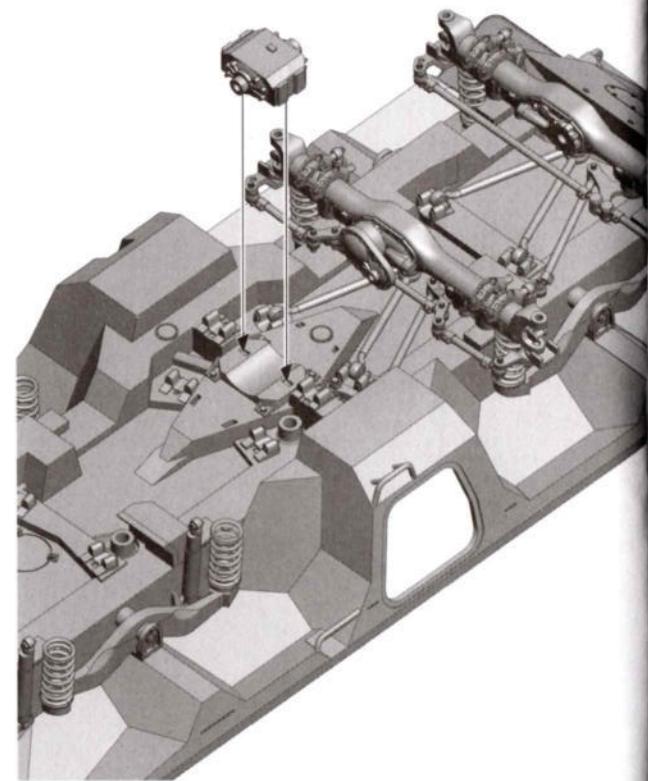
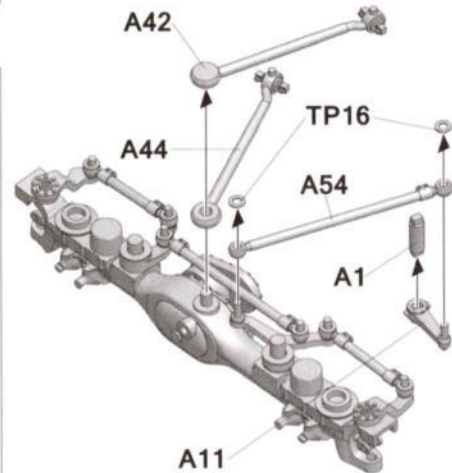
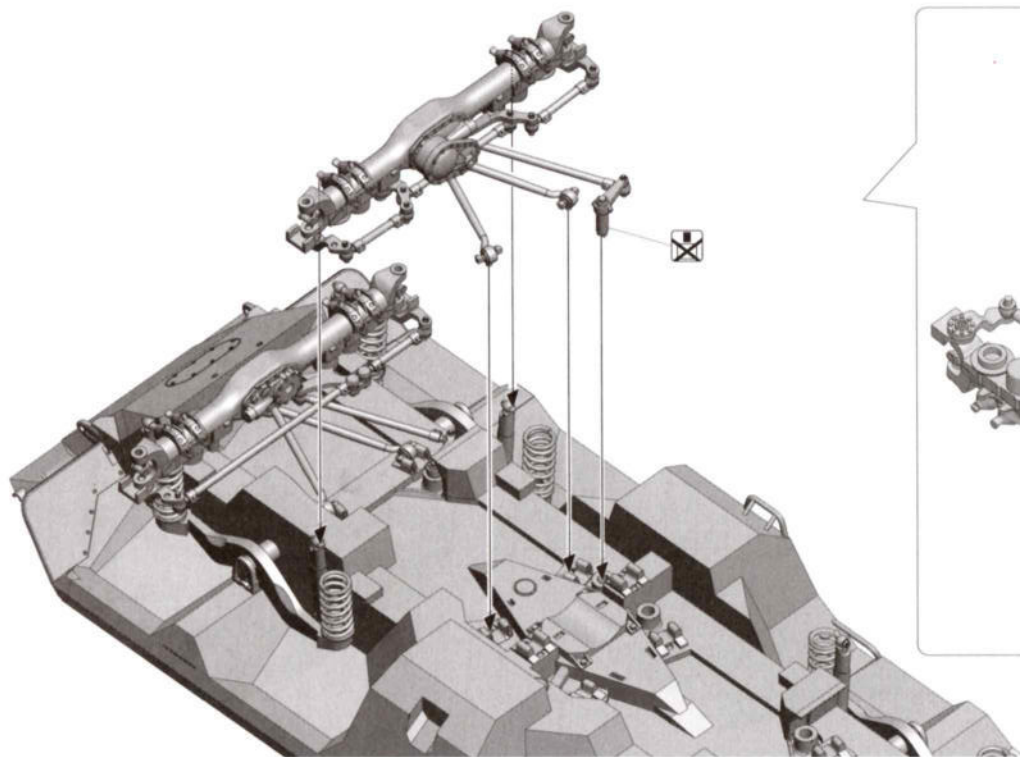
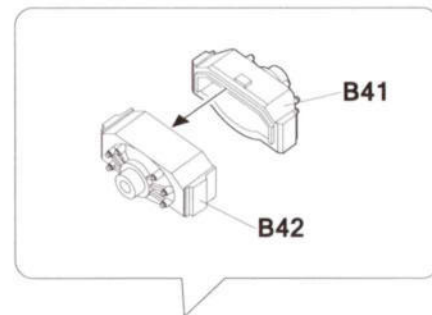
2



3

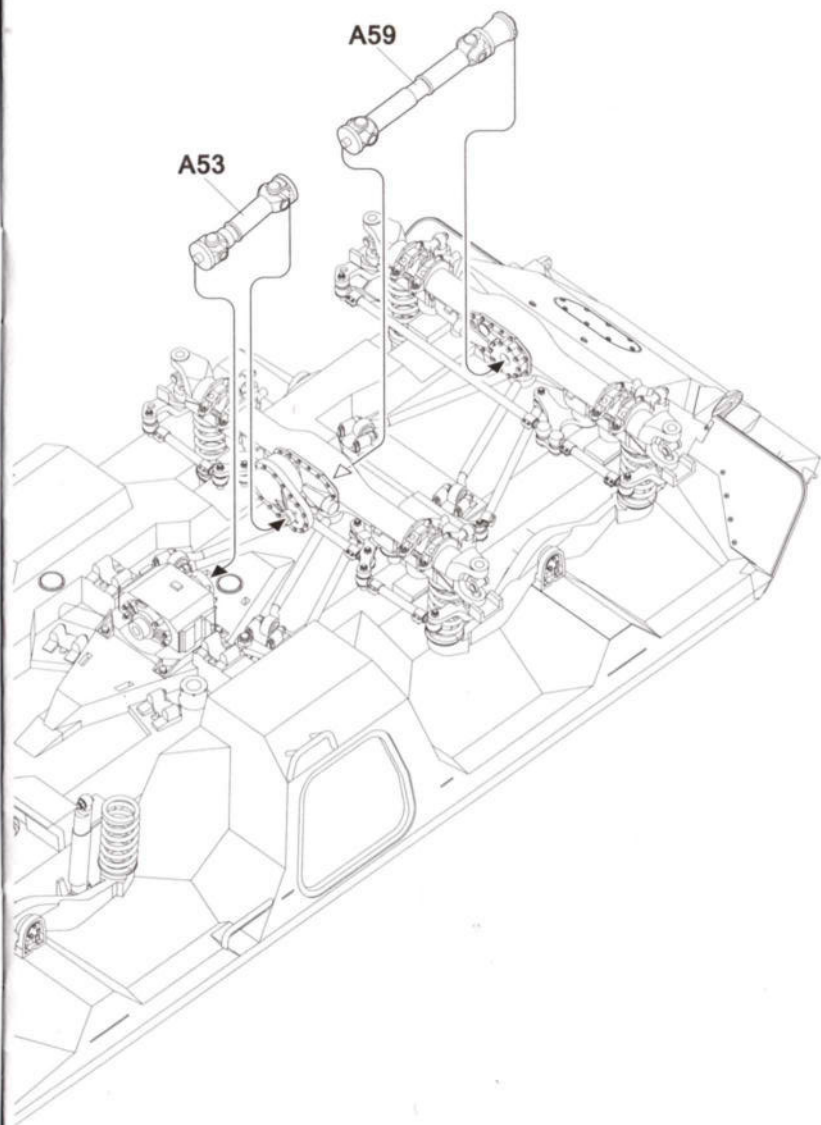


4

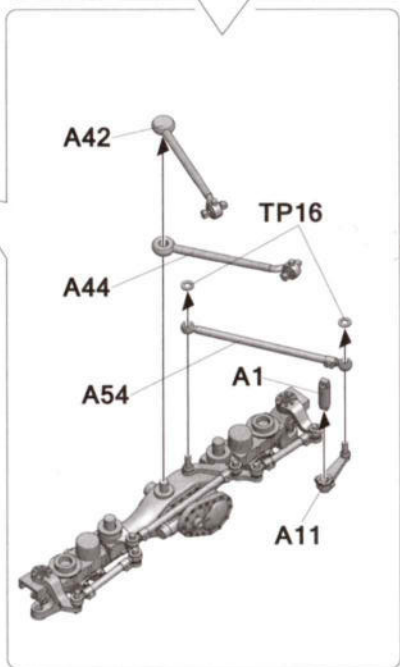
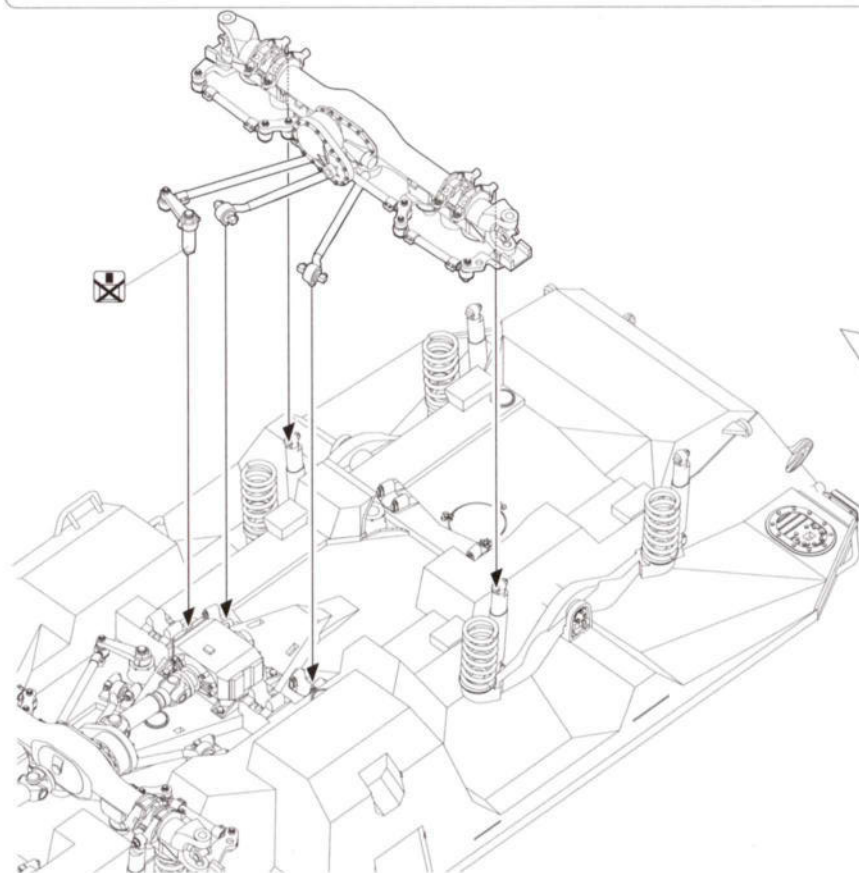
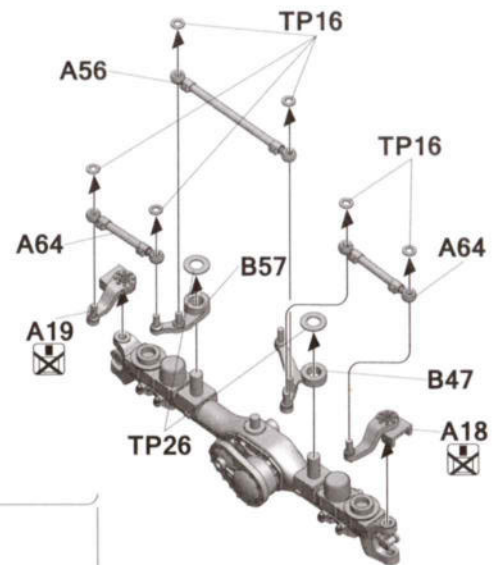
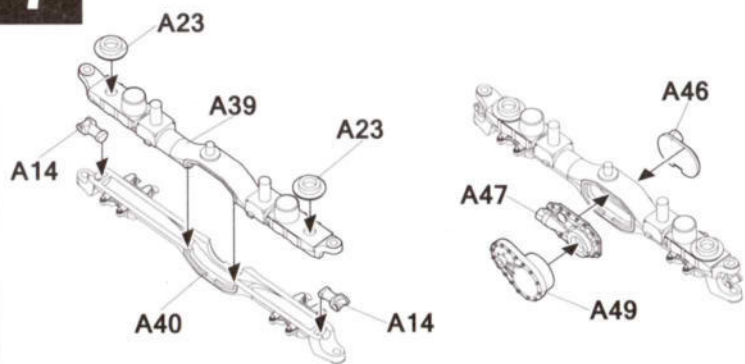
**4****5**

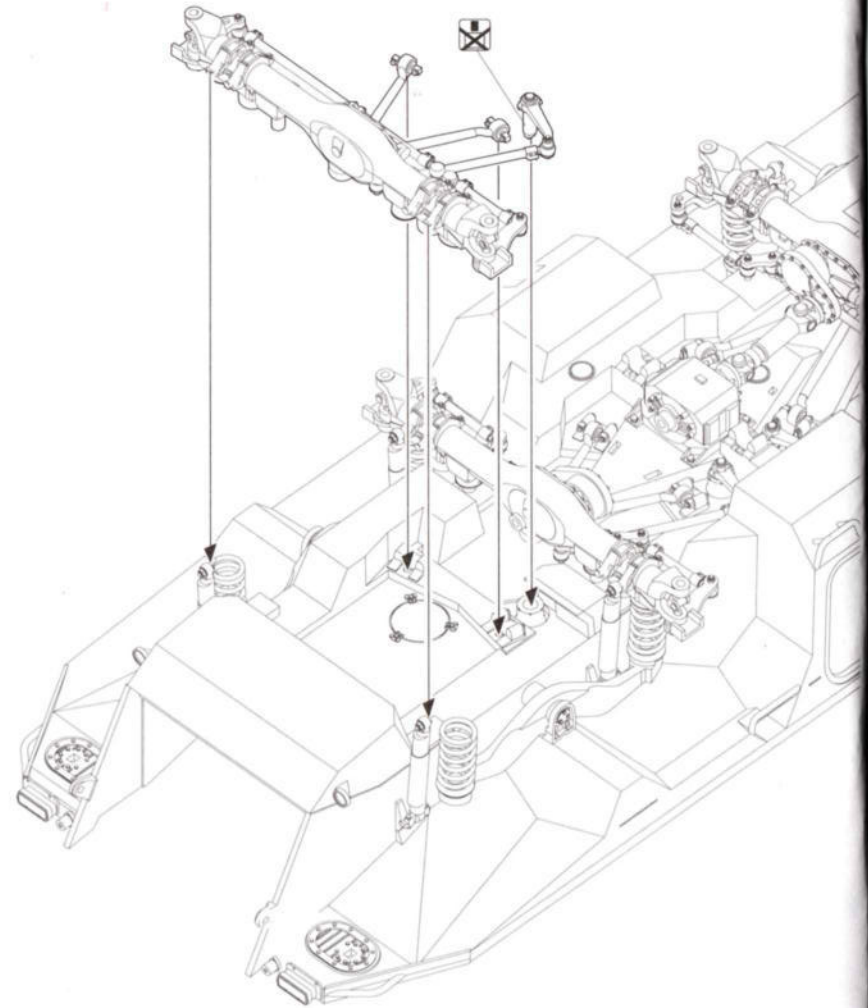
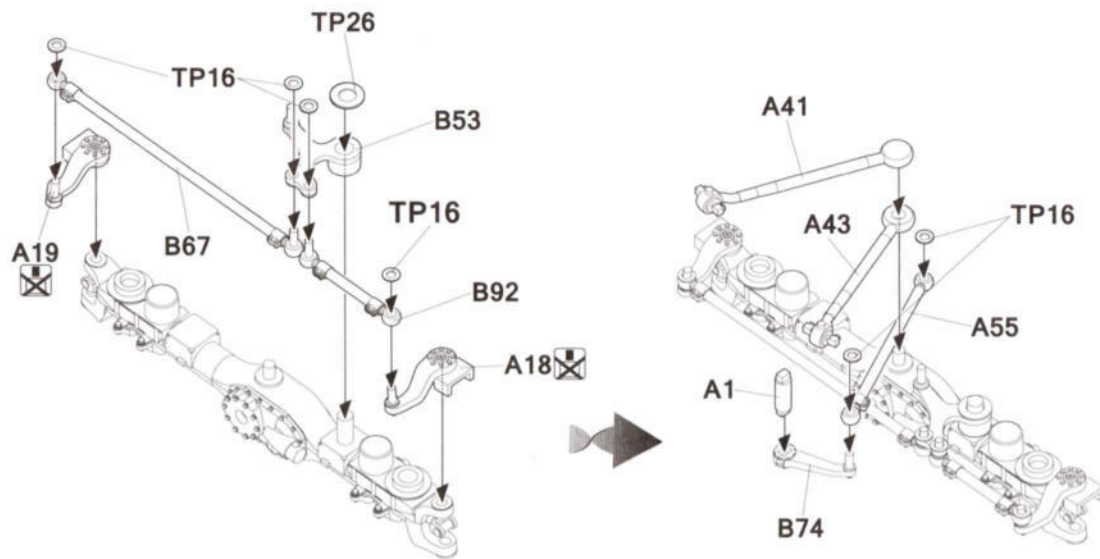
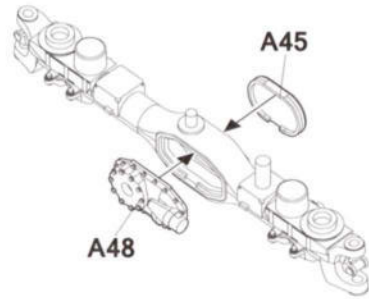
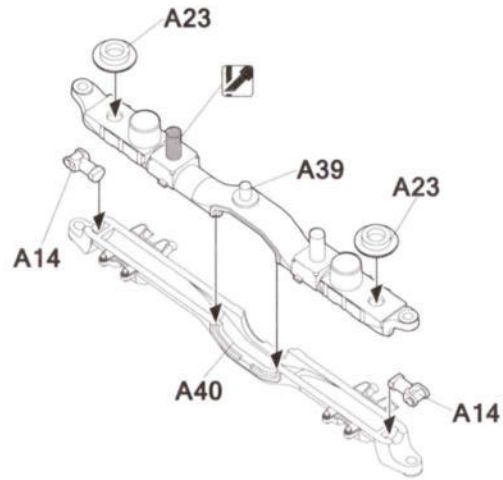


6

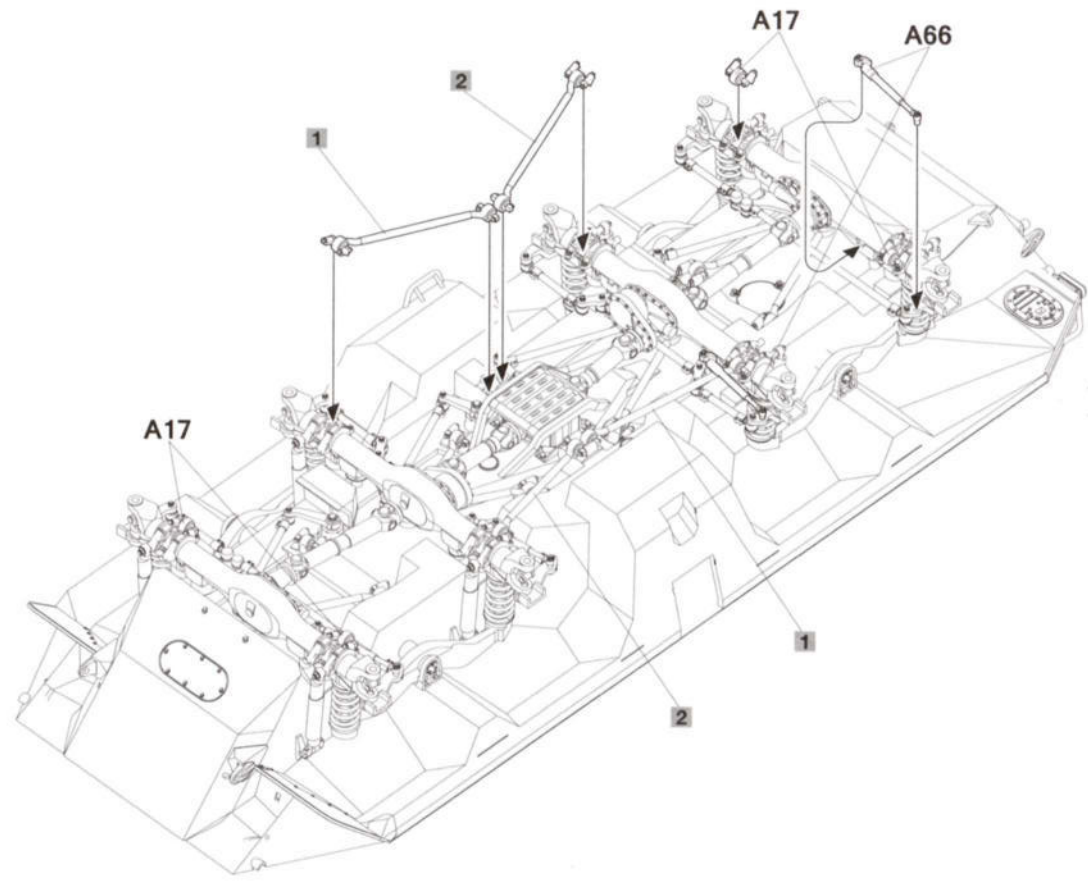
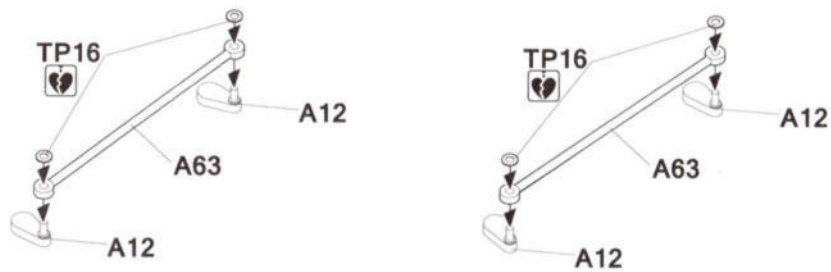
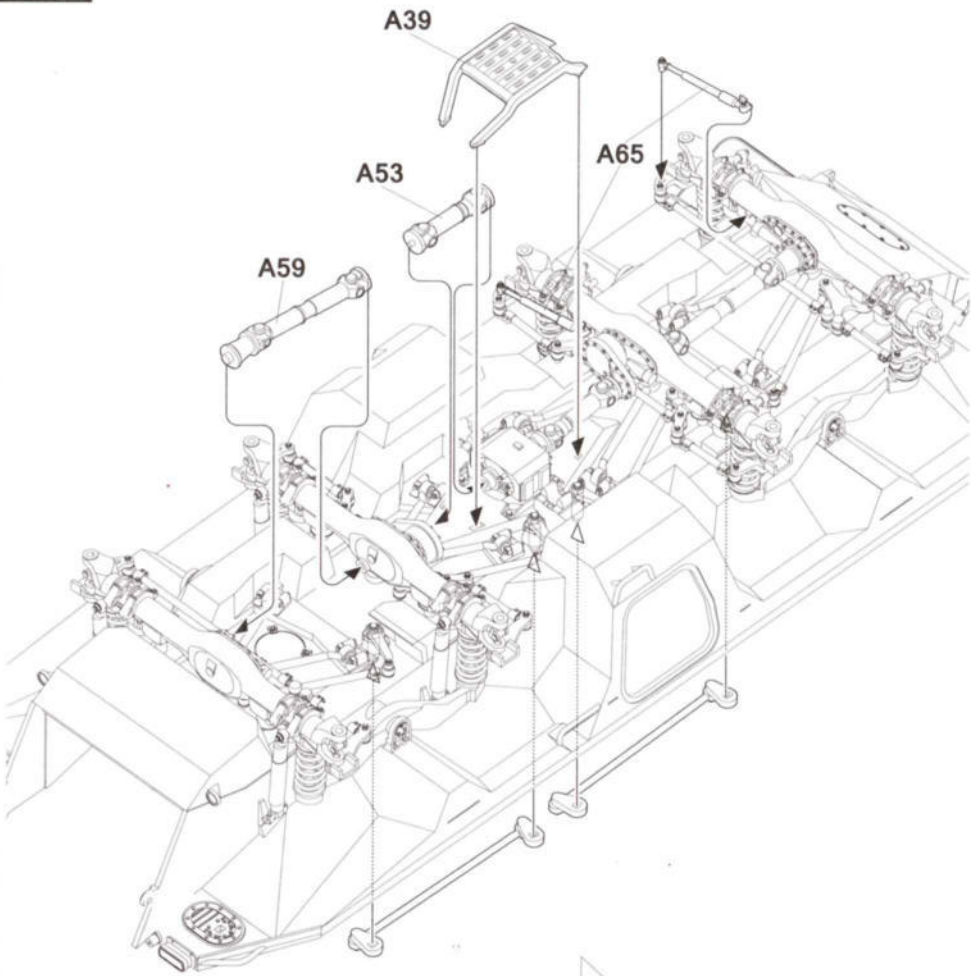


7

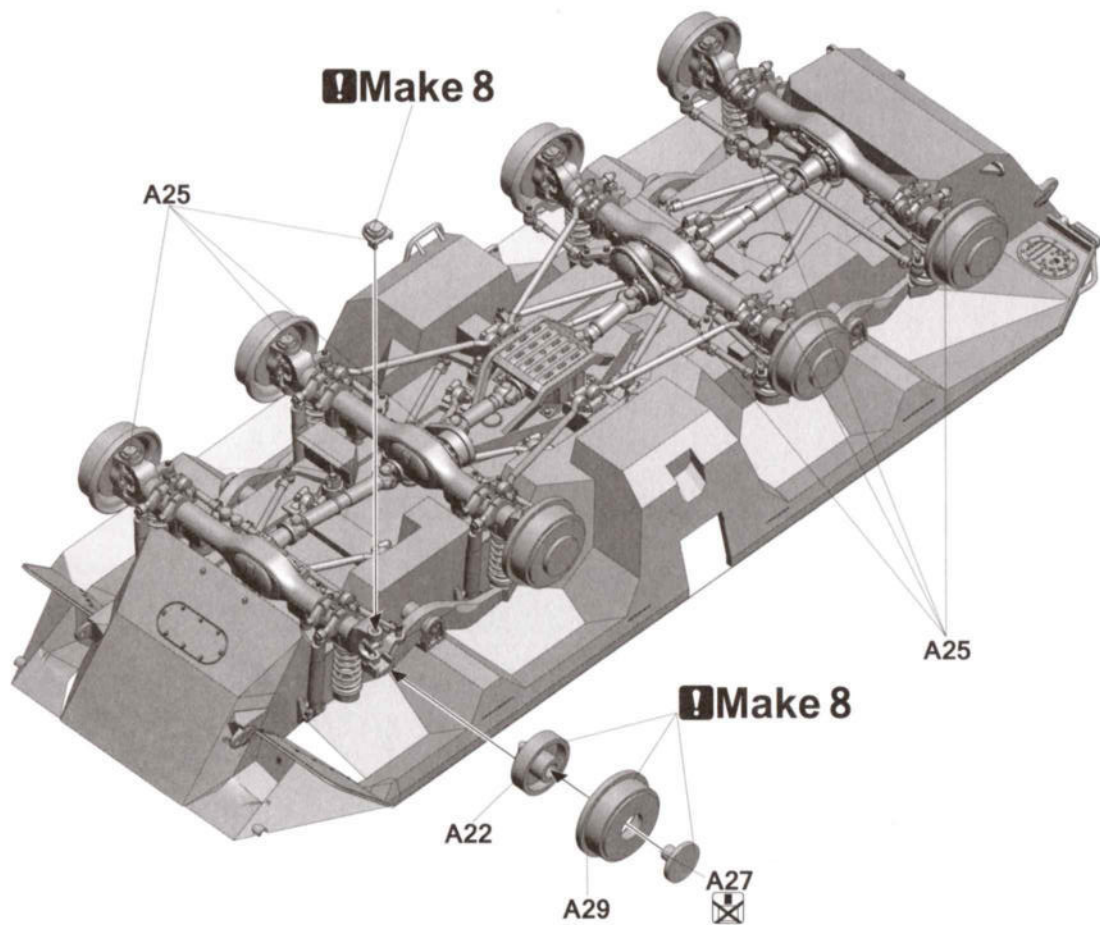




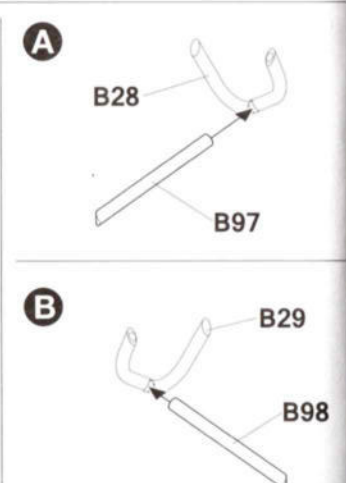
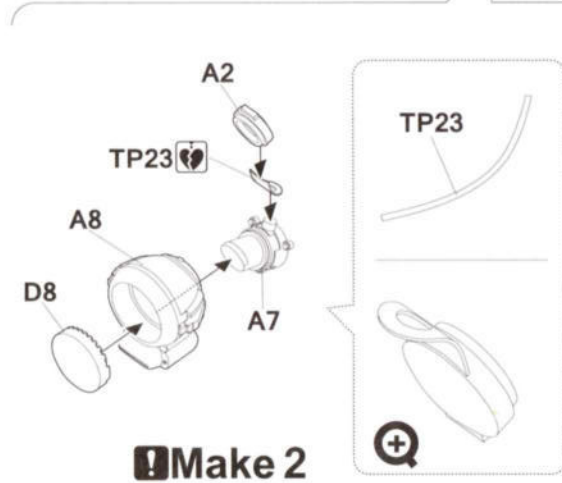
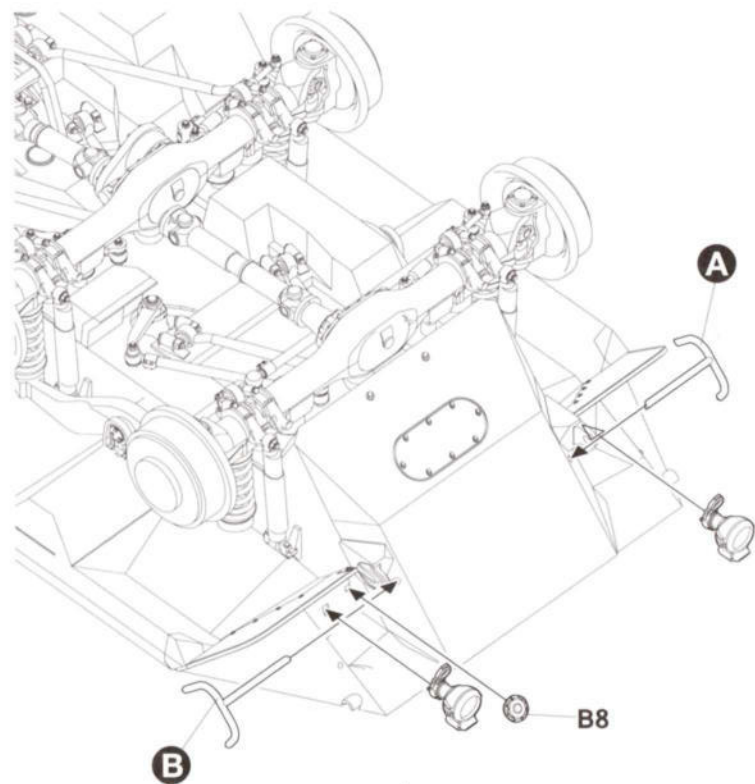




11

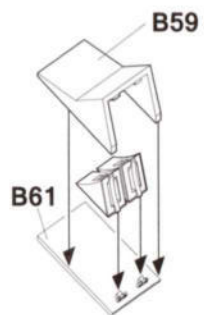
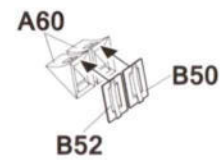
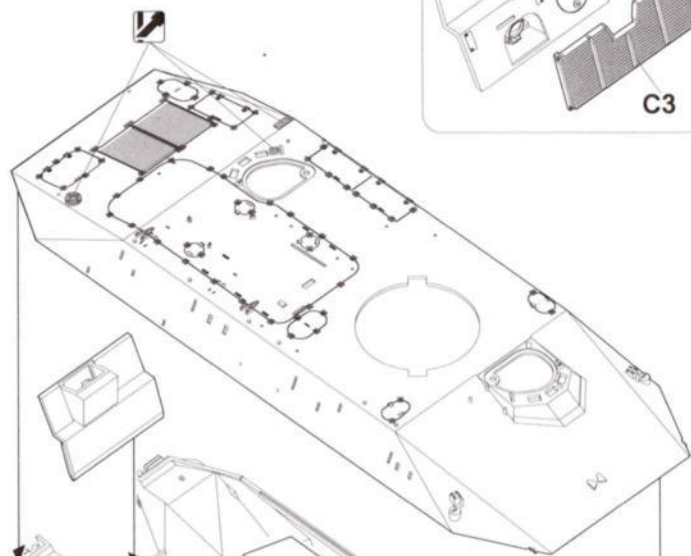
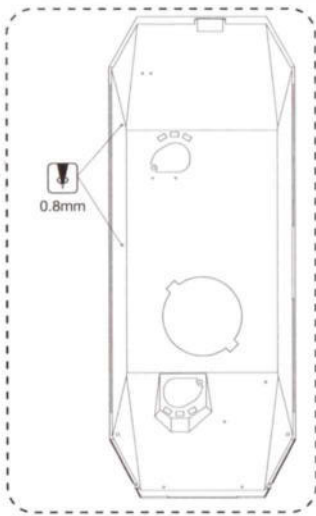
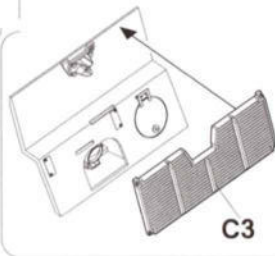
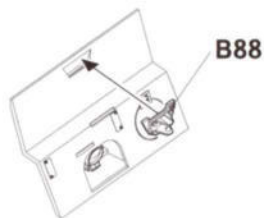
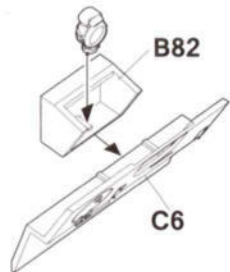
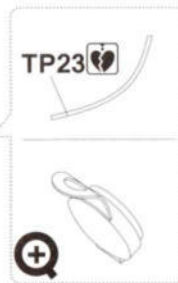
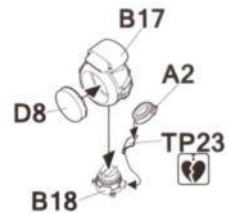


12

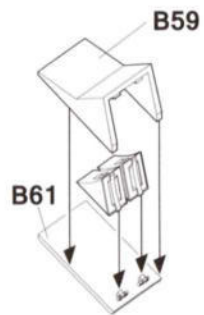
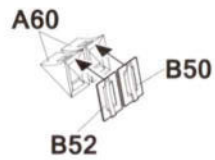
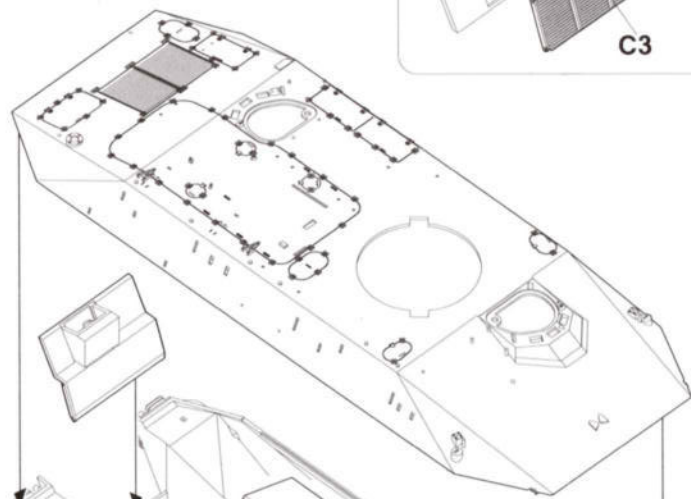
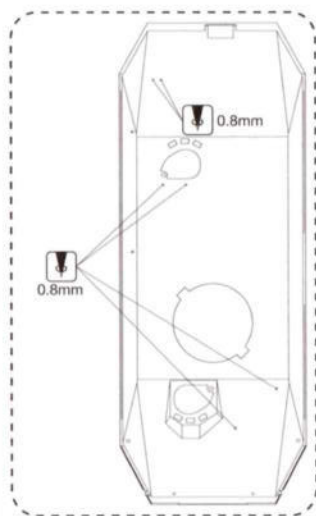
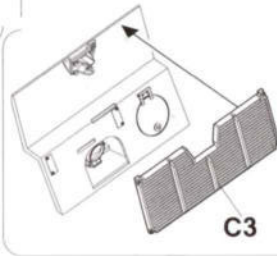
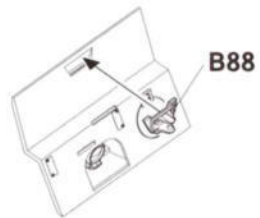
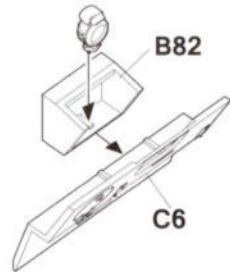
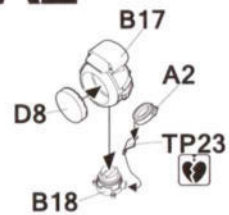




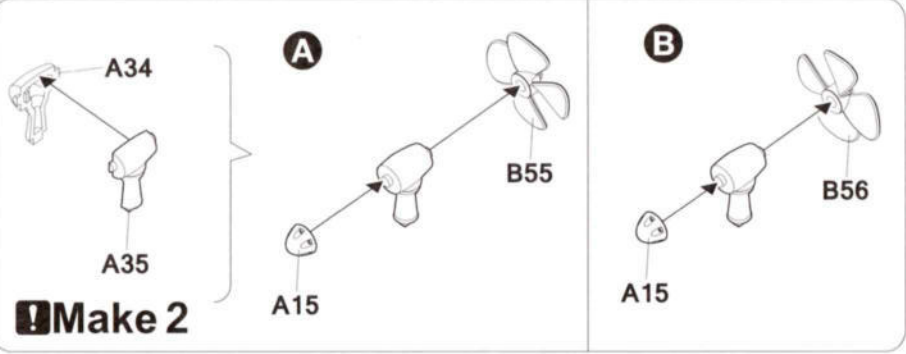
# 13 A1



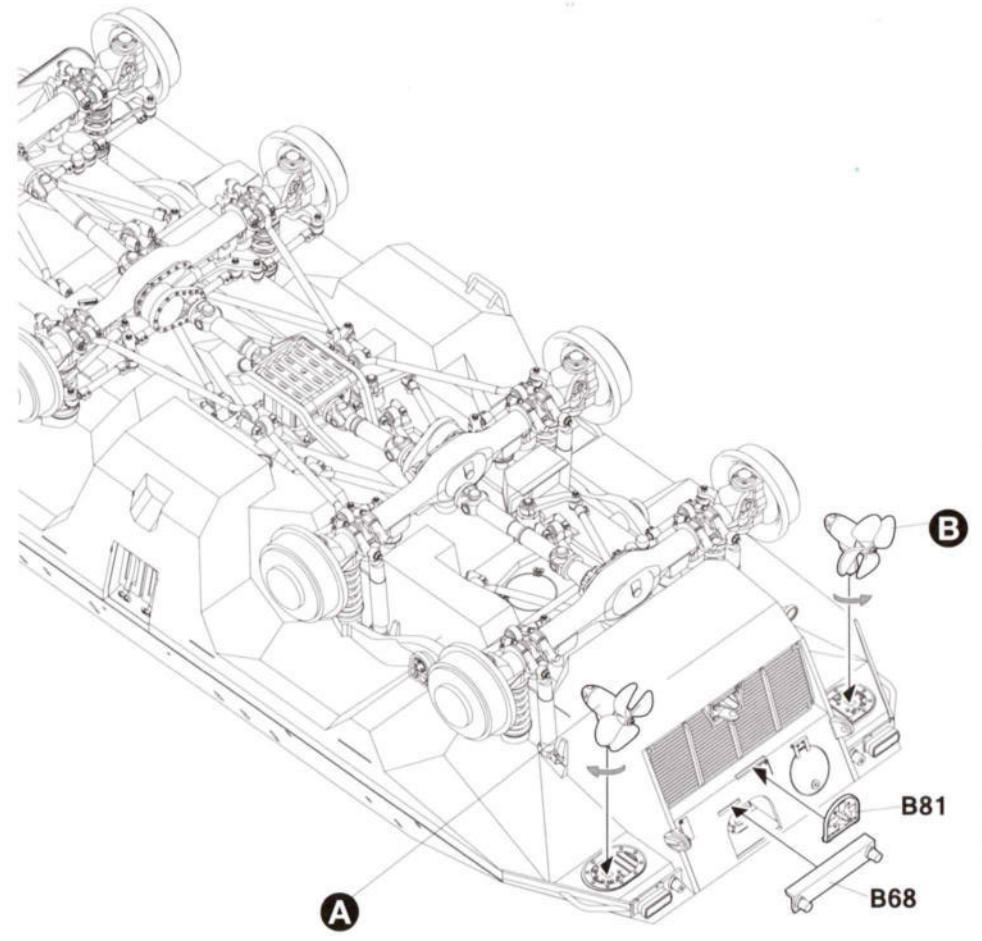
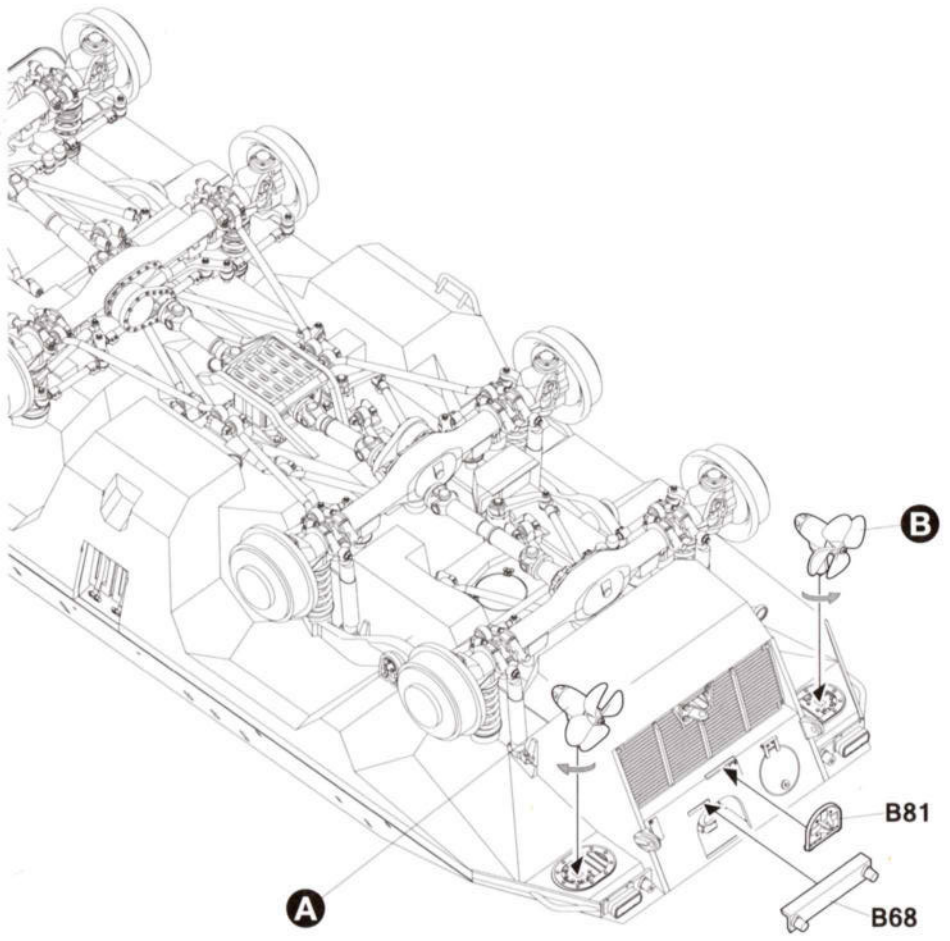
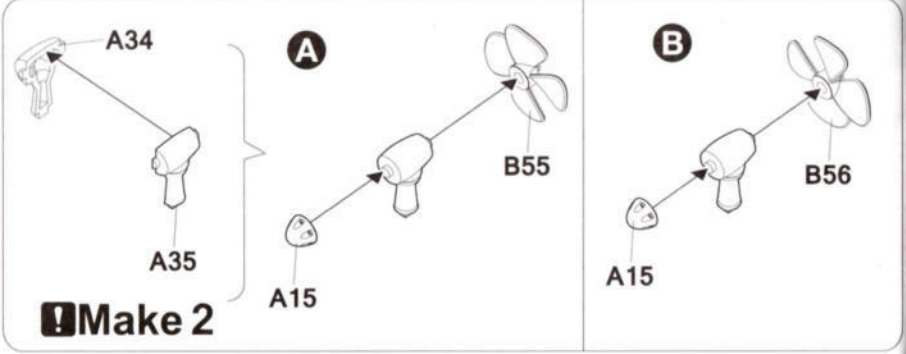
# A2



A1

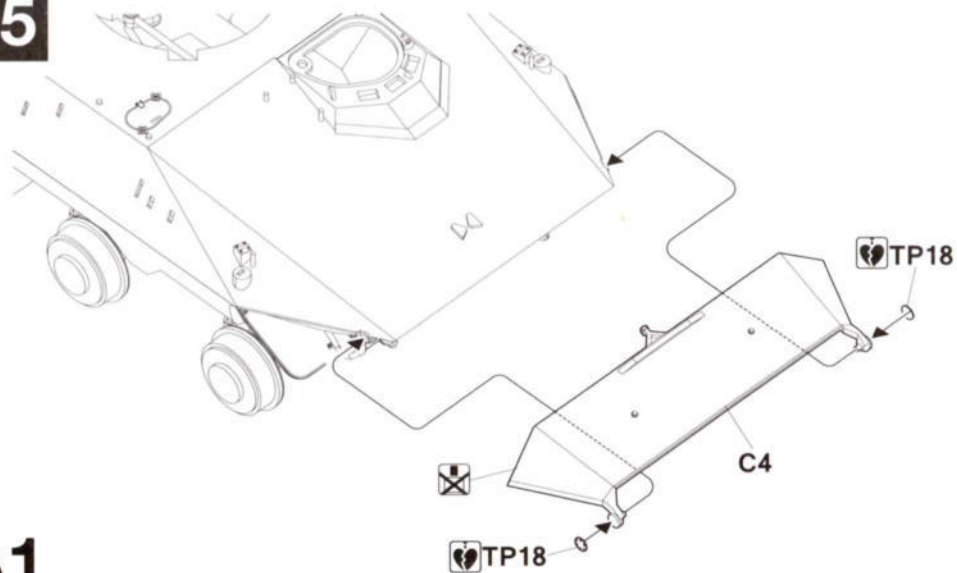


A2

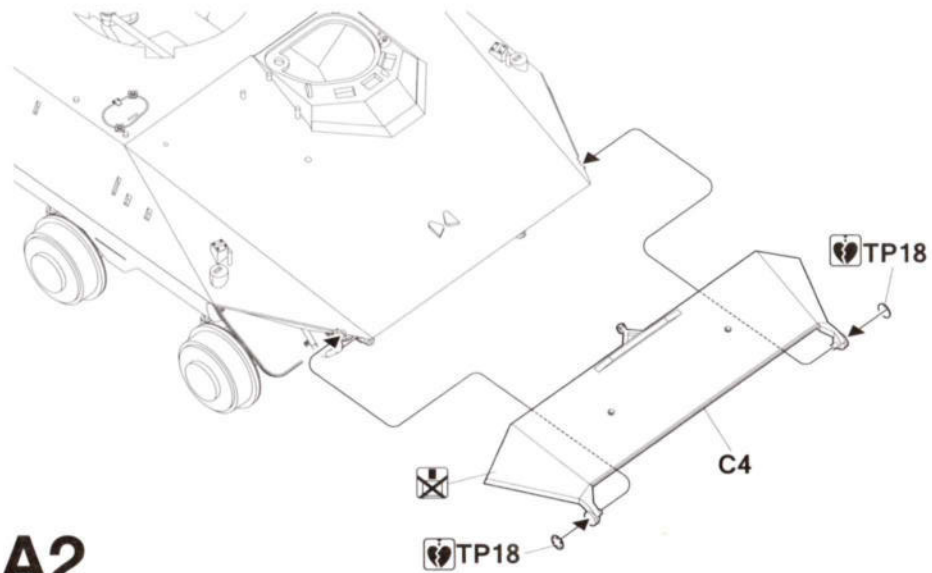




15

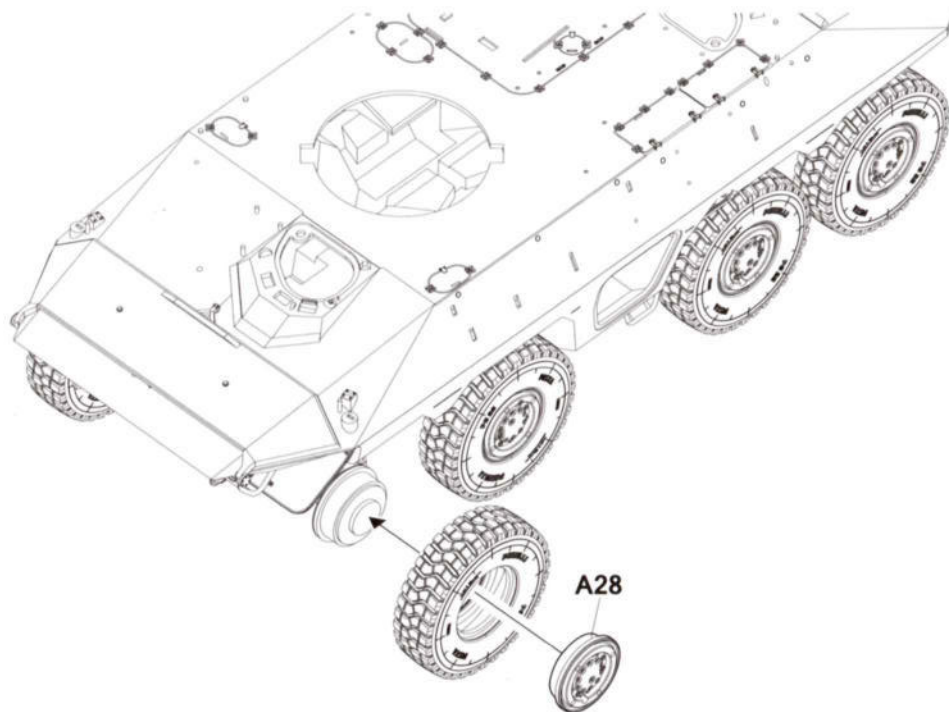
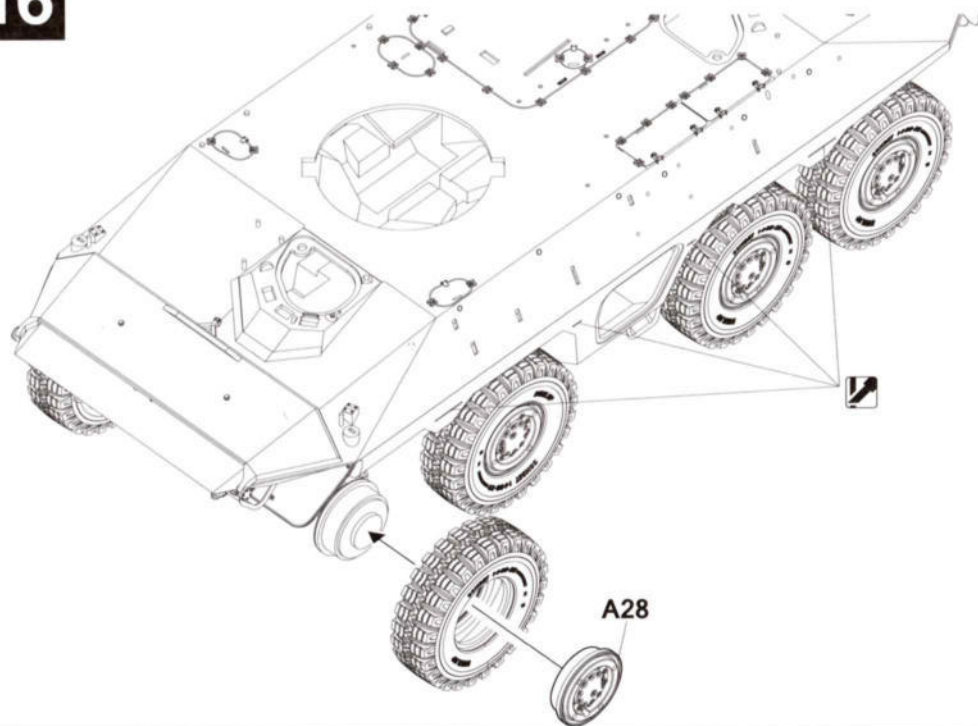


A1

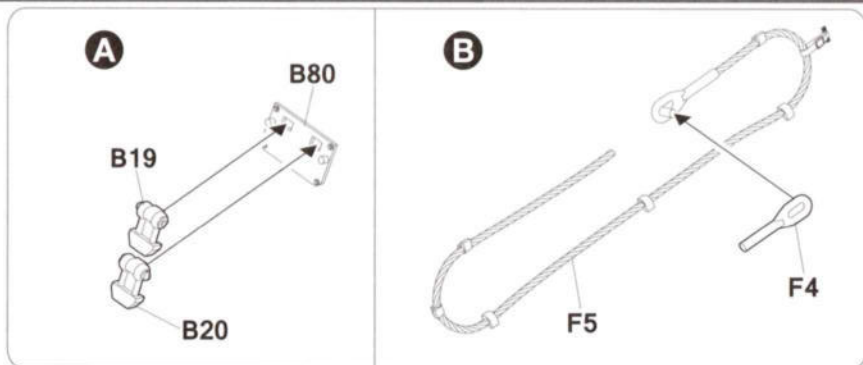


A2

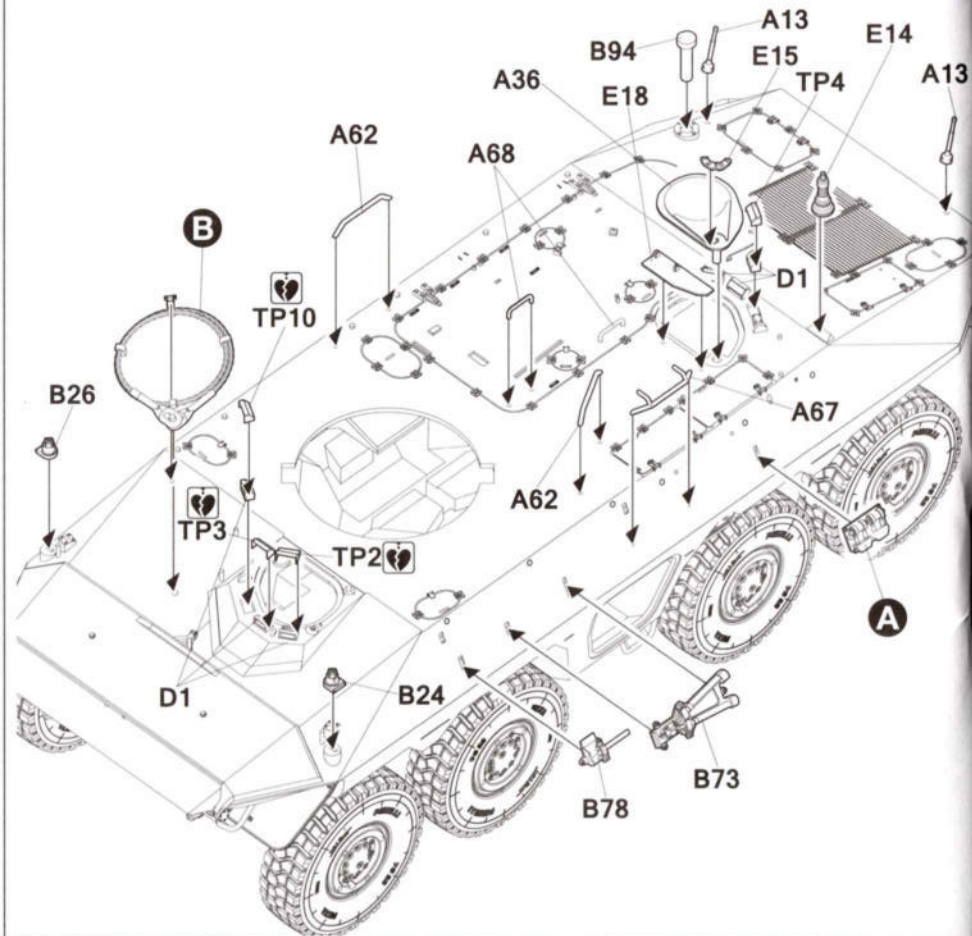
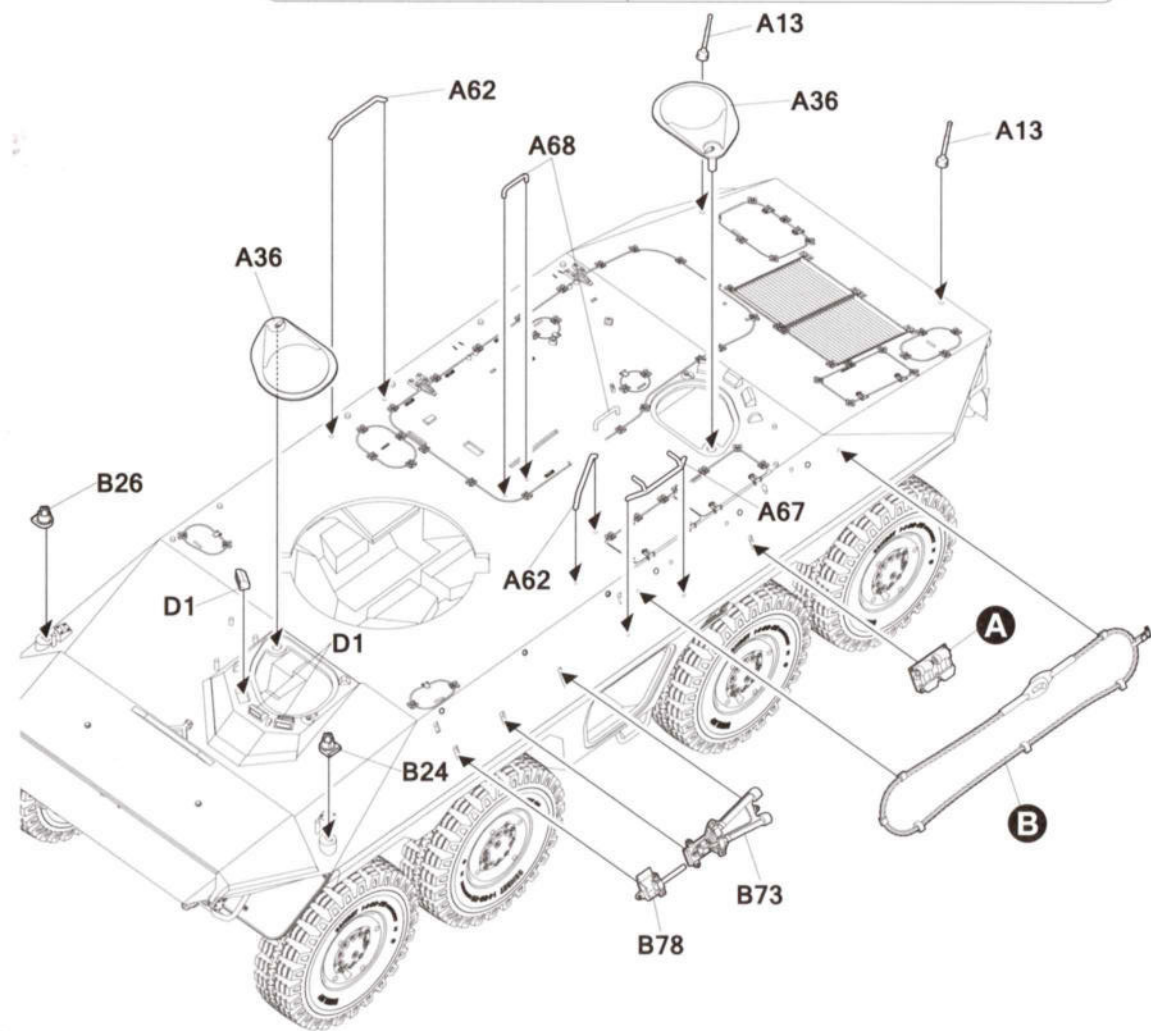
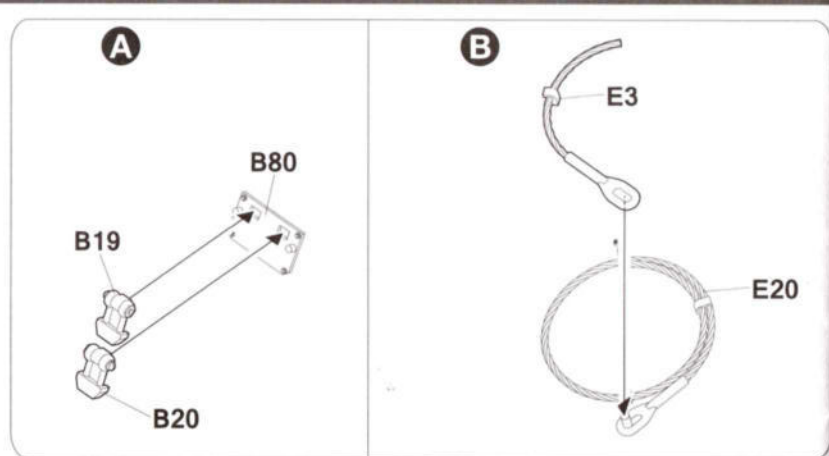
16



# 17 A1

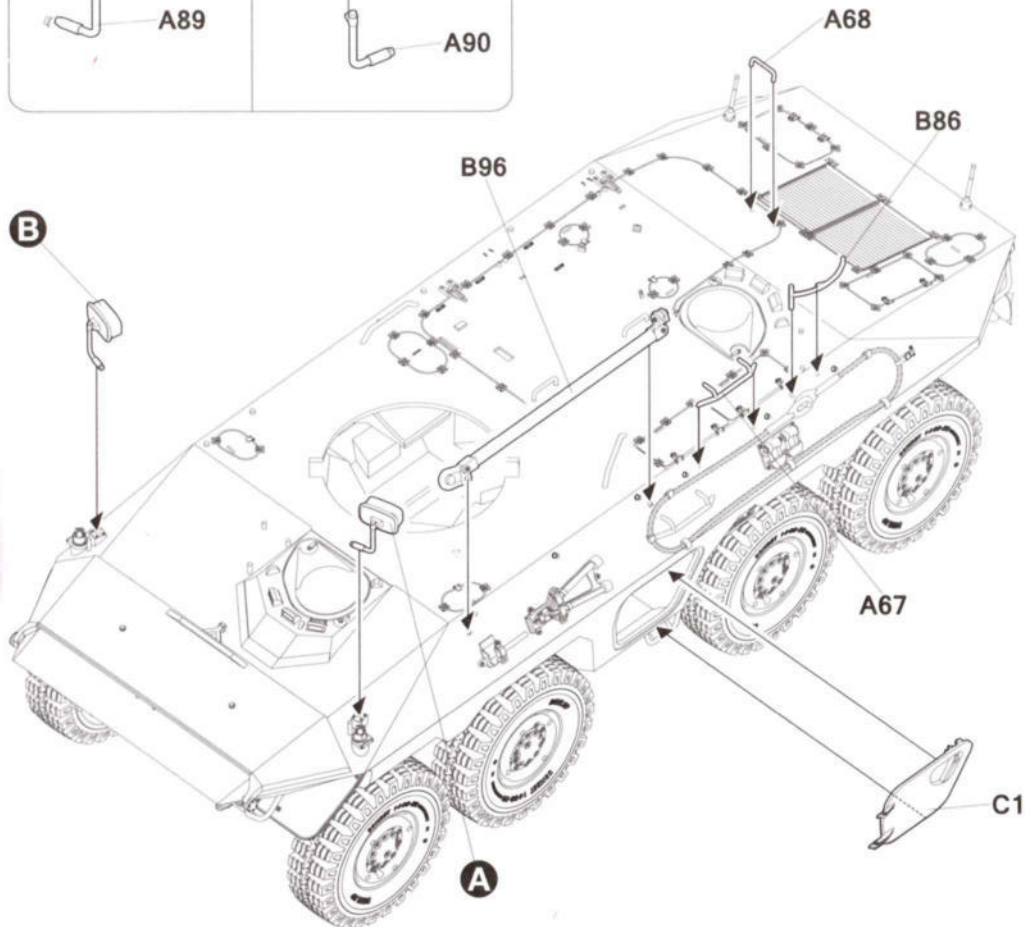
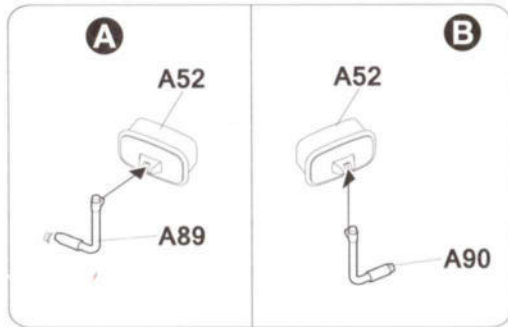
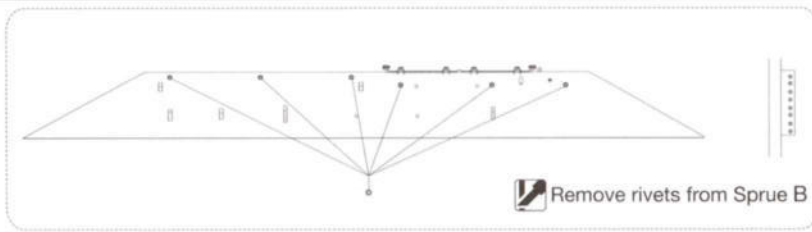


# A2

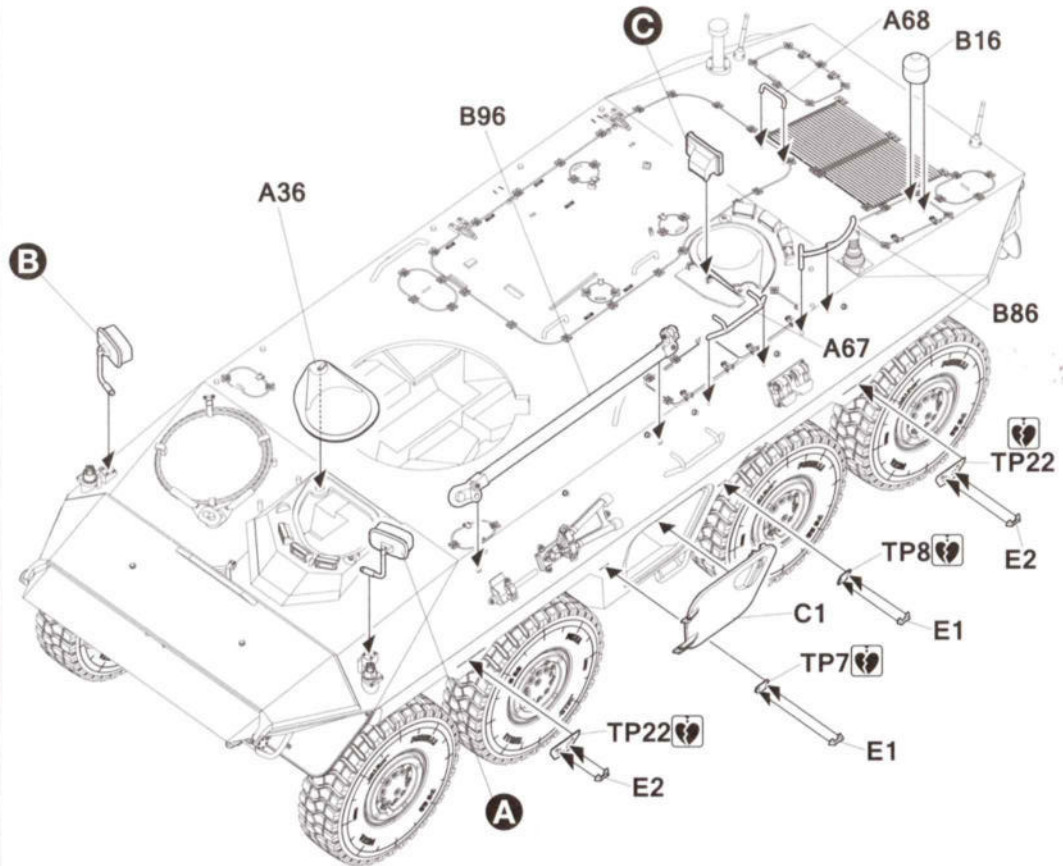
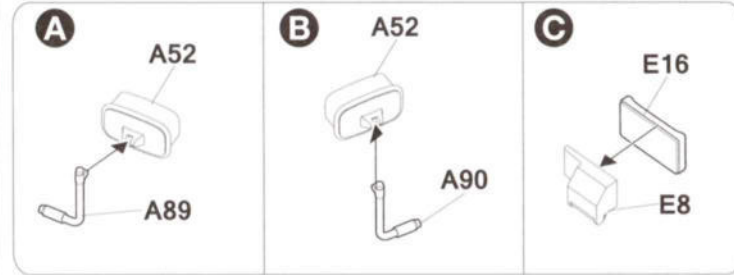
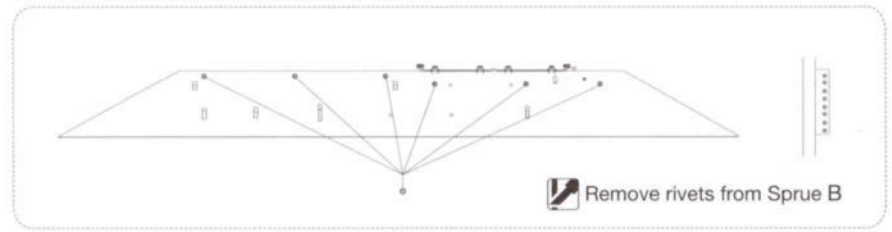




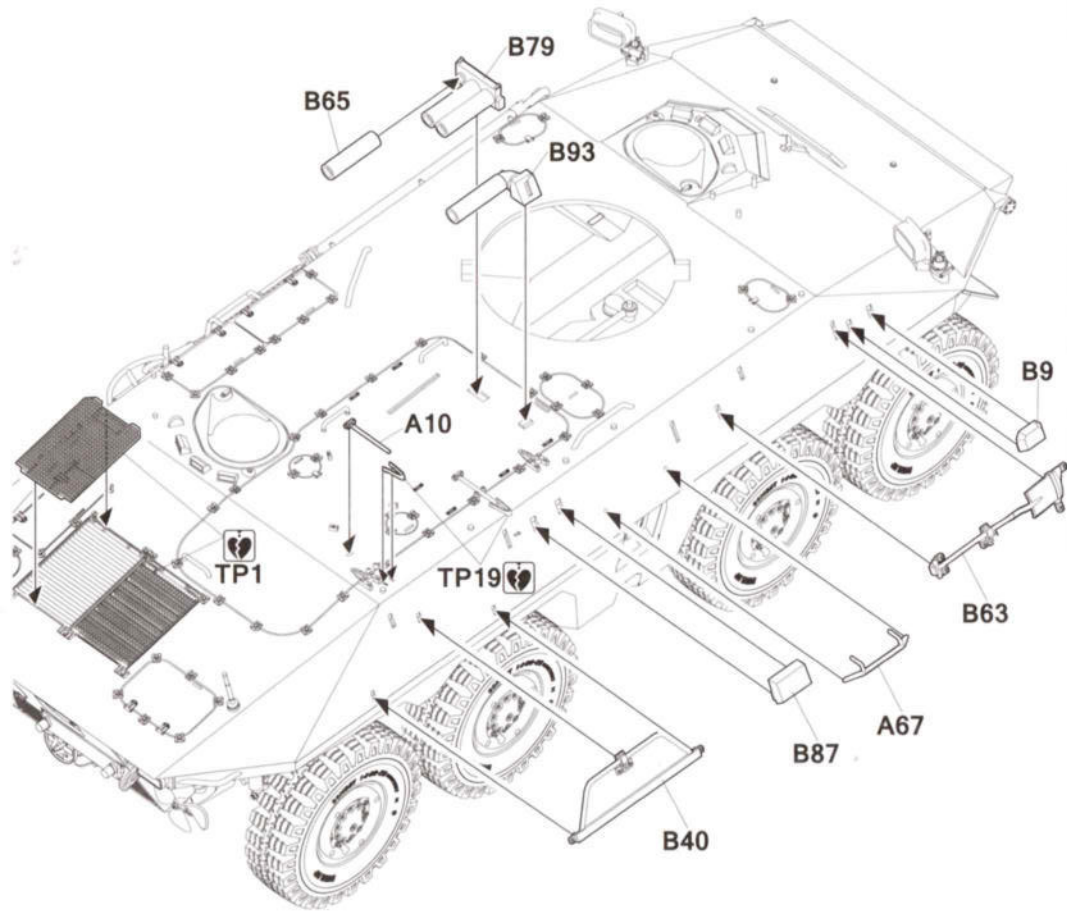
# 18 A1



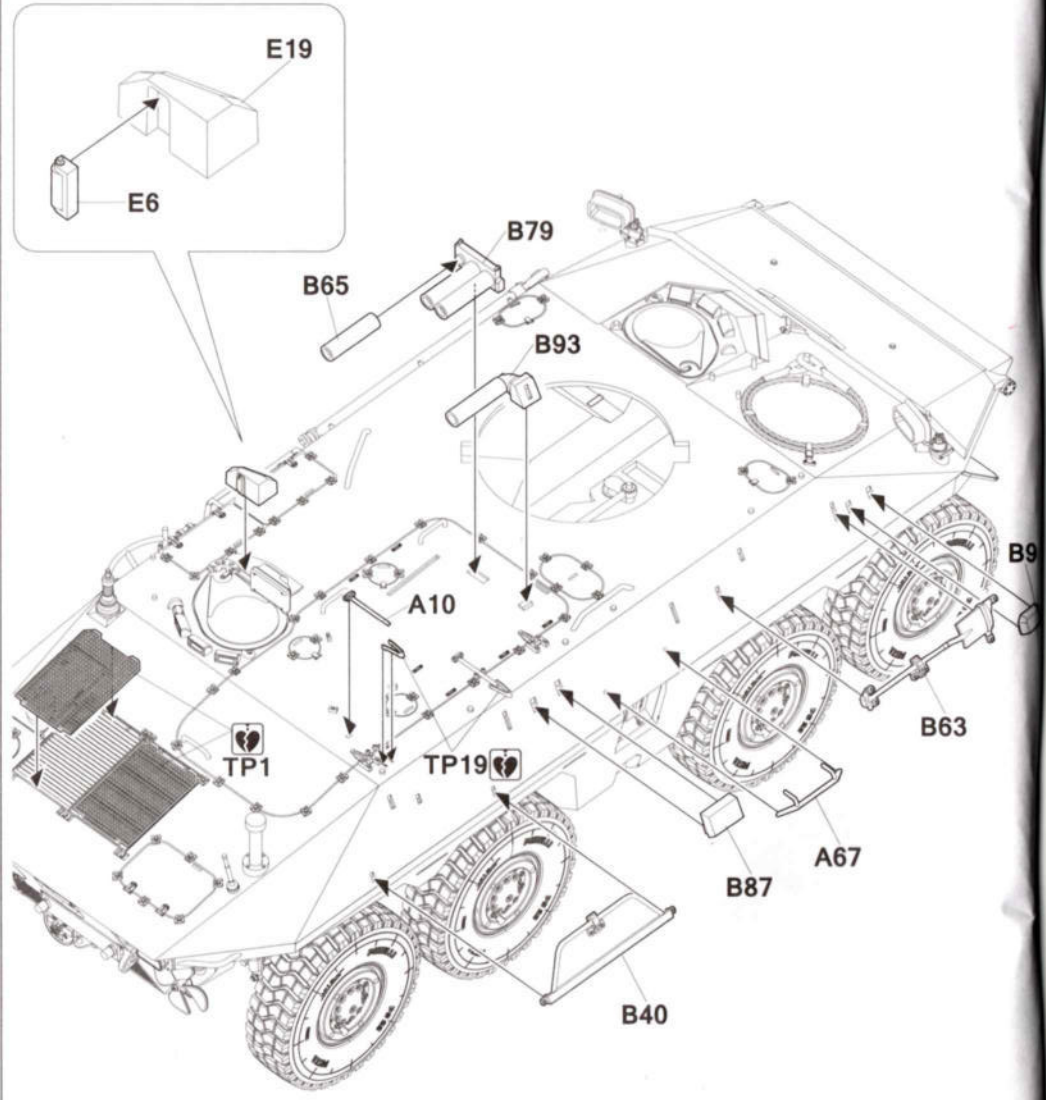
# A2



# 19 A1

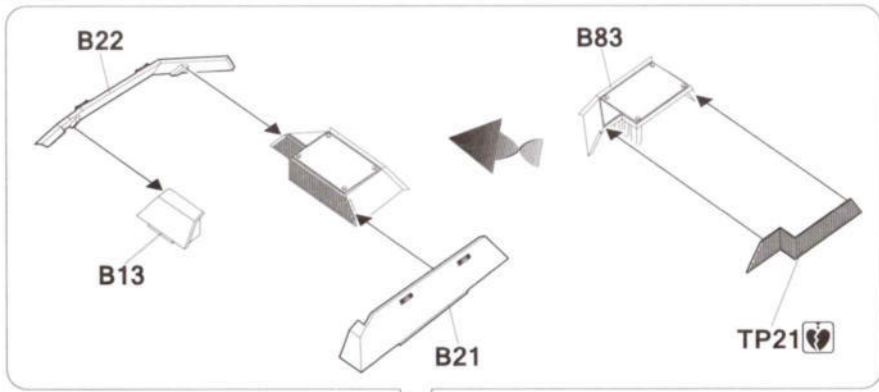


# A2

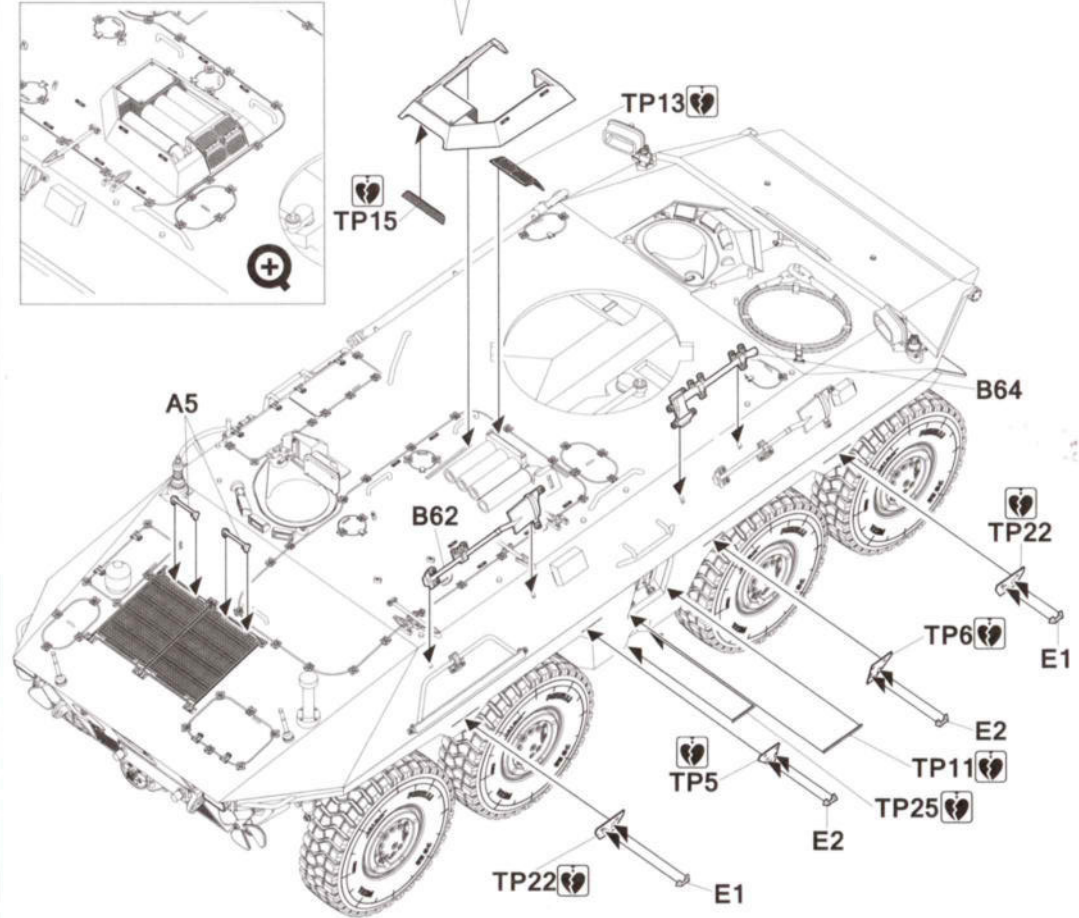
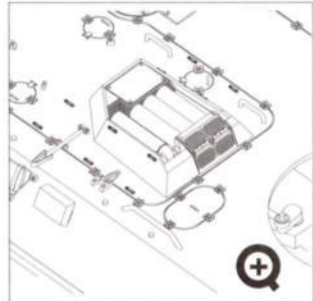
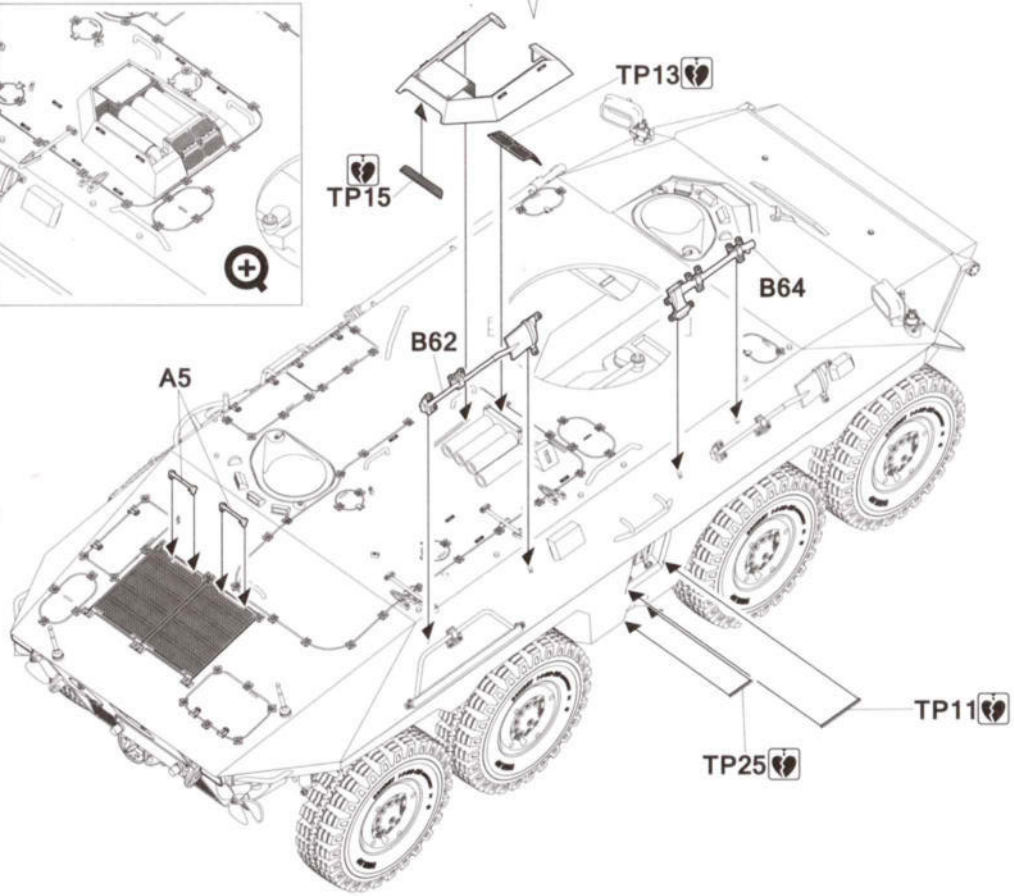
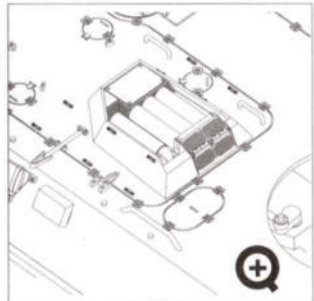
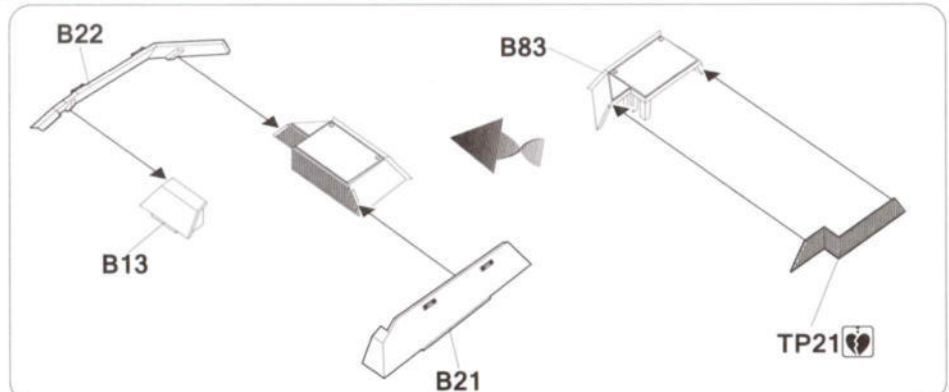




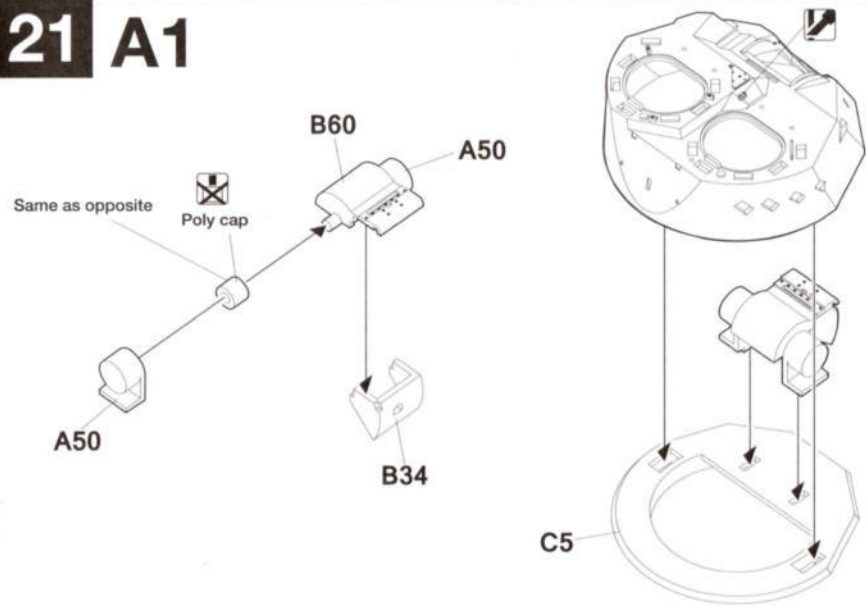
A1



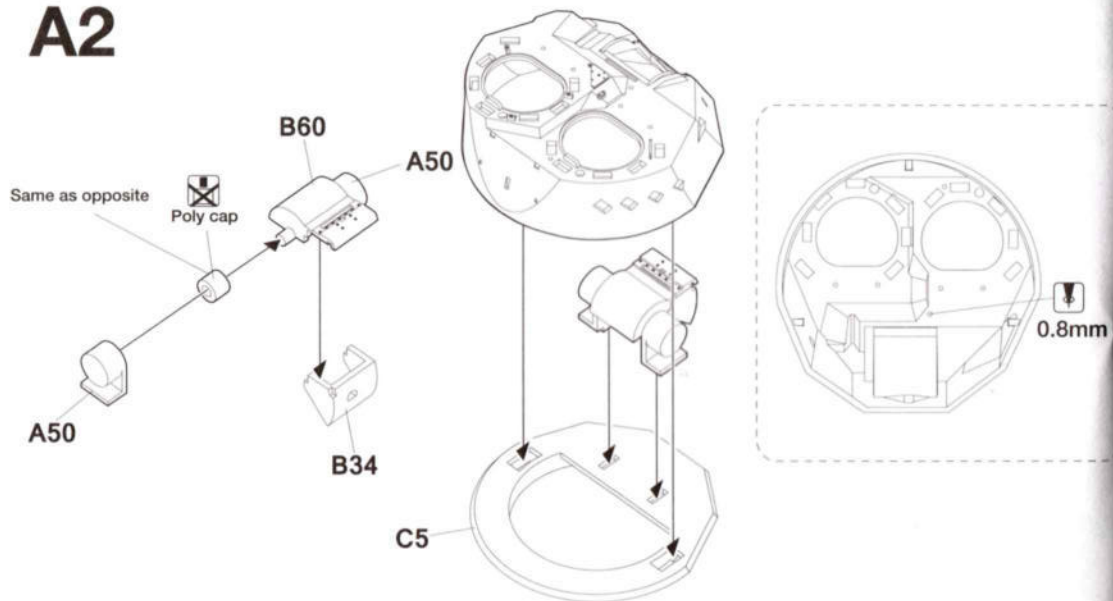
A2



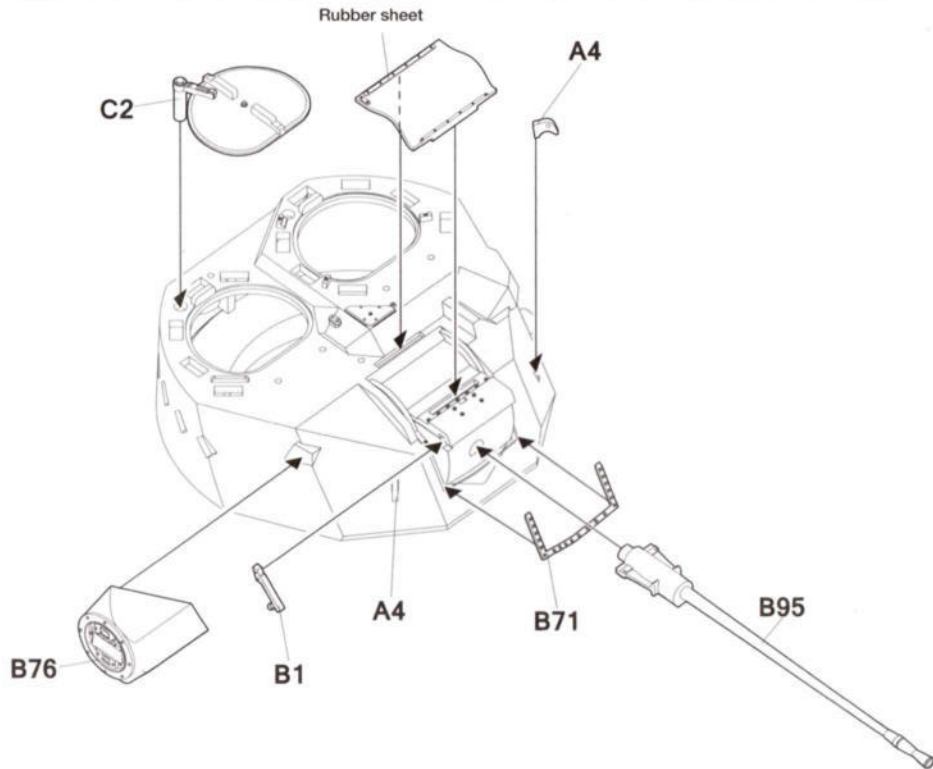
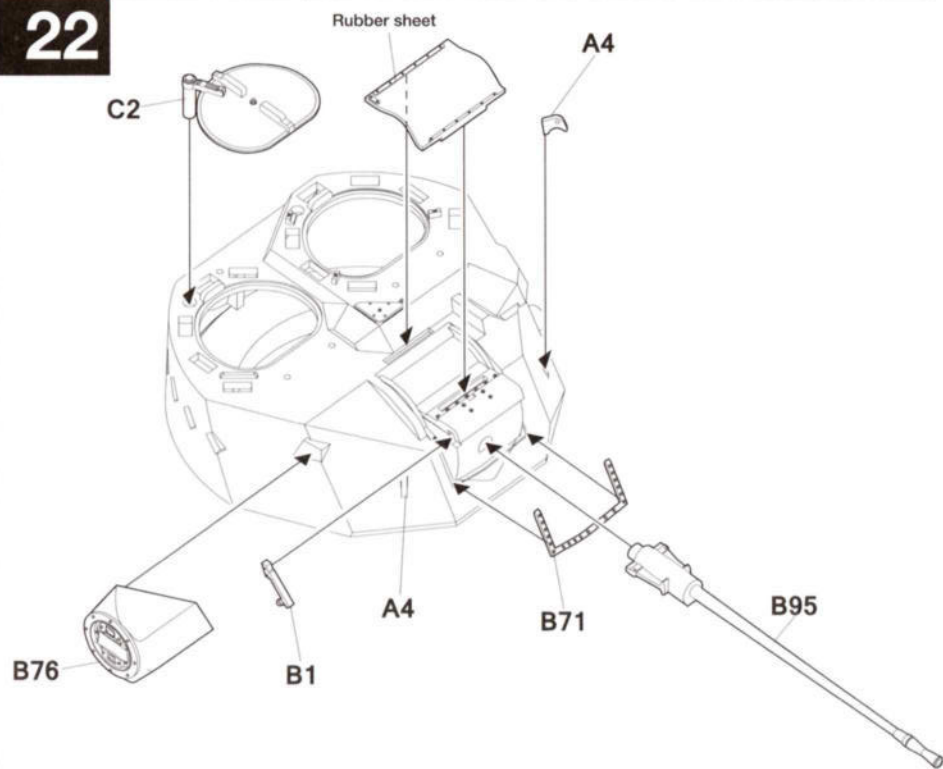
# 21 A1



# A2

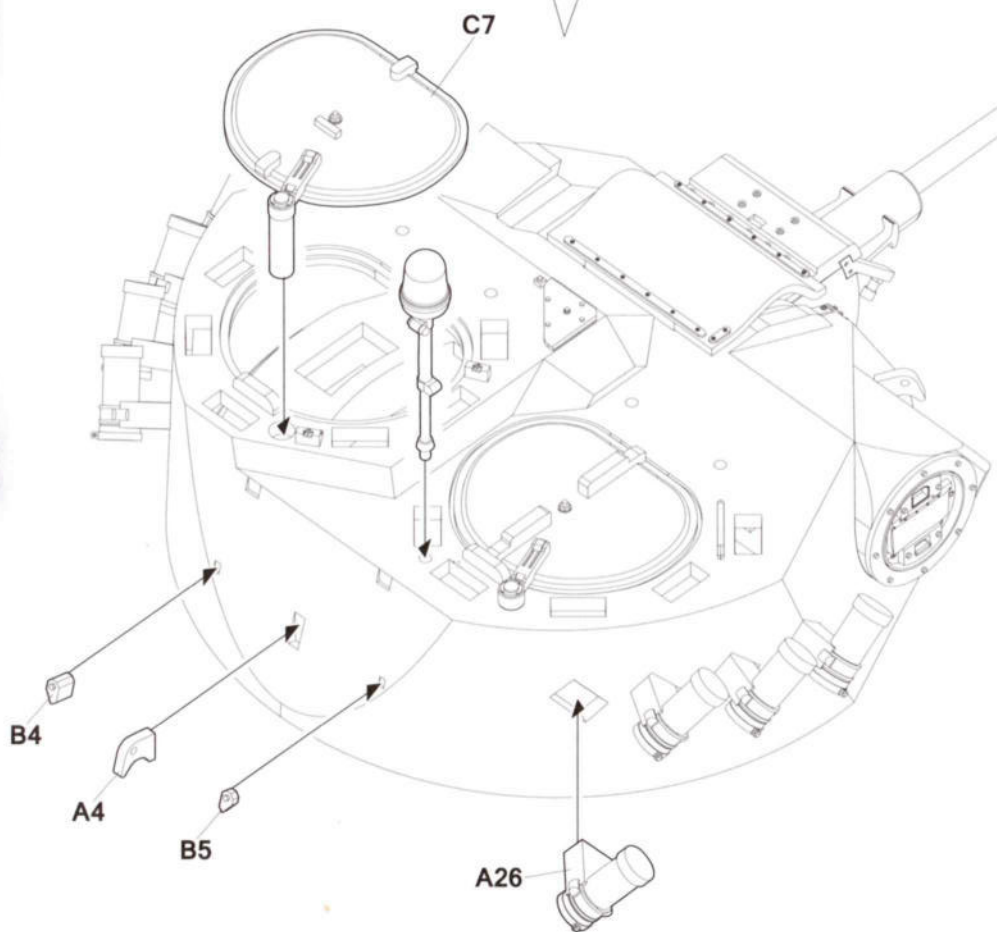
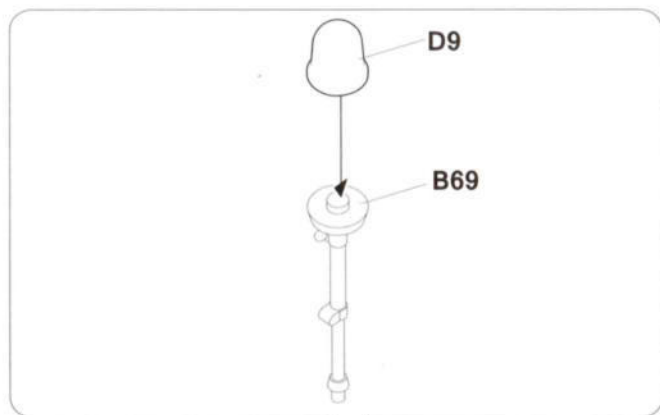


# 22

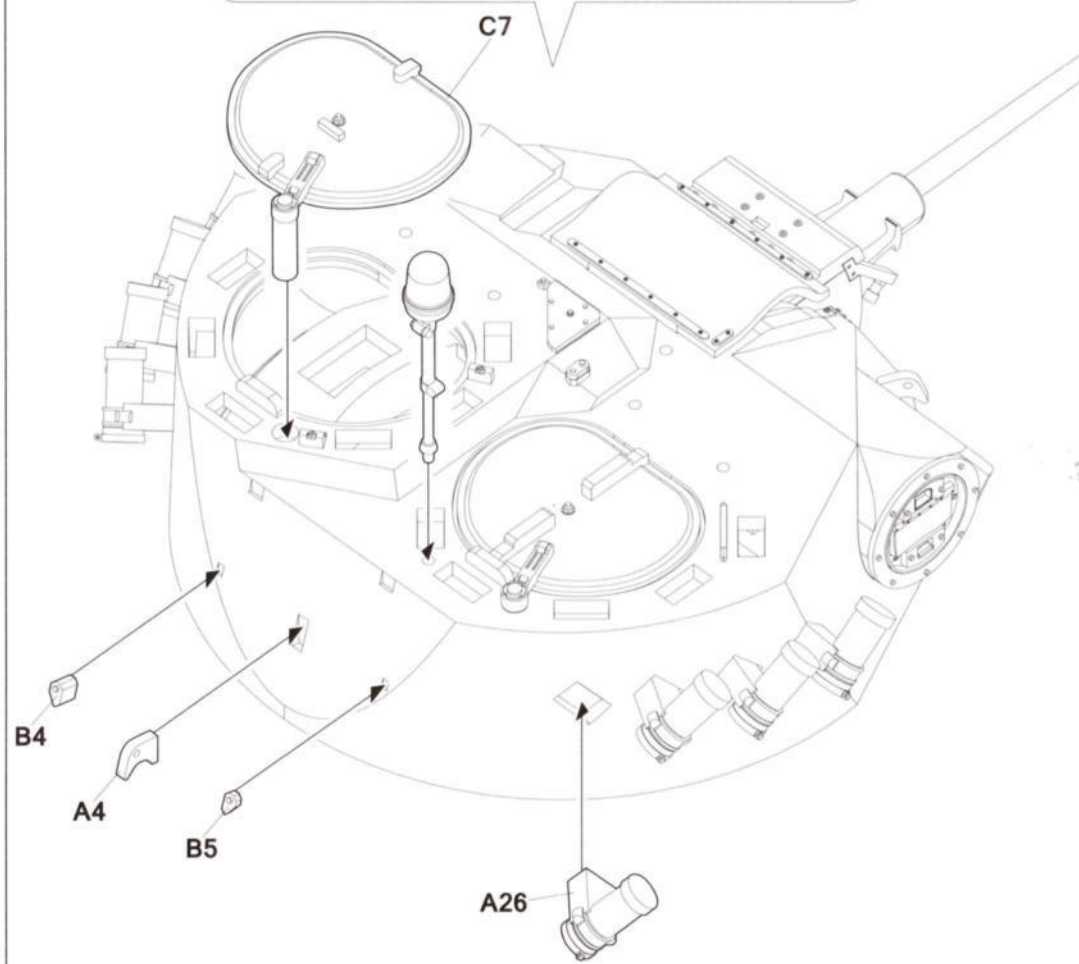
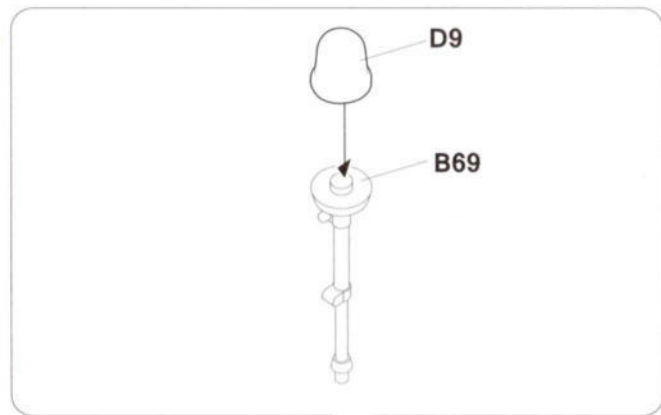




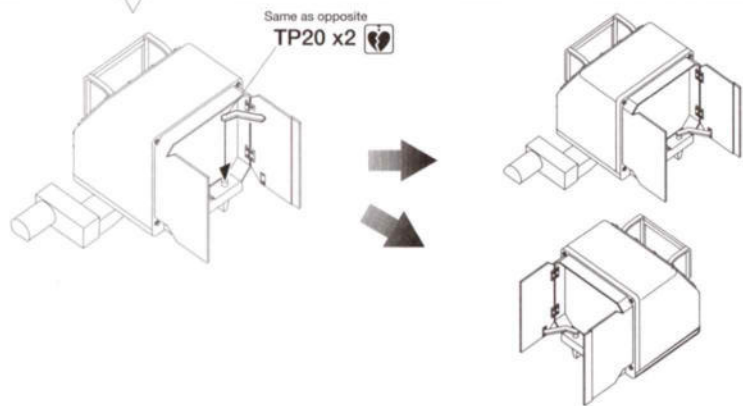
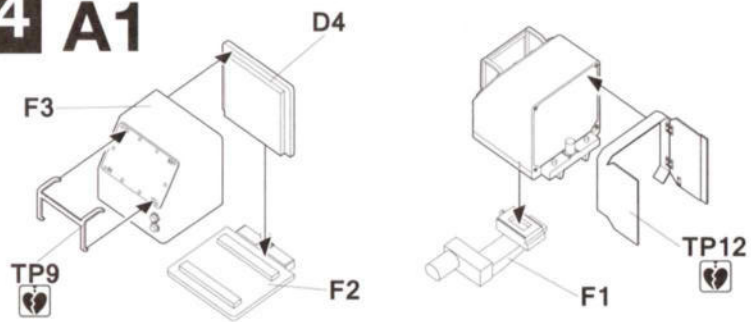
# 23 A1



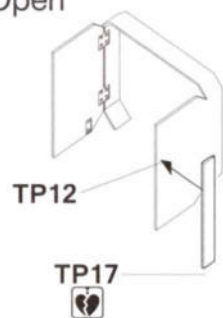
# A2



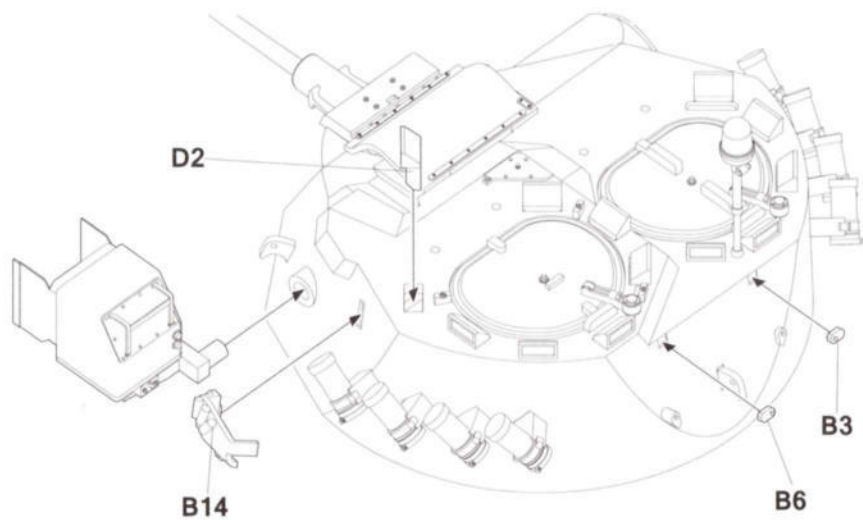
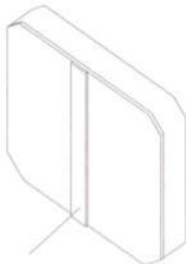
# 24 A1



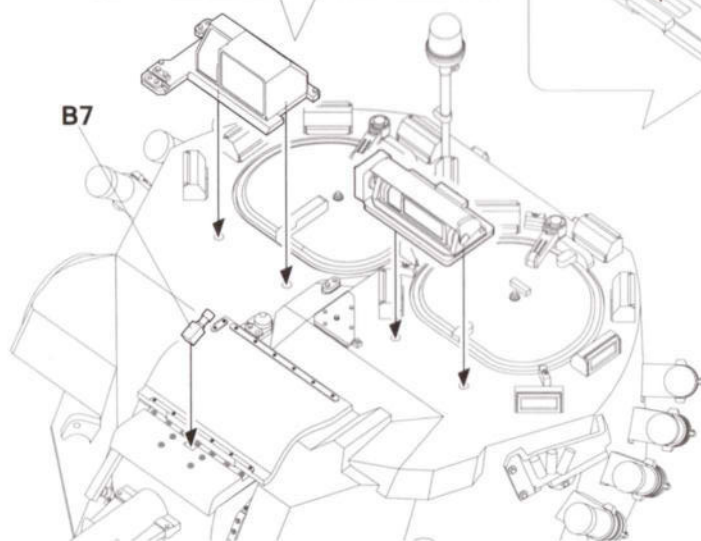
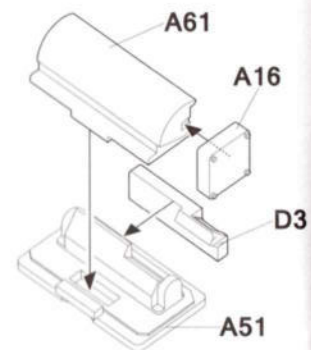
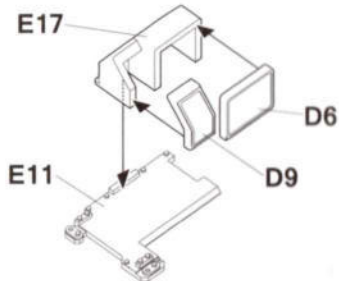
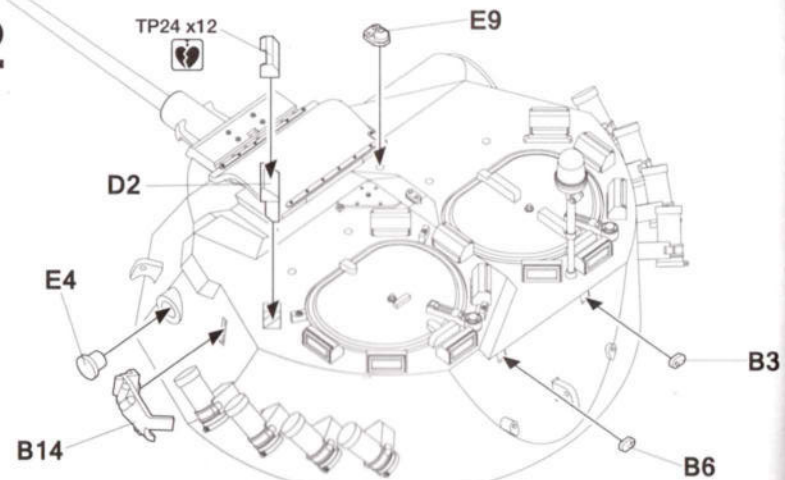
Open



Closed

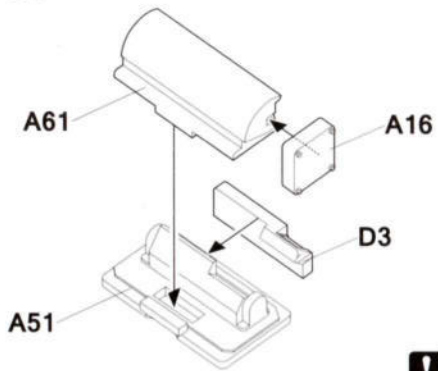


# A2



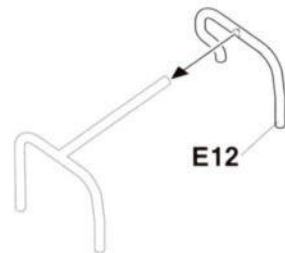
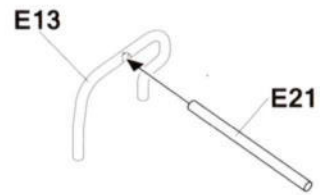
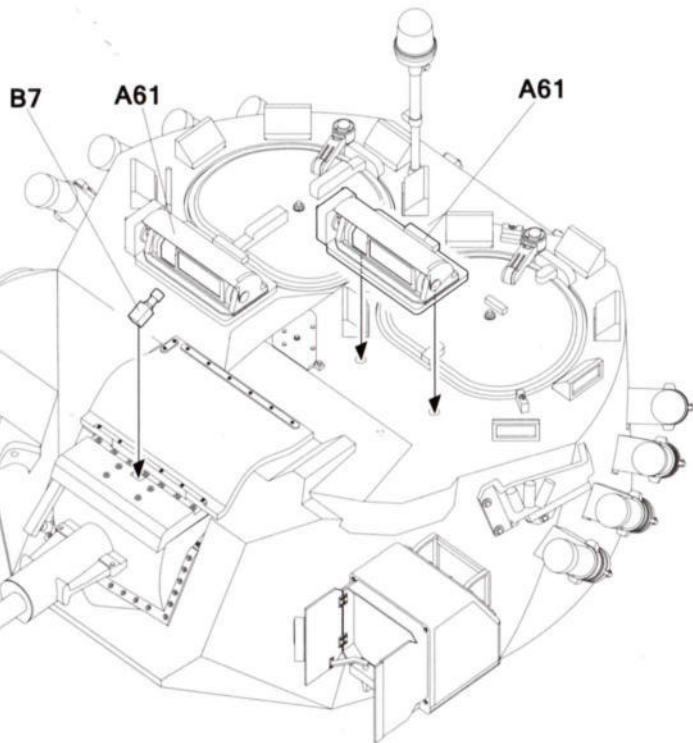
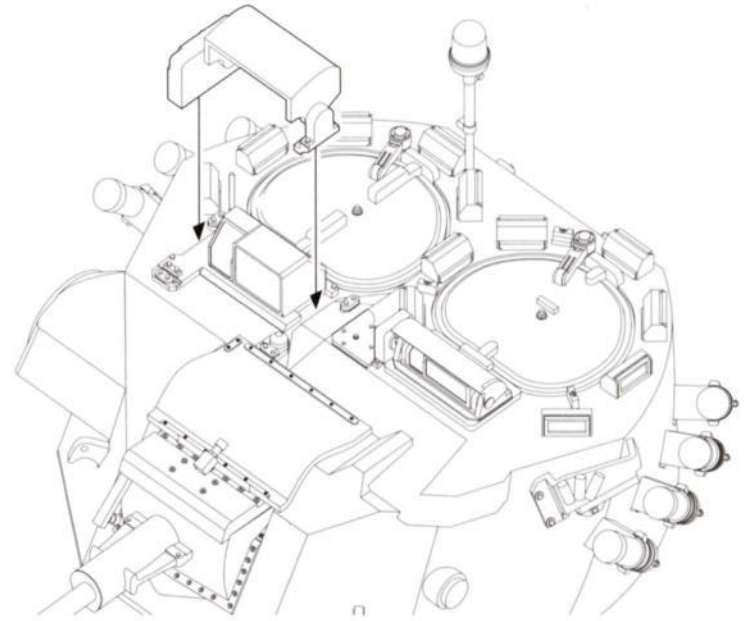
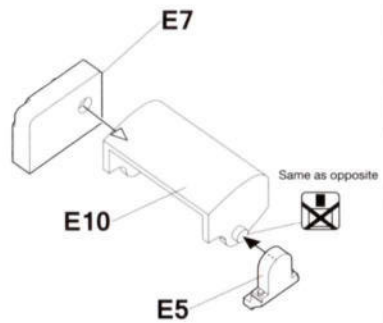


# 25 A1

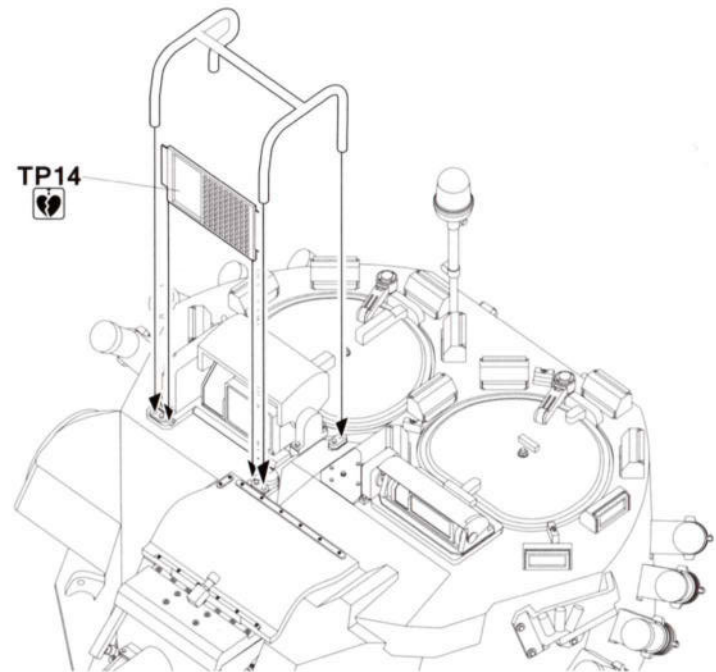


**Make 2**

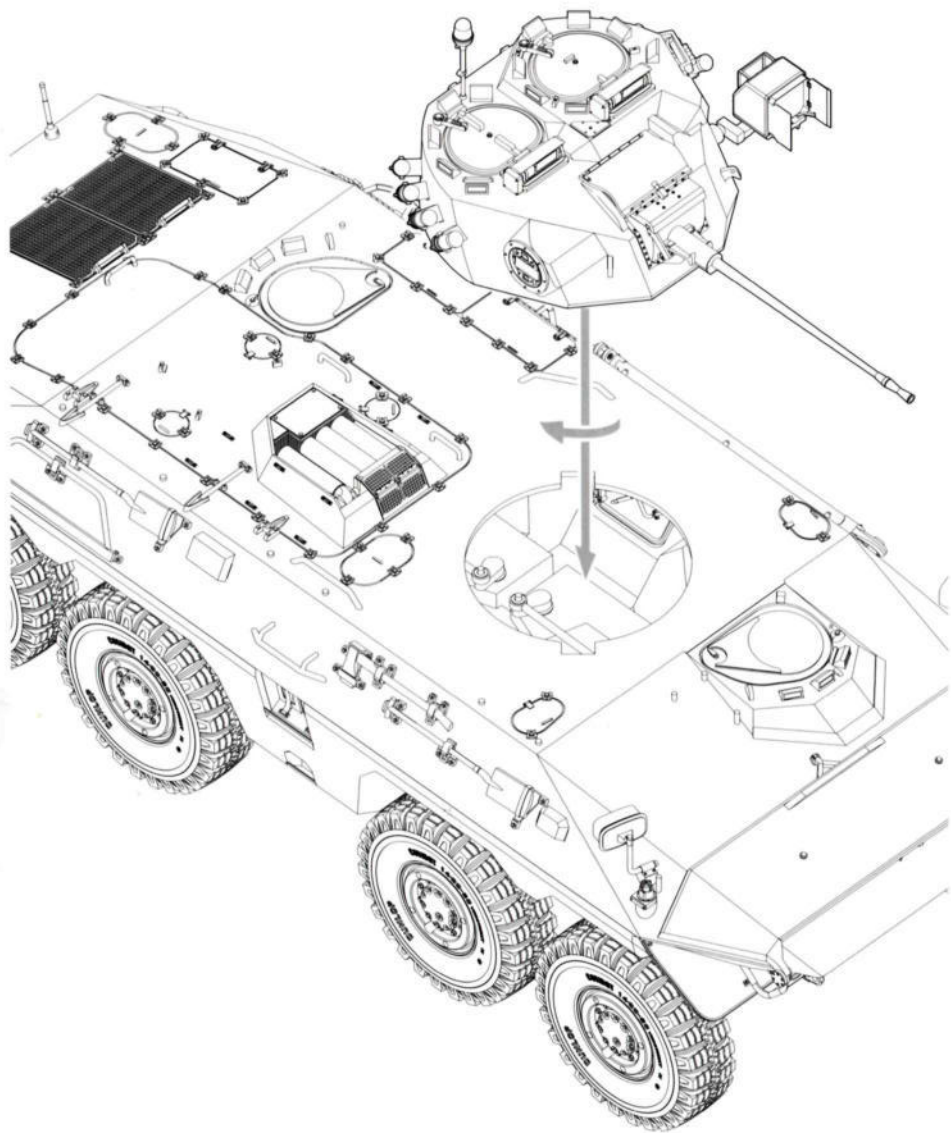
# A2



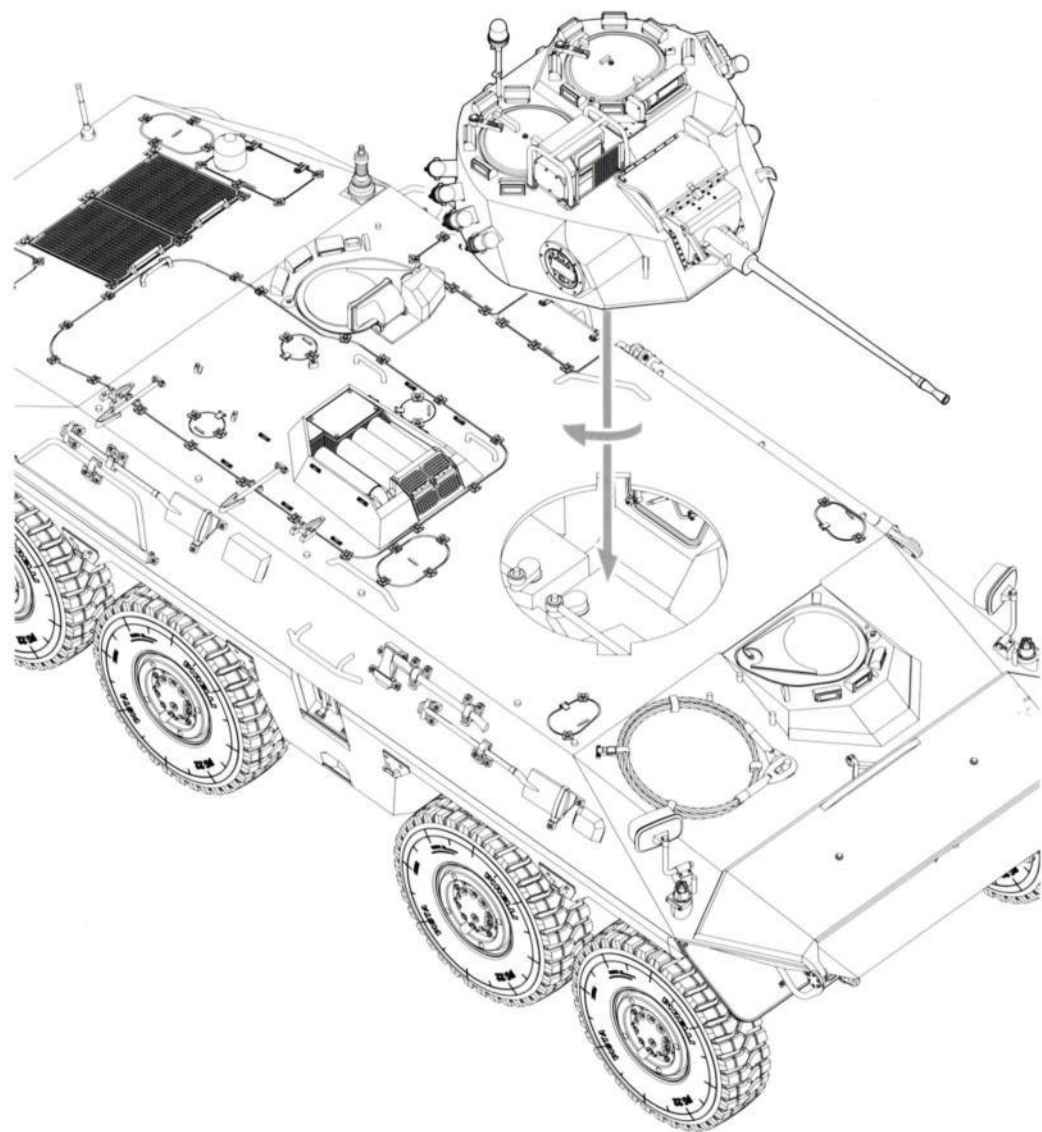
TP14



26 A1

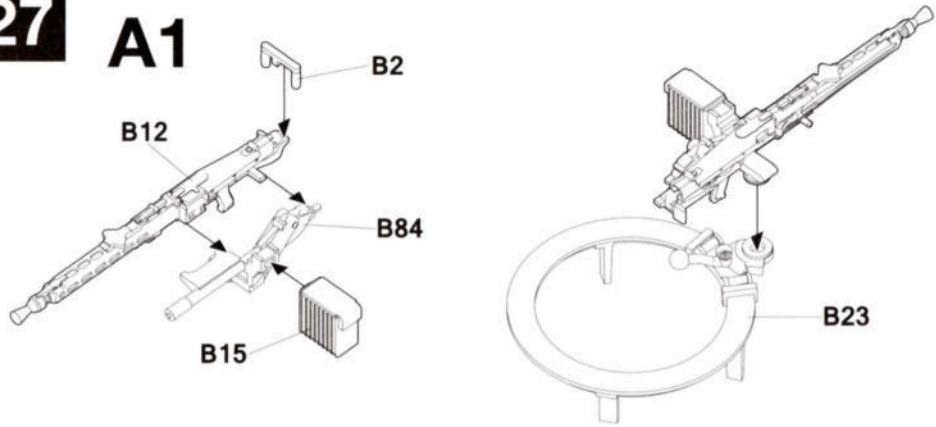


A2

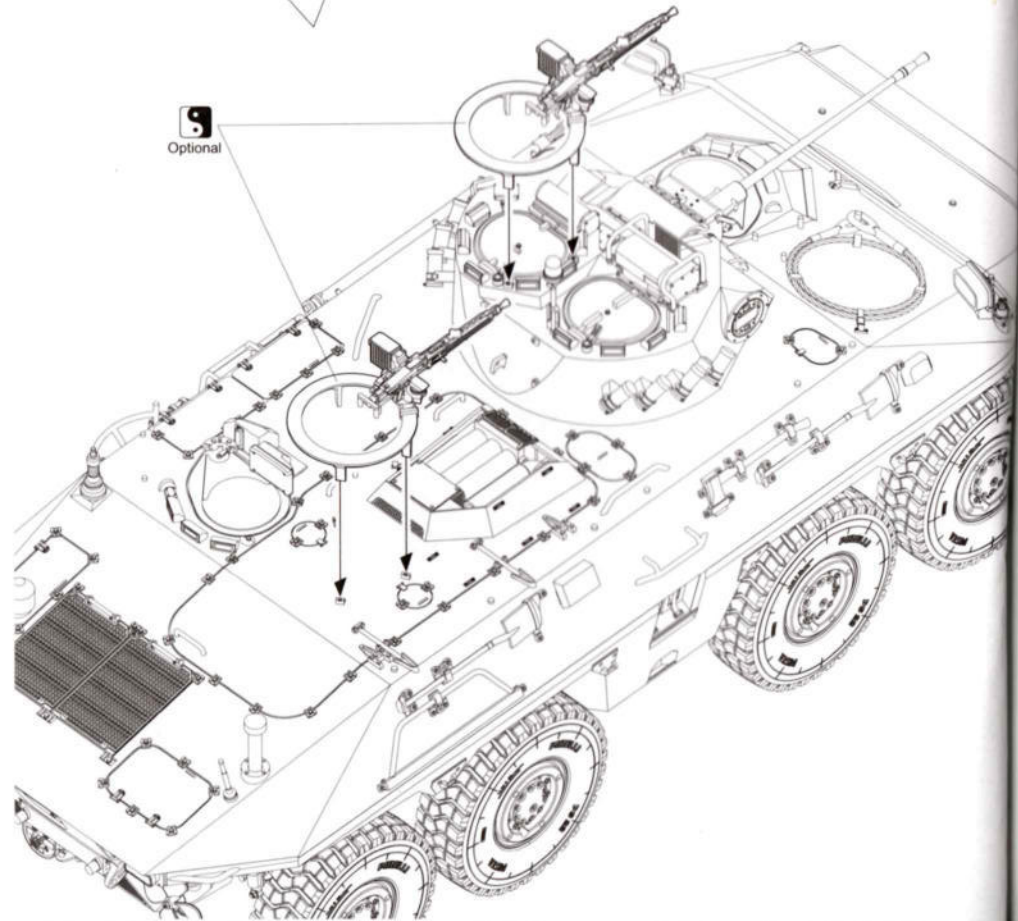
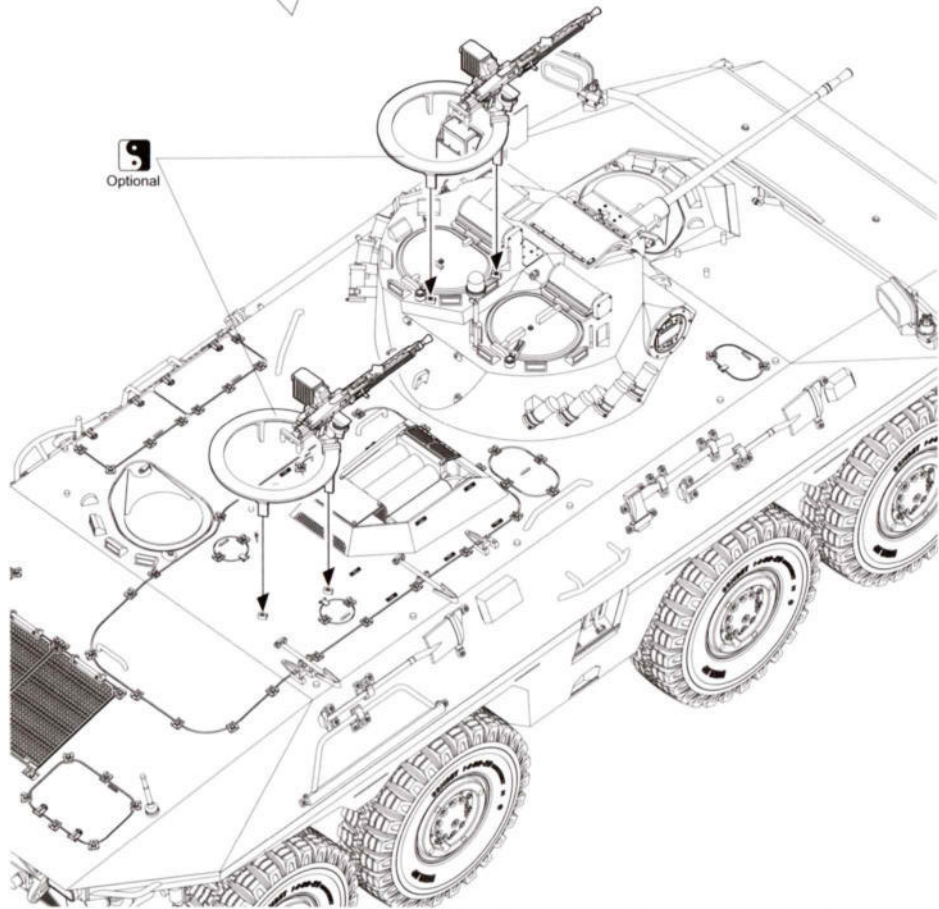
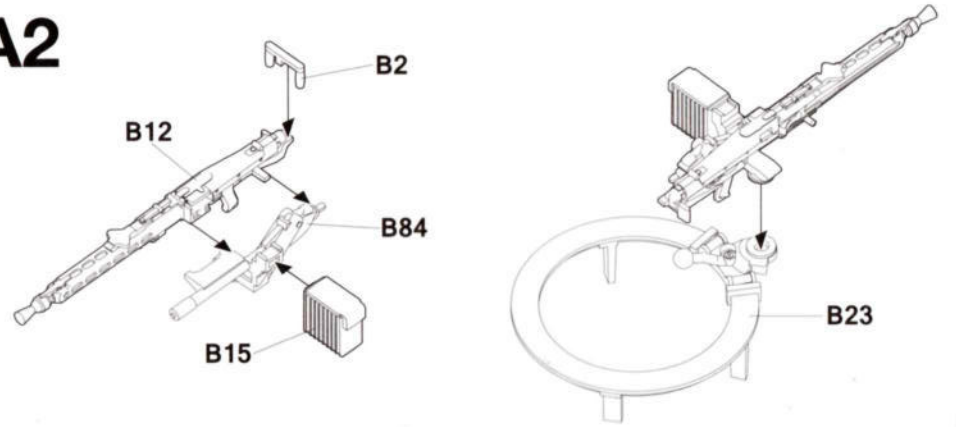




A1



A2

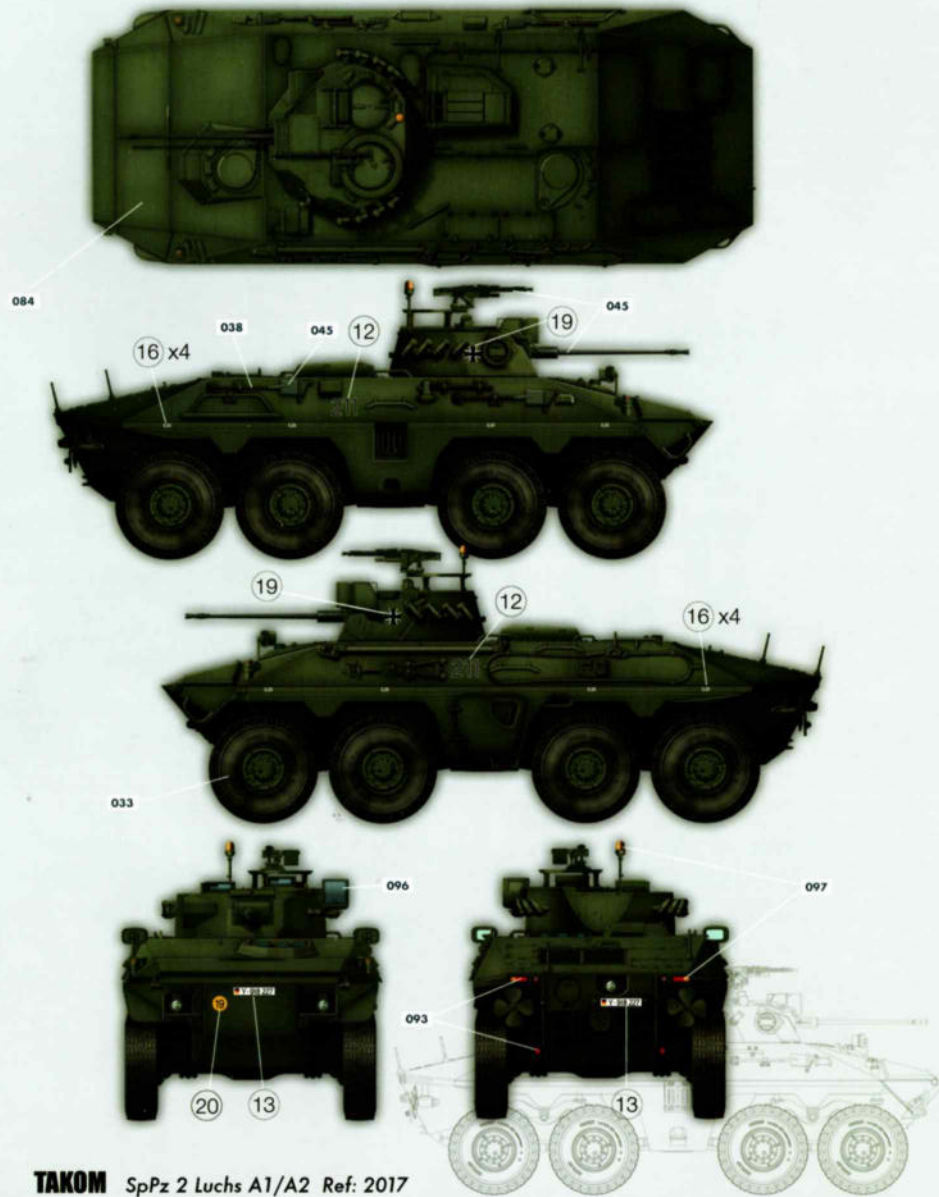


Painting and Marking Guide

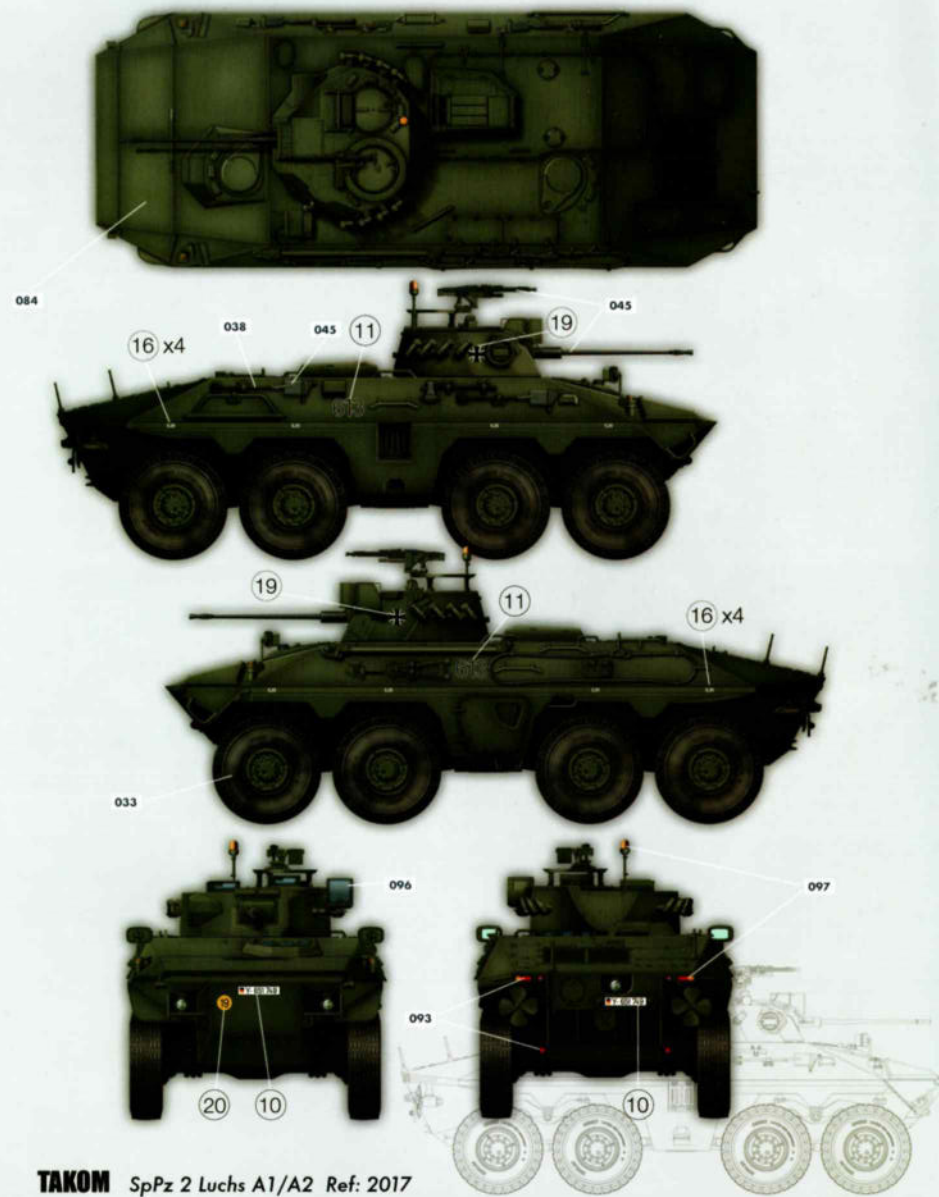
- A.MIG 045 Gun Metal
- A.MIG 097 Crystal Orange
- A.MIG 093 Crystal Red
- A.MIG 084 NATO Green
- A.MIG 033 Rubber & Tires
- A.MIG 038 Light Wood
- A.MIG 096 Crystal Periscope Green

Painting and Marking Guide

- A.MIG 045 Gun Metal
- A.MIG 097 Crystal Orange
- A.MIG 093 Crystal Red
- A.MIG 084 NATO Green
- A.MIG 033 Rubber & Tires
- A.MIG 038 Light Wood
- A.MIG 096 Crystal Periscope Green



**TAKOM** SpPz 2 Luchs A1/A2 Ref: 2017



**TAKOM** SpPz 2 Luchs A1/A2 Ref: 2017





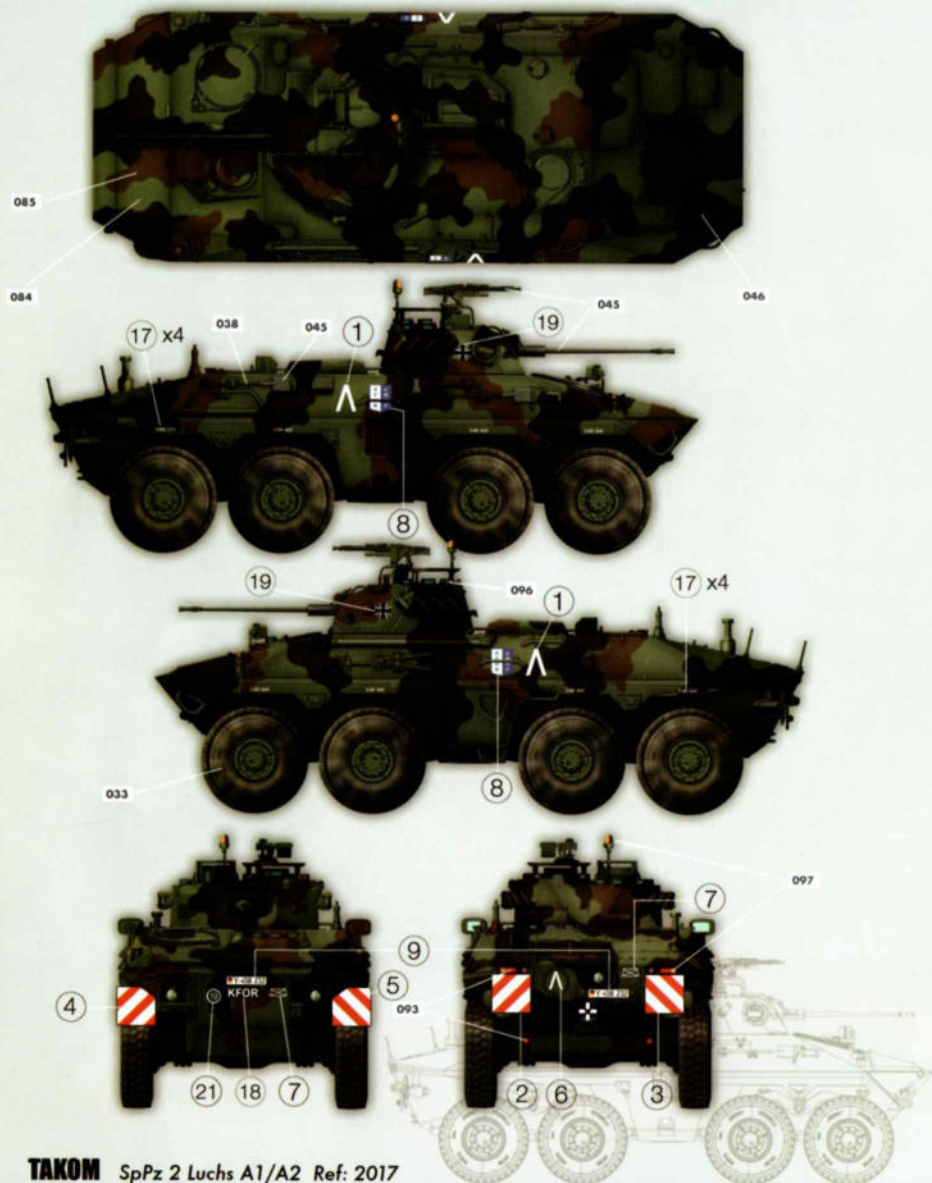
# SpPz 2 Luchs A2

Color info and profiles by



## Painting and Marking Guide

A.MIG 045	Gun Metal	A.MIG 097	Crystal Orange	A.MIG 093	Crystal Red	A.MIG 084	NATO Green	A.MIG 085	NATO Brown
A.MIG 033	Rubber & Tires	A.MIG 038	Light Wood	A.MIG 096	Crystal Petascope Green	A.MIG 066	Matt Black		



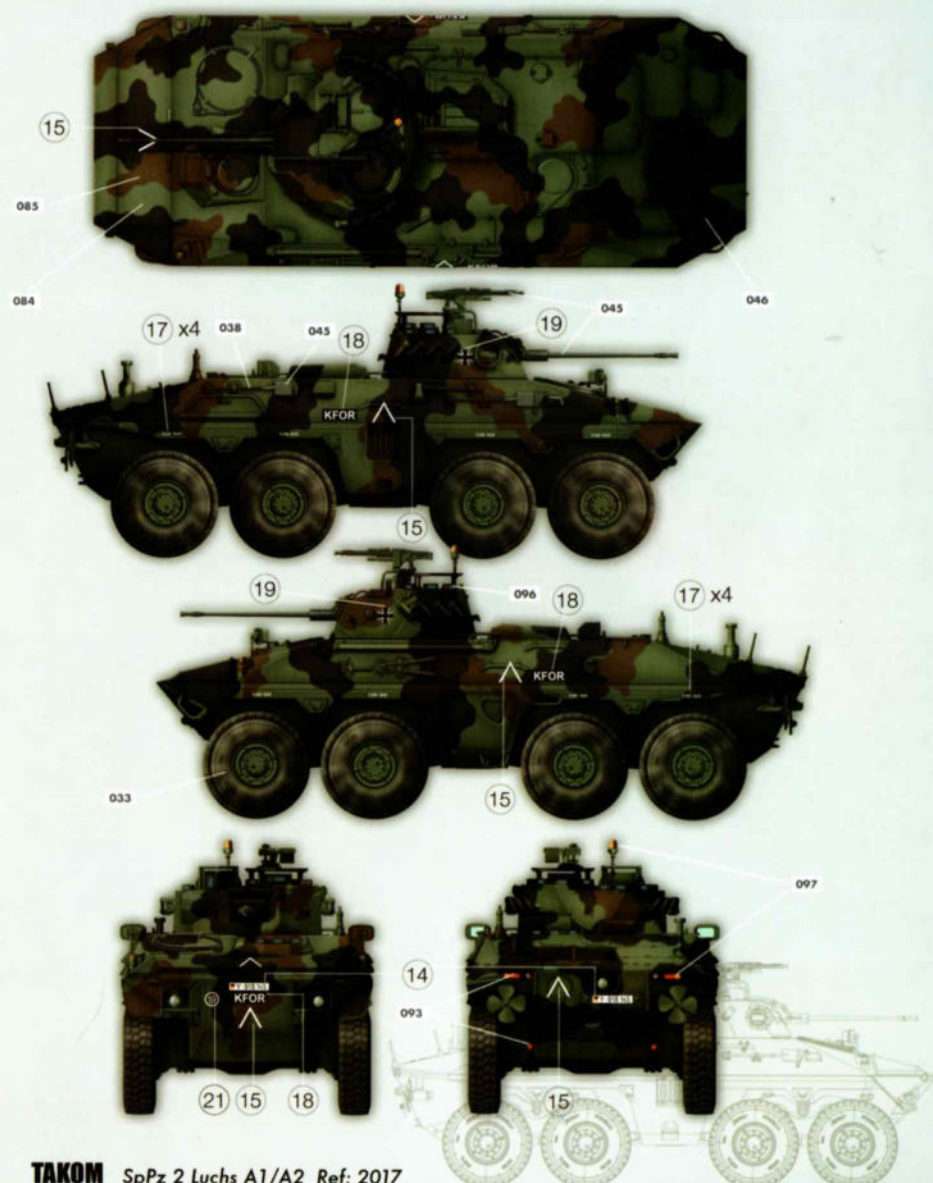
# SpPz 2 Luchs A2

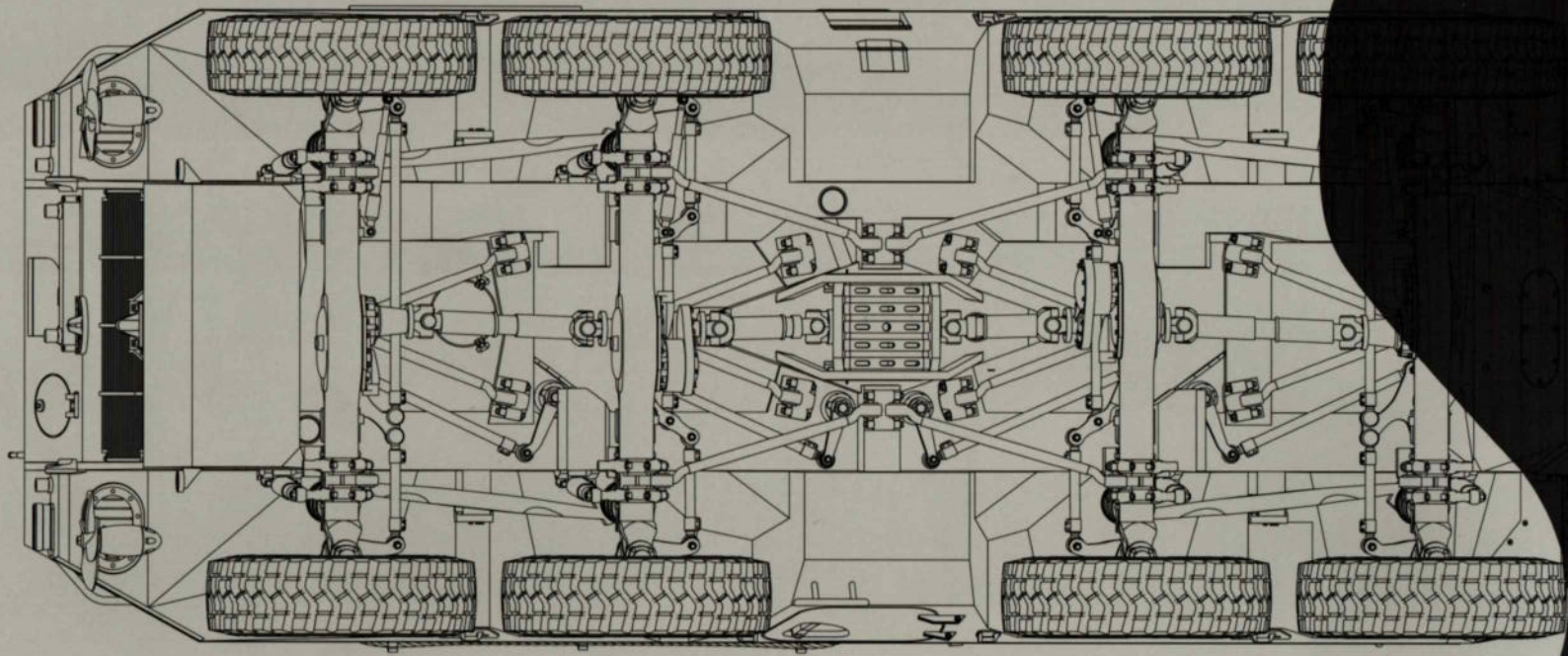
Color info and profiles by



## Painting and Marking Guide

A.MIG 045	Gun Metal	A.MIG 097	Crystal Orange	A.MIG 093	Crystal Red	A.MIG 084	NATO Green	A.MIG 085	NATO Brown
A.MIG 033	Rubber & Tires	A.MIG 038	Light Wood	A.MIG 096	Crystal Petascope Green	A.MIG 066	Matt Black		





2015/2017