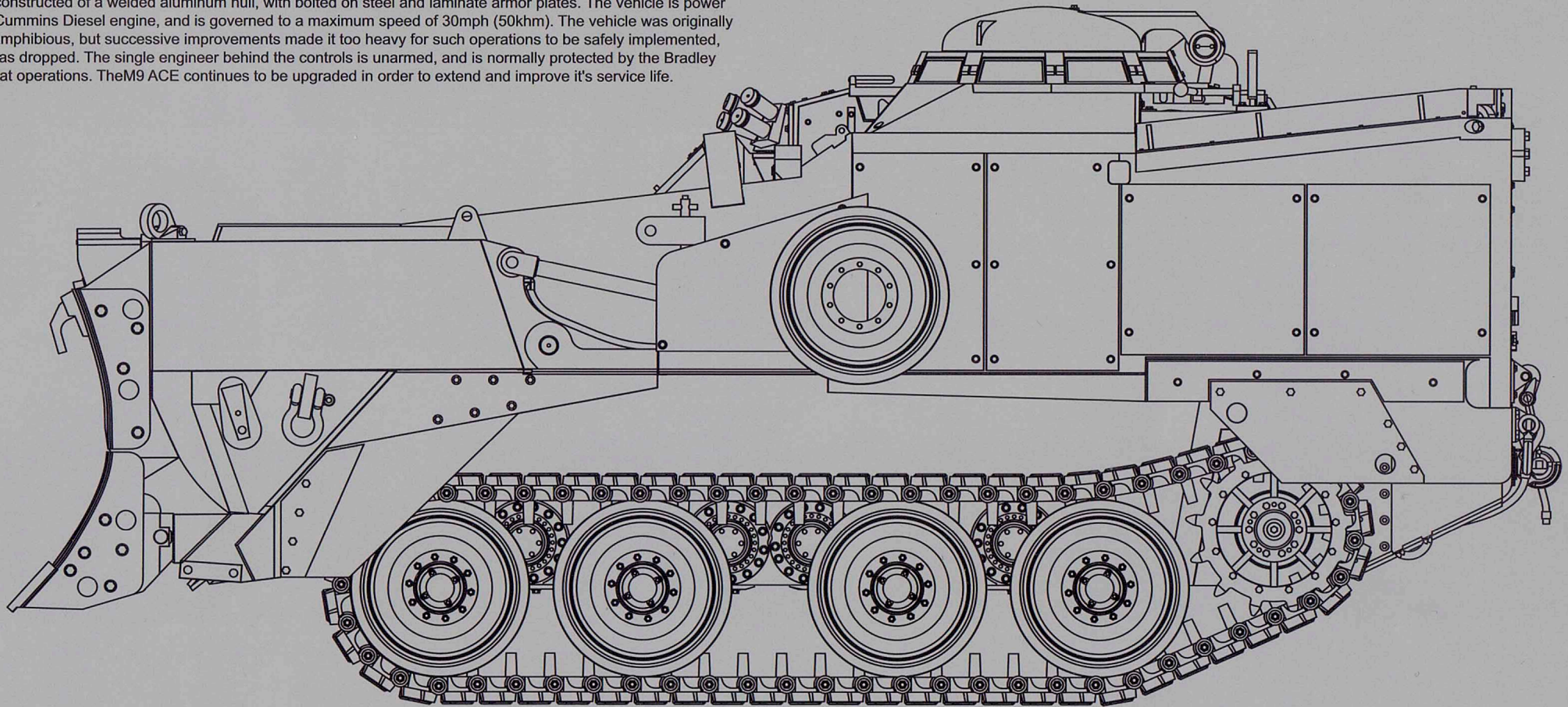


# U.S ARMORED COMBAT EARTHMOVER

# M9 ACE

The M9 ACE (Armored Combat Earthmover) was produced by BMV Combat Systems, and was first fielded by the U.S. Army in 1986. It has since been embraced by the USMC, as well as a few allied nations, and has seen action in the Persian Gulf wars of 1991 and 2003. This air-droppable engineering vehicle was designed to move earth, and fast. The unique hydropneumatic suspension allows the front end of the vehicle to tilt up or down and dig in with its dozer blade, the latter of which raises up and allows the 8.7 cubic yard capacity bowl to be filled with earth using the scraper blade. This can serve as a ballast, increasing its weight up to 55,000lbs (25,000kg) from a basic weight of 37000 lbs (17000kg), allowing it to perform heavier earth-moving operations, or the ACE can move its cargo of dirt to another location and push it out of the front end. The ACE is primarily used to dig emplacements for AFV's & artillery, dig tank ditches, breach berms, construct berms, repair roads, and clear obstacles.

The M9 ACE is constructed of a welded aluminum hull, with bolted on steel and laminate armor plates. The vehicle is powered by a 295hp Cummins Diesel engine, and is governed to a maximum speed of 30mph (50kmh). The vehicle was originally designed to be amphibious, but successive improvements made it too heavy for such operations to be safely implemented, so this feature was dropped. The single engineer behind the controls is unarmed, and is normally protected by the Bradley IFV during combat operations. The M9 ACE continues to be upgraded in order to extend and improve its service life.





# READ BEFORE ASSEMBLY

## CAUTION

- Read carefully and fully understand the instructions before commencing assembly. A supervising adult should also read the instructions if a child assembles the model.
- When assembling this kit, tools including knives used. Extra care should be taken to avoid personal injury.
- Keep out of reach of small children. Children must not be allowed to suck any part, or pull vinyl bag over their heads.



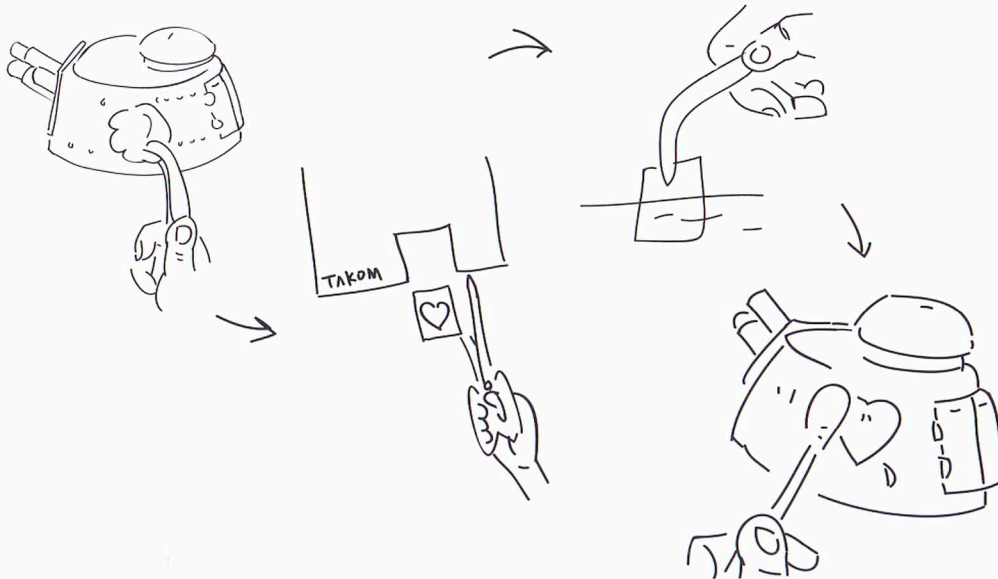
## PAINTS REQUIRED

Color info and profiles by Mig Jimenez

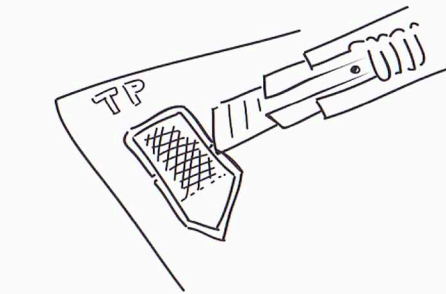
A.MIG 033	Rubber & Tires	A.MIG 041	Dark Rust	A.MIG 045	Gun Metal	A.MIG 094	Crystal Glass
A.MIG 087	Crystal Orange	A.MIG 194	Aluminium	A.MIG 071	Khaki	A.MIG 029	Desert Sand
A.MIG 046	Matt Black	A.MIG 084	NATO Green	A.MIG 085	NATO Borwn	A.MIG 025	Desert Sand
A.MIG 098	Crystal Perisope Green	A.MIG 081	US Olive Drab	A.MIG 905	Dunkelgelb Shine		

## APPLYING DECALS

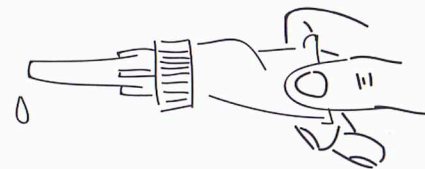
1. Clean the model surface with a wet cloth.
2. Cut out each decal design from sheet, and dip it in tepid water for 15~20 sec.
3. Hold the backing sheet edge and slide decal onto the model.
4. Move decal into position by wetting decal with finger.
5. Press decal gently down with a soft cloth until excess water and air bubbles are gone.



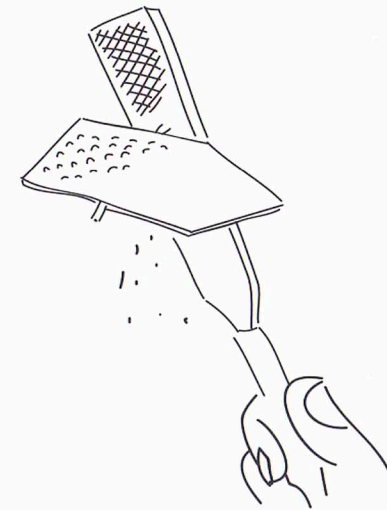
## REMOVING PE



Be careful not to hurt when removing PE parts.

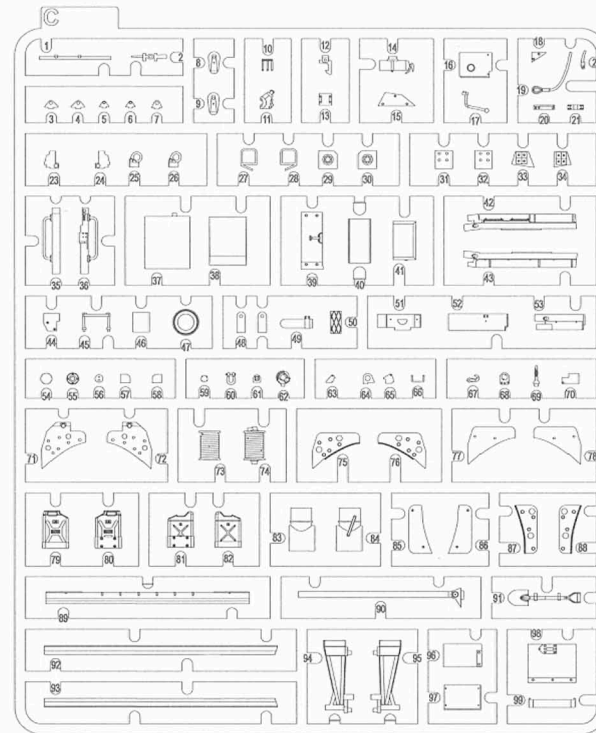
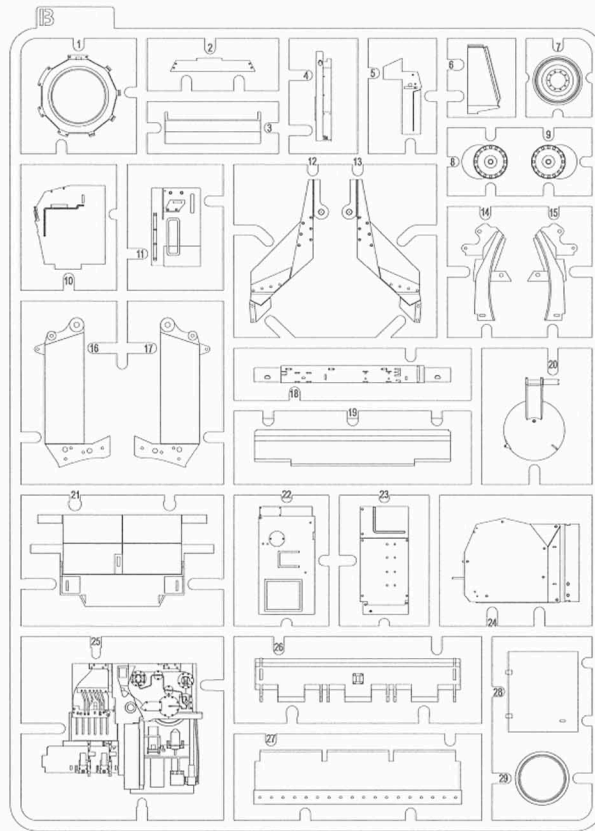
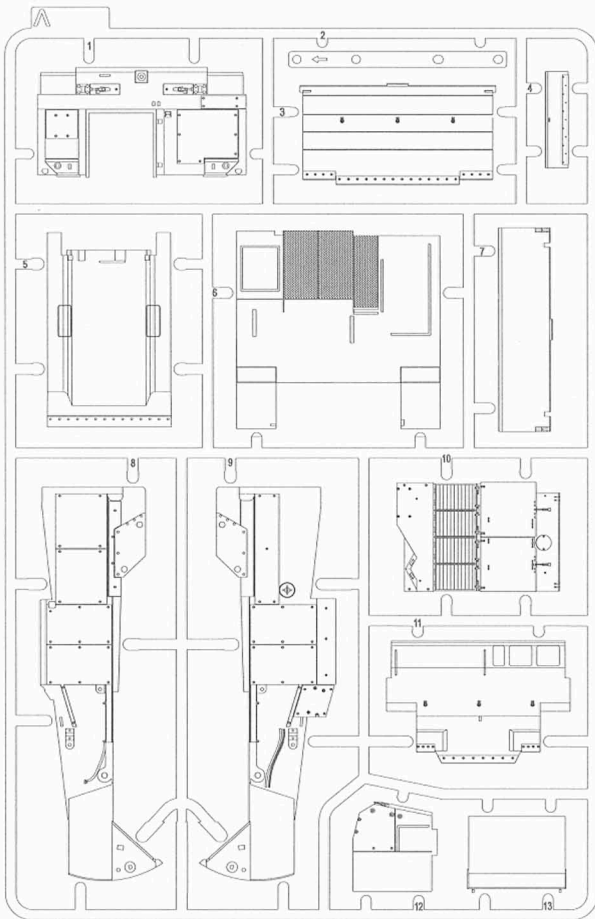


Secure using instant glue (not included).

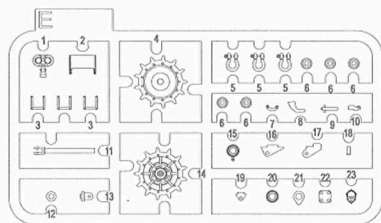


Finish using file.

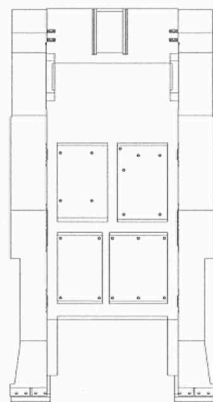
# PARTS



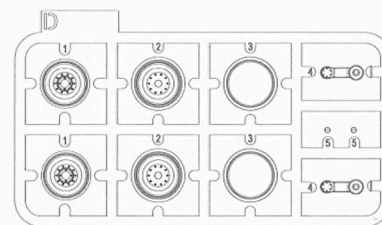
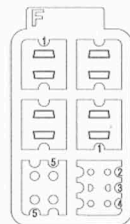
X8



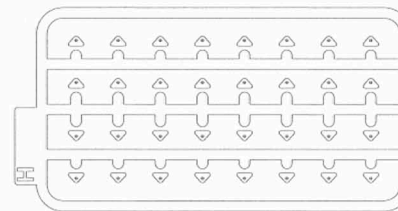
X2



Lower Hull



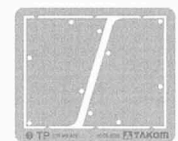
X4



X4

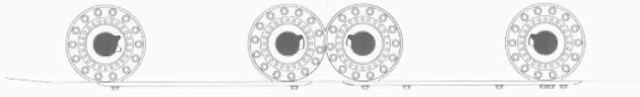
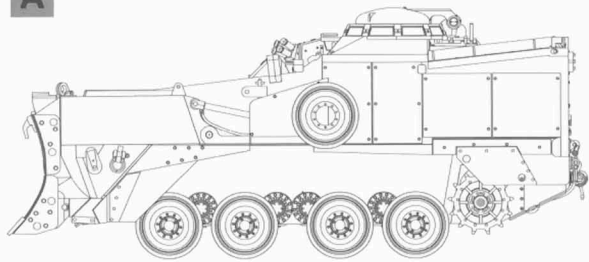


Decal

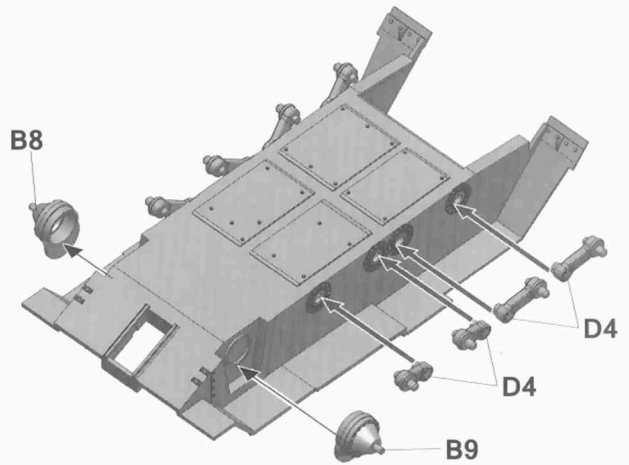


PE

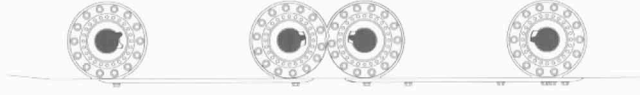
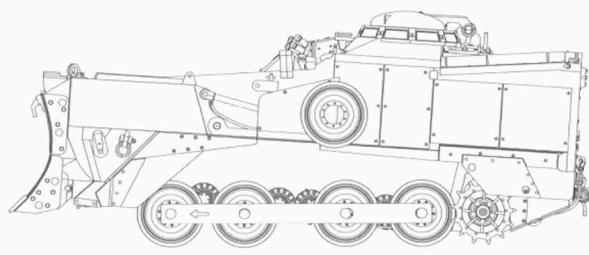
A



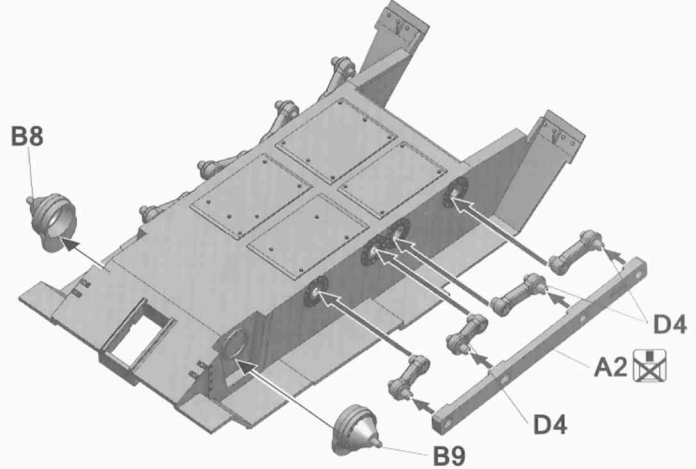
Lower Hull



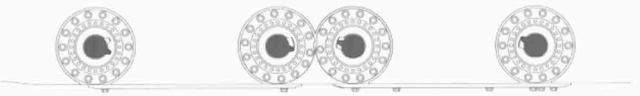
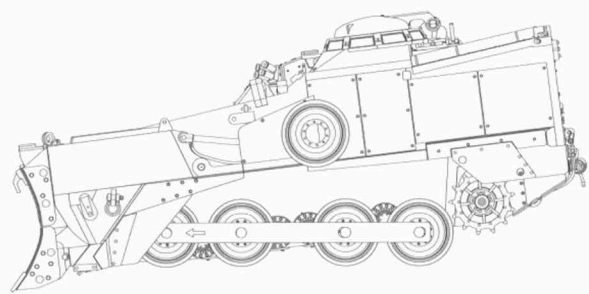
B



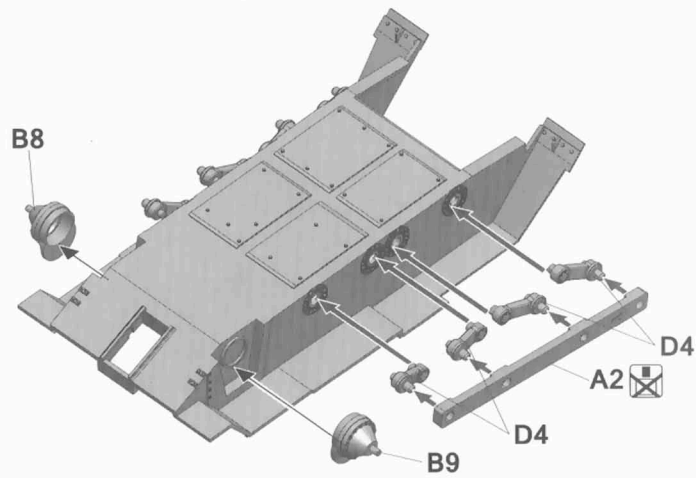
Lower Hull



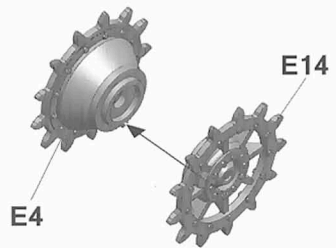
C



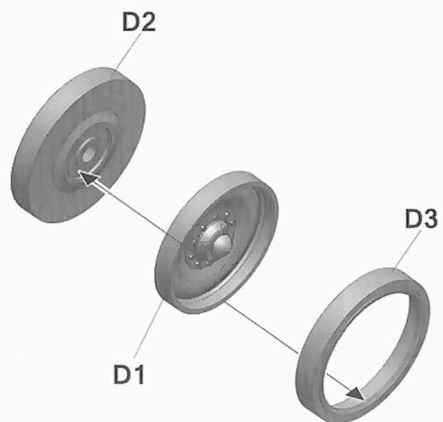
Lower Hull



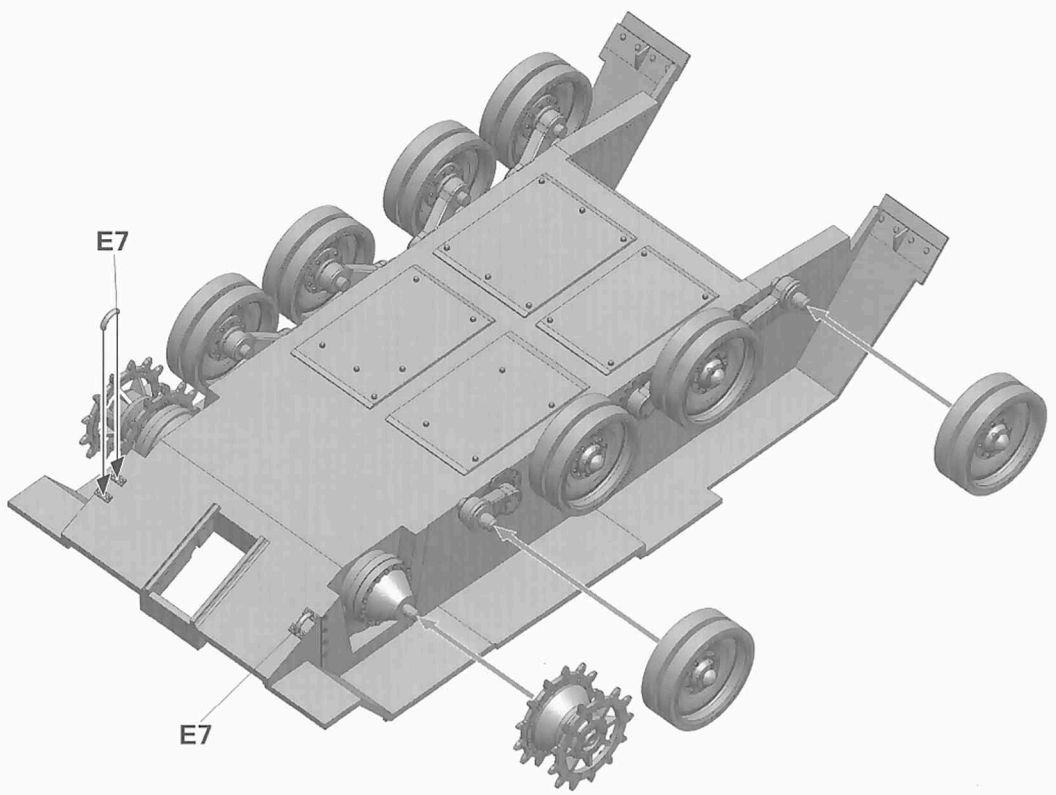
2



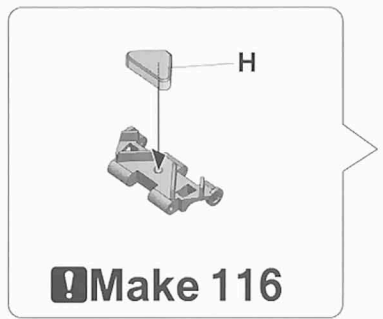
Make 2



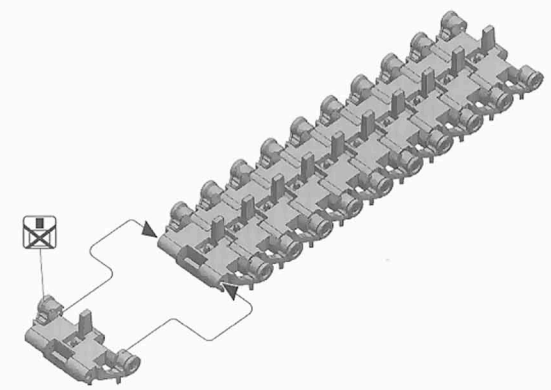
Make 8



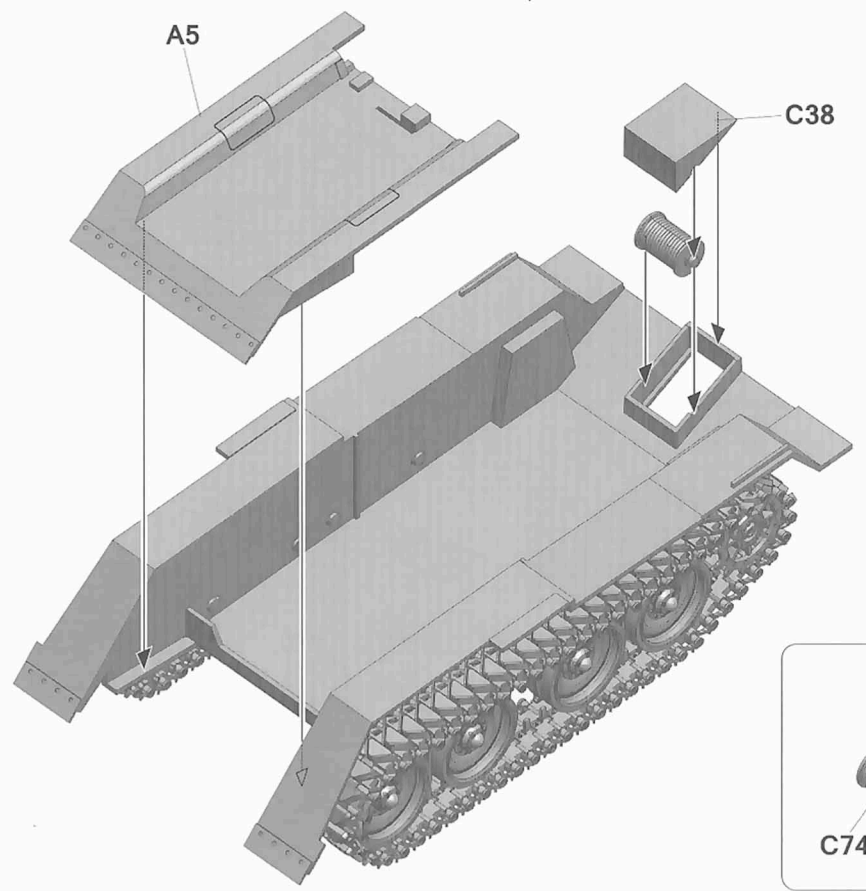
3



Make 116

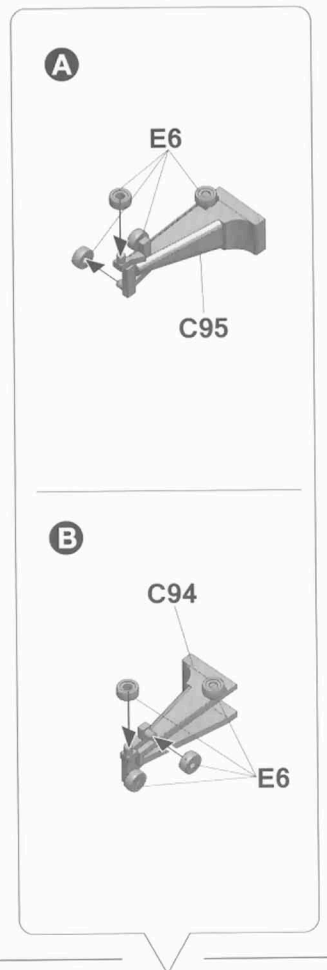
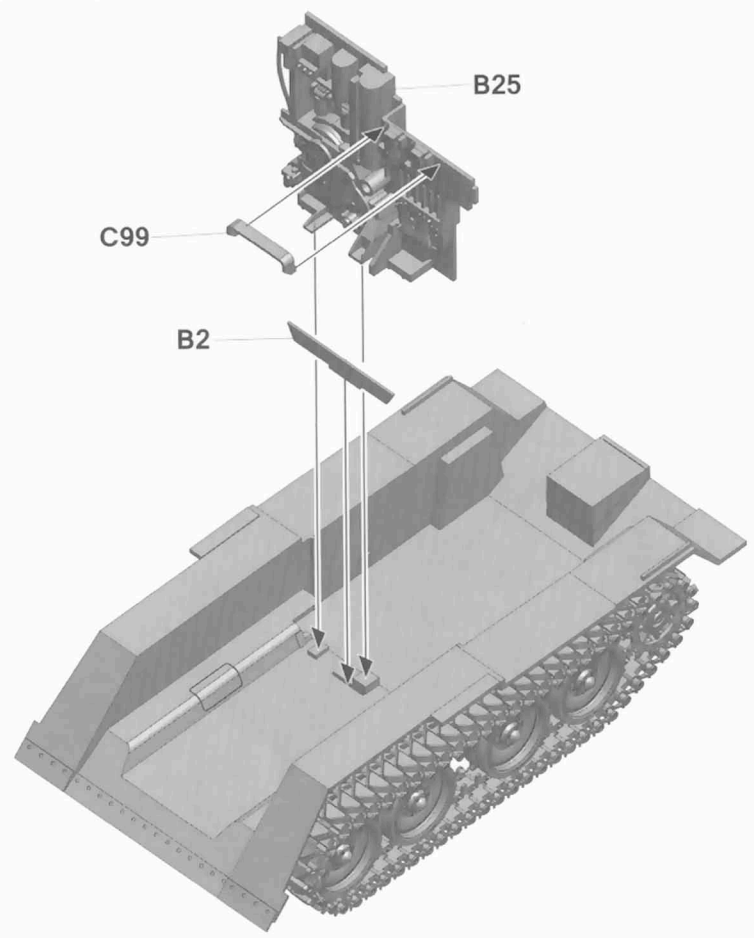


Make 58

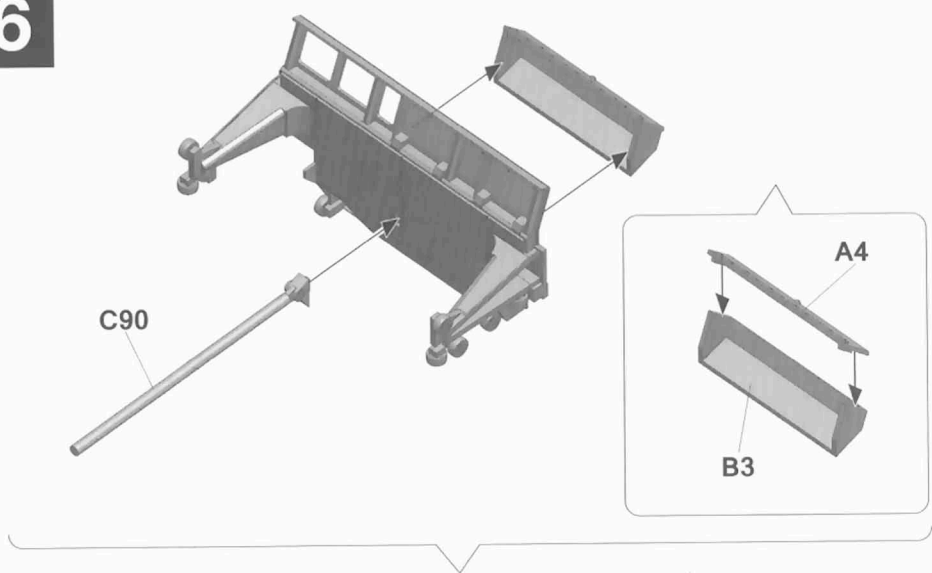


4

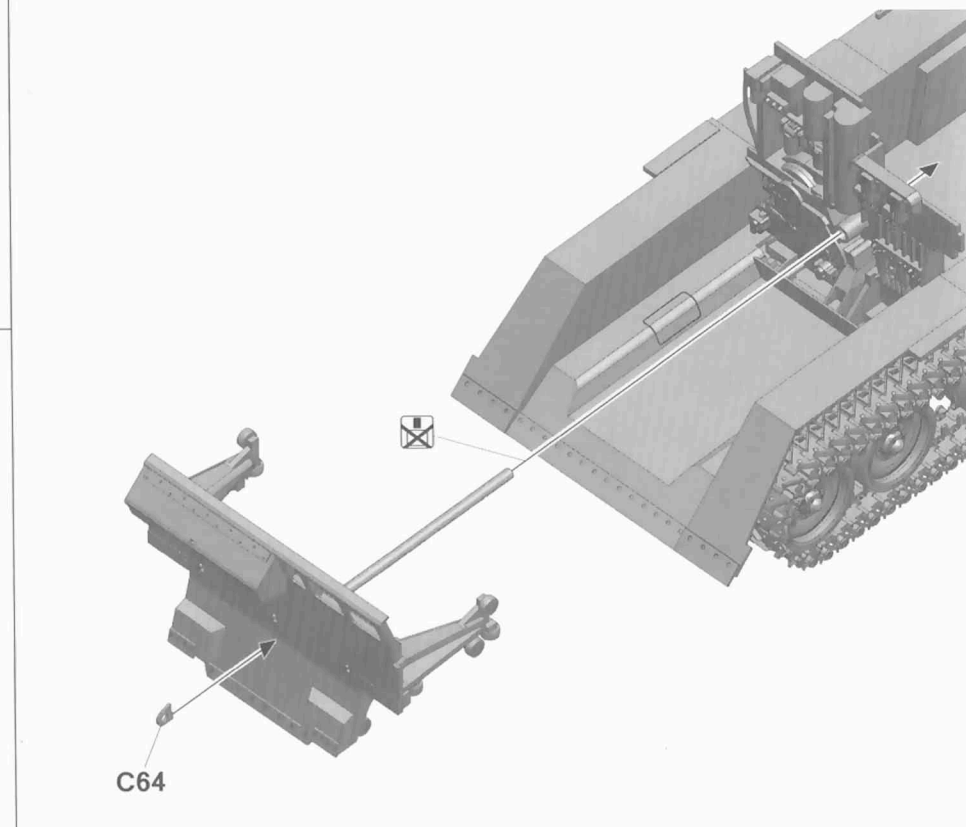
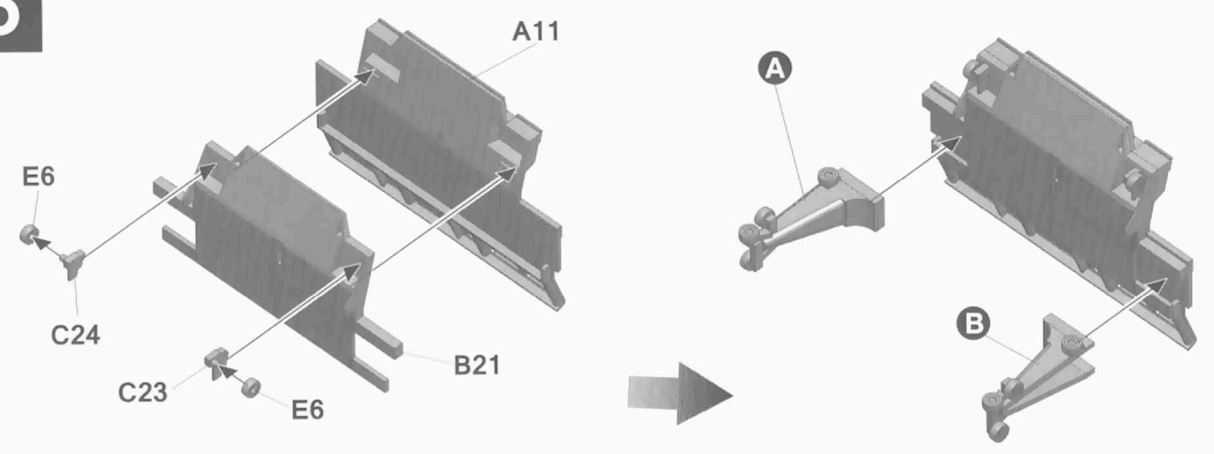
4



6



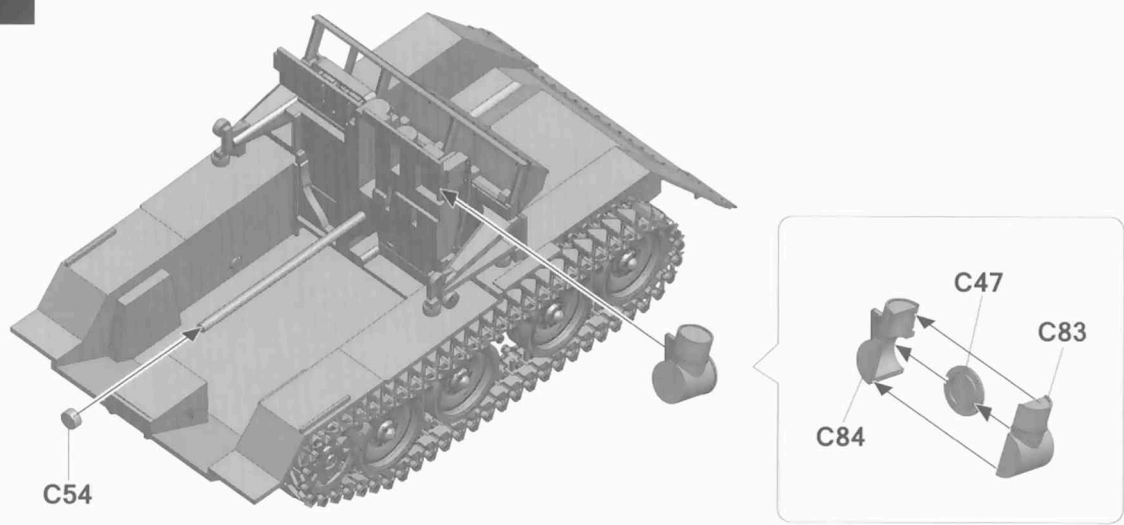
5



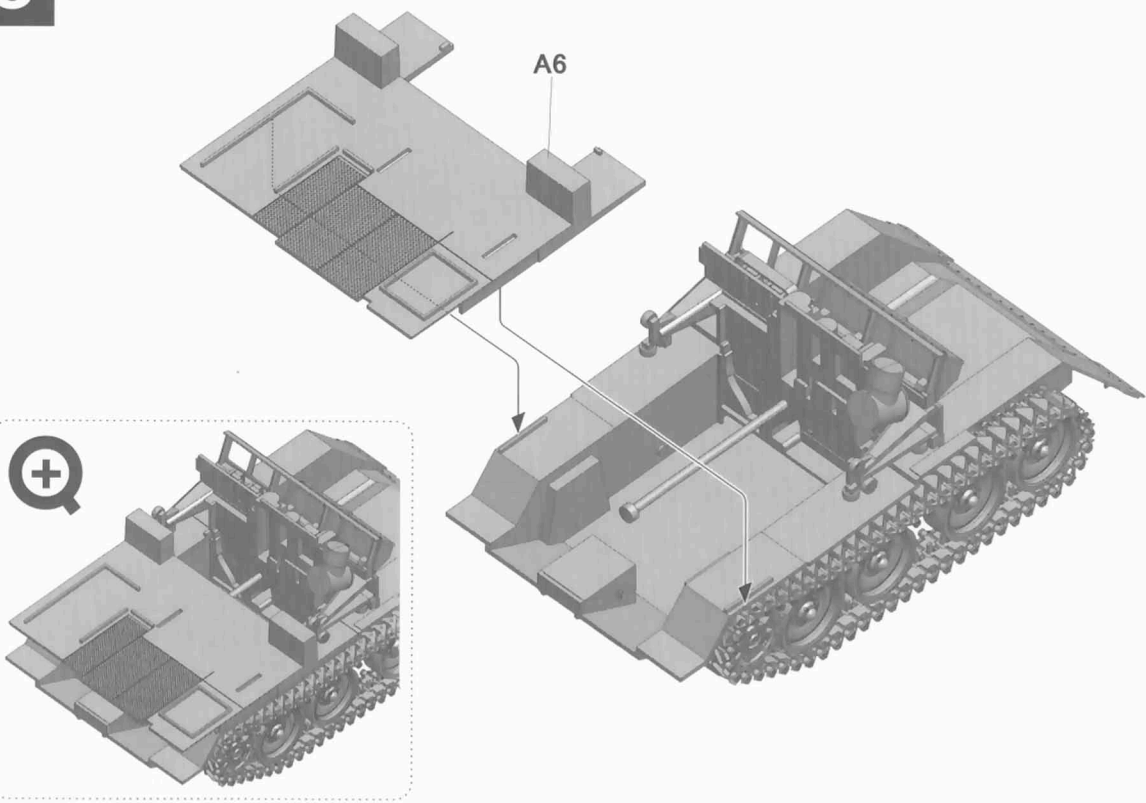
5



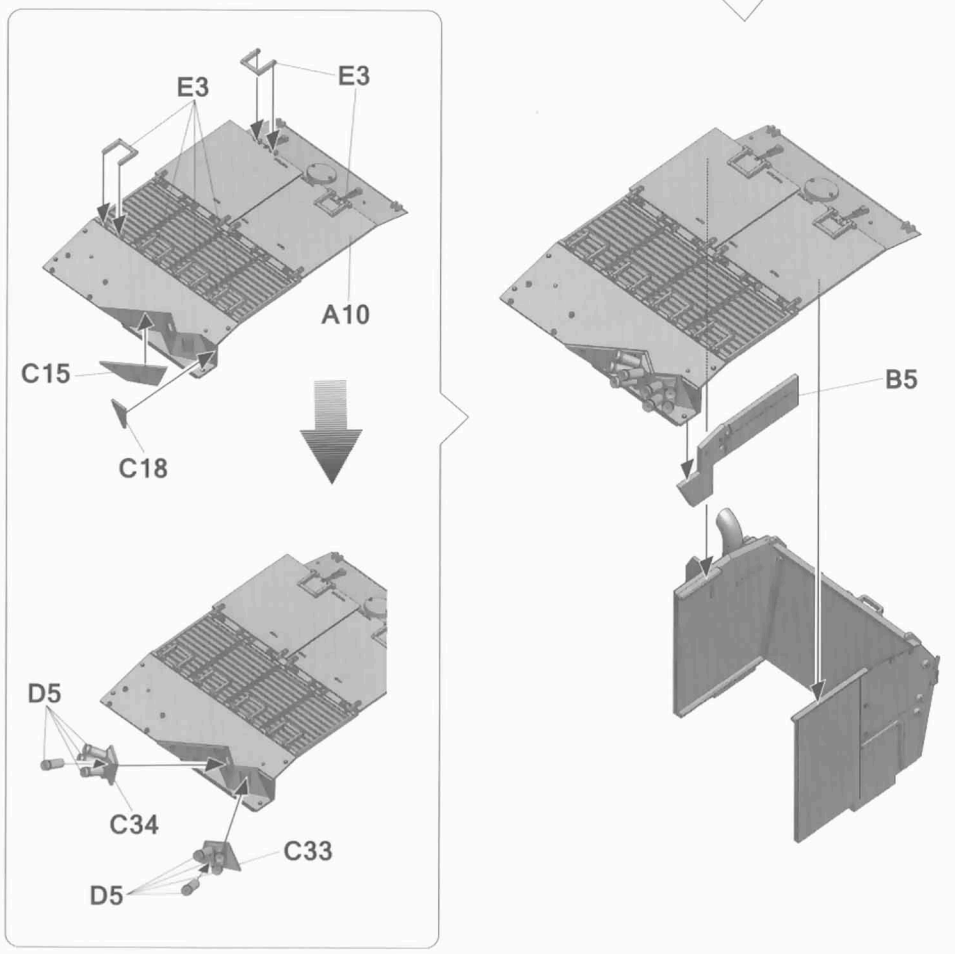
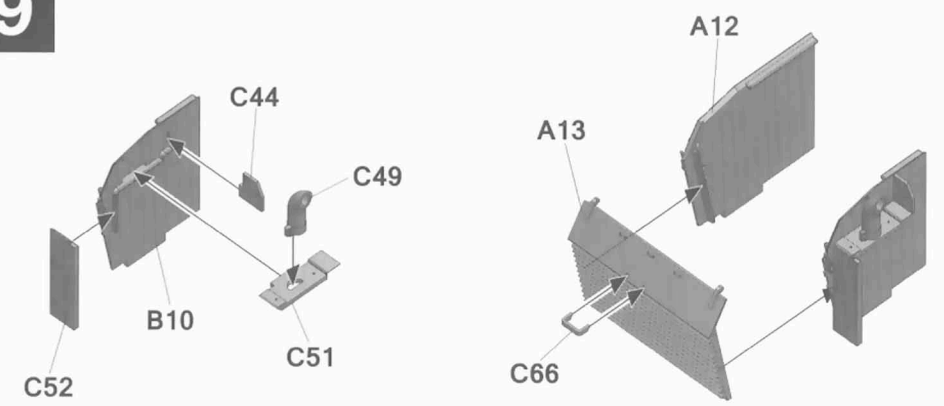
7



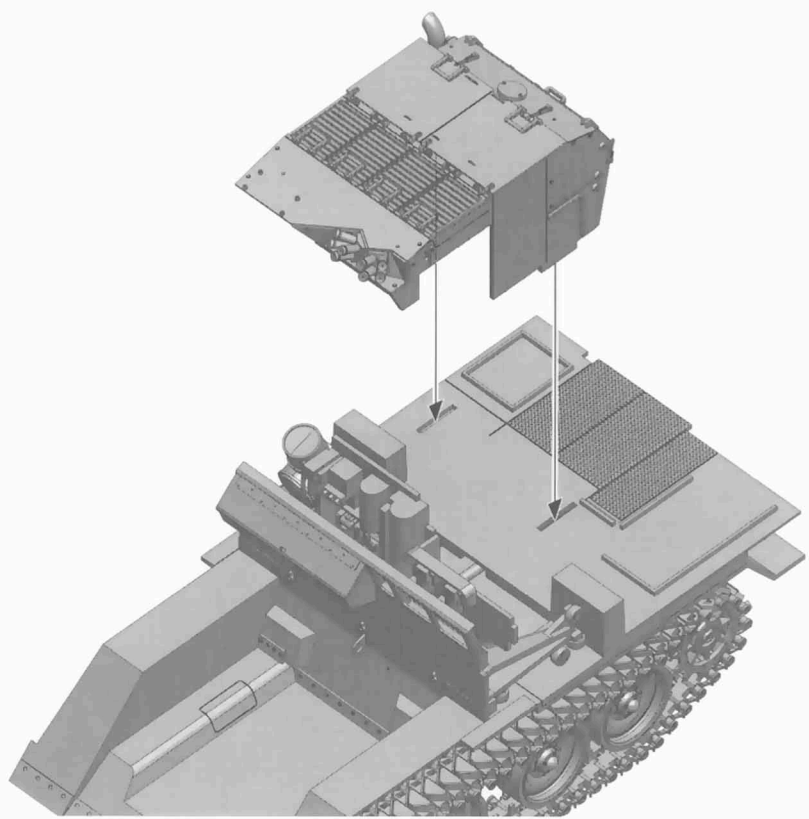
8



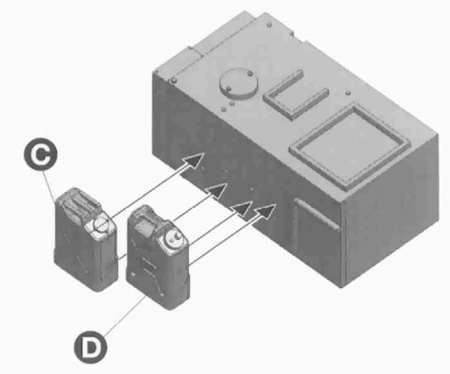
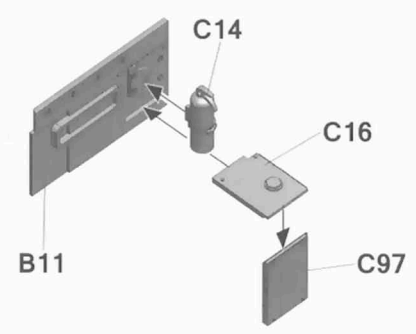
9



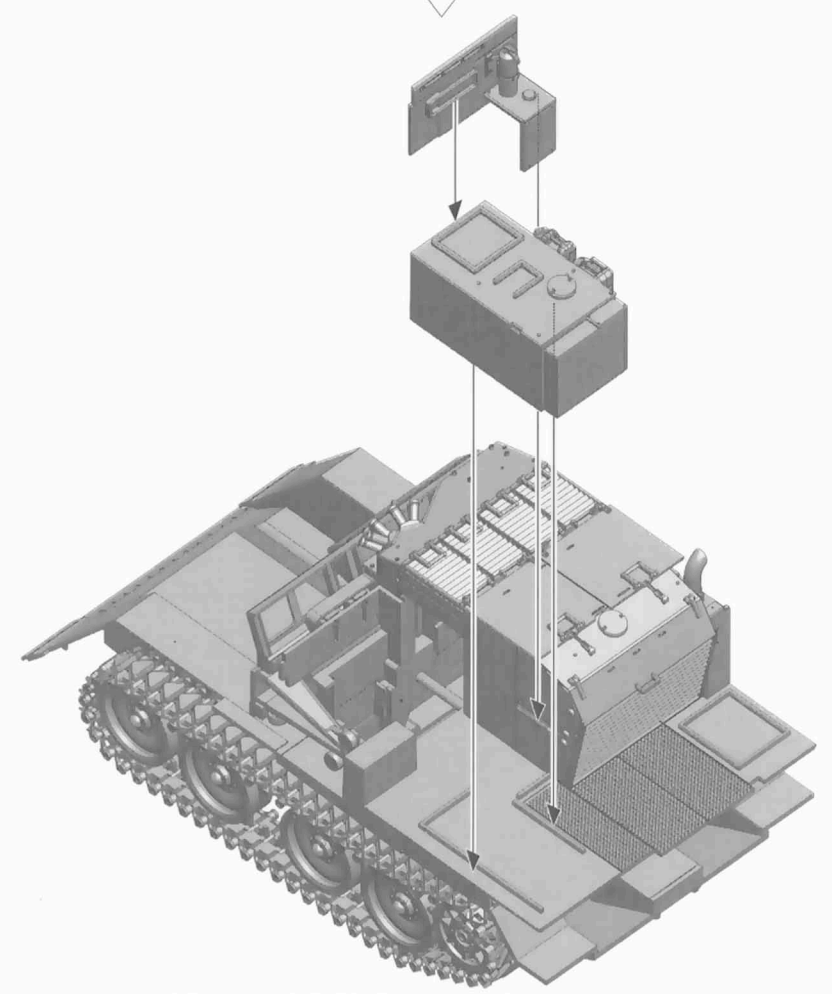
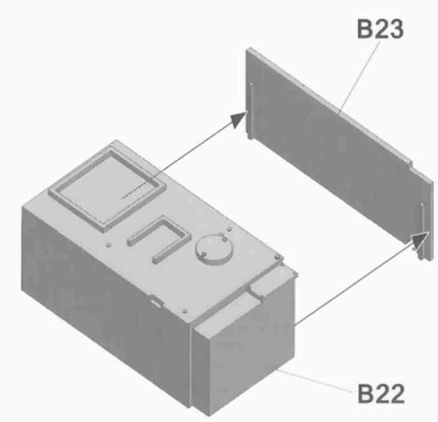
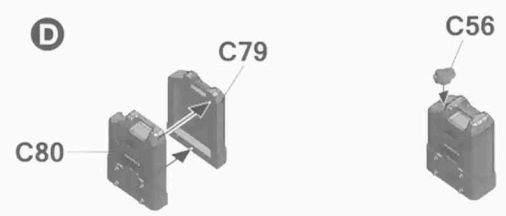
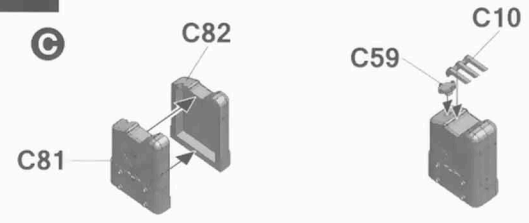
10



12

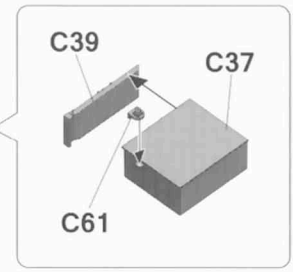
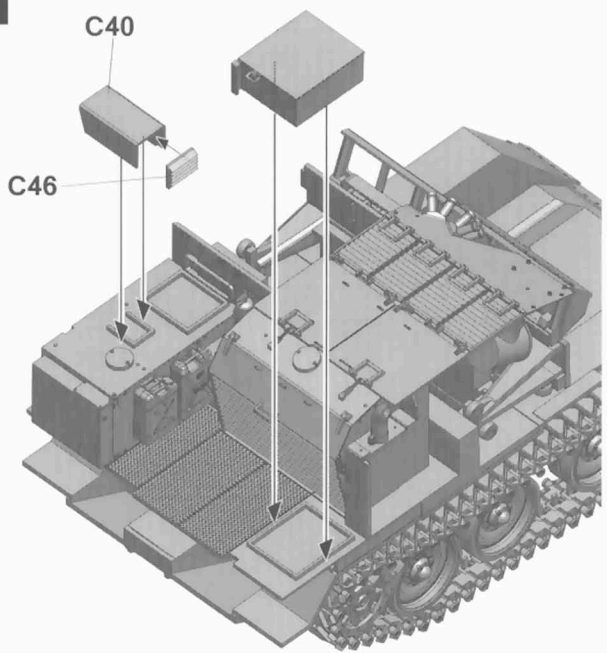


11

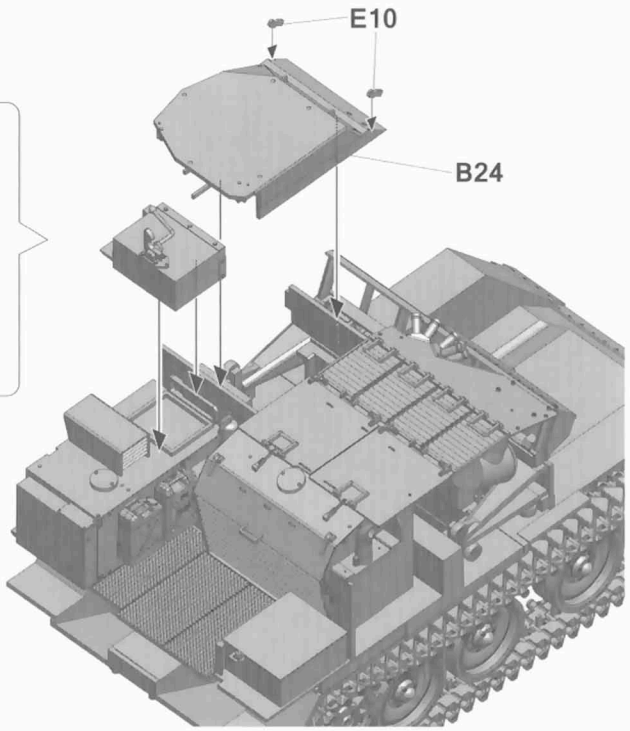
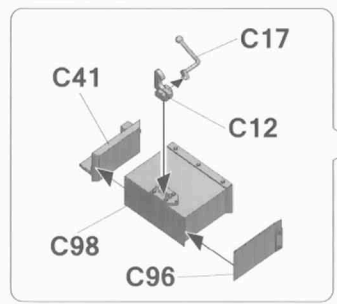




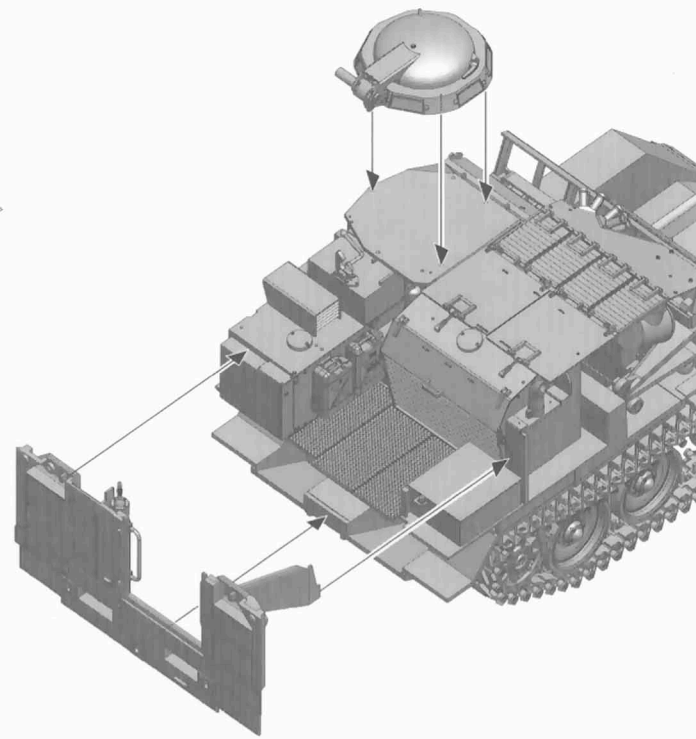
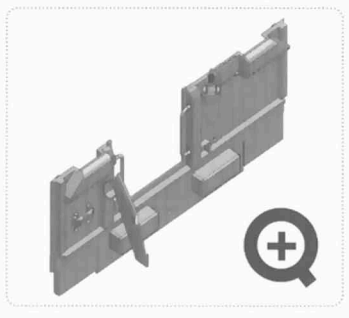
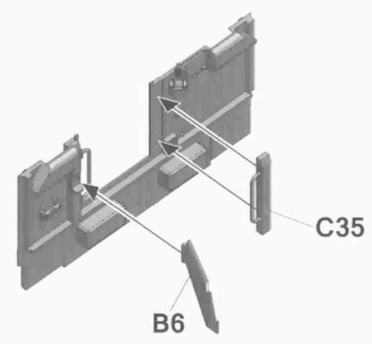
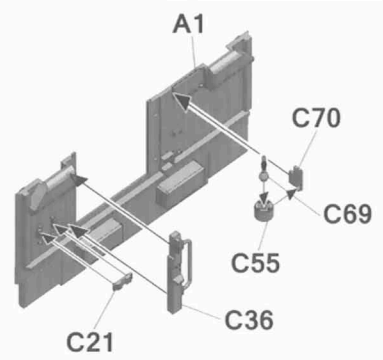
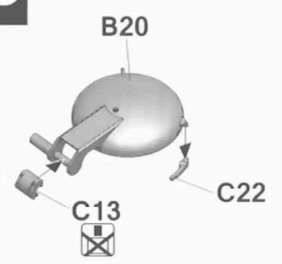
13



14



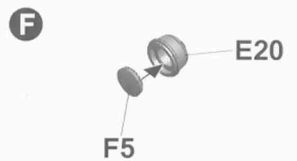
15



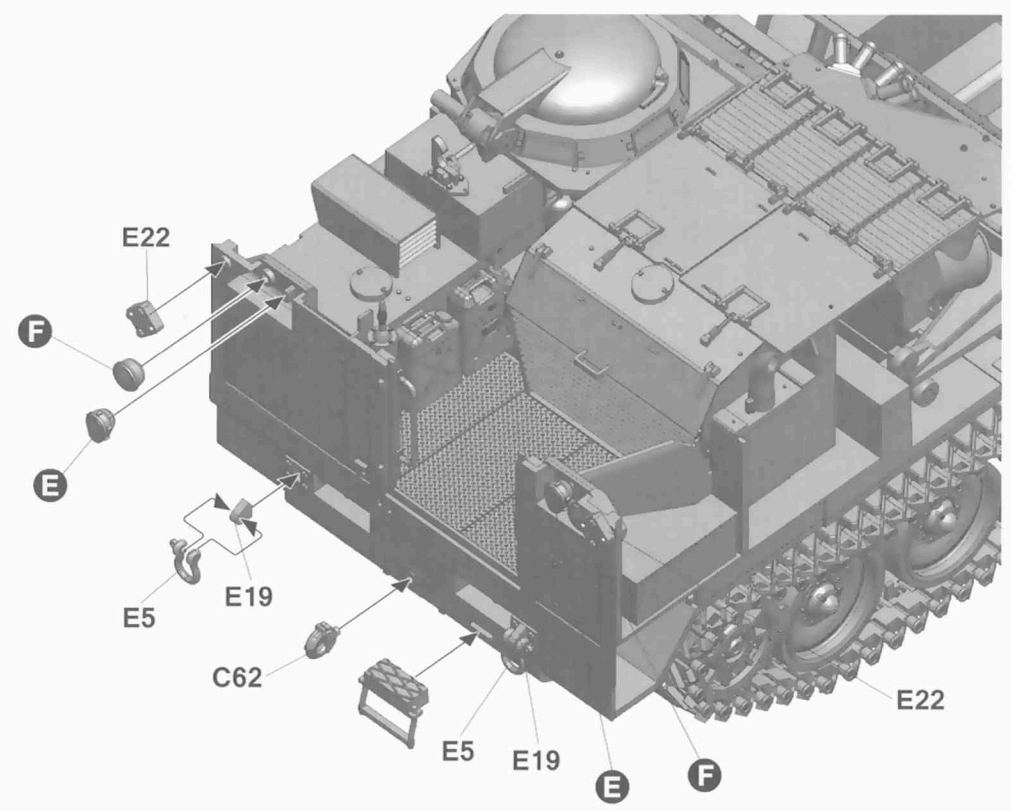
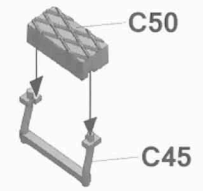
16



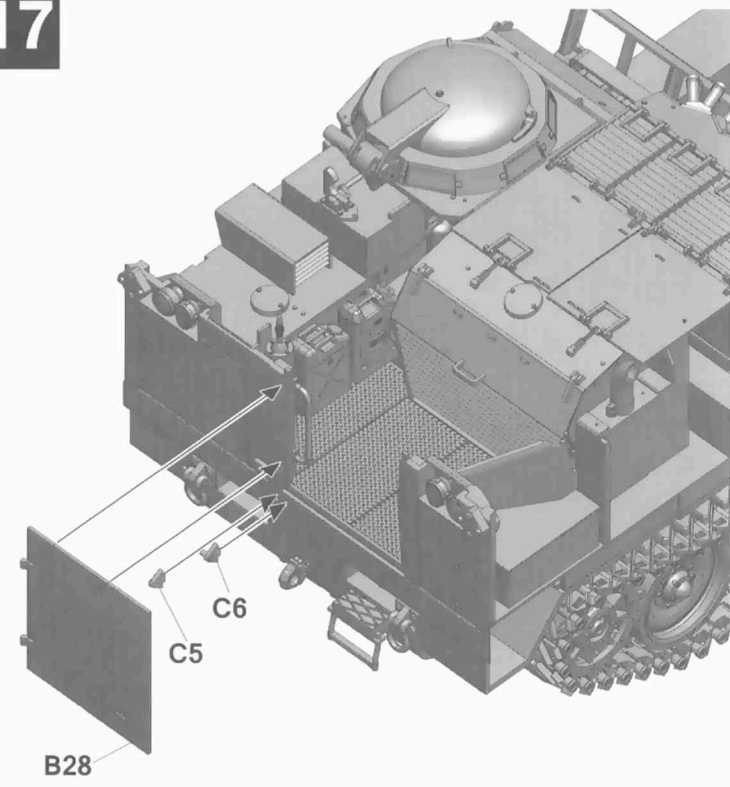
**Make 2**



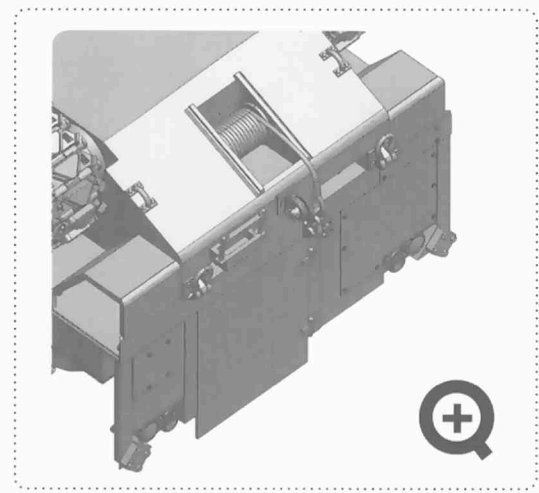
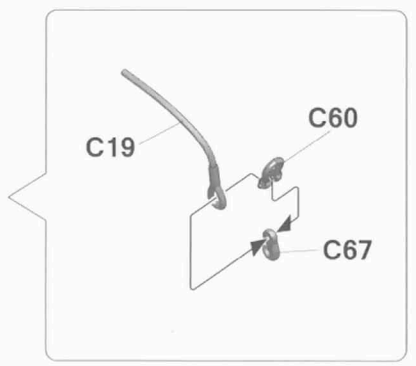
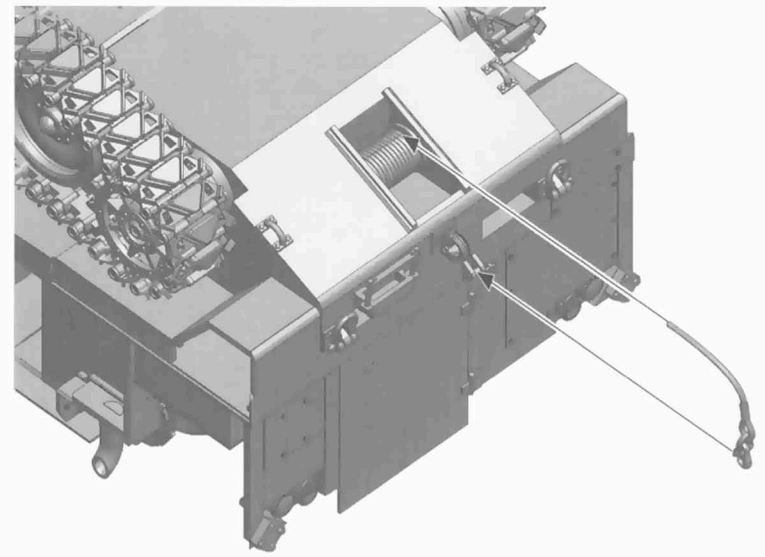
**Make 2**

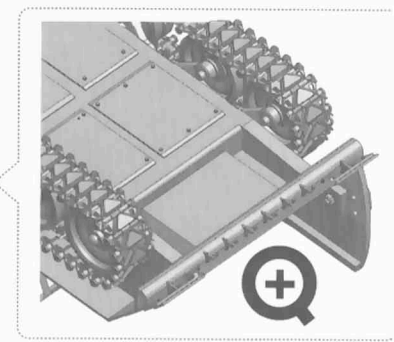
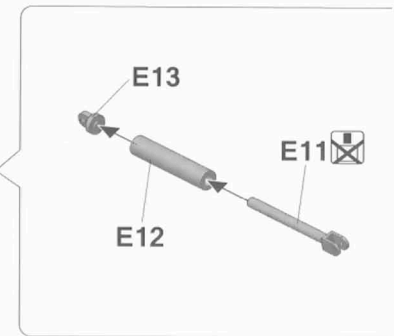
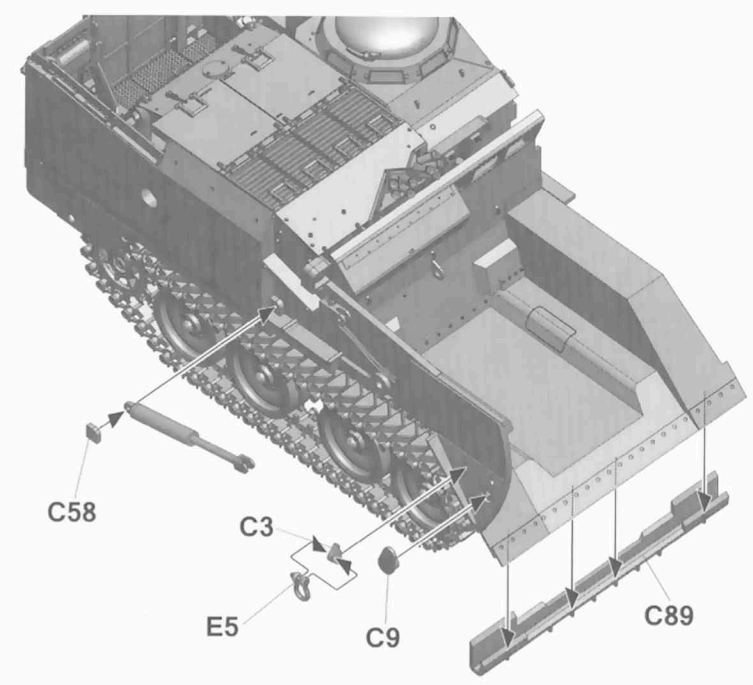
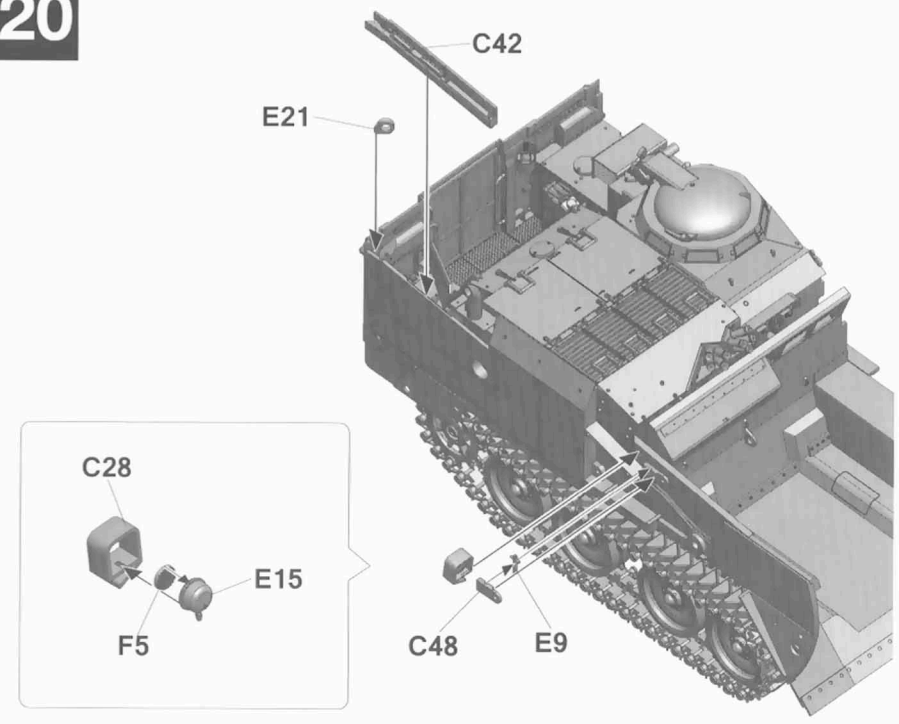
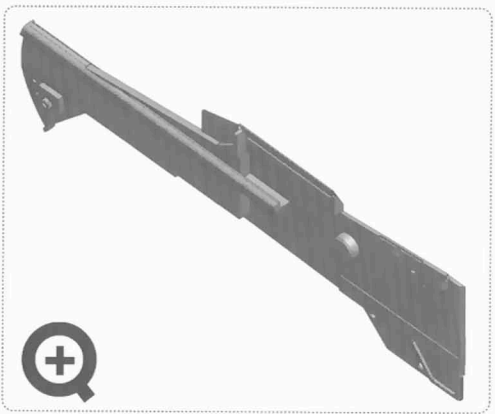
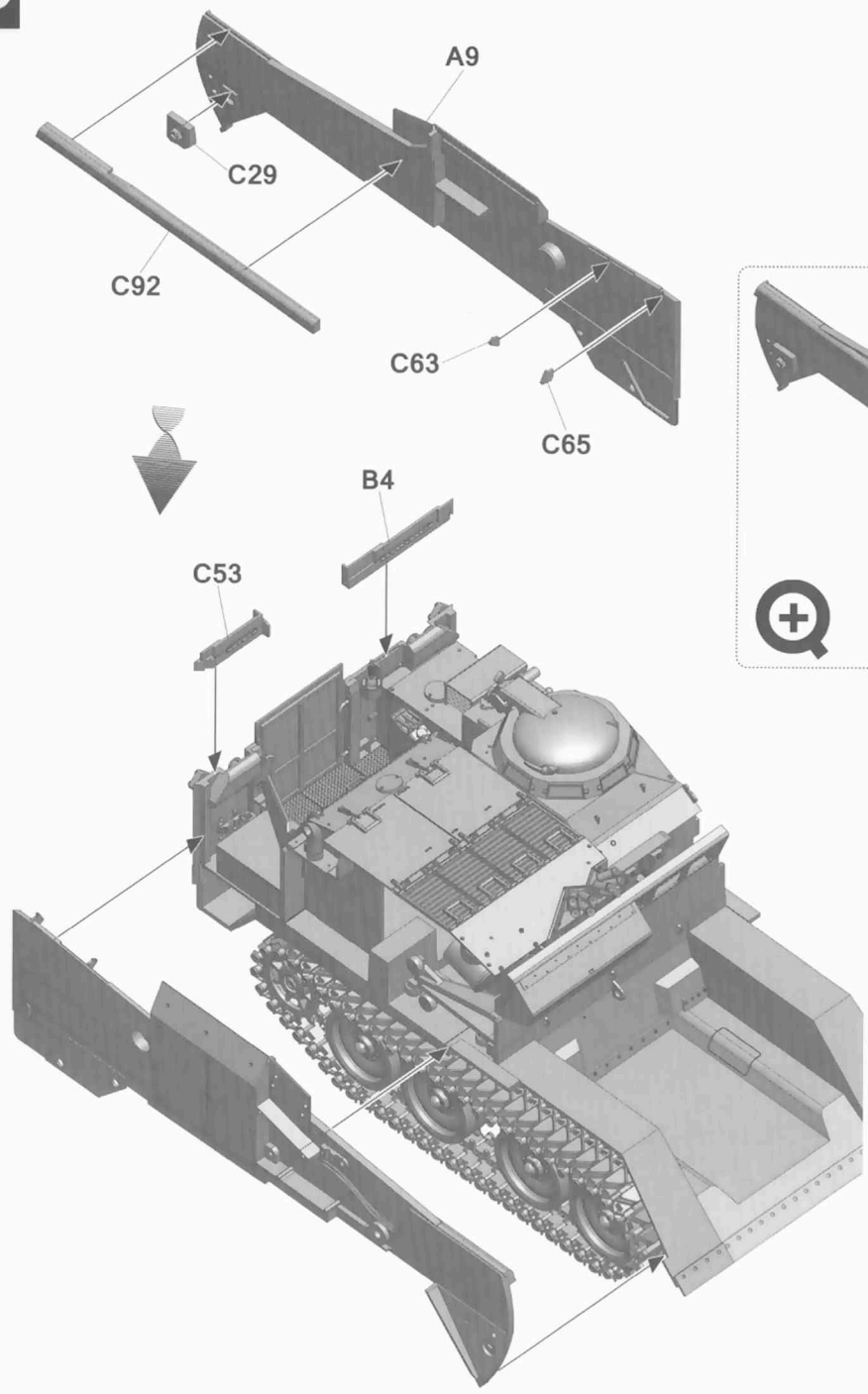


17

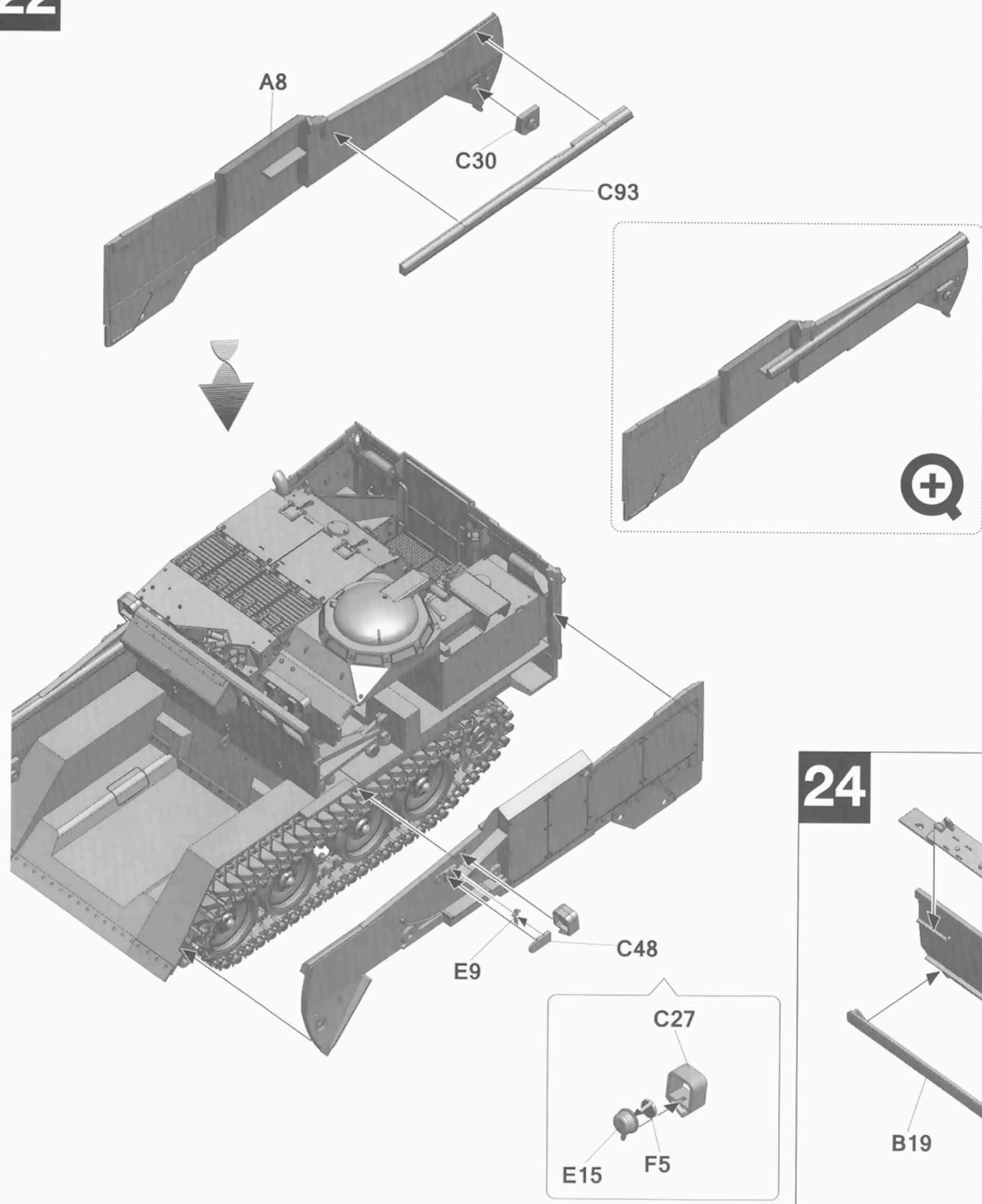


18

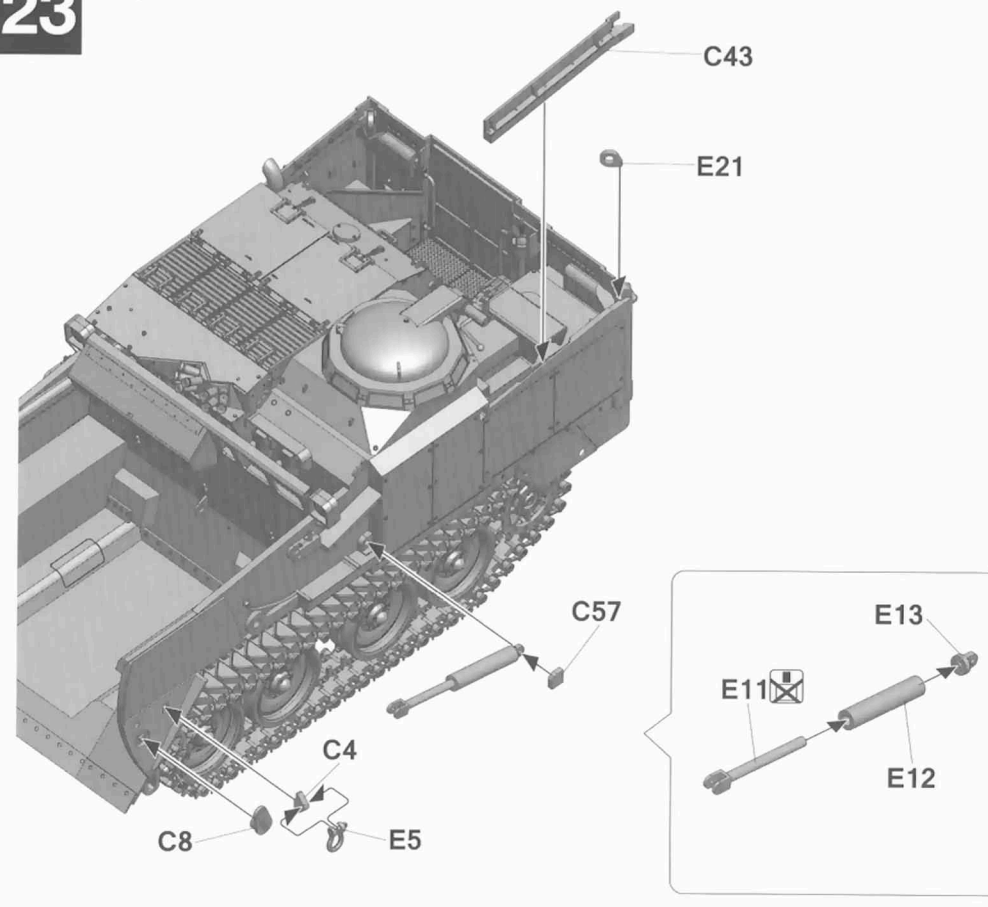




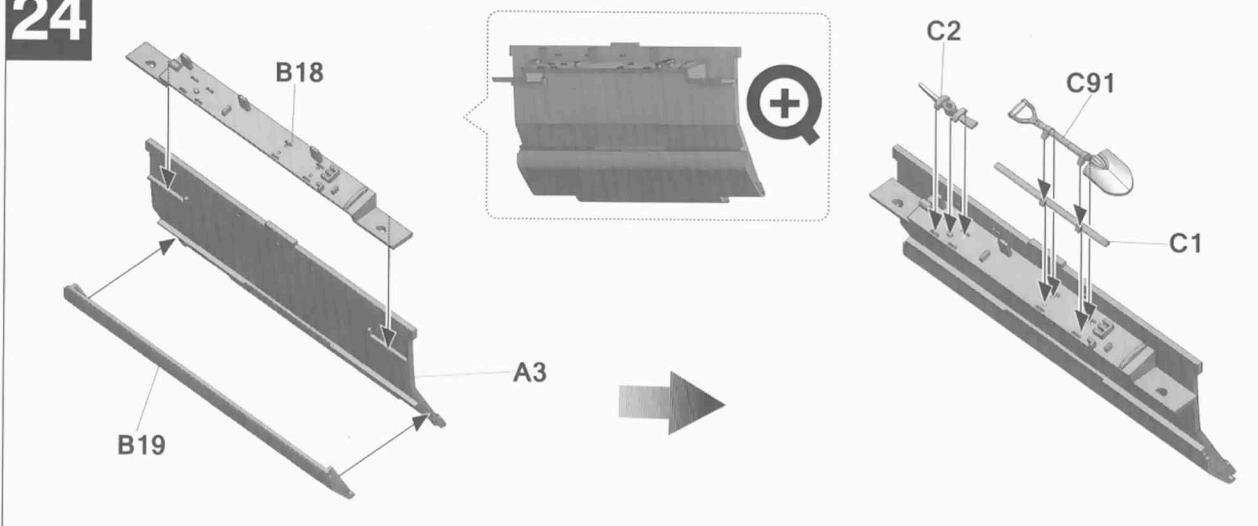
22



23

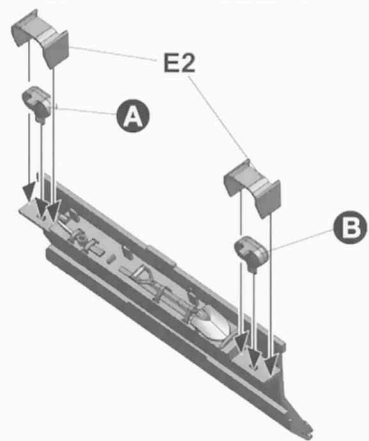
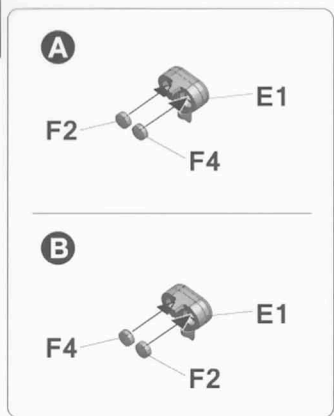


24

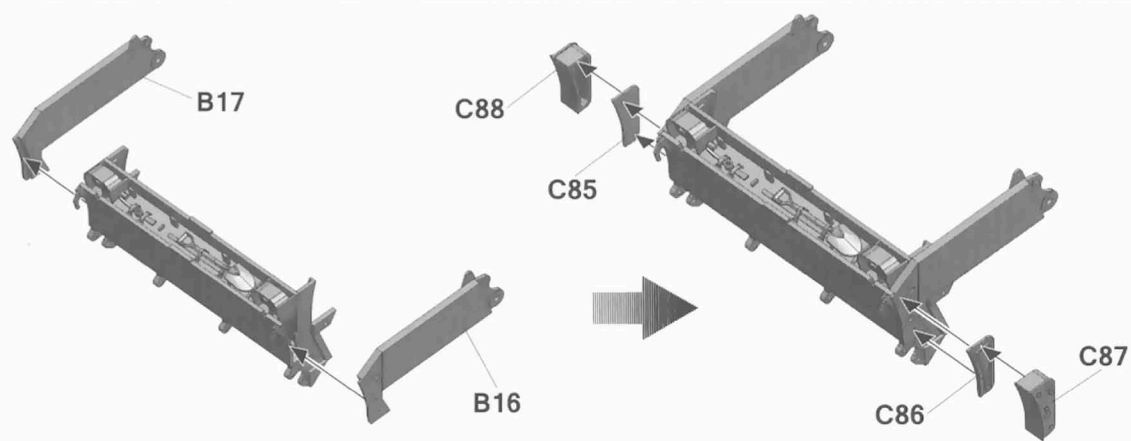




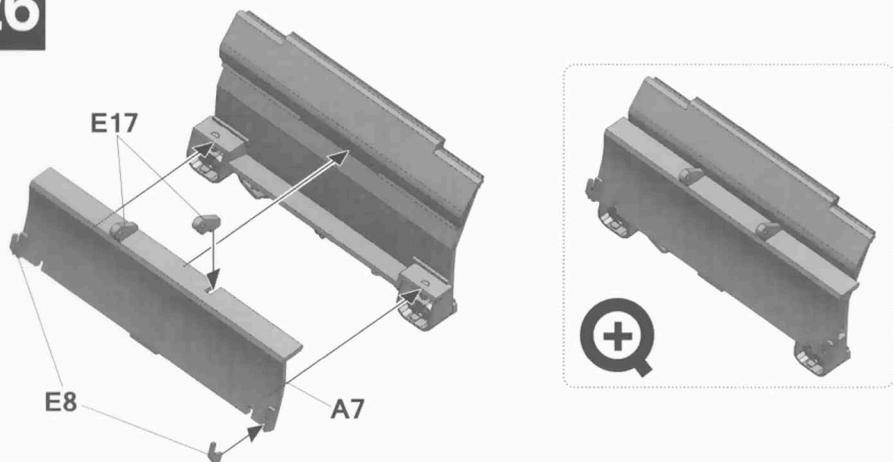
25



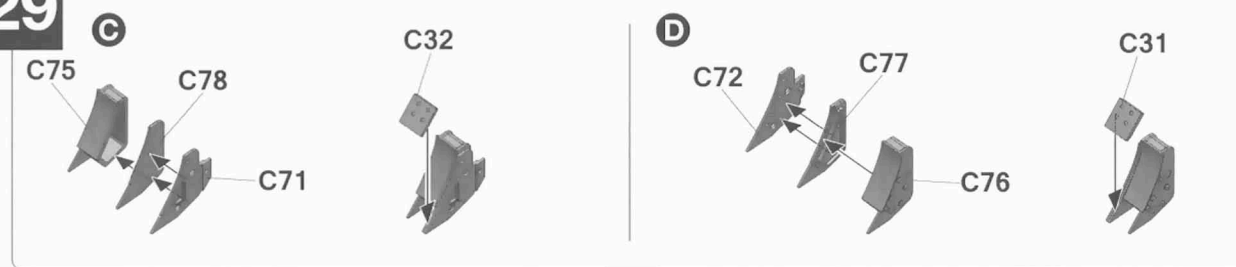
28



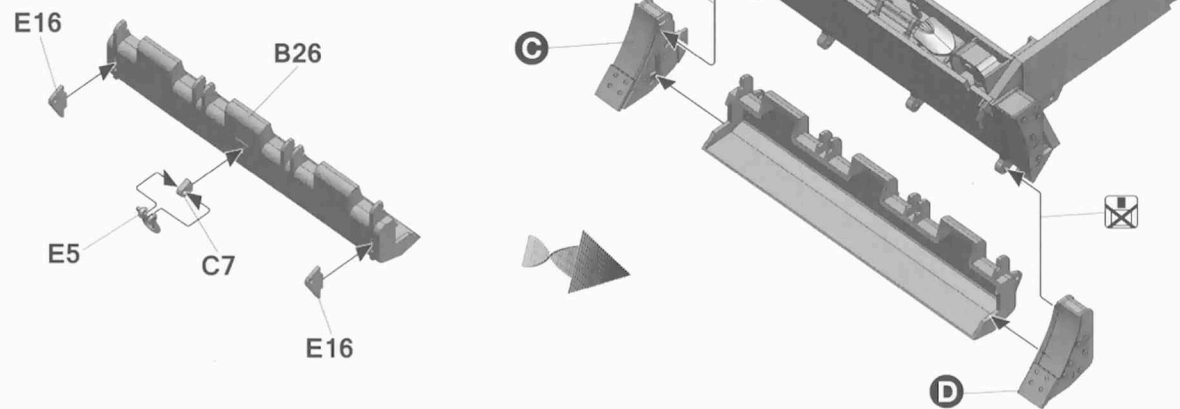
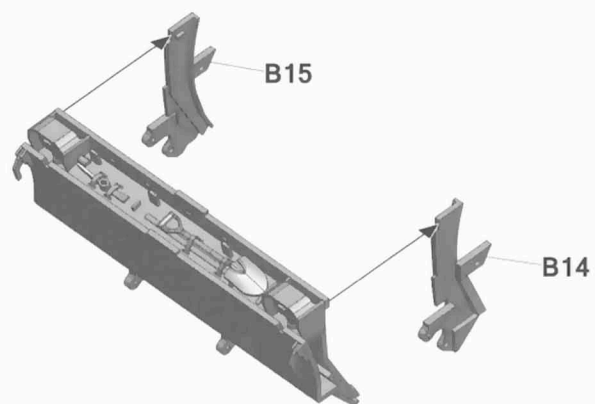
26



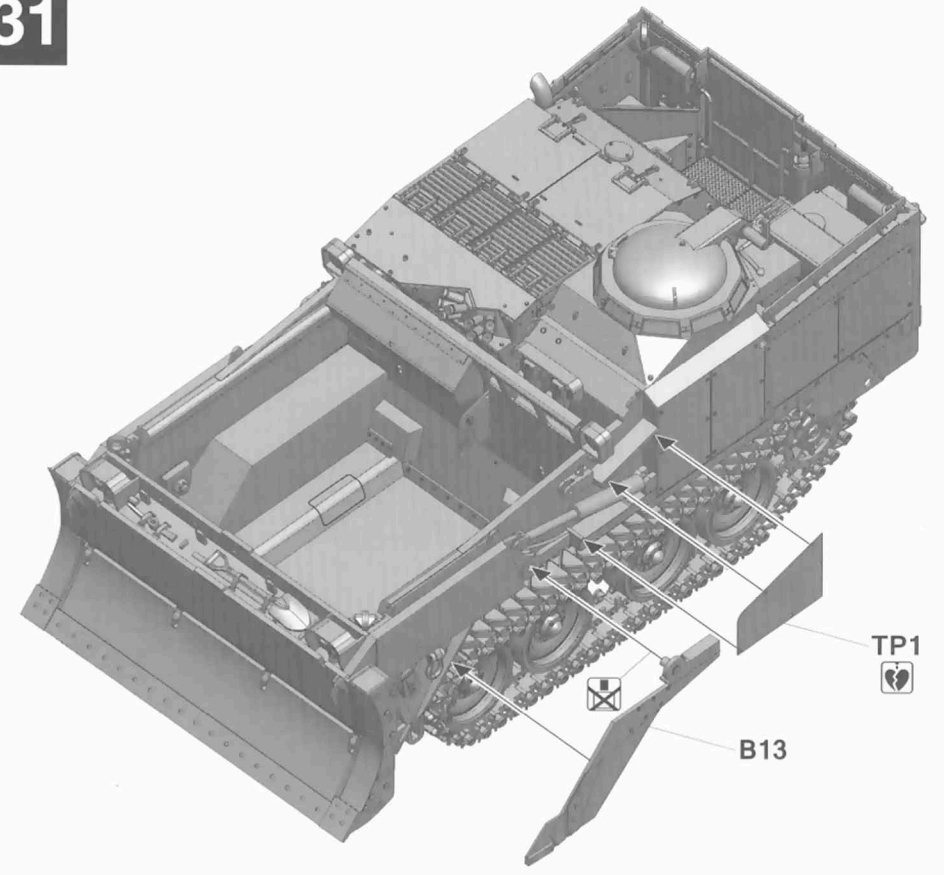
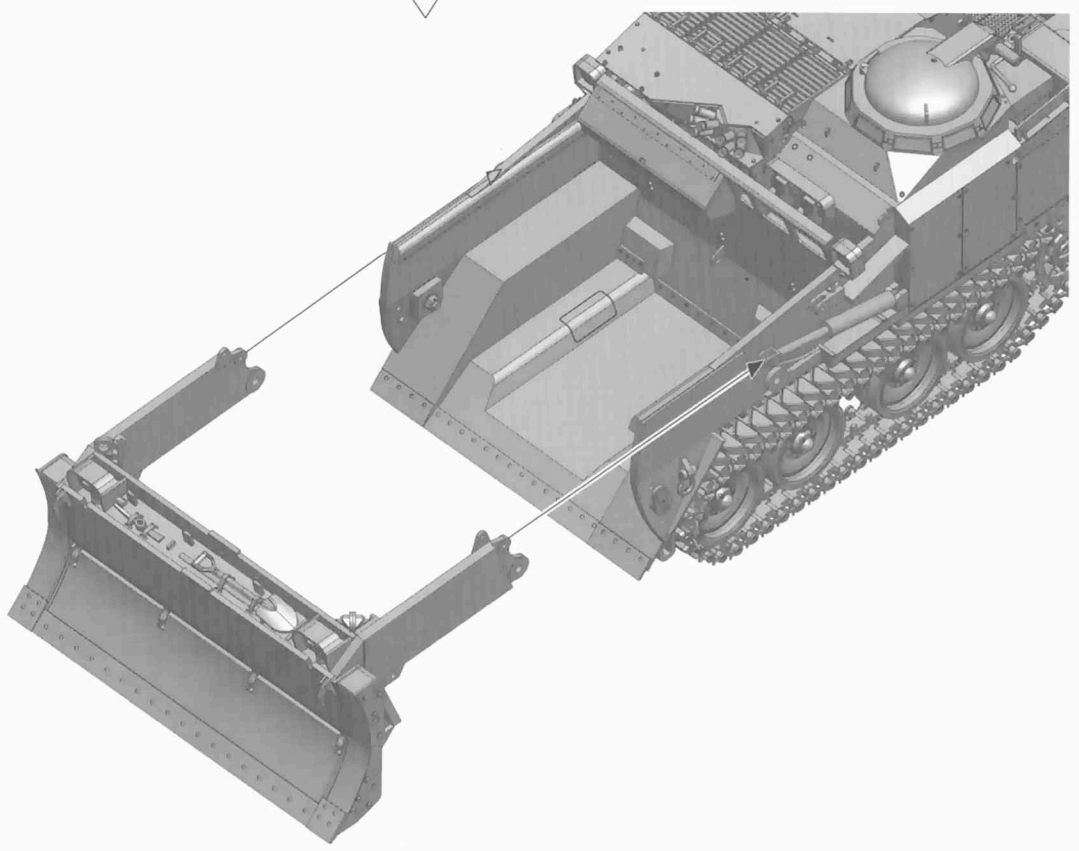
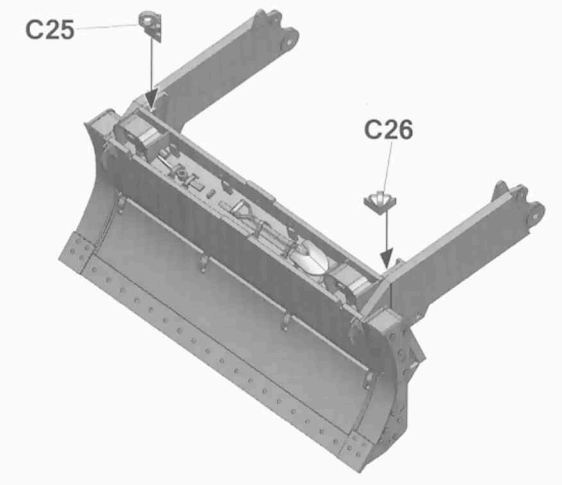
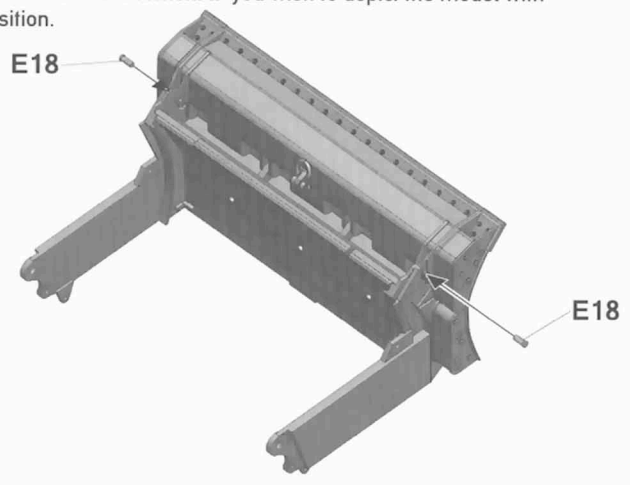
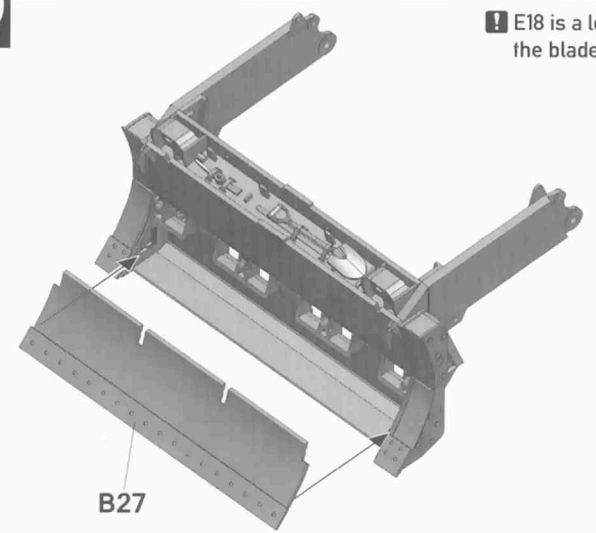
29



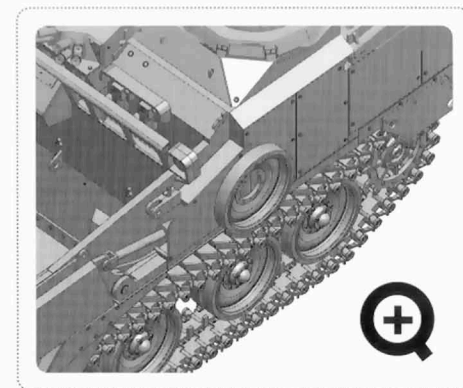
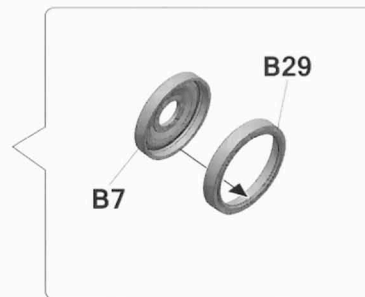
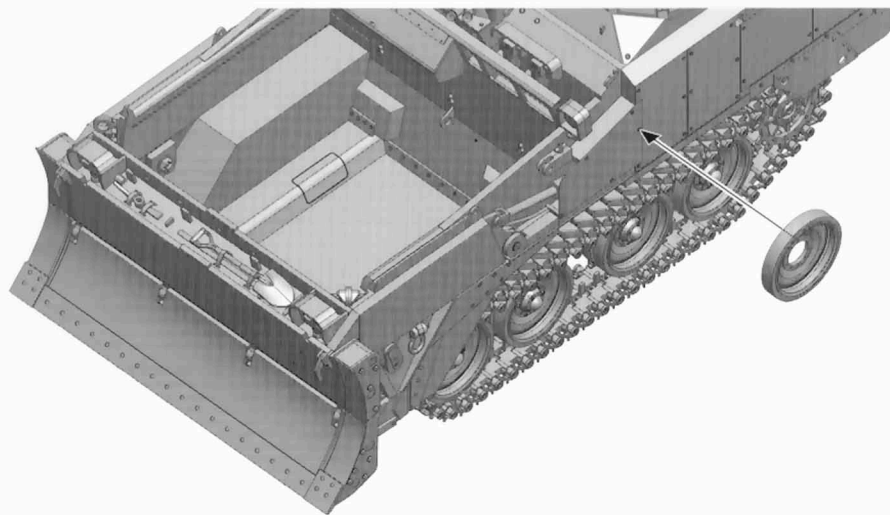
27



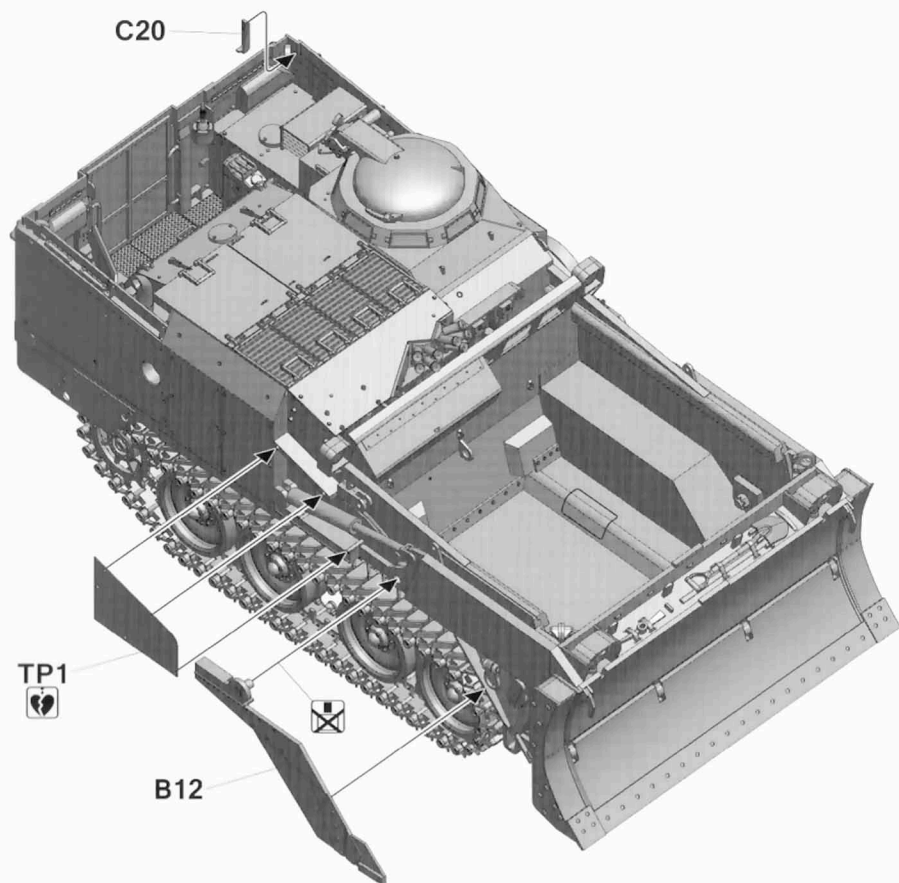
E18 is a locking pin for the blade. Do not cement if you wish to depict the model with the blade in the raised position.



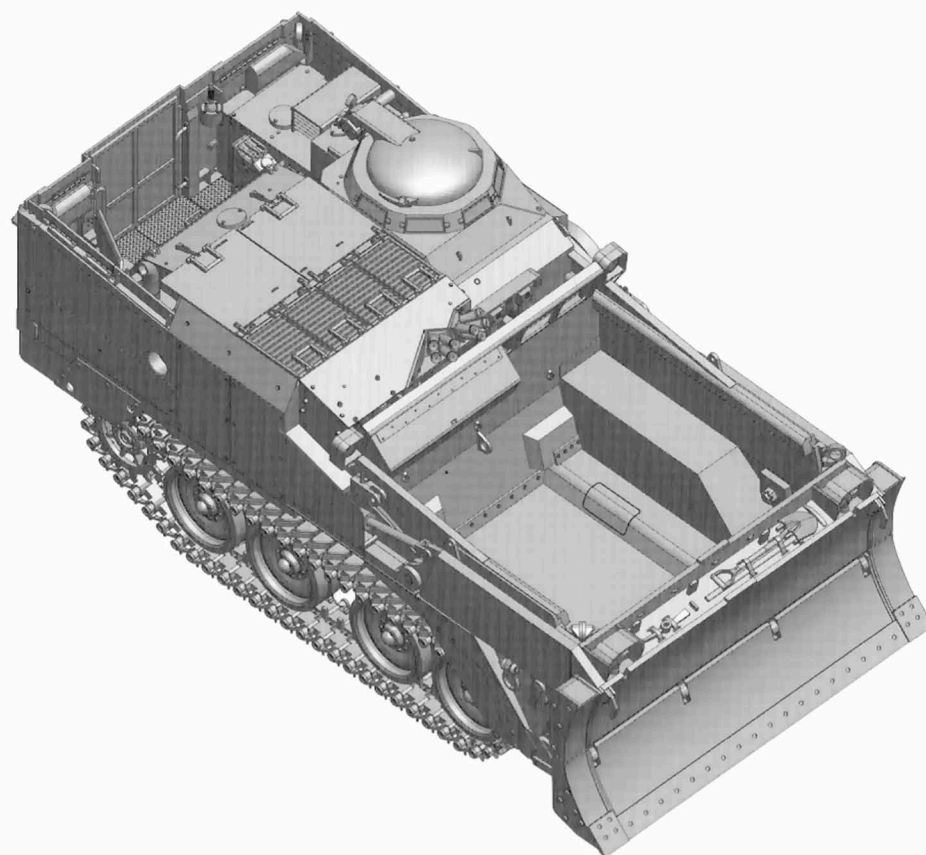
32



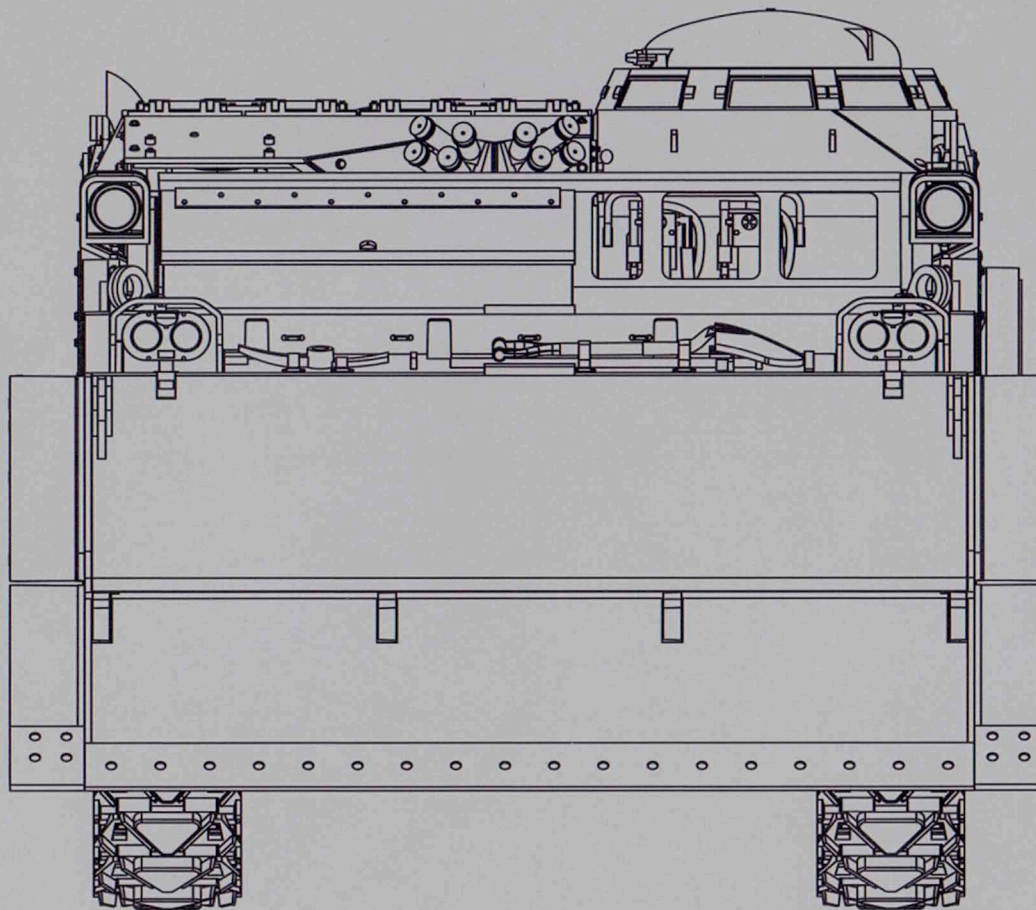
33



34



2015/2020



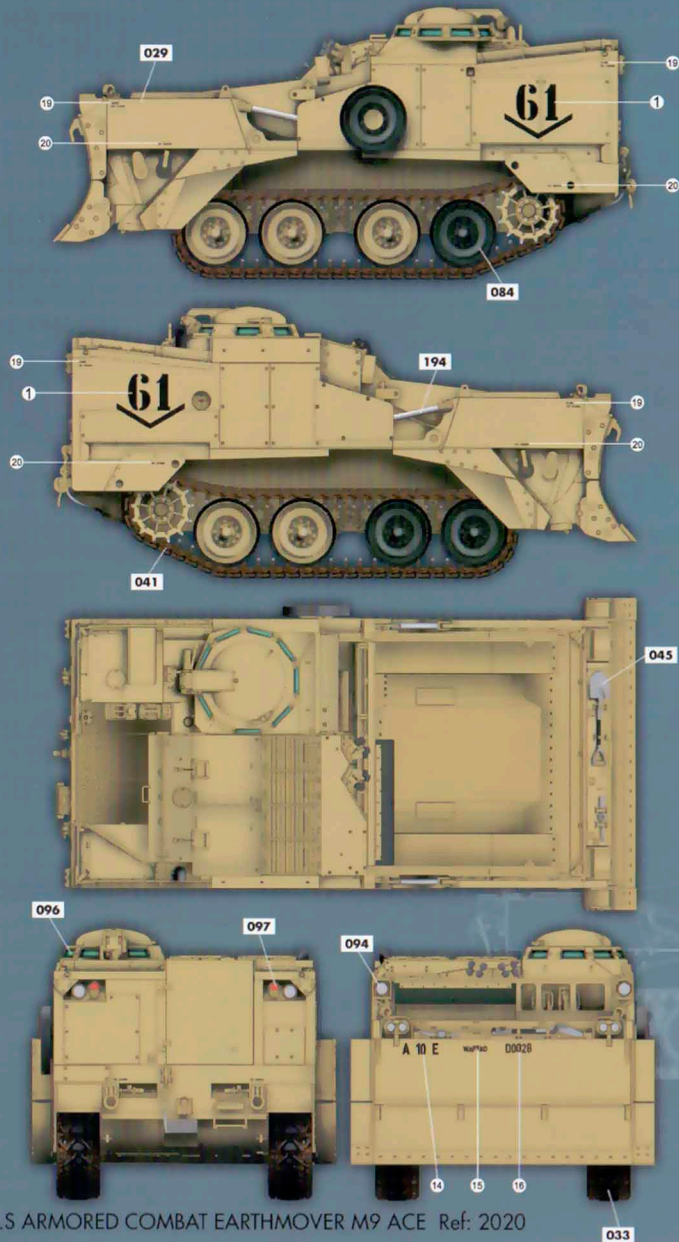
You can find TAKOM on Facebook.com



### Painting and Marking Guide

- A.MIG 033** Rubber&Tires
- A.MIG 041** Dark Rust
- A.MIG 045** Gun Metal
- A.MIG 094** Crystal Glass
- A.MIG 096** Crystal Periscope Green
- A.MIG 097** Crystal Orange
- A.MIG 194** Aluminium
- A.MIG 039** Desert Sand
- A.MIG 084** NATO Green

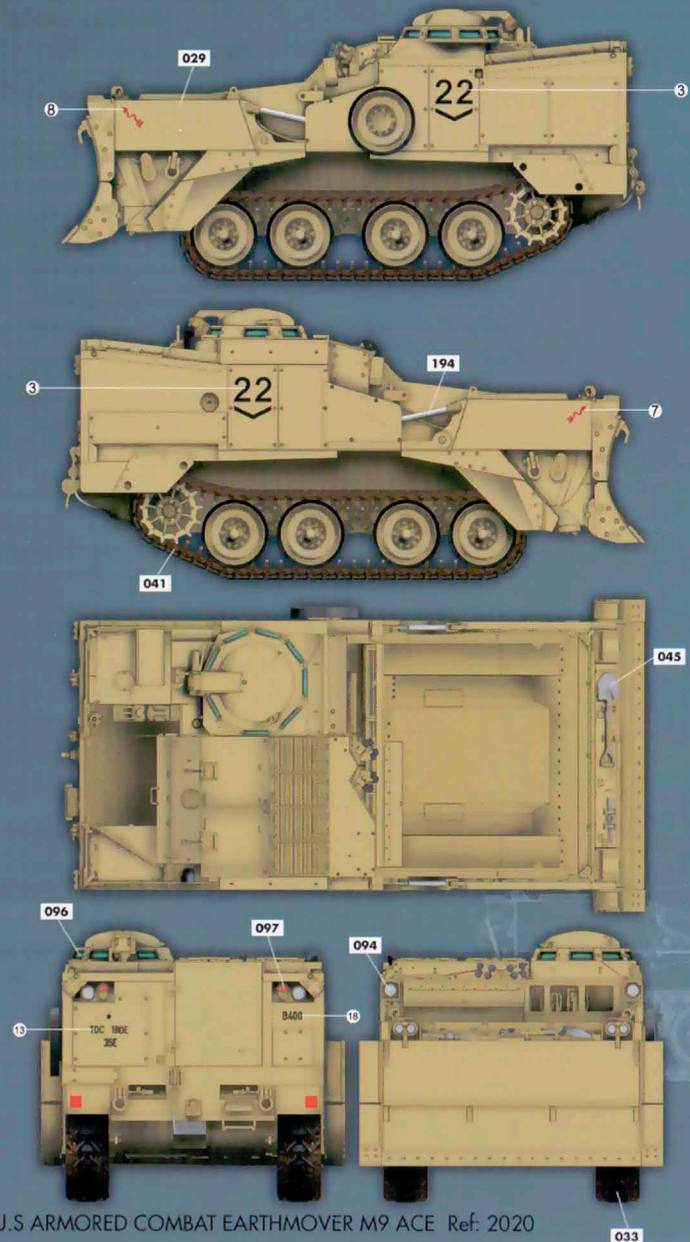
U.S ARMY M9 ACE.



### Painting and Marking Guide

- A.MIG 033** Rubber&Tires
- A.MIG 041** Dark Rust
- A.MIG 045** Gun Metal
- A.MIG 094** Crystal Glass
- A.MIG 096** Crystal Periscope Green
- A.MIG 097** Crystal Orange
- A.MIG 194** Aluminium
- A.MIG 039** Desert Sand

U.S ARMY M9 ACE, 20th Engineers, deployed in Iraq.



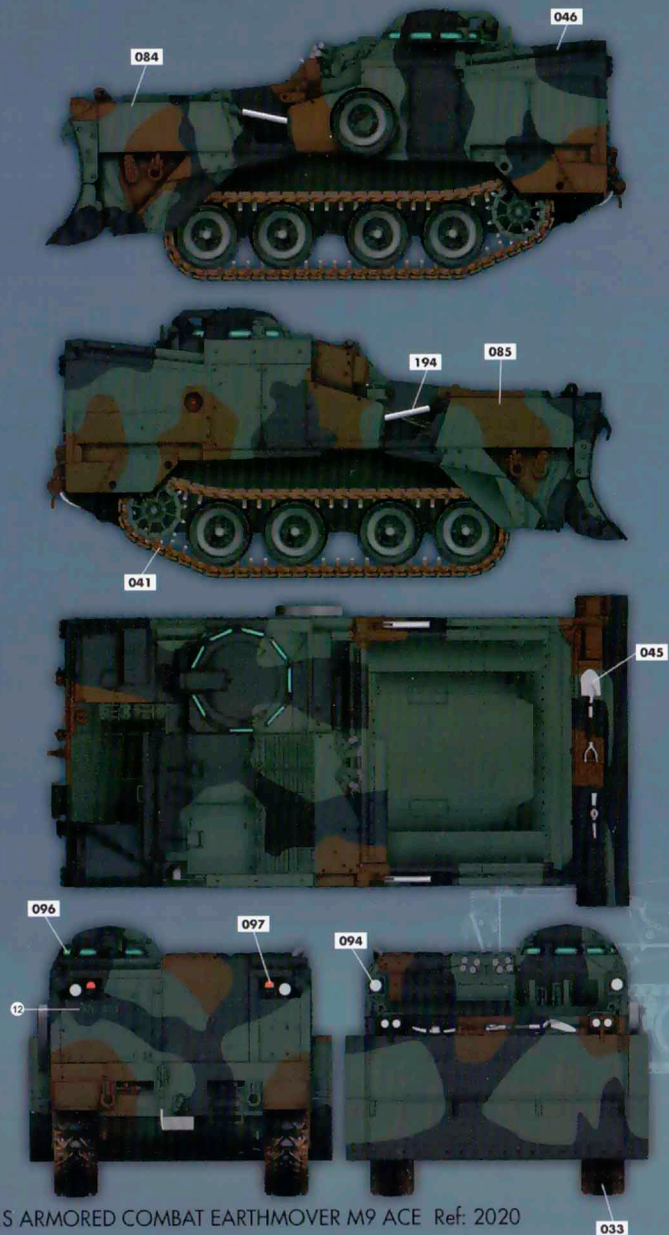


# M9 ACE

## Painting and Marking Guide

- A.MIG 033** Rubber&Tires
- A.MIG 041** Dark Rust
- A.MIG 045** Gun Metal
- A.MIG 094** Crystal Glass
- A.MIG 096** Crystal Periscope Green
- A.MIG 097** Crystal Orange
- A.MIG 194** Aluminium
- A.MIG 046** Matt Black
- A.MIG 084** NATO Green
- A.MIG 085** NATO Brown

TAIWAN ARMY M9 ACE.

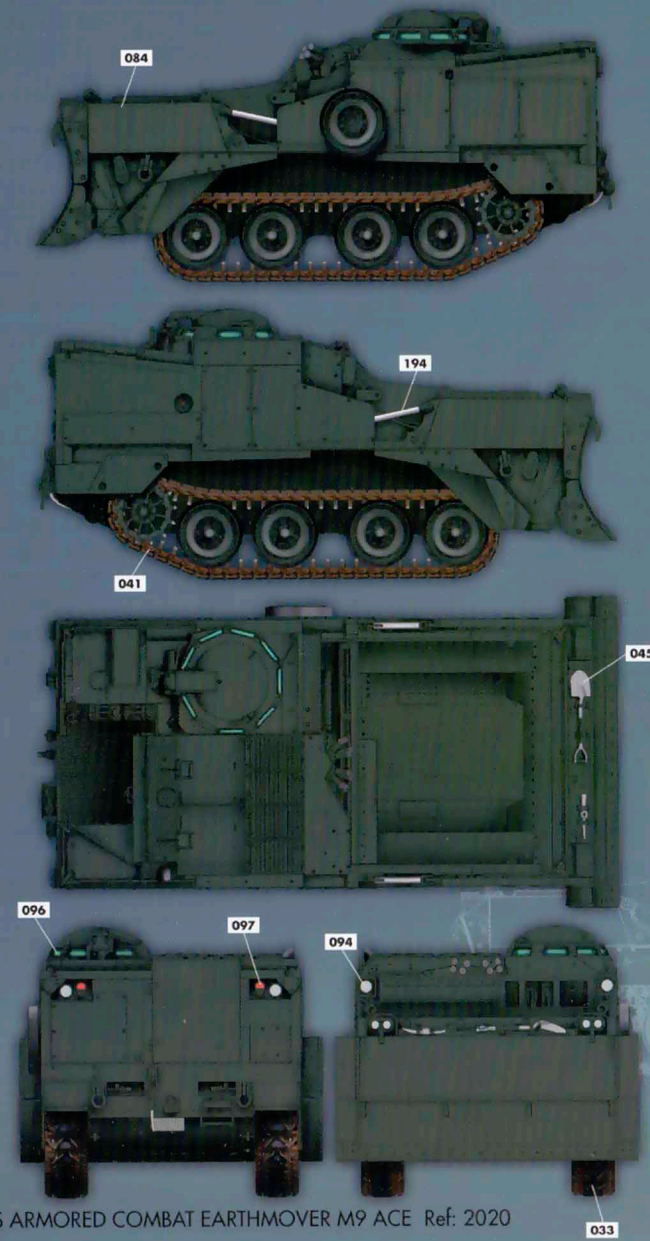


# M9 ACE

## Painting and Marking Guide

- A.MIG 033** Rubber&Tires
- A.MIG 041** Dark Rust
- A.MIG 045** Gun Metal
- A.MIG 094** Crystal Glass
- A.MIG 096** Crystal Periscope Green
- A.MIG 097** Crystal Orange
- A.MIG 194** Aluminium
- A.MIG 084** NATO Green

U.S ARMY M9 ACE, deployed in Iraq war.



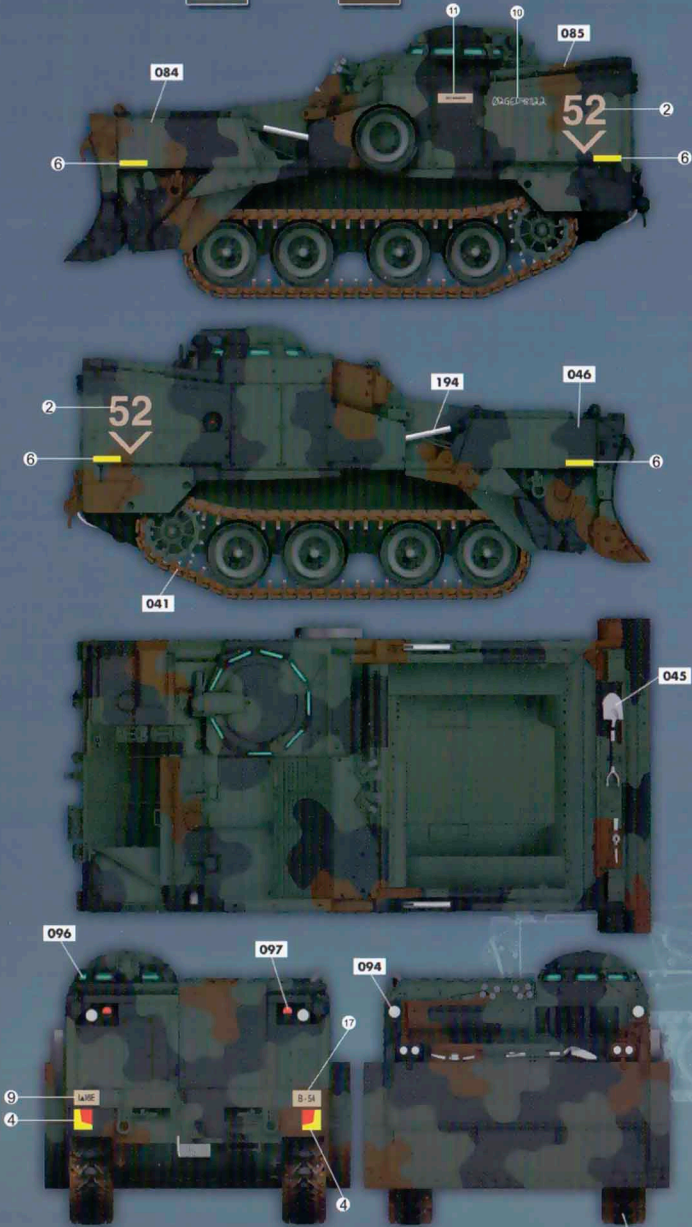


# M9 ACE

## Painting and Marking Guide

- A.MIG 033** Rubber&Tires
- A.MIG 041** Dark Rust
- A.MIG 045** Gun Metal
- A.MIG 094** Crystal Glass
- A.MIG 096** Crystal Periscope Green
- A.MIG 097** Crystal Orange
- A.MIG 194** Aluminium
- A.MIG 046** Matt Black
- A.MIG 084** NATO Green
- A.MIG 085** NATO Brown

U.S ARMY M9 ACE in NATO Camouflage.

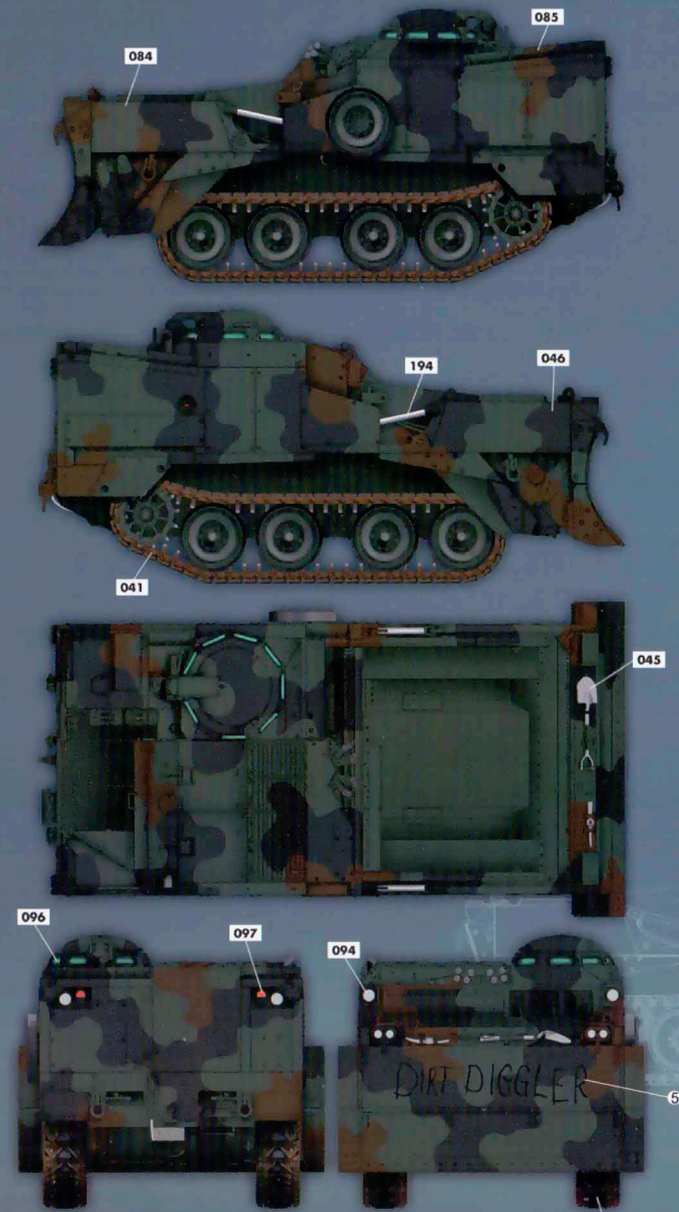


# M9 ACE

## Painting and Marking Guide

- A.MIG 033** Rubber&Tires
- A.MIG 041** Dark Rust
- A.MIG 045** Gun Metal
- A.MIG 094** Crystal Glass
- A.MIG 096** Crystal Periscope Green
- A.MIG 097** Crystal Orange
- A.MIG 194** Aluminium
- A.MIG 046** Matt Black
- A.MIG 084** NATO Green
- A.MIG 085** NATO Brown

U.S ARMY M9 ACE "Dirty Digler", deployed during the Invasion of Iraq.

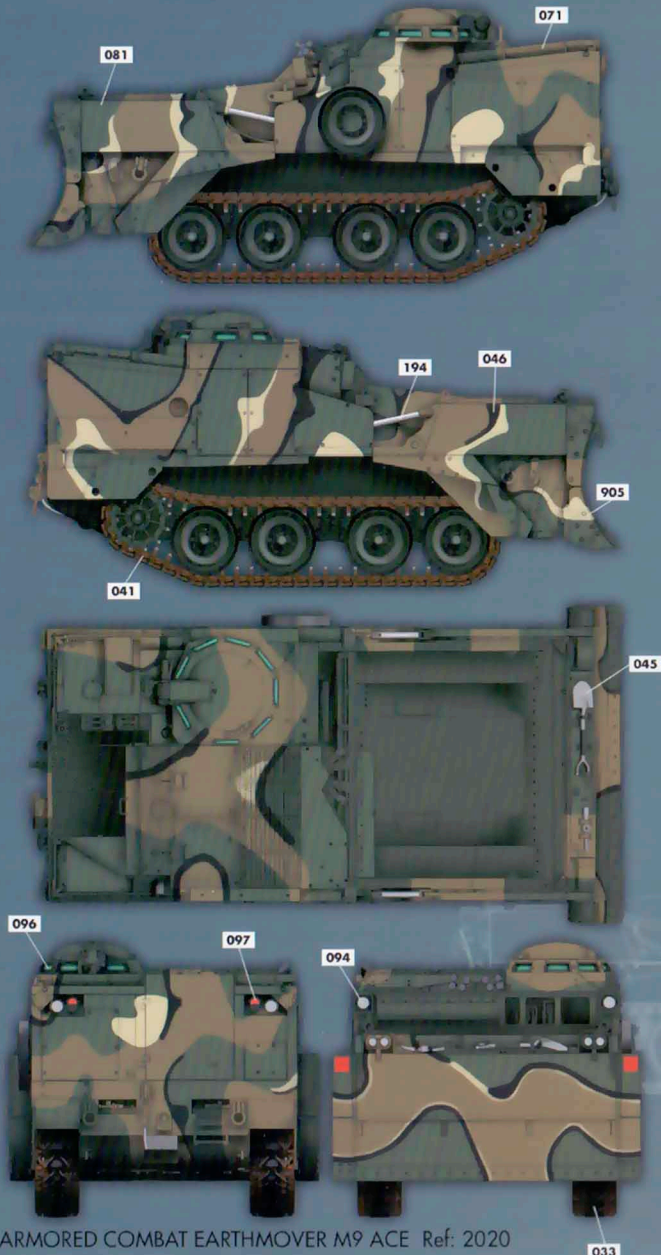




## Painting and Marking Guide

- A.MIG 033** Rubber&Tires
- A.MIG 041** Dark Rust
- A.MIG 045** Gun Metal
- A.MIG 094** Crystal Glass
- A.MIG 096** Crystal Periscope Green
- A.MIG 097** Crystal Orange
- A.MIG 194** Aluminium
- A.MIG 046** Matt Black
- A.MIG 071** Khaki
- A.MIG 081** US Olive Drab
- A.MIG 905** Dunkelgelb Shine

South Korean Army M9 ACE.



## Painting and Marking Guide

- A.MIG 033** Rubber&Tires
- A.MIG 041** Dark Rust
- A.MIG 045** Gun Metal
- A.MIG 094** Crystal Glass
- A.MIG 096** Crystal Periscope Green
- A.MIG 097** Crystal Orange
- A.MIG 194** Aluminium
- A.MIG 046** Matt Black
- A.MIG 071** Khaki
- A.MIG 081** US Olive Drab
- A.MIG 905** Dunkelgelb Shine

South Korean Marines M9 ACE.

