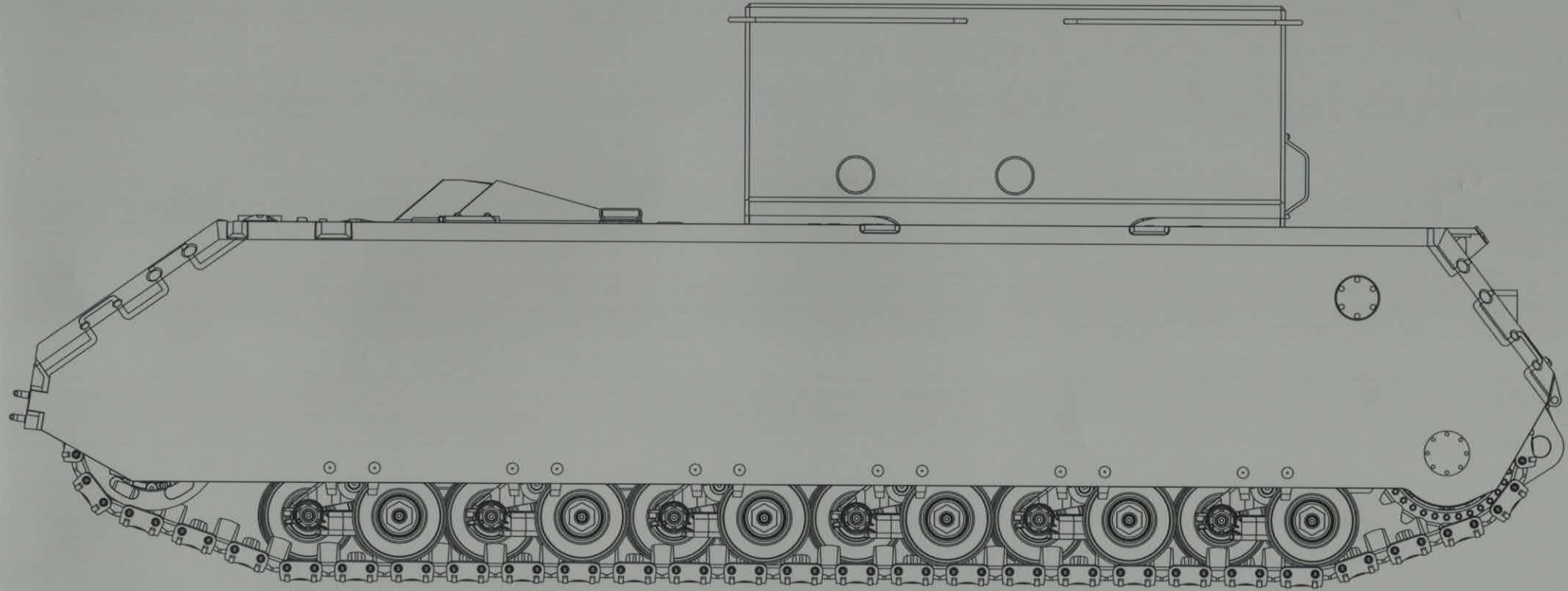


WWII GERMAN SUPER HEAVY TANK

MAUS V1



In 1942, Ferdinand Porsche recommended Adolph Hitler to develop his design, the Vk.11001 Porsche Type 205. Because it was believed that 'bigger is better', the design was approved. Ultimately, this theory failed in practice, as the power-to-weight ratio was never brought to balance, and the tank was too heavy to cross bridges.

The resulting prototype Sd.Kfz 205 became known as the 'Maus V1', and was completed near the end of 1943. The V1 was delivered with a mock-up turret without any armament. With a battle weight of some 188 metric tons, the Maus was driven by Porsche's failed 'electric transmission used in the Vk. 4501 (P) and powered by the Daimler-Benz MB 509 gasoline engine (later replaced with by Daimler-Benz MB 517 diesel engine) reaching speeds of just 20 km/h (12 mph). Armor protection ranged from 50 to 250 mm (1.96-9.84 in).

The second prototype of the Sd.Kfz.205 became known as the 'Maus V2', and was delivered with an operational gun turret armed with the Krupp-designed 128 mm KwK 44 L/55 canon (used in the Jagdtiger) with a coaxial 75 mm KwK 44 L/36.5 gun and a coaxial 7.92 mm MG 34.

The Maus was cancelled before production could begin, but the two completed prototypes were thoroughly tested by the Germans before the end of the war. While the second prototype was destroyed, the Russians captured both examples and had the turret of V2 placed onto the hull of V1, after which the tank was evaluated in Germany and Russia before retiring at the Kubinka Tank Museum.

Painting and Marking Guide

AMMO 011 Dunkelgelb
Aus. 44 DG I

AMMO 035 Dark Tracks

AMMO 042 Old Rust

AMMO 015 Schabotbraun

Maus. Second Prototype. Kummerdorf.



Painting and Marking Guide

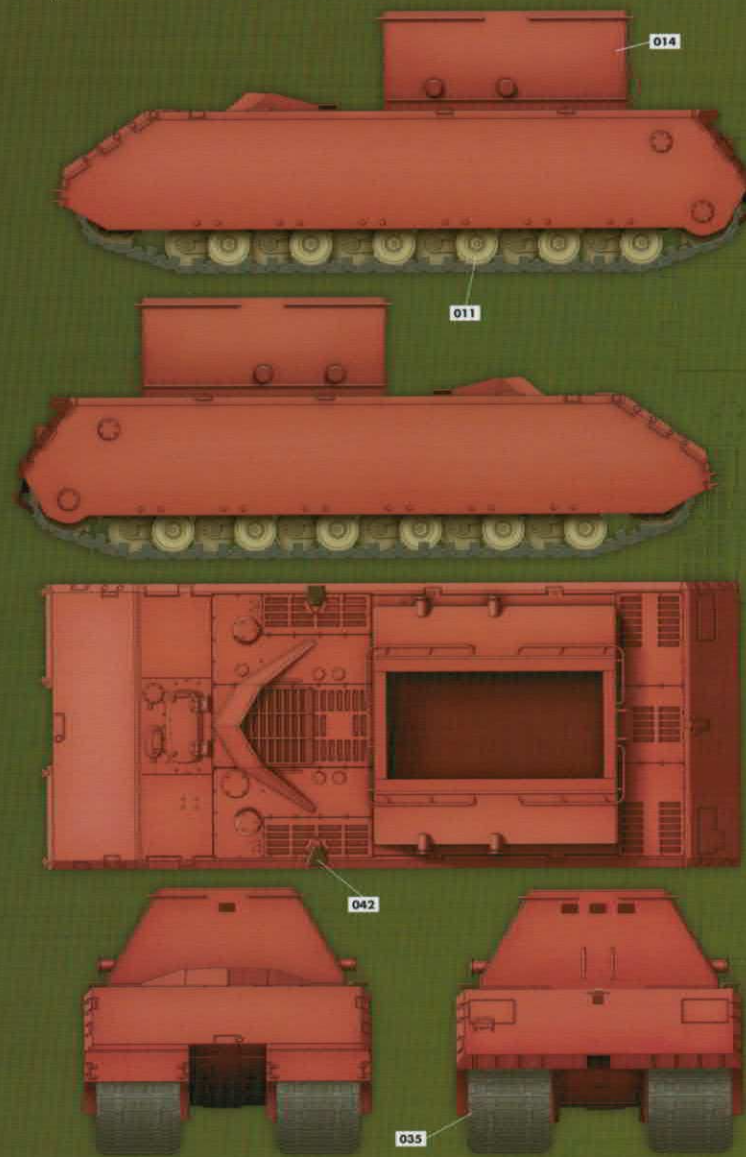
AMMO 011 Dunkelgelb
Aus. 44 DG I

AMMO 035 Dark Tracks

AMMO 042 Old Rust

AMMO 014 Rotbraun

Maus. First Prototype. Kummerdorf.



READ BEFORE ASSEMBLY

CAUTION

- Read carefully and fully understand the instructions before commencing assembly. A supervising adult should also read the instructions if a child assembles the model.
- When assembling this kit, tools including knives used. Extra care should be taken to avoid personal injury.
- Keep out of reach of small children. Children must not be allowed to suck any part, or pull vinyl bag over their heads.



Optional



Drill



Be Careful



Do Not
Cement



Instant Glue
for Metal

PAINTS REQUIRED

Color info and profiles by Mig Jimenez

A.MIG 011 Dunkelgelb
AUS'44DG I

A.MIG 035 Dark Tracks

A.MIG 042 Old Rust

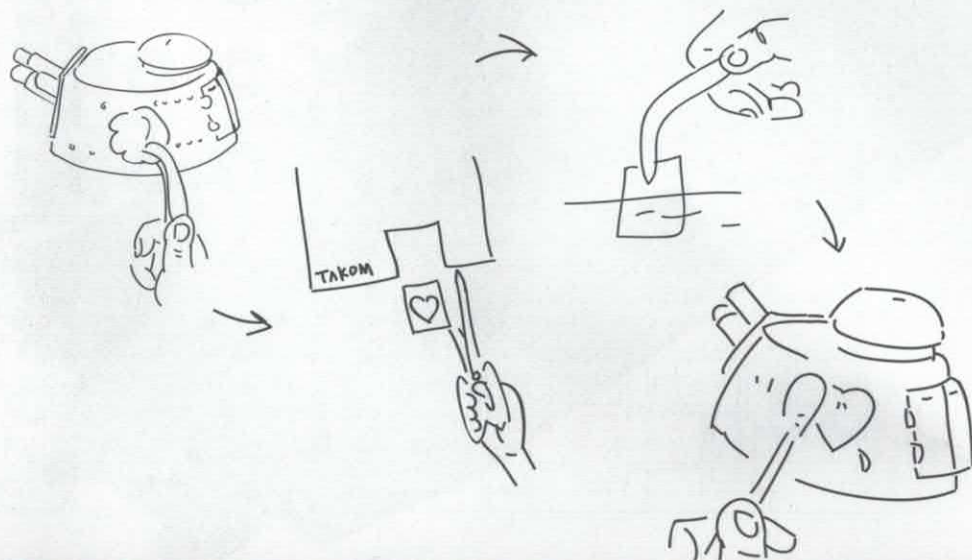
A.MIG 002 Olivgrun
Opt.2

A.MIG 015 Schokobraun

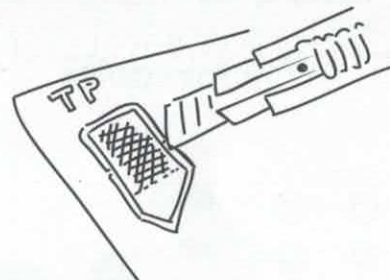
A.MIG 014 Rotbraun

APPLYING DECALS

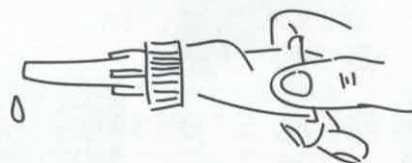
1. Clean the model surface with a wet cloth.
2. Cut out each decal design from sheet, and dip it in tepid water for 15~20 sec.
3. Hold the backing sheet edge and slide decal onto the model.
4. Move decal into position by wetting decal with finger.
5. Press decal gently down with a soft cloth until excess water and air bubbles are gone.



REMOVING PE



Be careful not to hurt when removing PE parts.

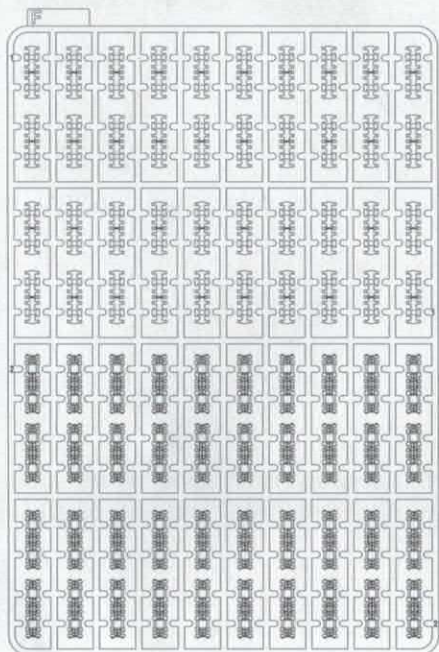


Secure using instant glue (not included).

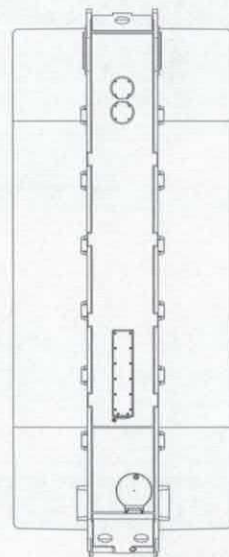
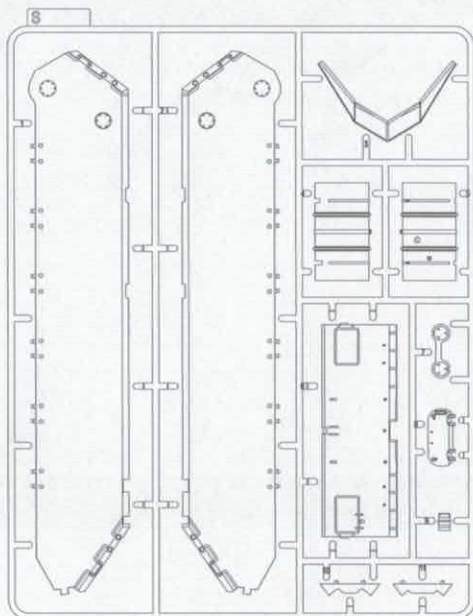
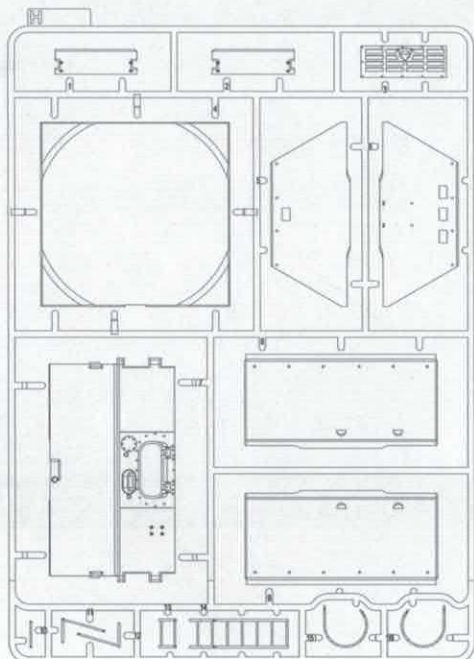


Finish using file.

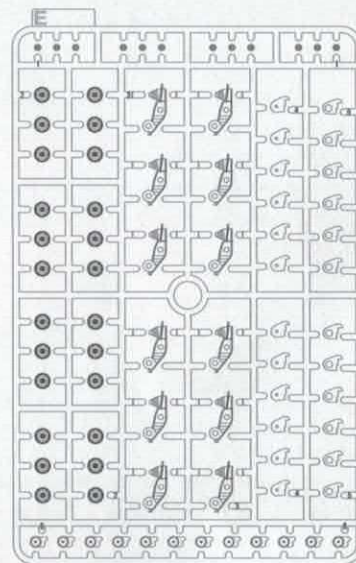
PARTS



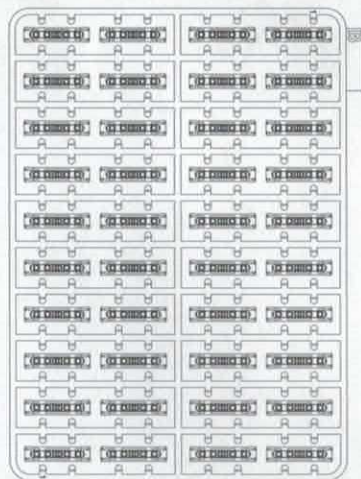
X3



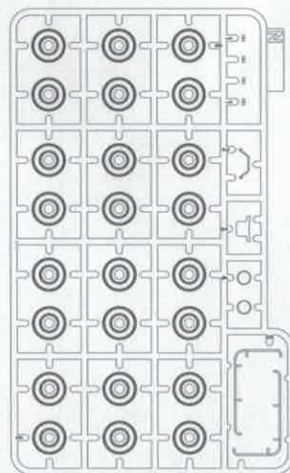
Lower Hull



X2



X3



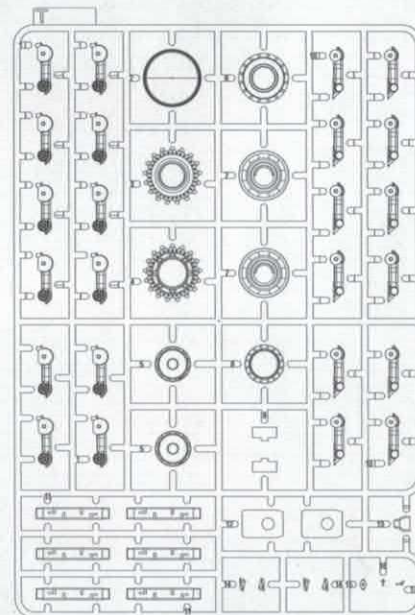
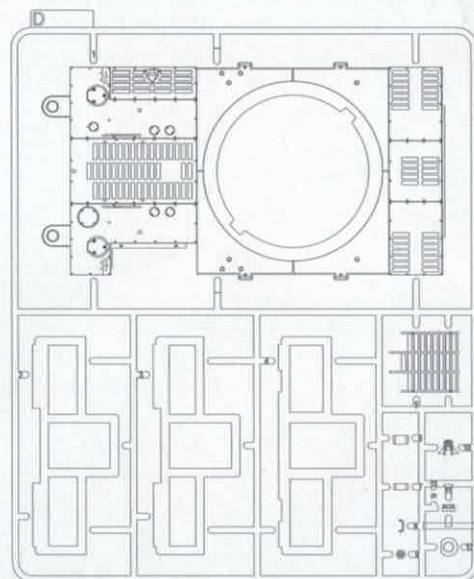
X2



Decal

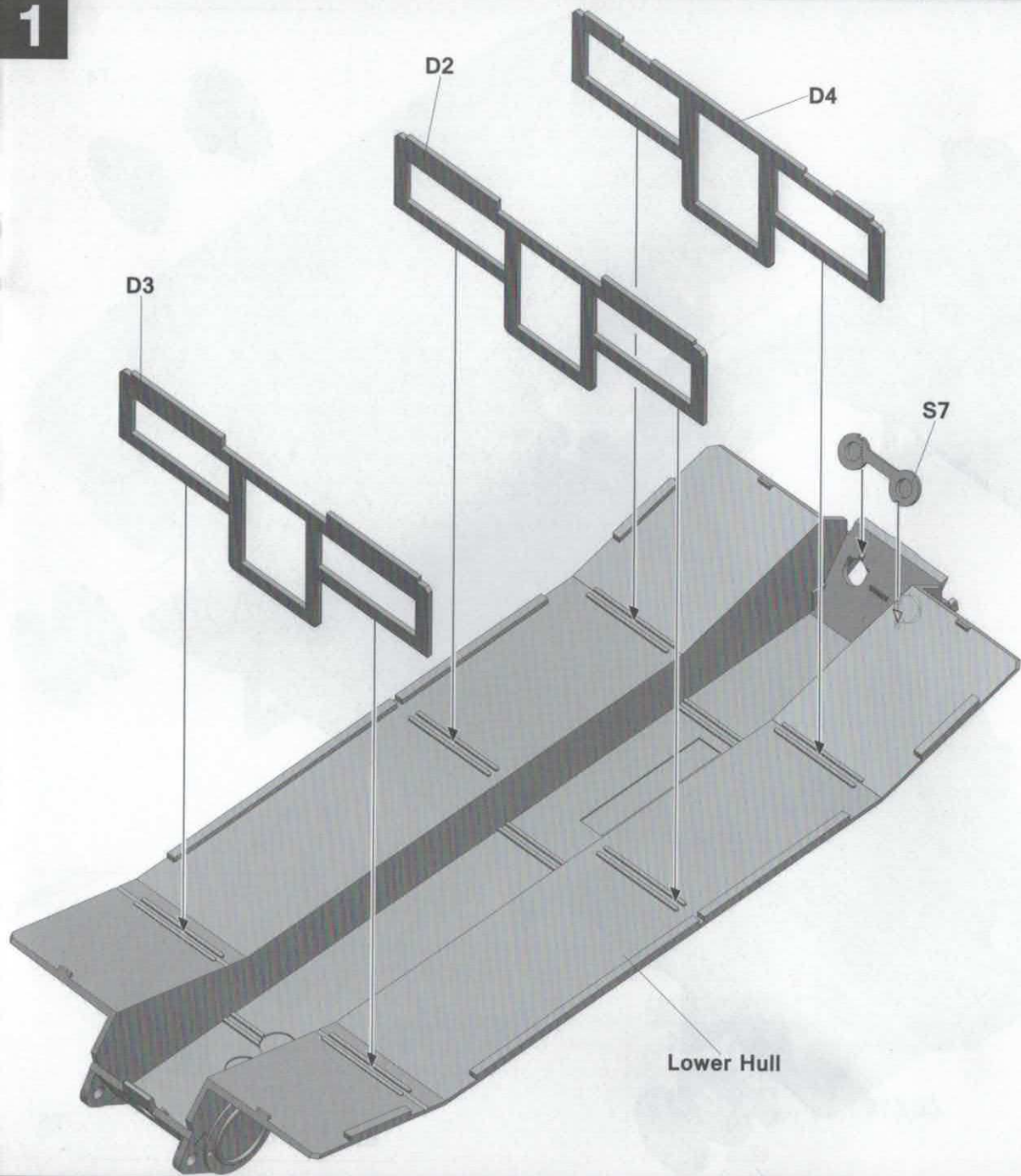


TP

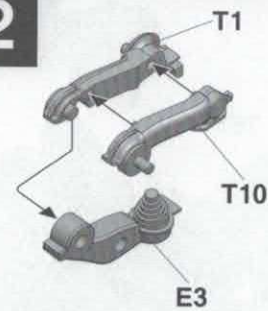


X2

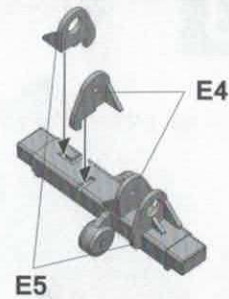
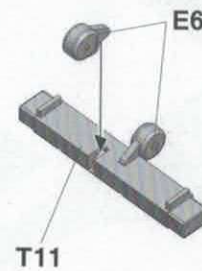
1



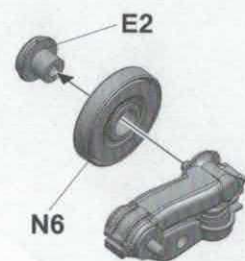
2



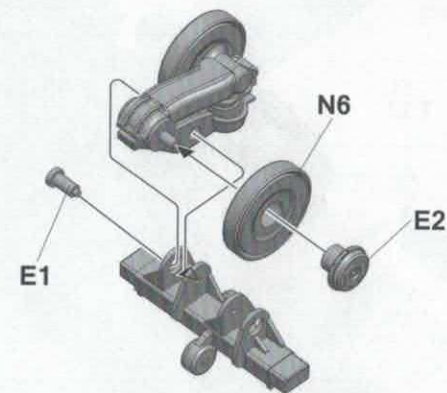
Make 24



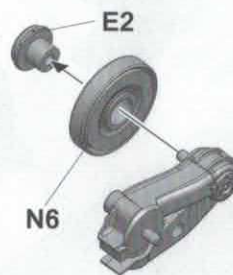
Make 12



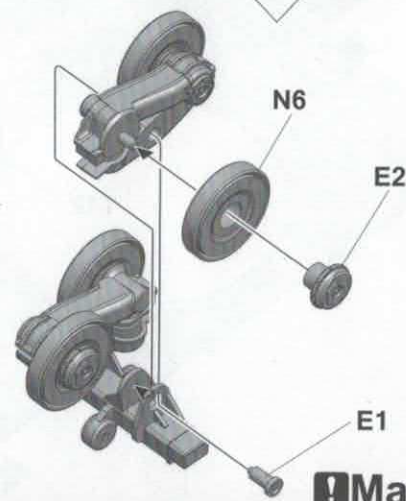
Make 12



Make 12

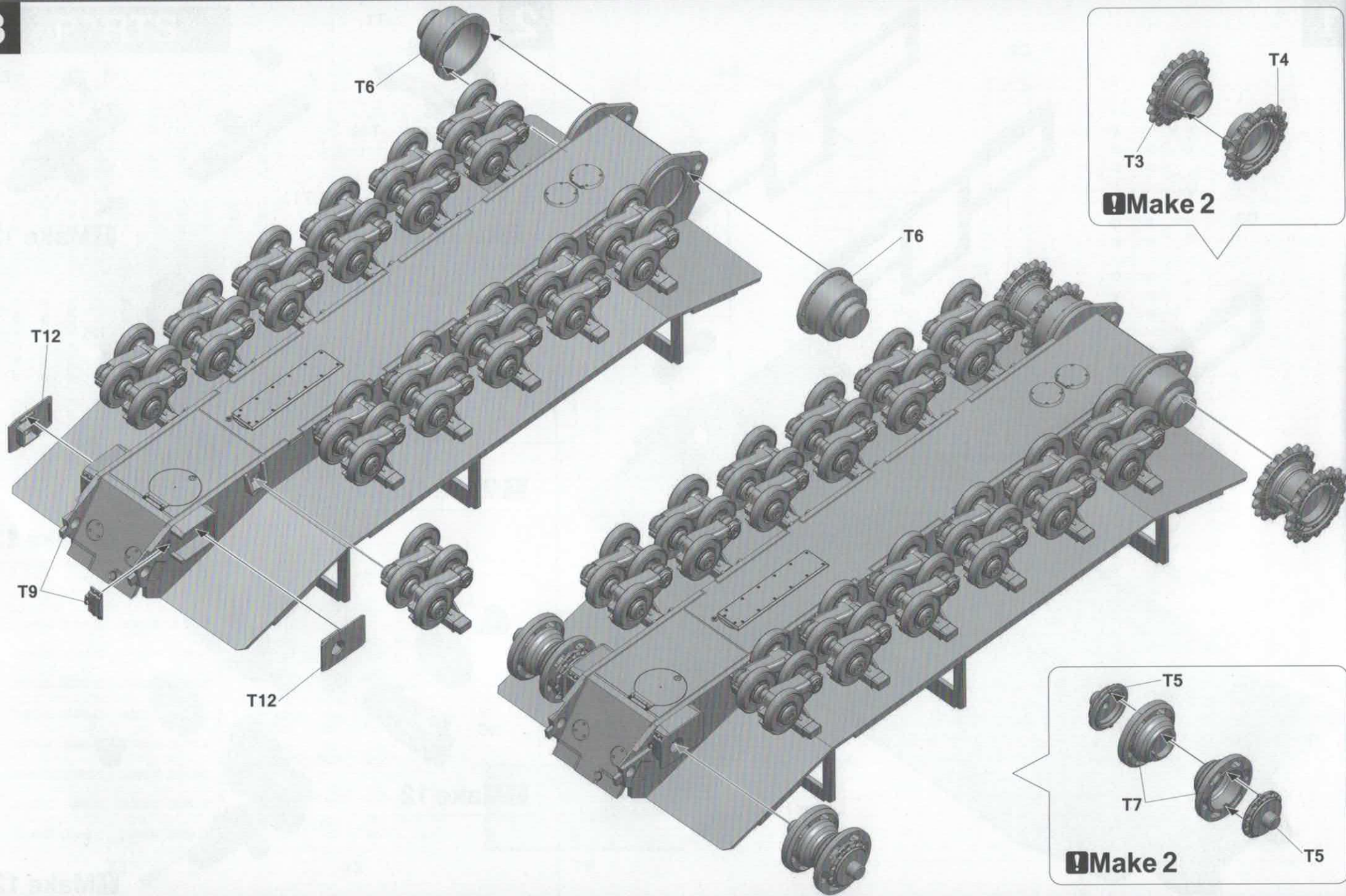


Make 12



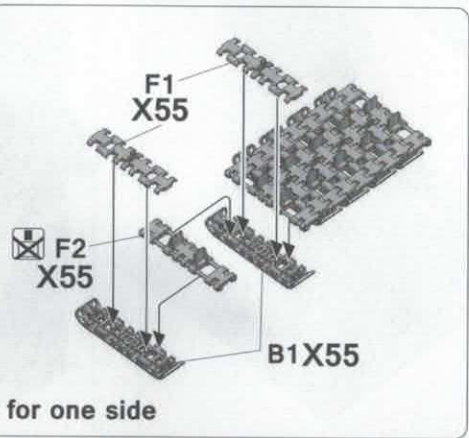
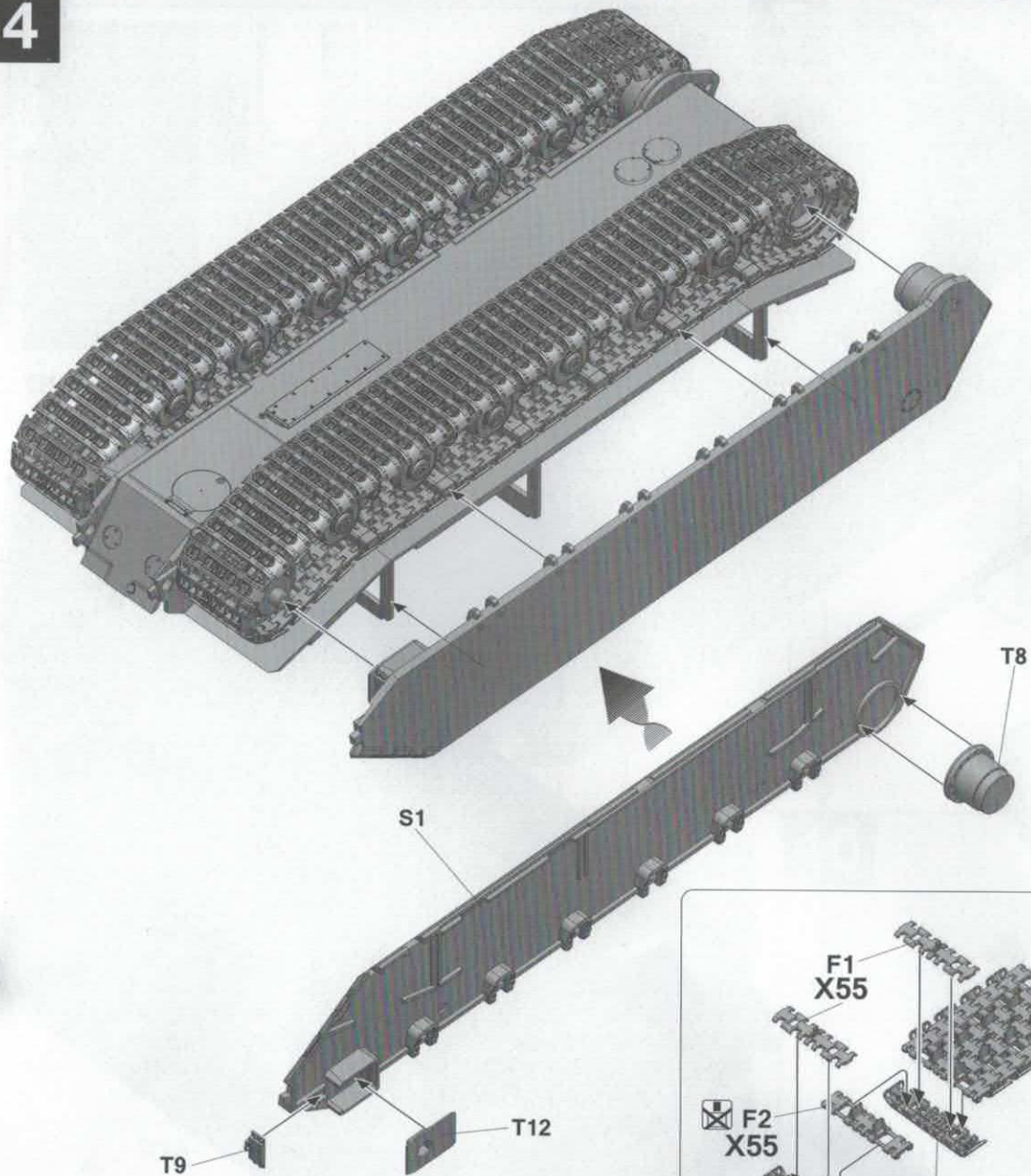
Make 12

3

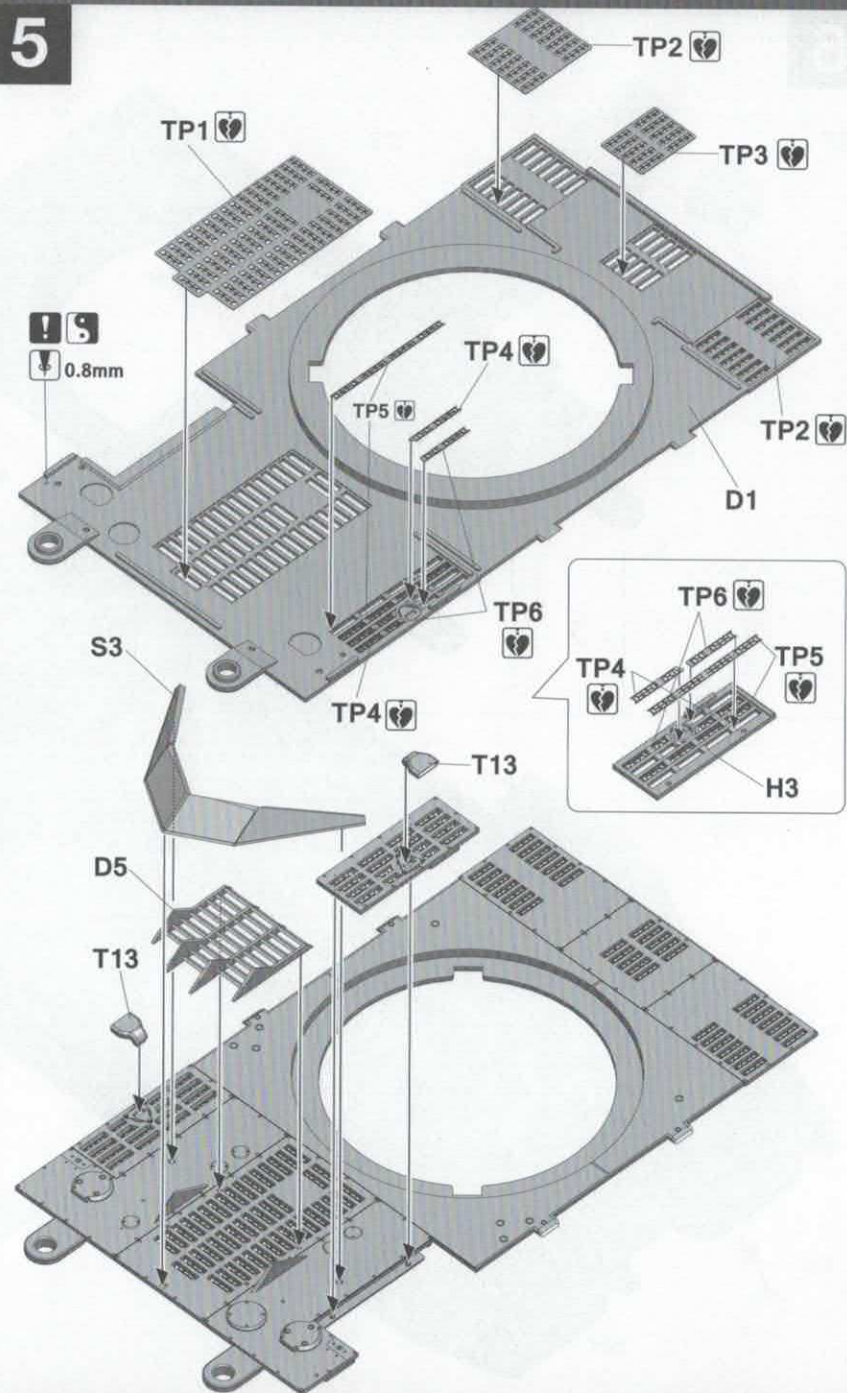


4

4

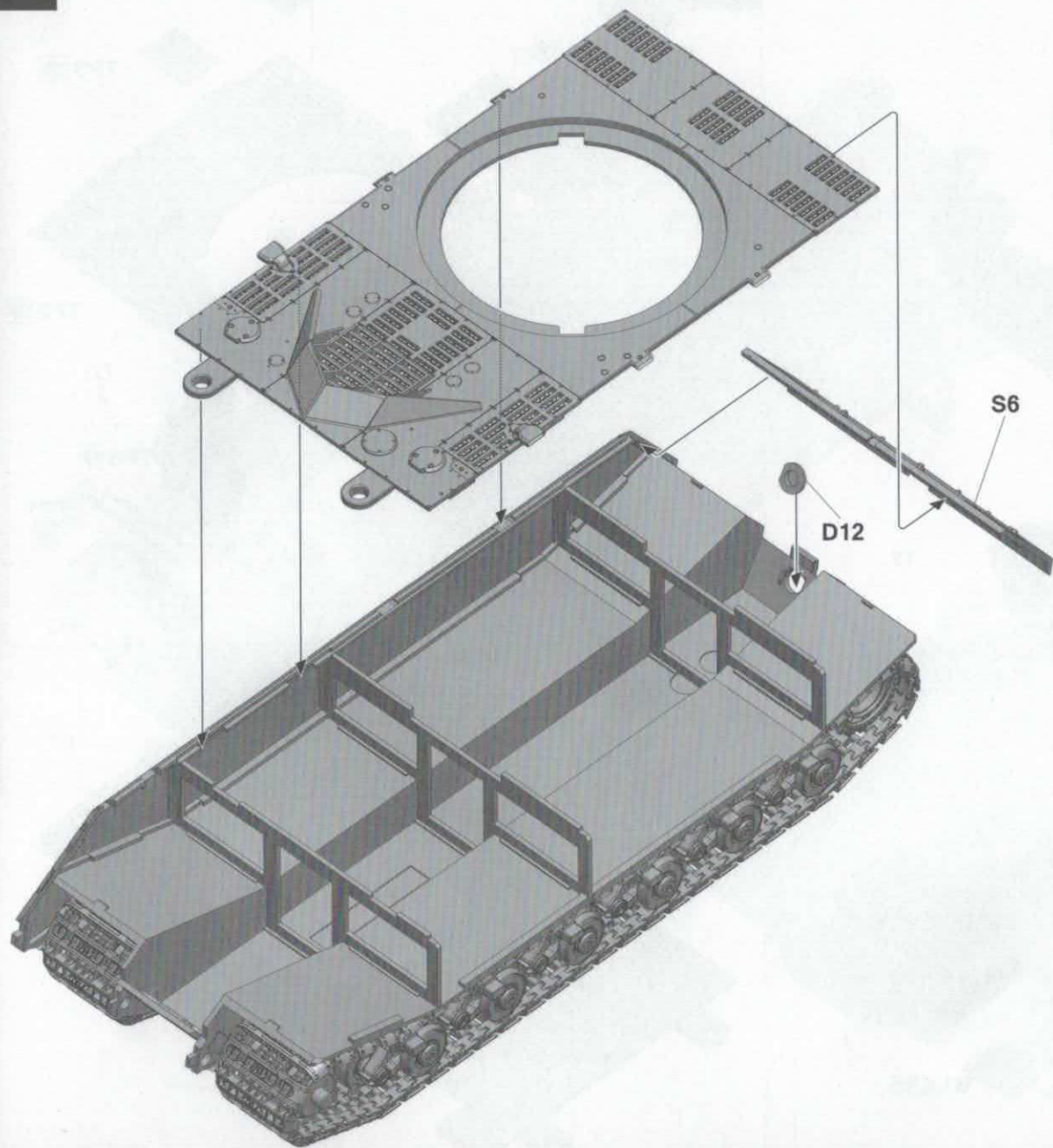


5

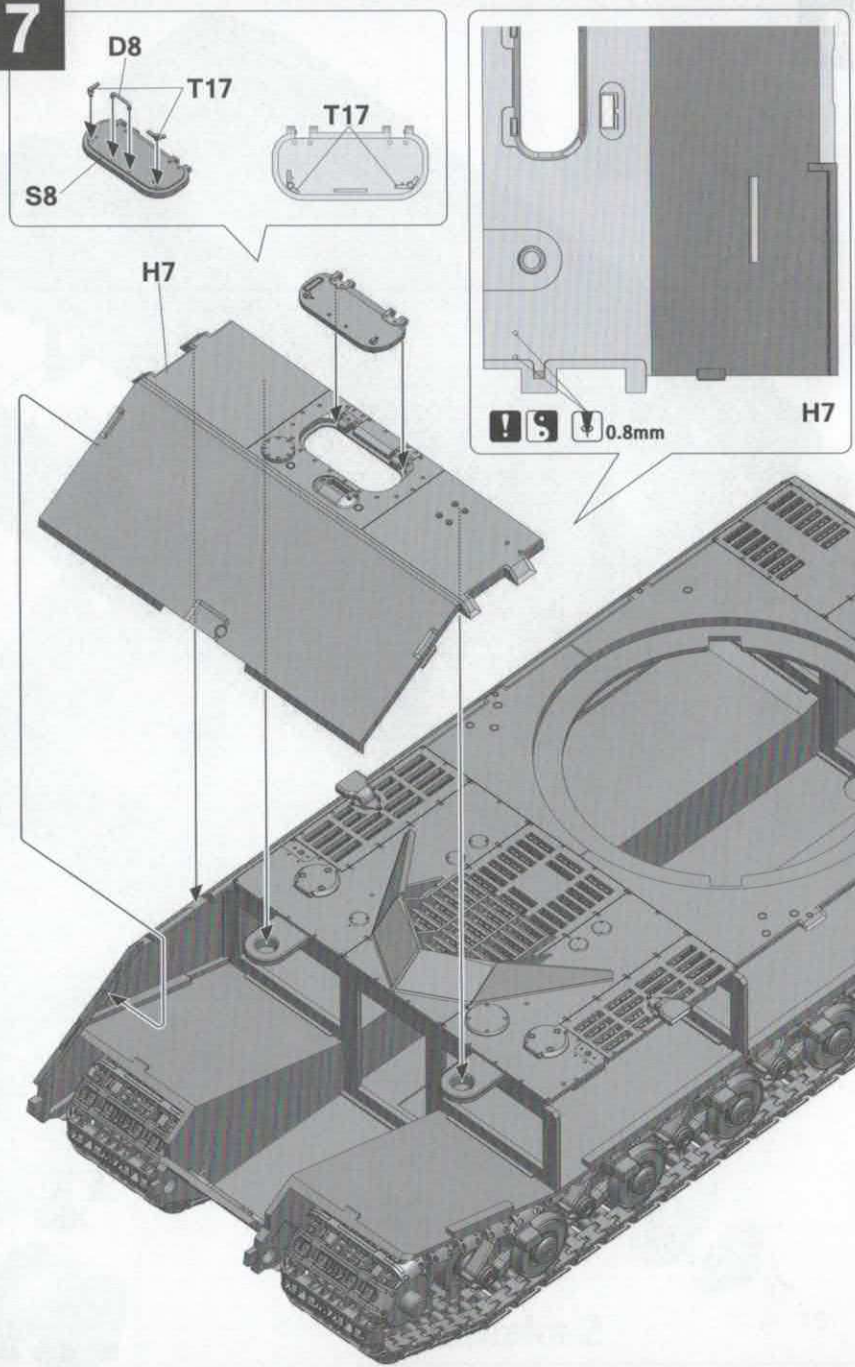


5

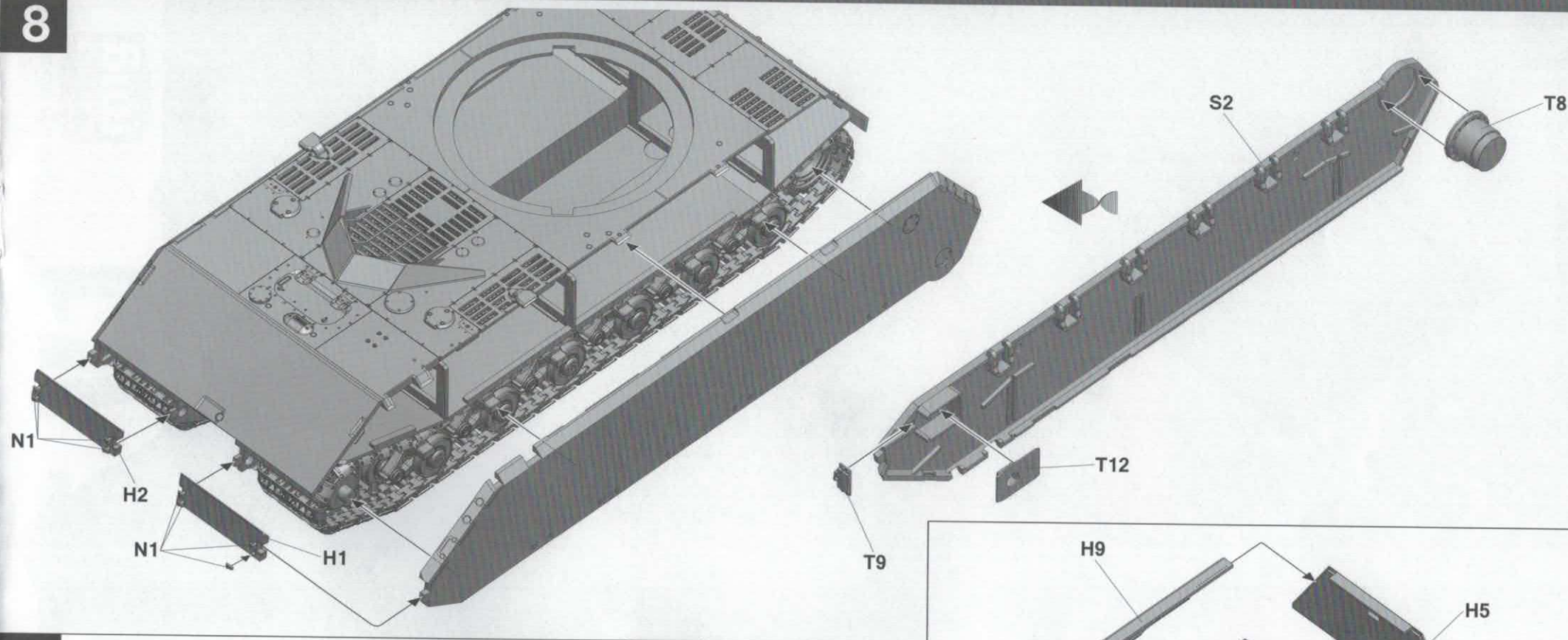
6



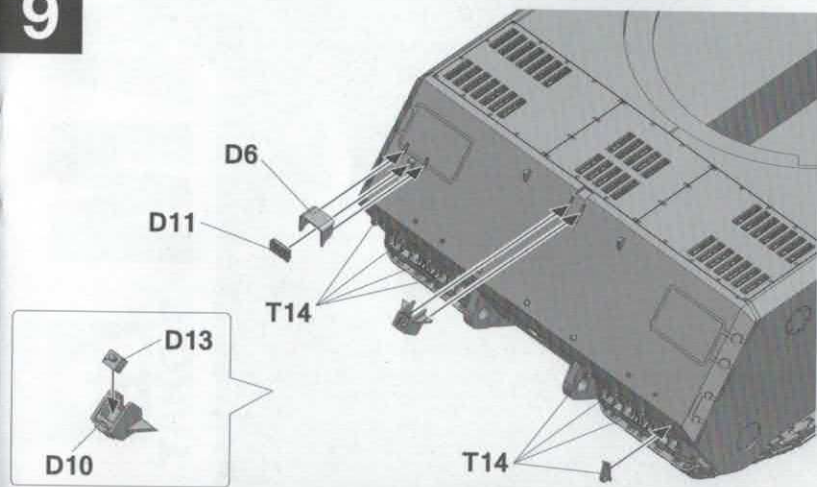
7



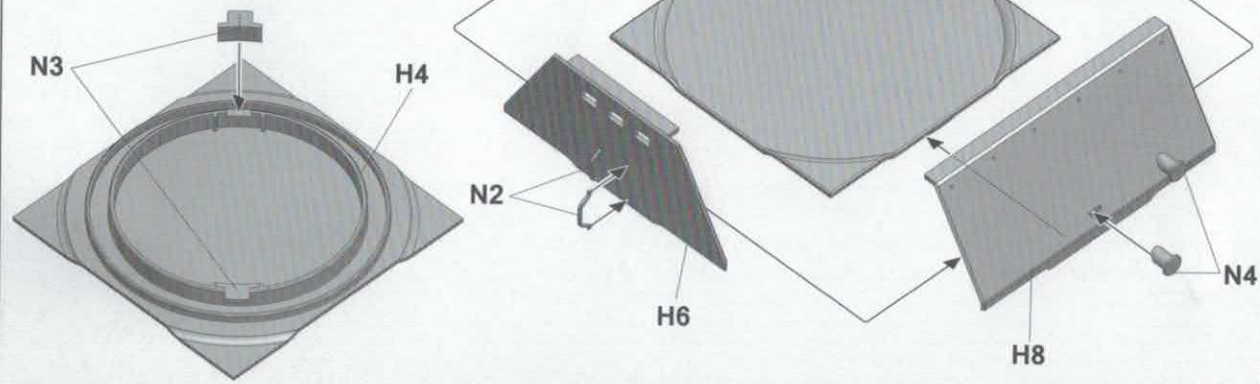
8



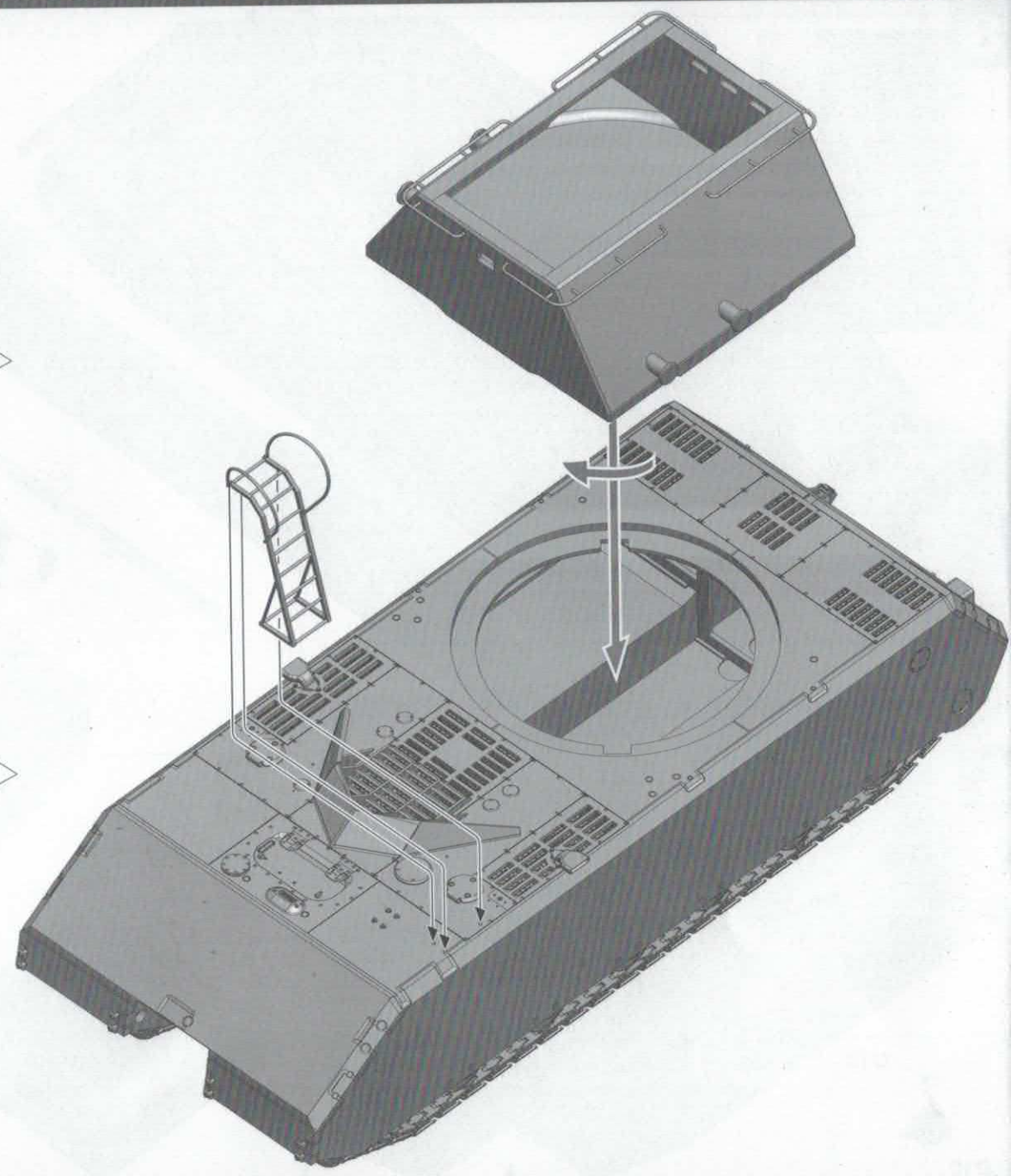
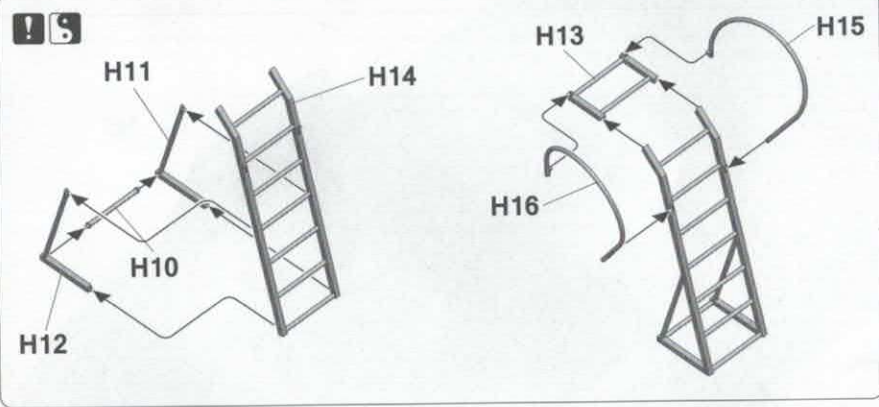
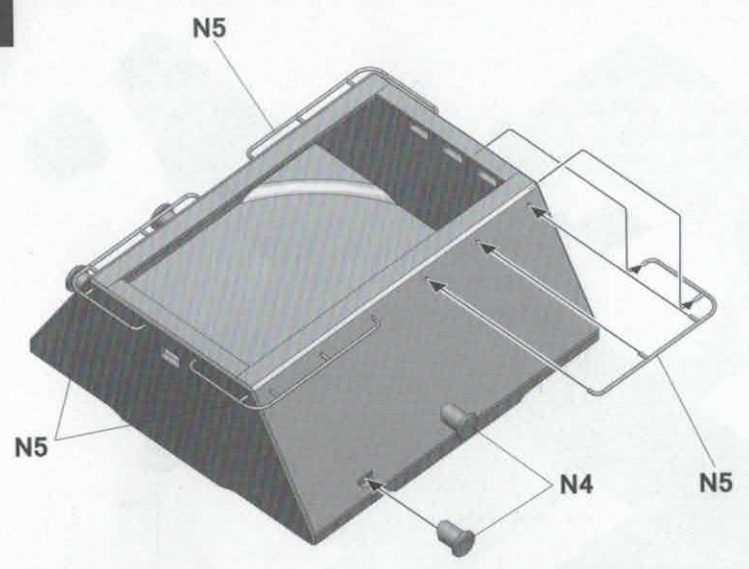
9



10



11



03.03.2049



MAUS V1

Color info and profiles by



Painting and Marking Guide

Maus Opt.2, Second Prototype.
Kummerdorf.

A.MIG 011 Dunkelgelb
Aus. 44 DG I

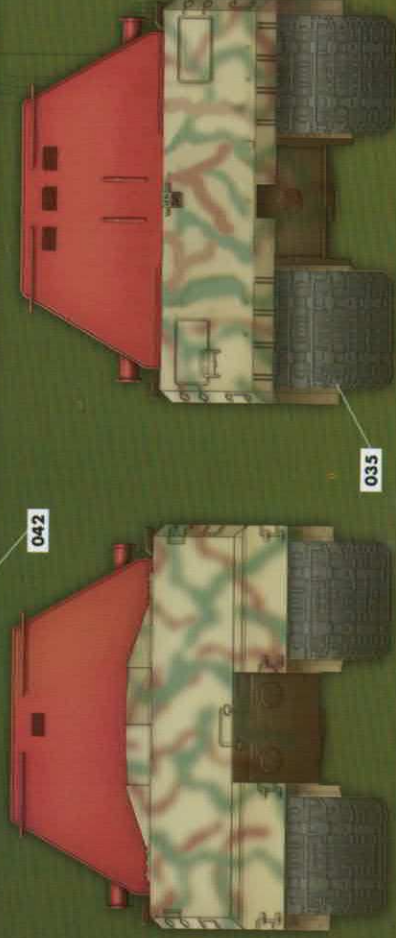
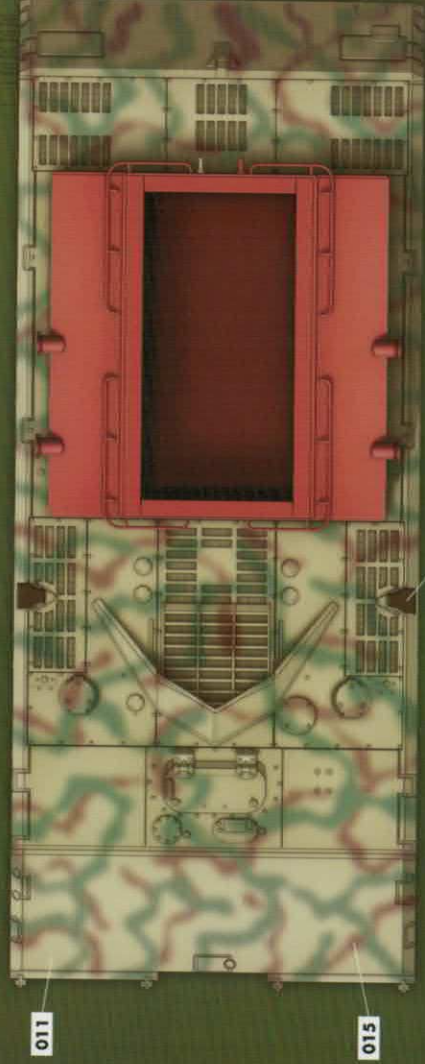
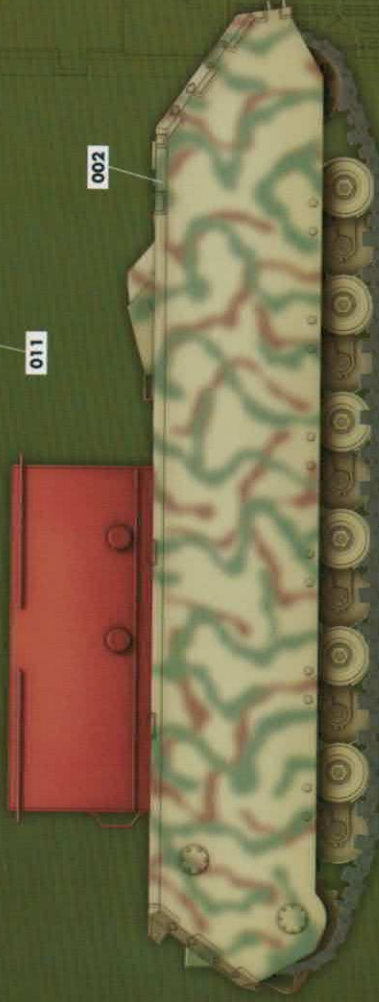
A.MIG 014 Rotbraun

A.MIG 035 Dark Tracks

A.MIG 042 Old Rust

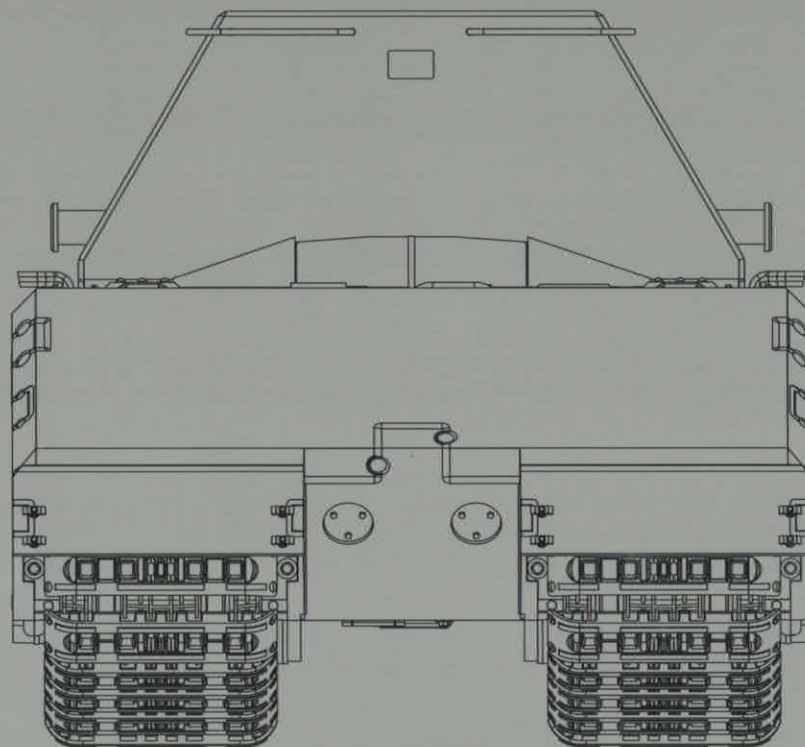
A.MIG 002 Olivgrün Opt.2

A.MIG 015 Schokobraun



TAKOM

MAUS V1 Ref: 2049



You can find TAKOM on Facebook.com