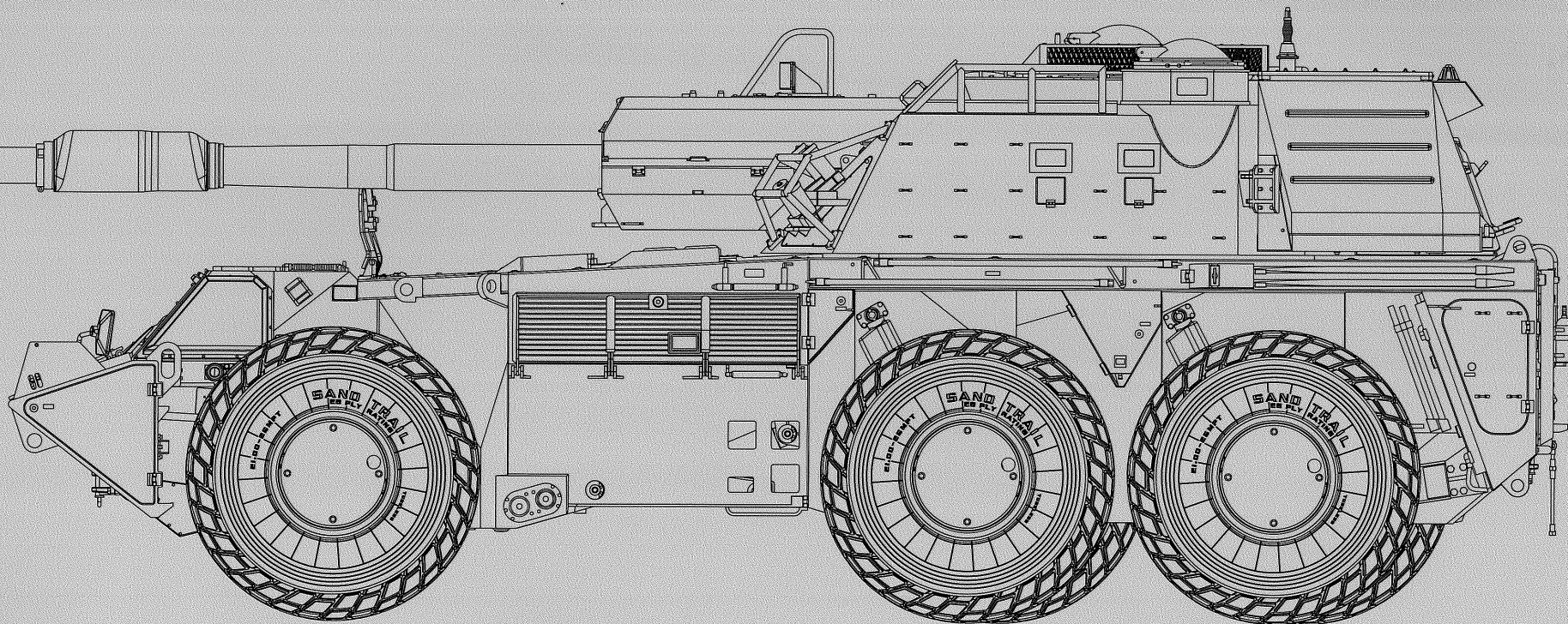


SANDF SELF-PROPELLED HOWITZER

G6 Rhino



... successful efforts, on November 4 1977, the UN imposed a mandatory trade embargo against South Africa in response to its controversial apartheid political system. Because South Africa had been at war with its Soviet & Cuban sponsored forces since the 1960's, it was imperative that the military acquire and maintain a reliable source of modern weaponry, and the UN embargo left South Africa with no choice but to circumvent the embargo and develop its own indigenous arms industry.

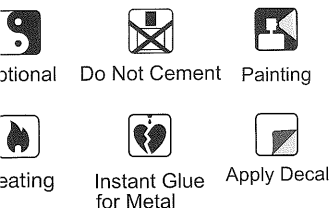
In many other requirements, one important system needed was a new 155mm artillery system. Denel Land Systems of South Africa developed the 155mm G5 towed howitzer for the South African National Defence Forces (SANDF), with the first production units being delivered in 1983. At the same time, they were also developing a self-propelled version based on a nearly identical gun, resulting in the locally known GV6 'Rhino'. Mine damage was a major concern during development, so a tracked platform was chosen over a wheeled vehicle to make repairs easier. The heavily armored lower hull is designed to deflect blasts from mines & IED's, and features an internal fire detection & suppression system. The 5-man crew also enjoys full protection.

The semi-automatically loaded 155mm gun can fire a number of indigenous HE rounds as well as NATO rounds using its own charges, with ranges up to at least 67km at a rate of 2-4 shots per minute. The gun is mounted in a fully enclosed turret which can rotate a full 180 degrees with an elevation of -5 to +75 degrees, and is stabilized by 4 arms mounted on the hull which raise the vehicle off the ground during firing. 45 rounds are carried internally, along with 50 charges and 64 fuses, as well as 1000 rounds. The vehicle is powered by a 580hp diesel engine allowing it to reach a top speed of 90km/h and an operational range of 700km. The Rhino first saw combat during the Angolan Civil war in Operation Moduler as part of the battle of Cuito Cuanavale in 1987. The first production version was completed in 1988, and an export version was later purchased by both Oman and the United Arab Emirates.

READ BEFORE ASSEMBLY

CAUTION

Read carefully and fully understand the instructions before commencing assembly. A supervising adult should also read the instructions if a child assembles the model. When assembling this kit, tools including knives used. Extra care should be taken to avoid personal injury. Keep out of reach of small children. Children must not be allowed to suck any part, or pull vinyl bag over their heads.



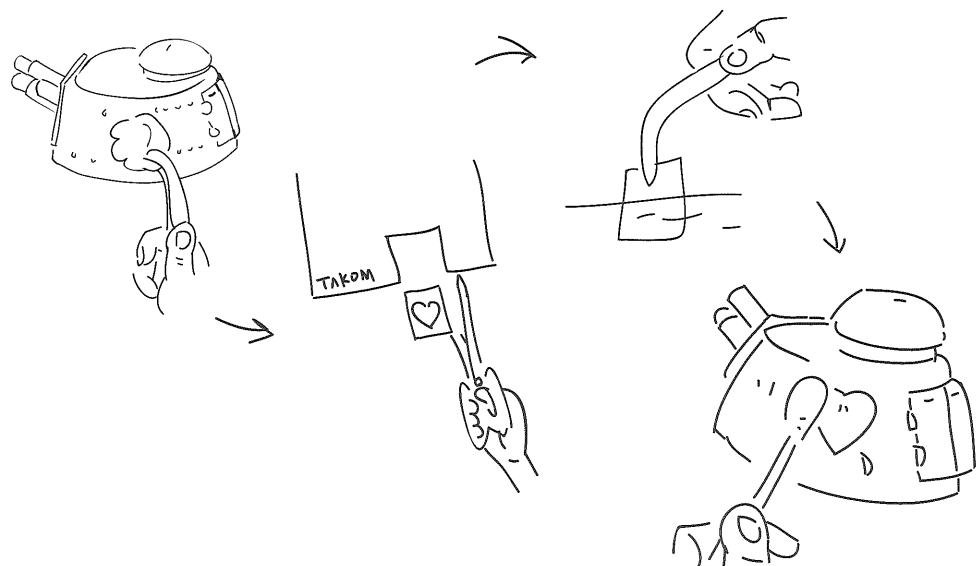
PAINTS REQUIRED

Color info and profiles by Mig Jimenez

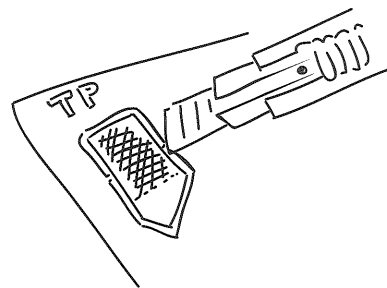
ALMIG 031	Rubber & Tires	ALMIG 047	White	ALMIG 042	Red	ALMIG 050	Crystal Smoke
ALMIG 109	Silver	ALMIG 051	Yellow Grey	ALMIG 070	Earth	ALMIG 061	US Olive Drab

APPLYING DECALS

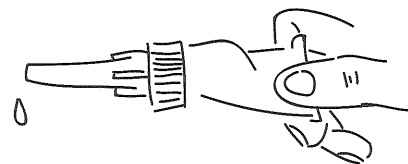
Clean the model surface with a wet cloth.
Cut out each decal design from sheet, and dip it in tepid water for 15~20 sec.
Hold the backing sheet edge and slide decal onto the model.
Move decal into position by wetting decal with finger.
Press decal gently down with a soft cloth until excess water and air bubbles are gone.



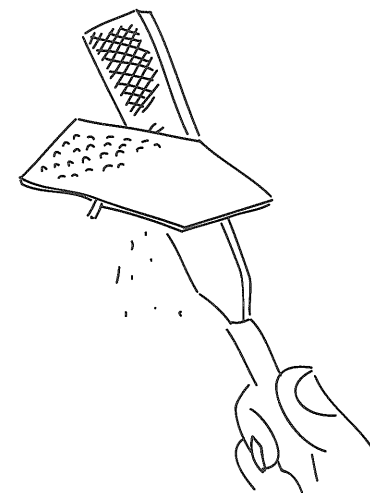
REMOVING PE



Be careful not to hurt when removing PE parts.

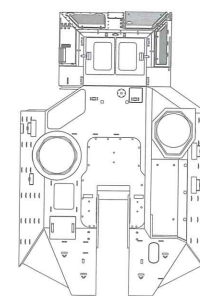
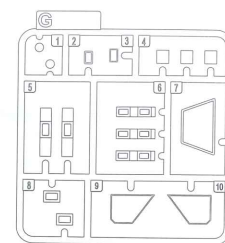
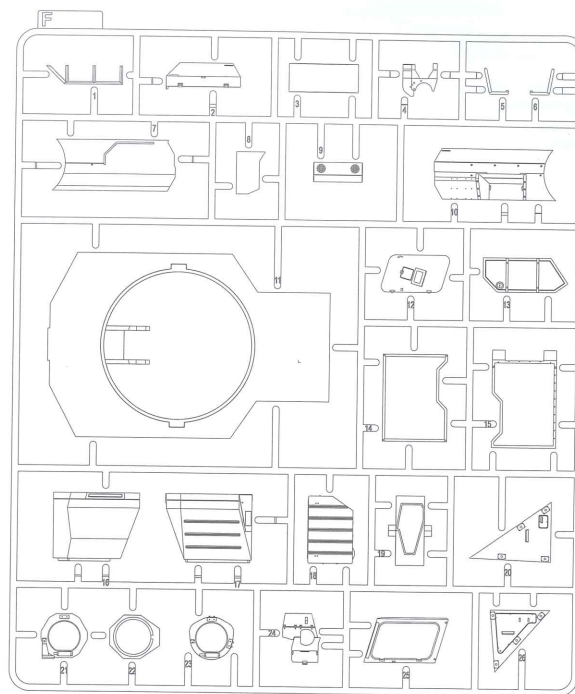
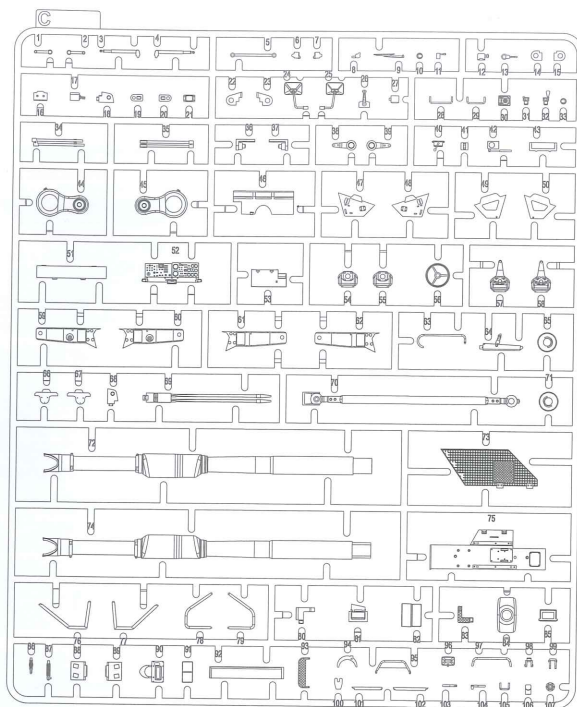
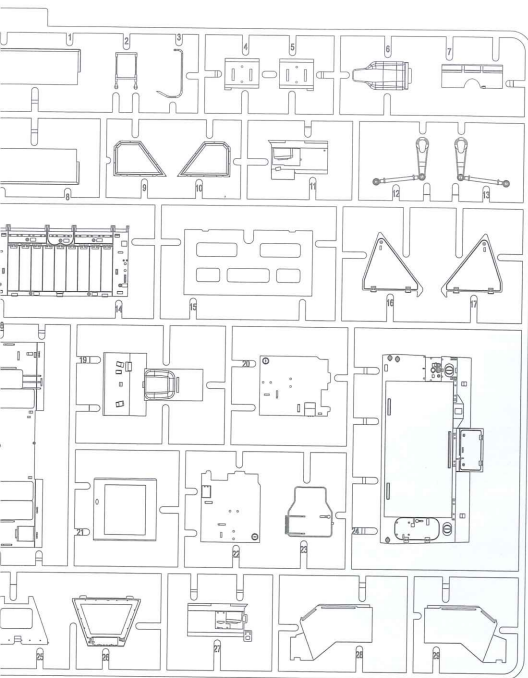


Secure using instant glue (not included).

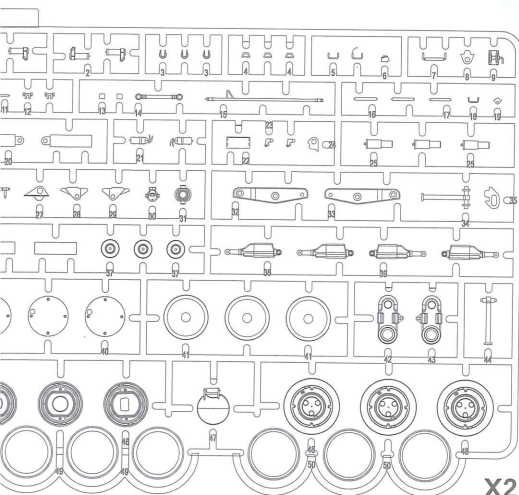


Finish using file.

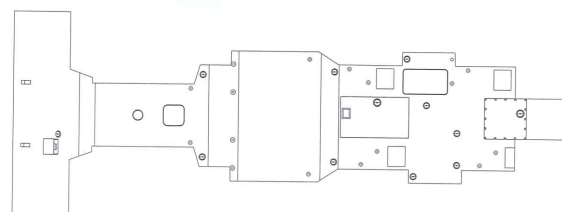
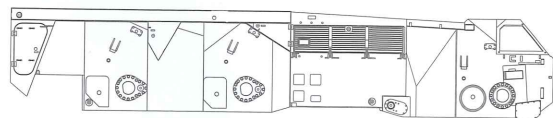
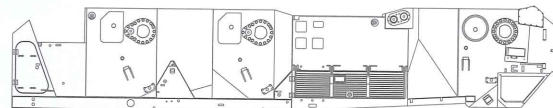
PARTS



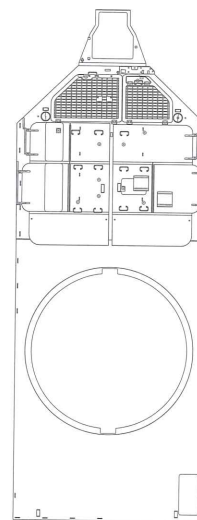
Turret



X2



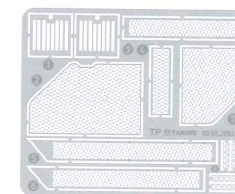
Lower Hull



Upper Hull



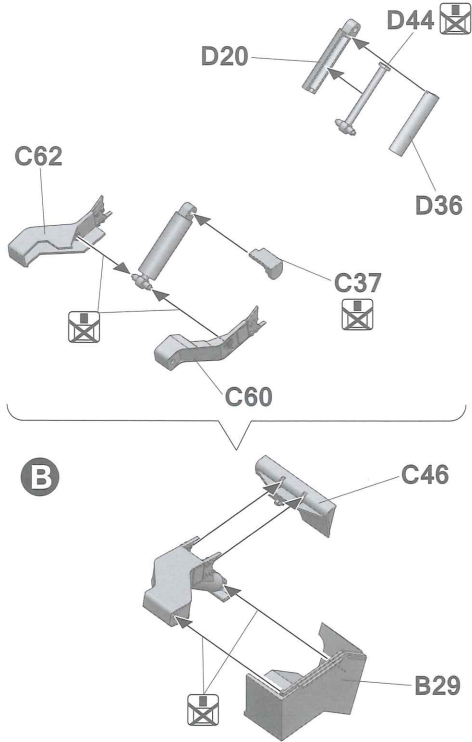
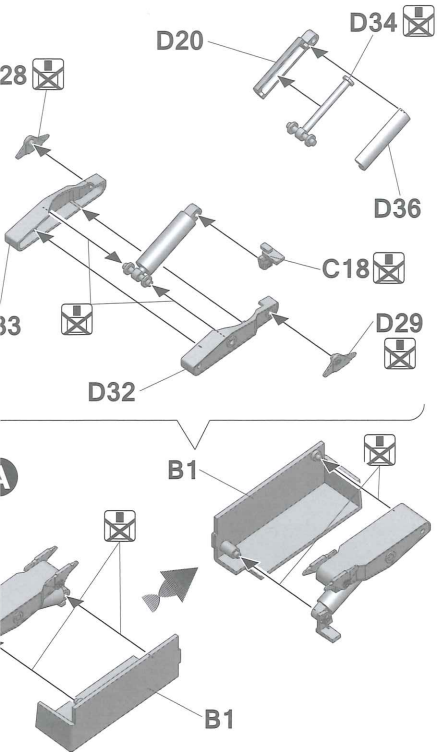
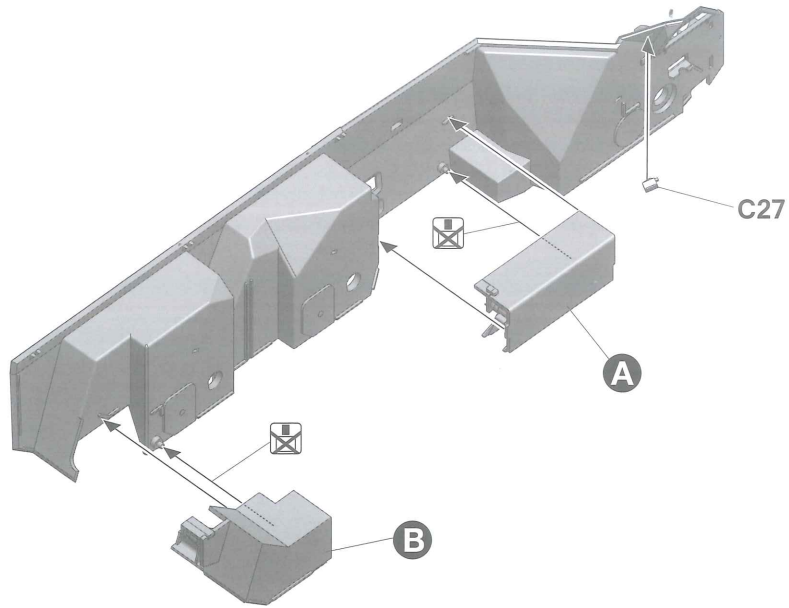
X6



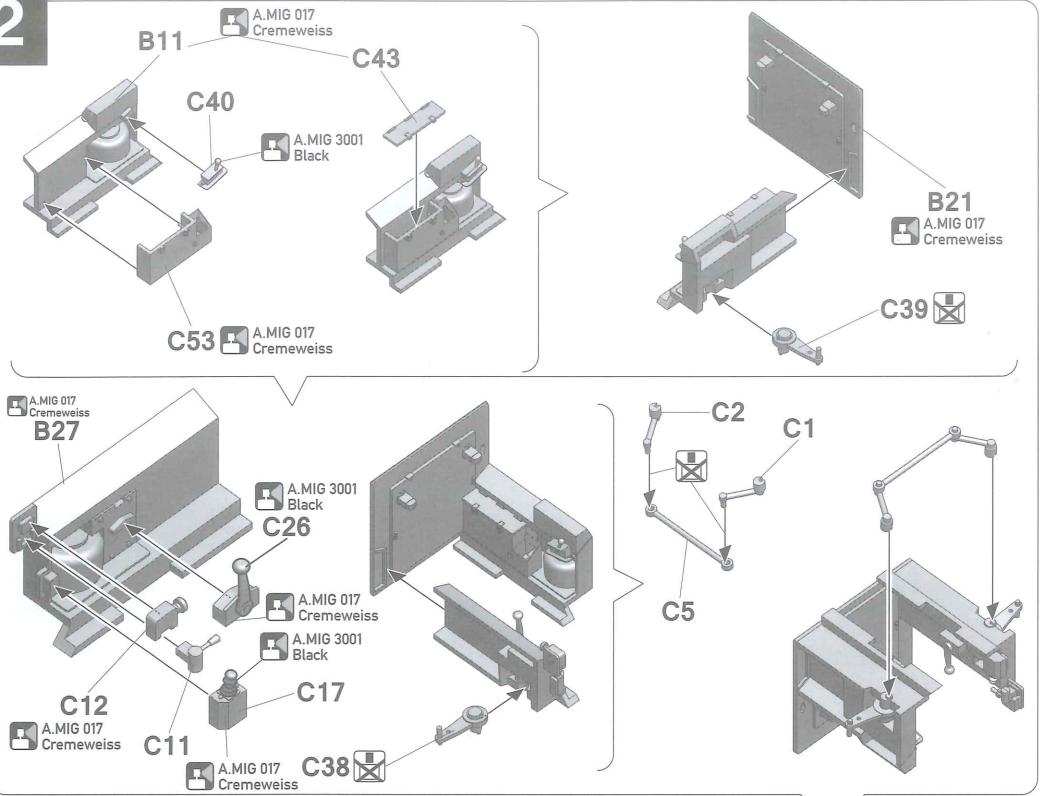
TP



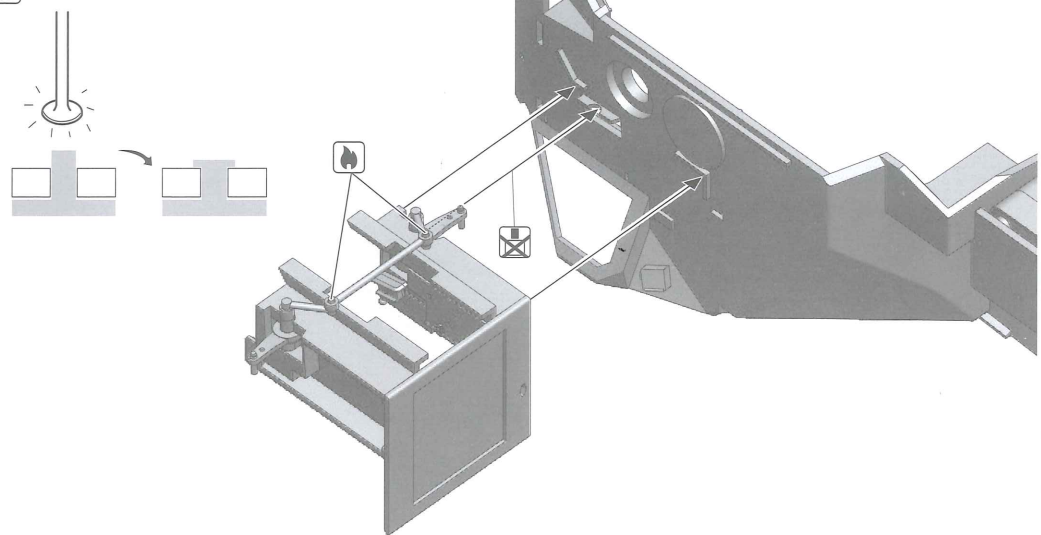
Decal



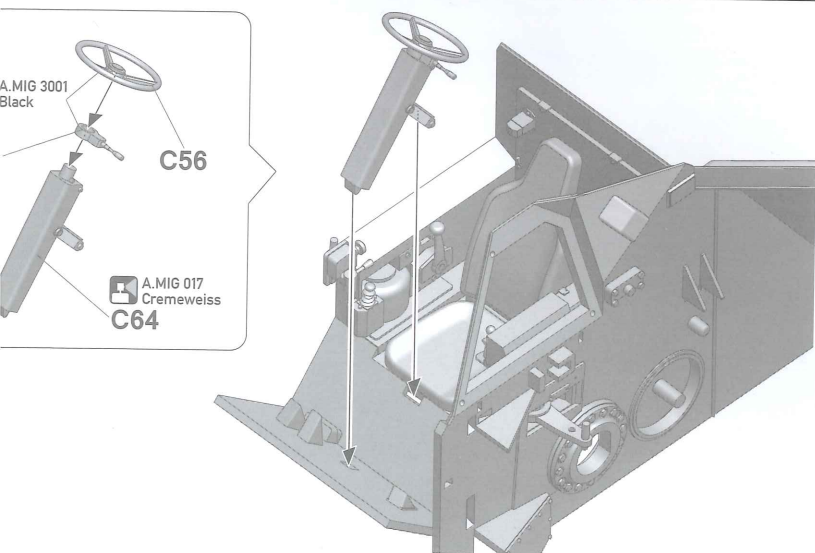
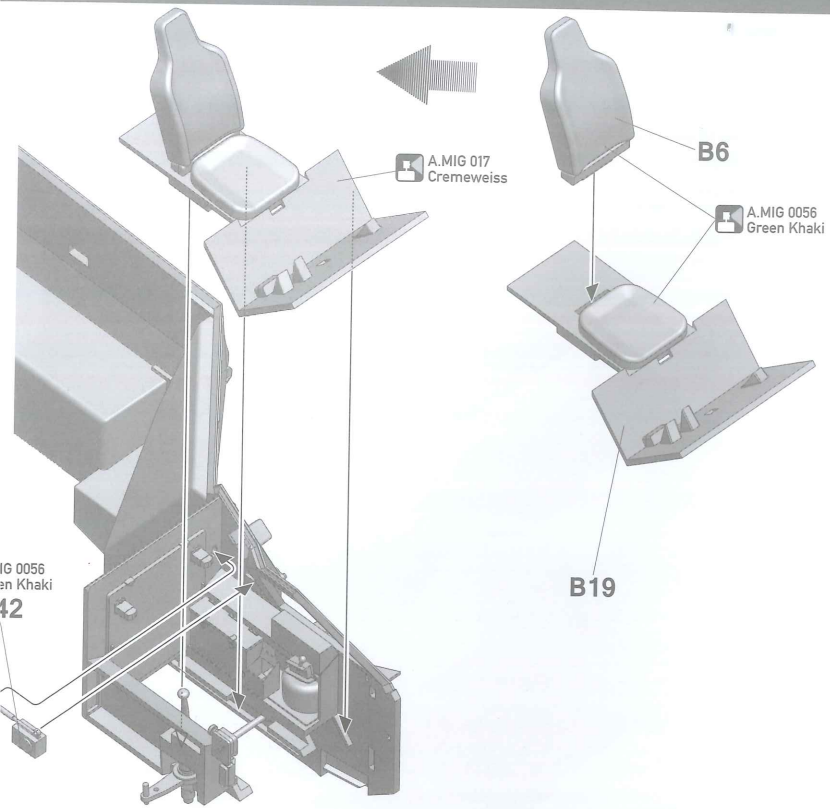
2



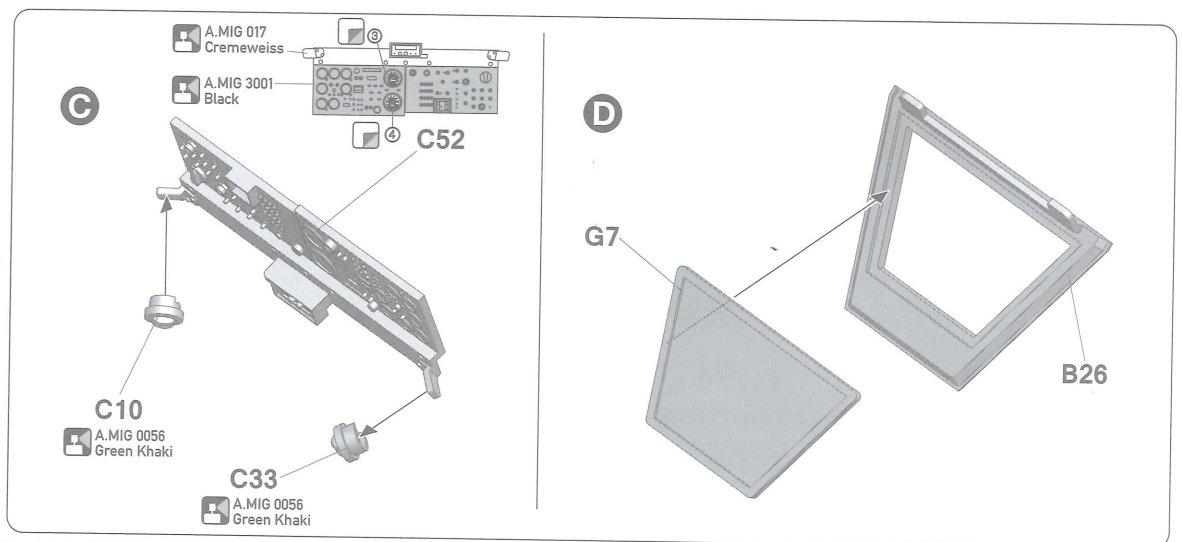
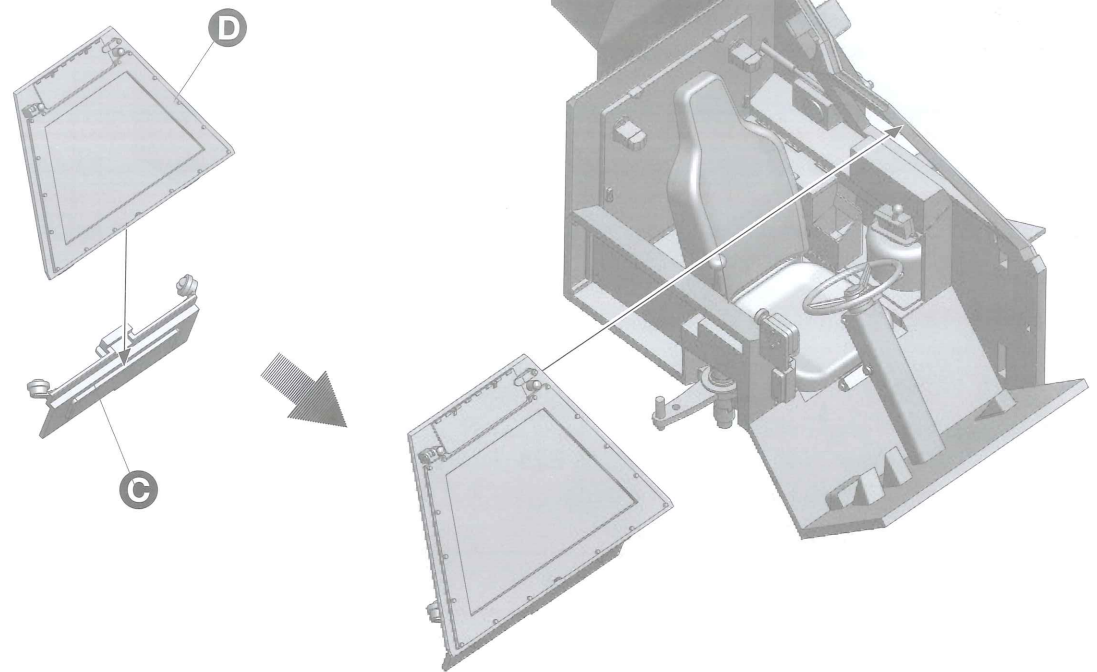
Flatten with a heated screw driver etc.



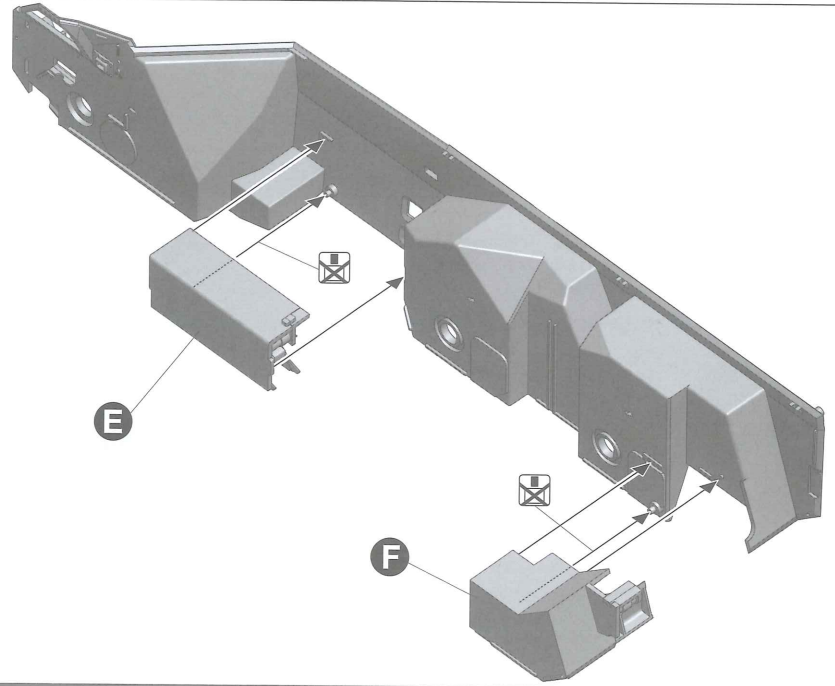
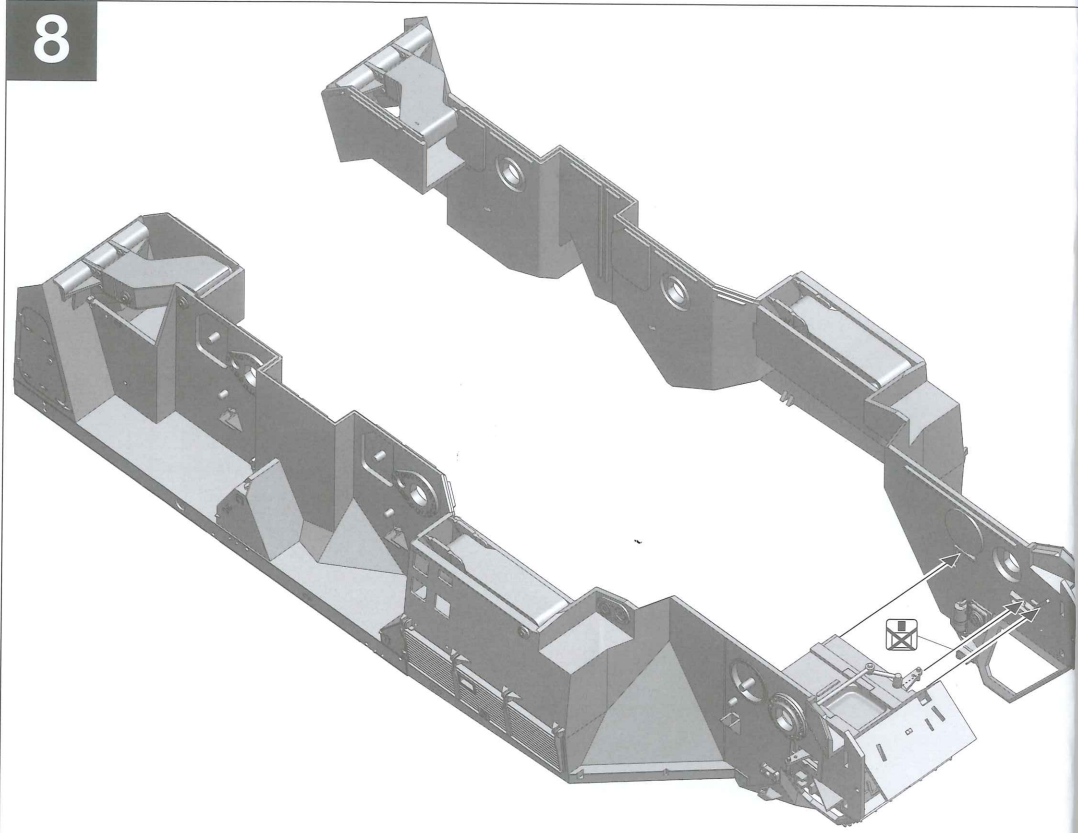
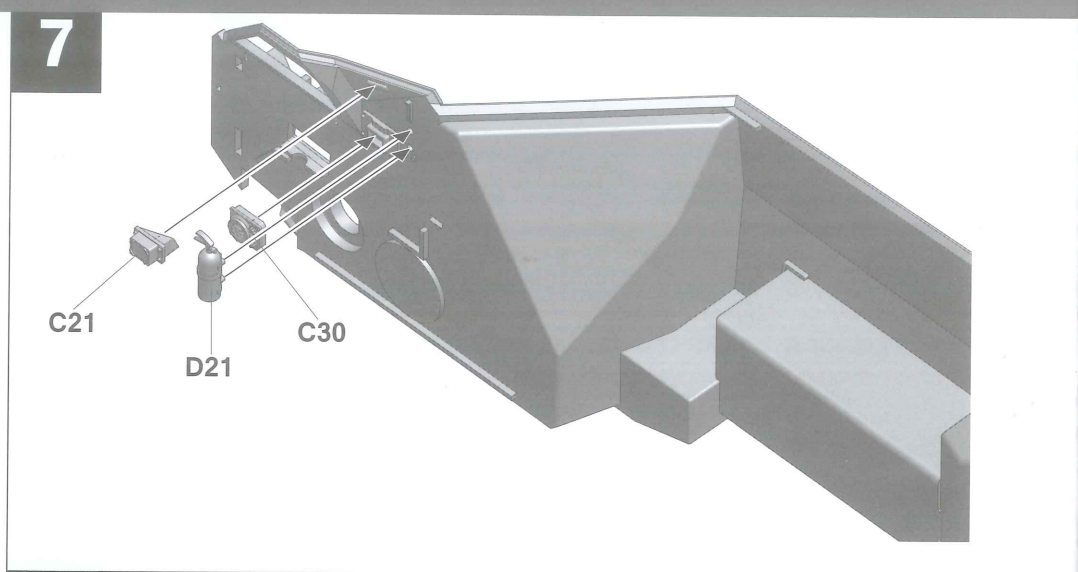
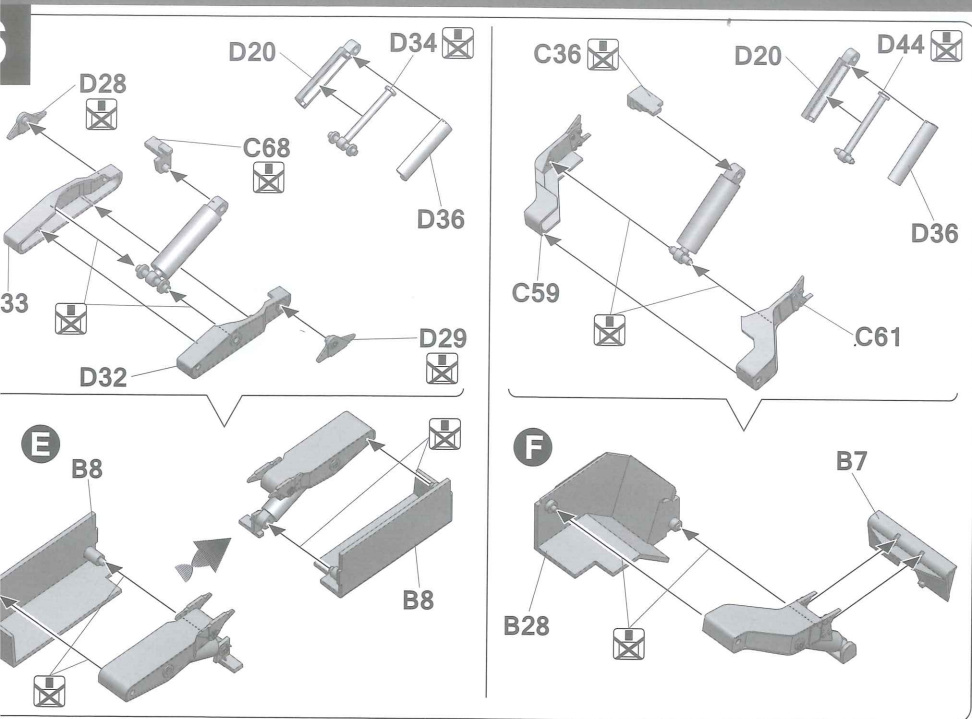
3

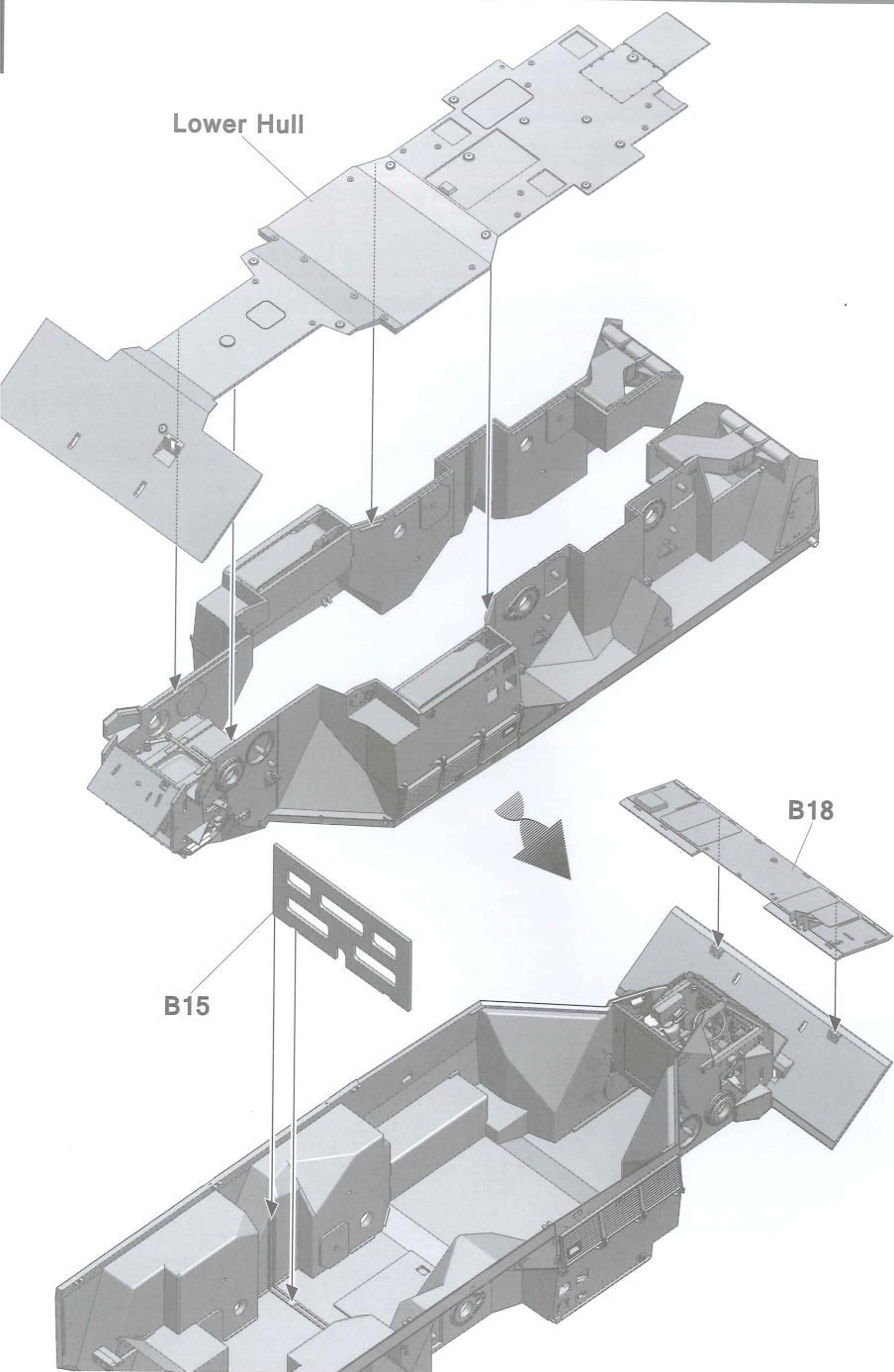


5

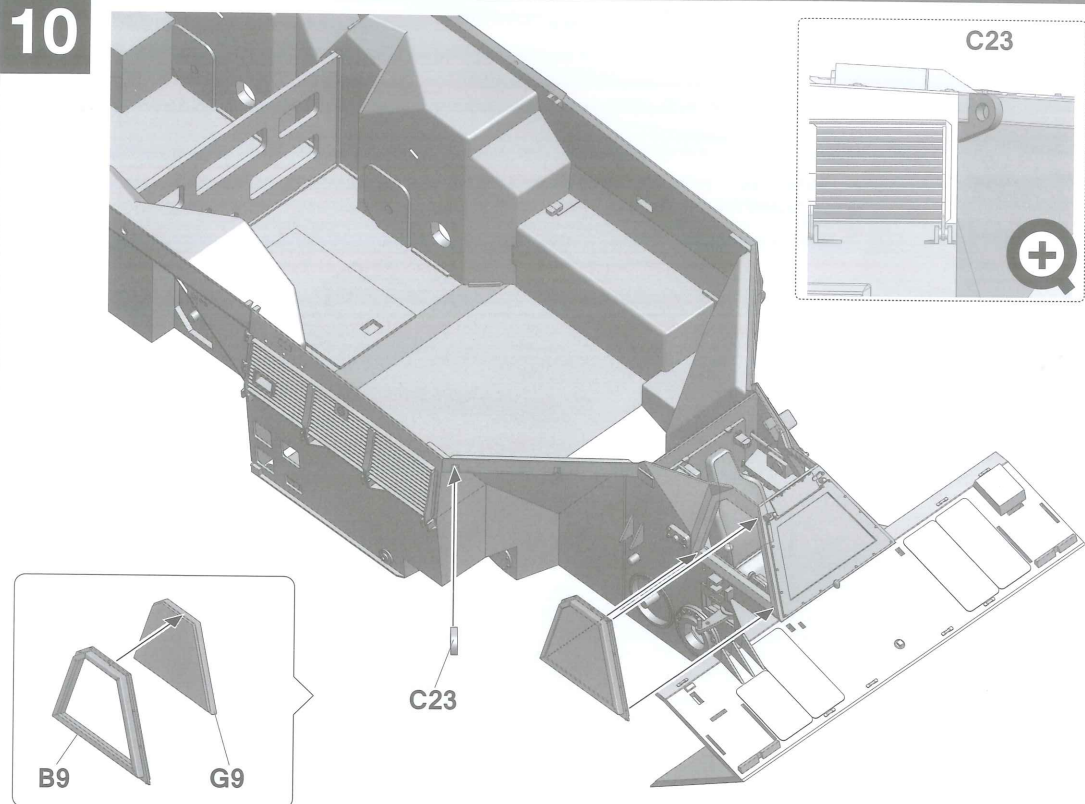


4

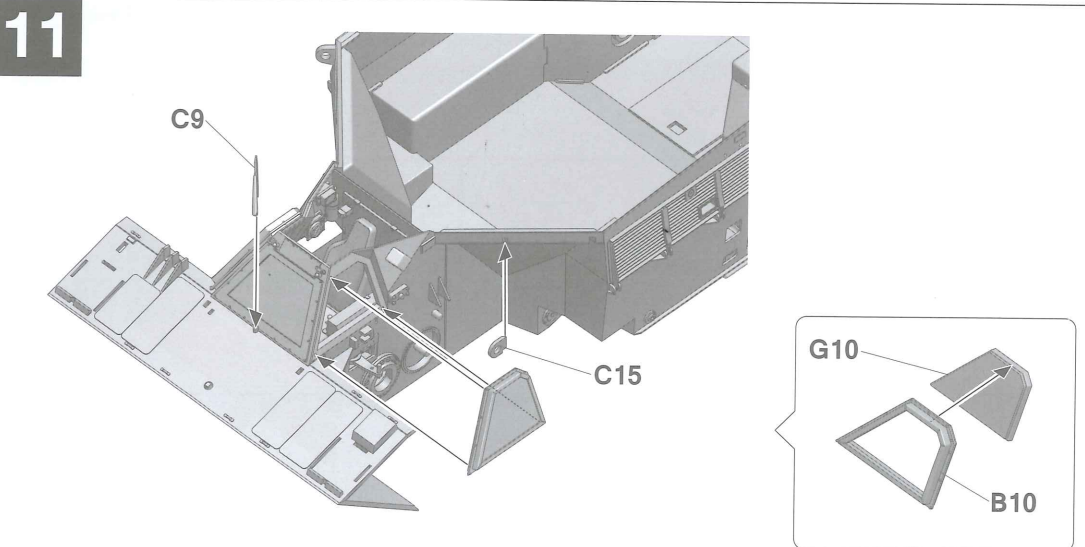




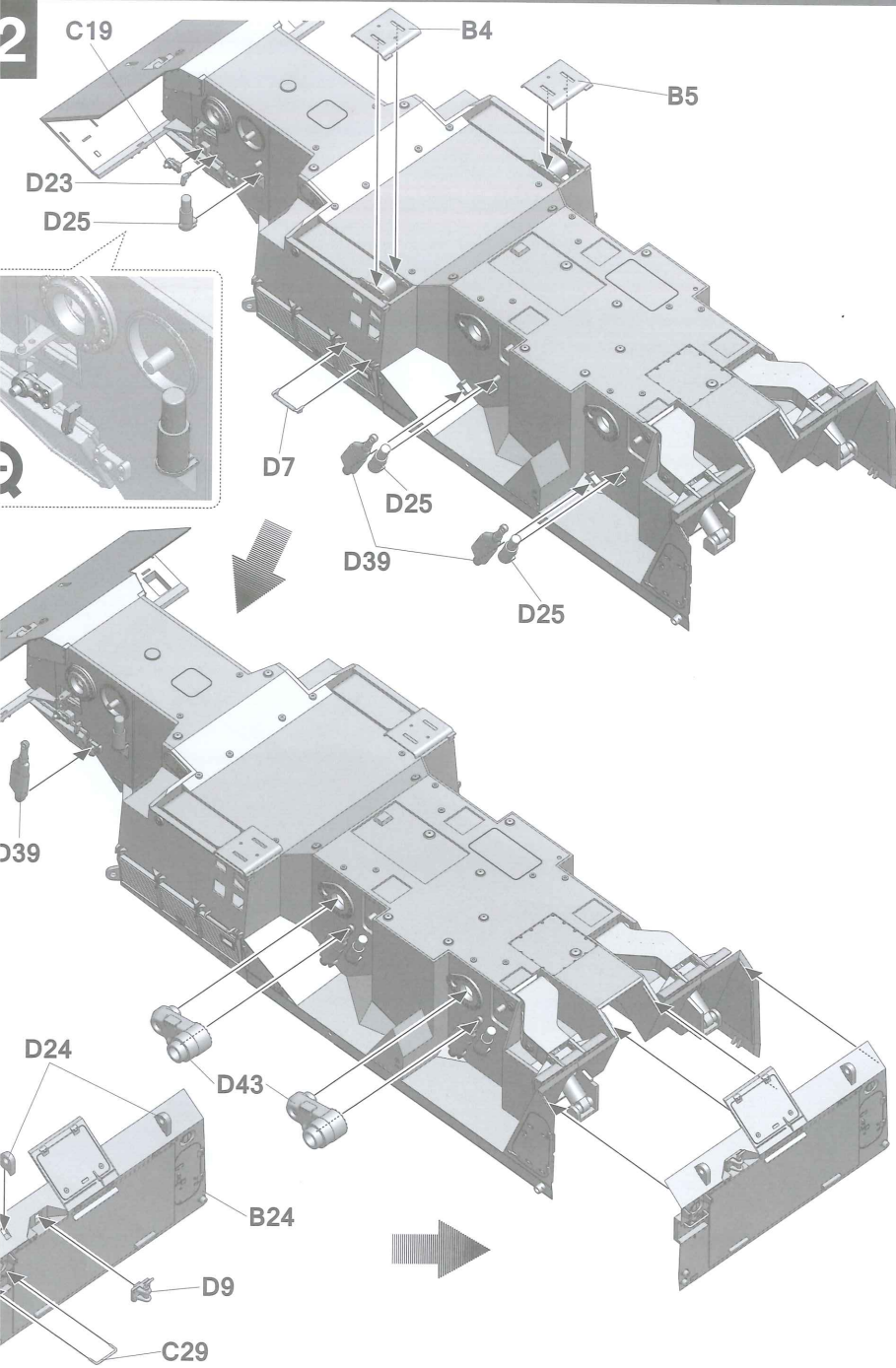
10



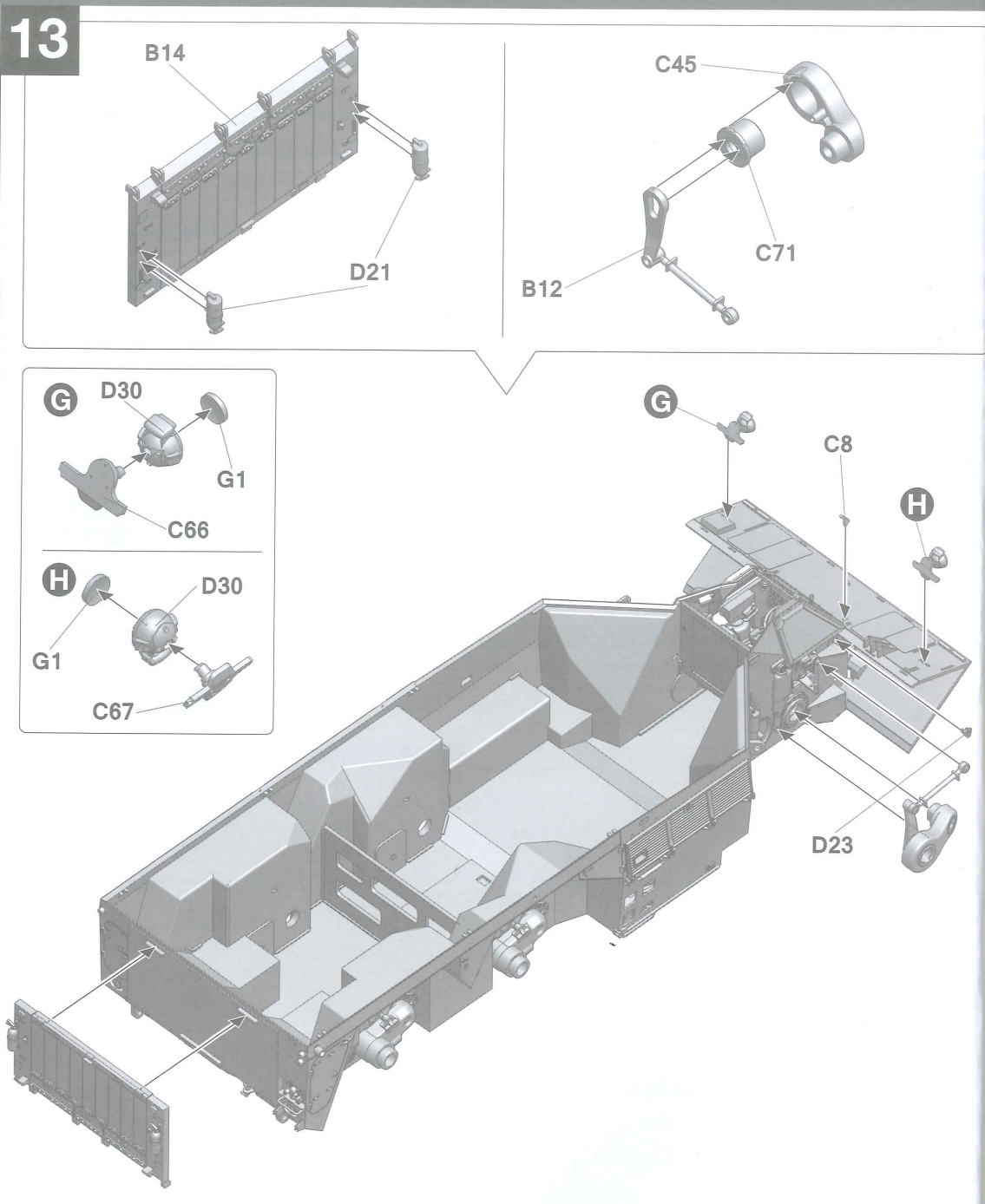
11

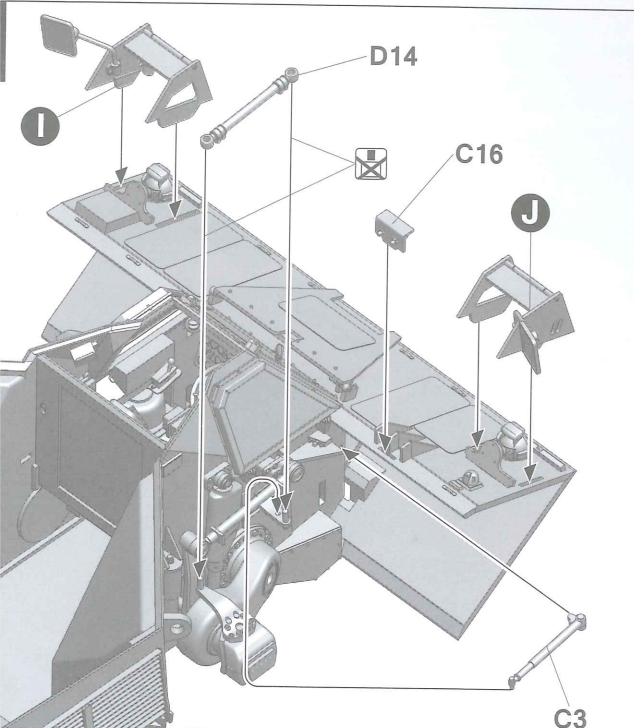
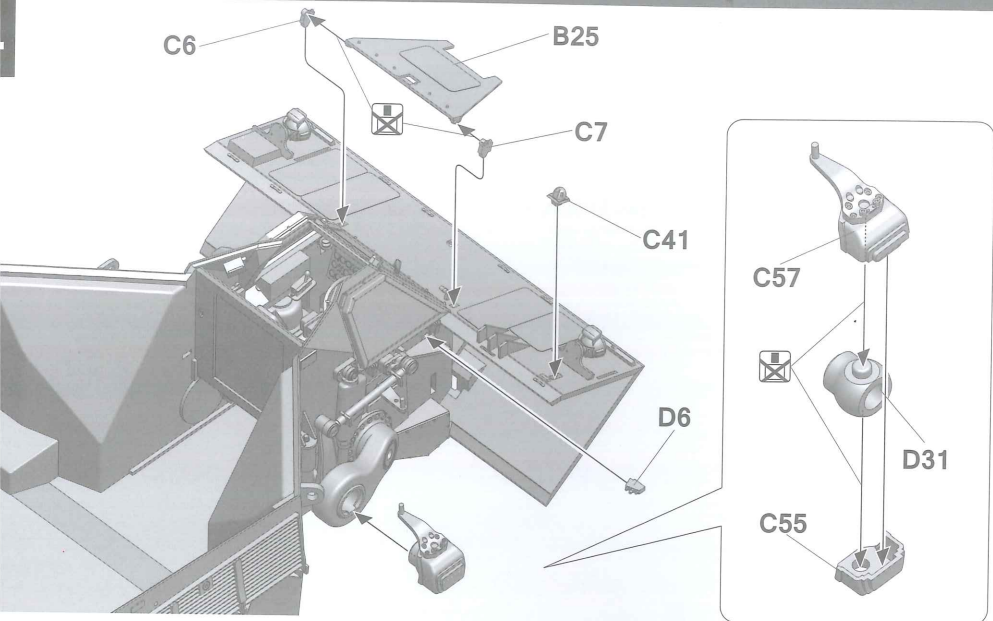


2

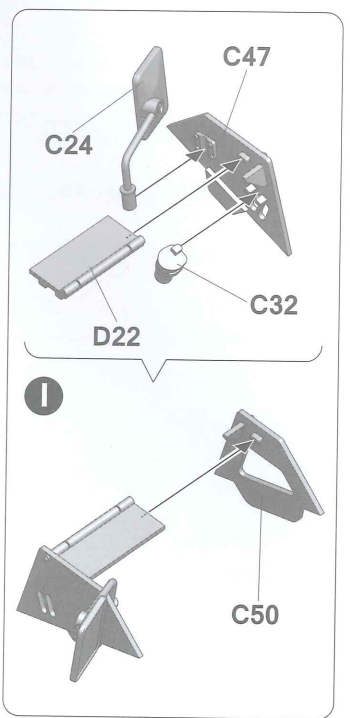


13



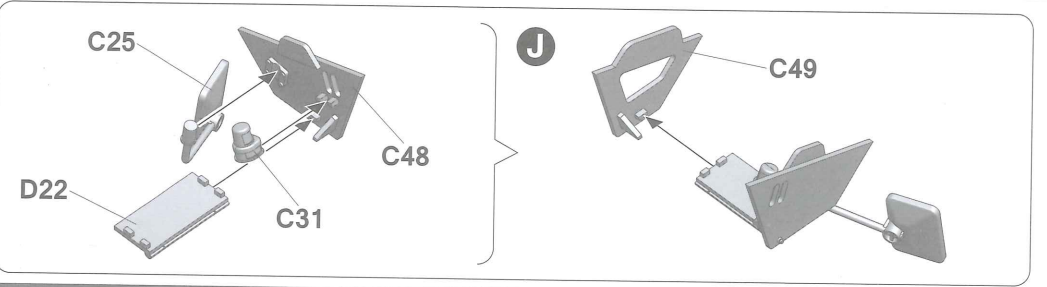
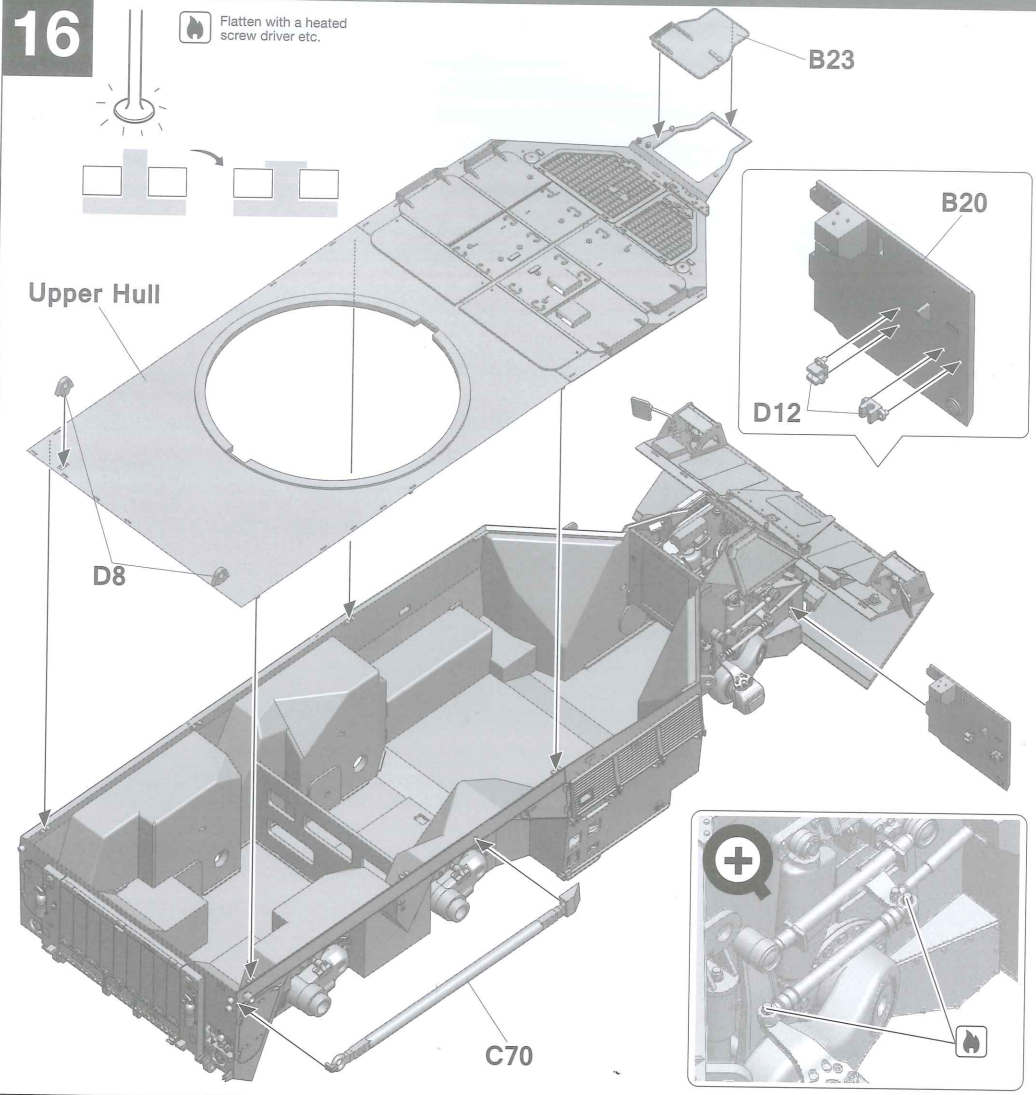


⚠ Please don't attach C3 if you want front wheel steering.

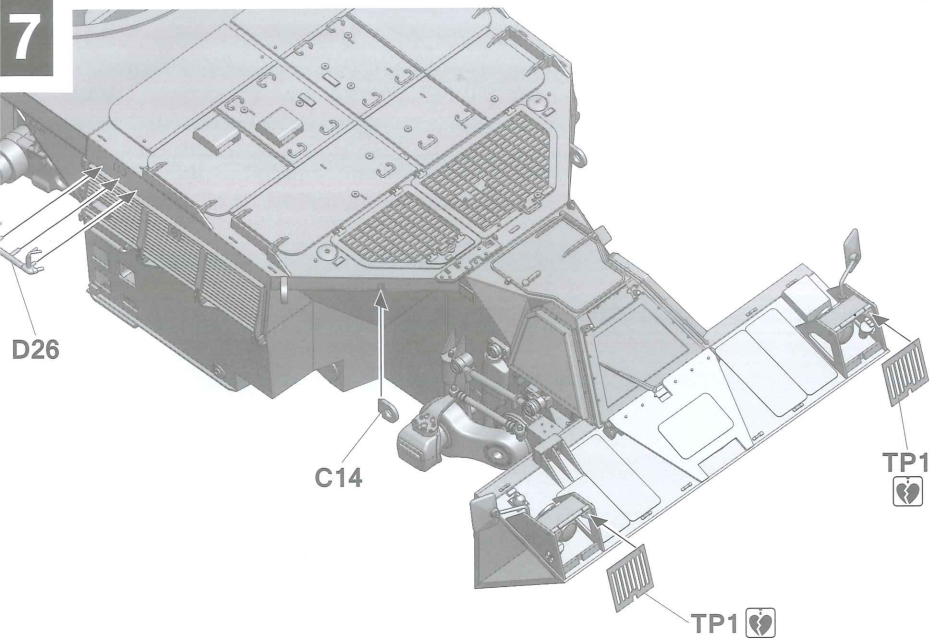


16

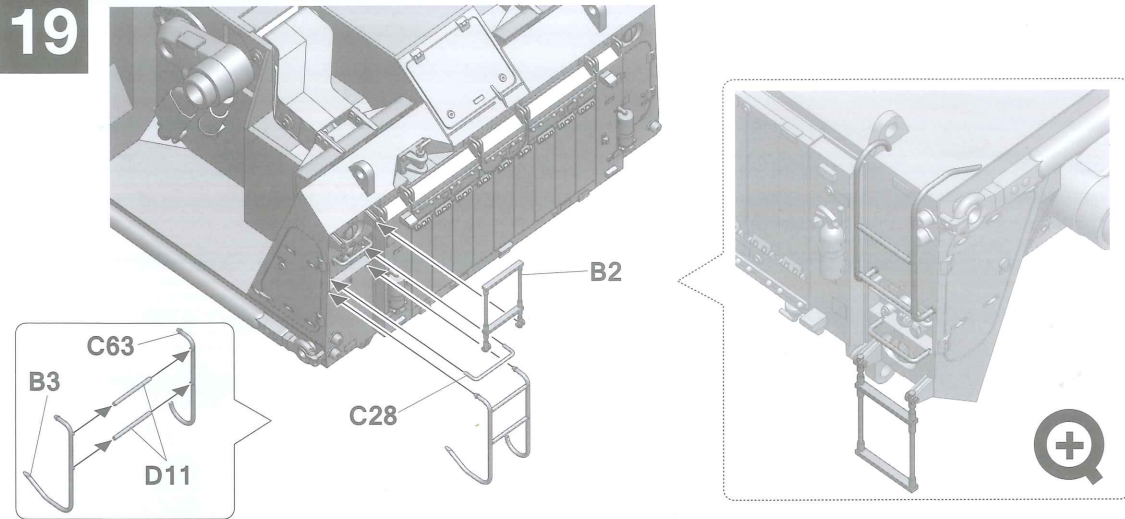
🔥 Flatten with a heated screw driver etc.



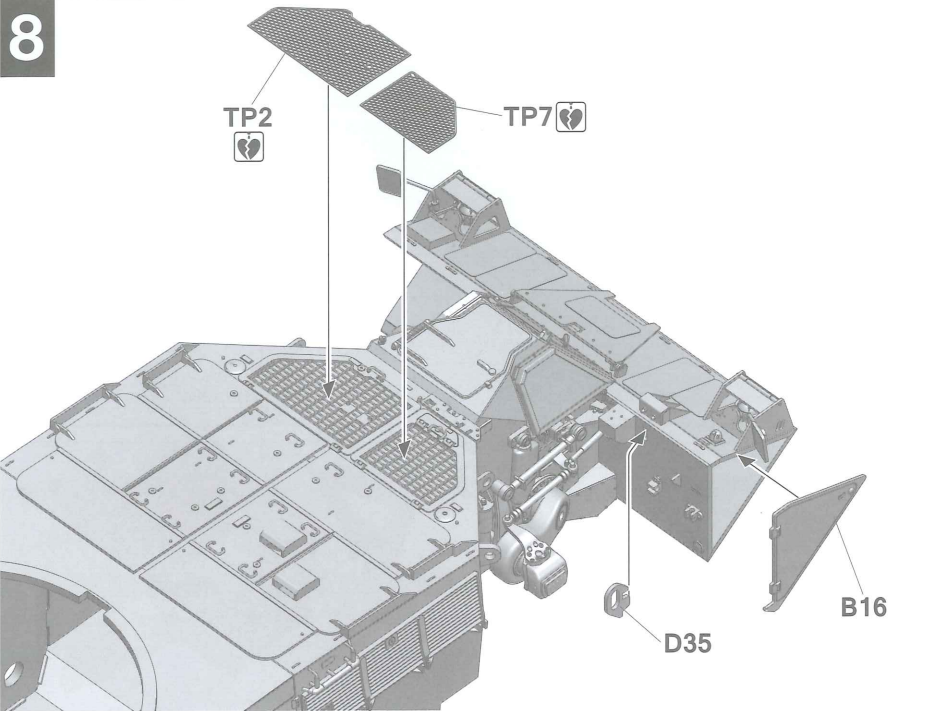
7



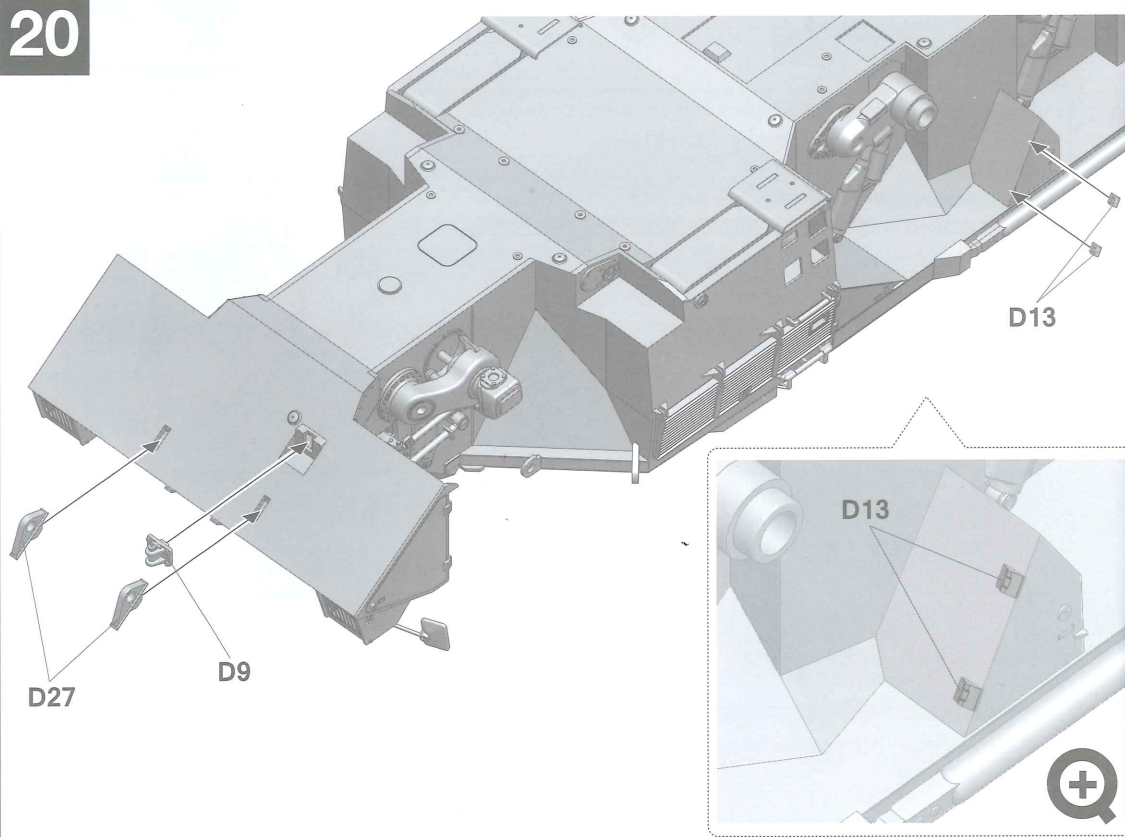
19

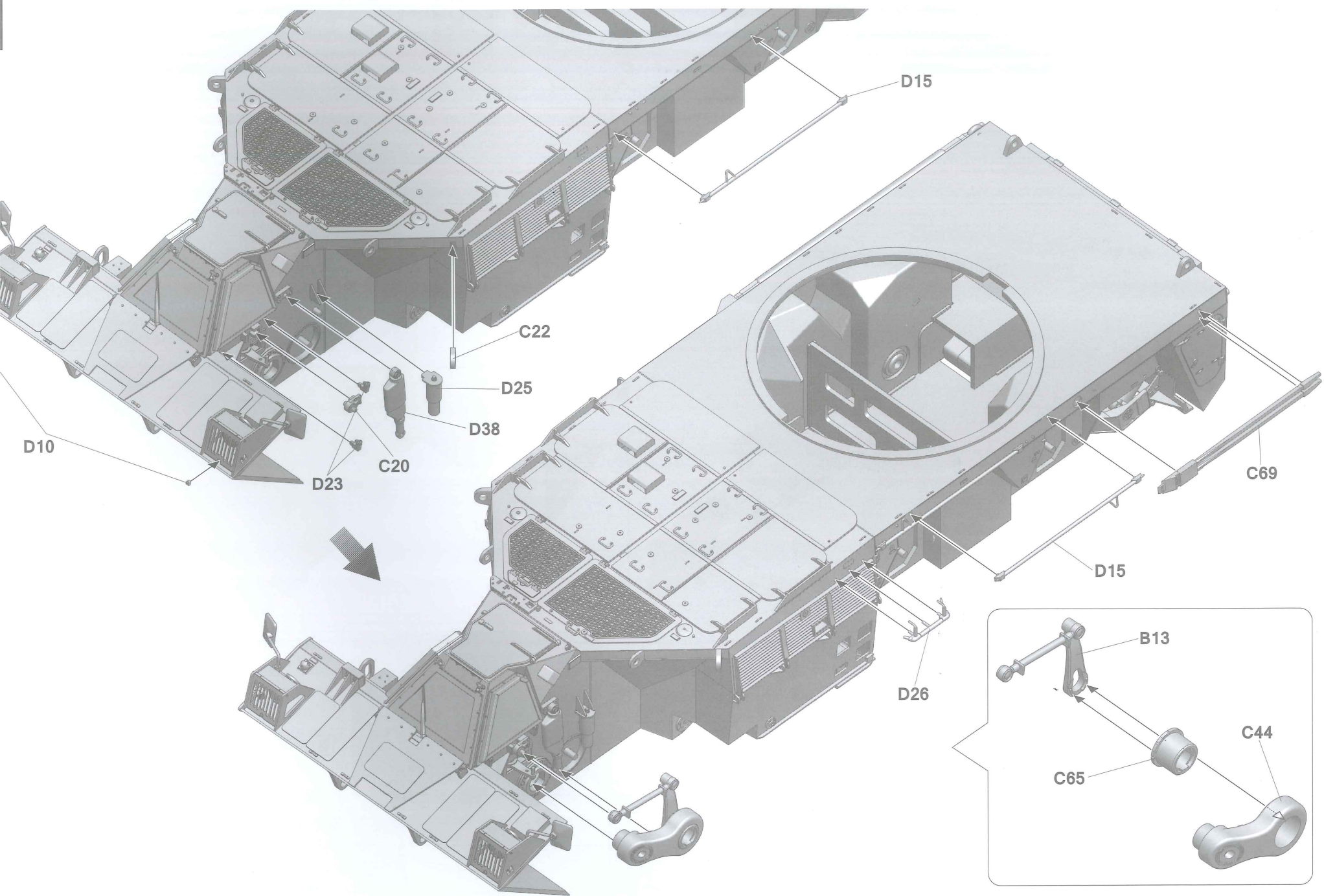


8

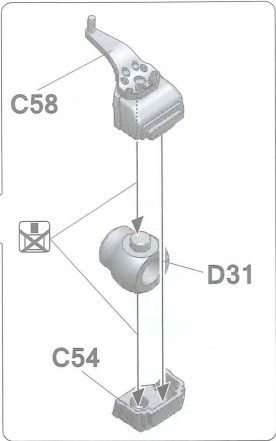
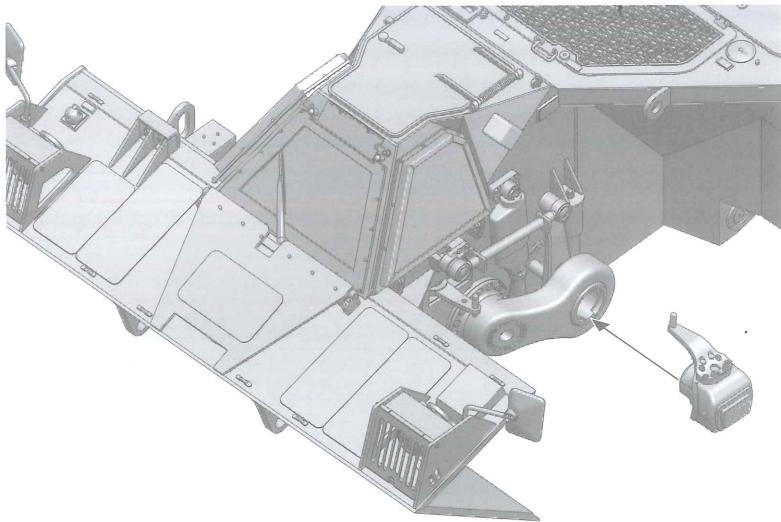


20



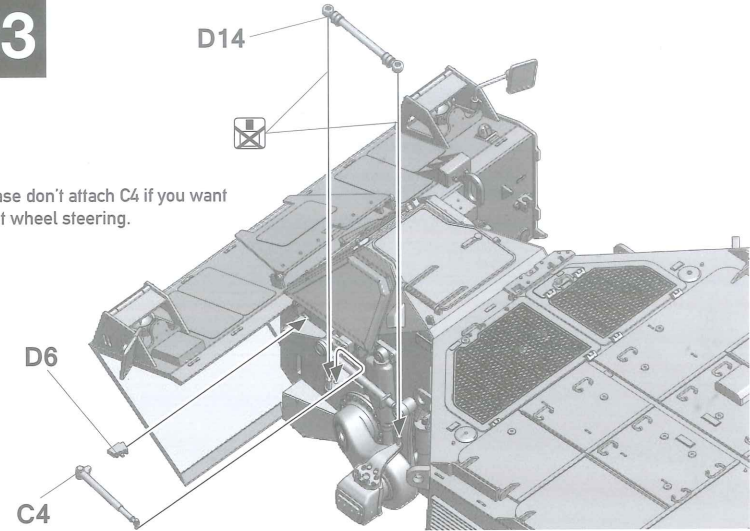


22

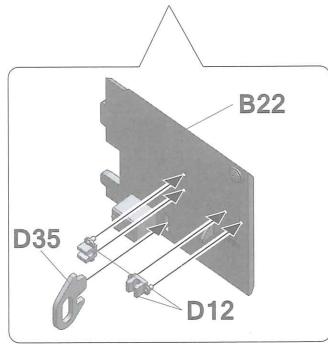
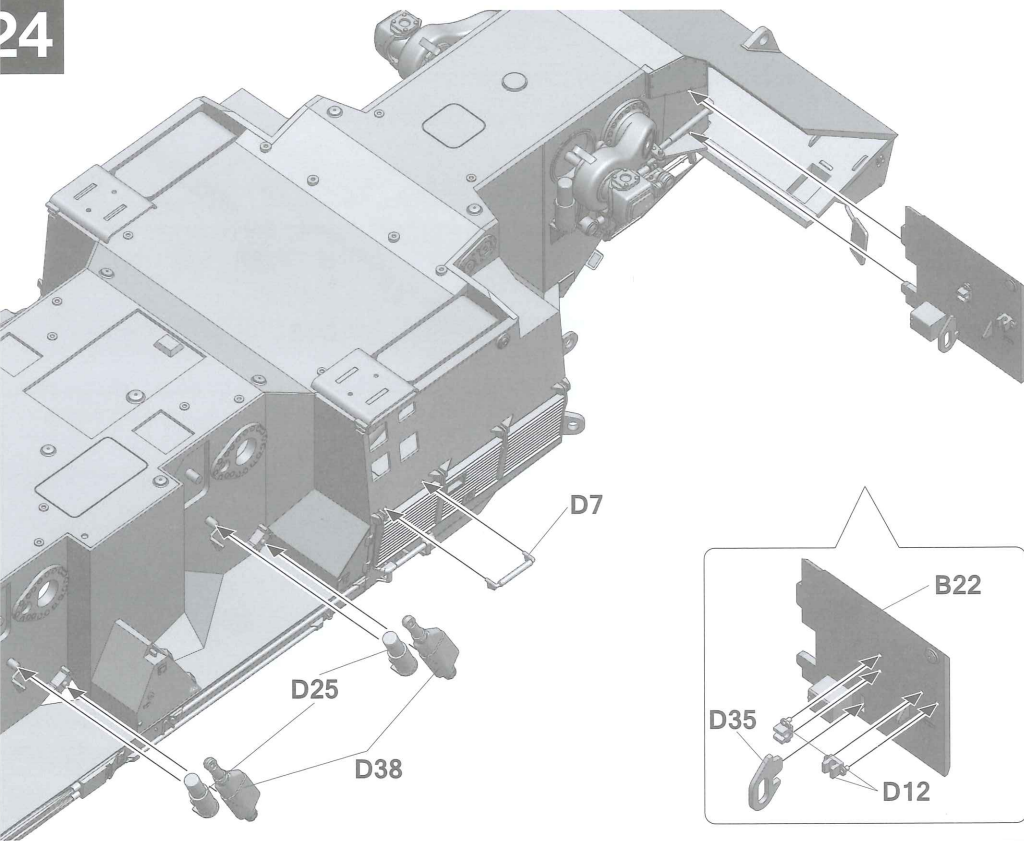


23

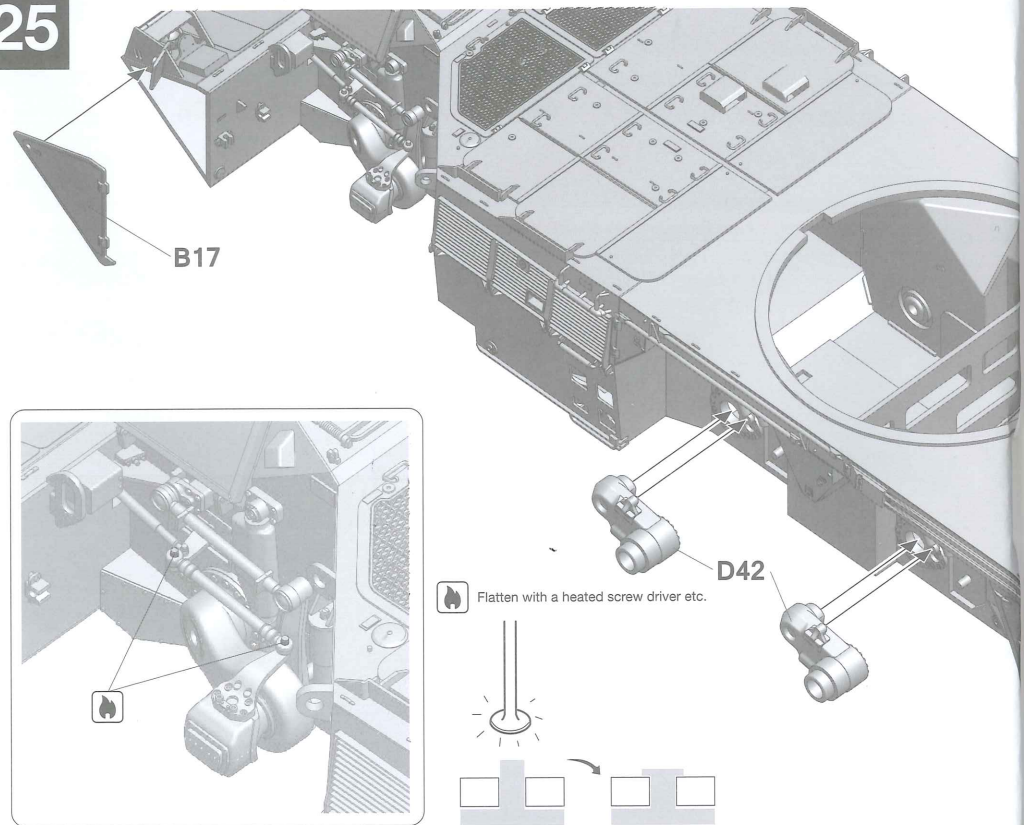
⚠ Please don't attach C4 if you want front wheel steering.

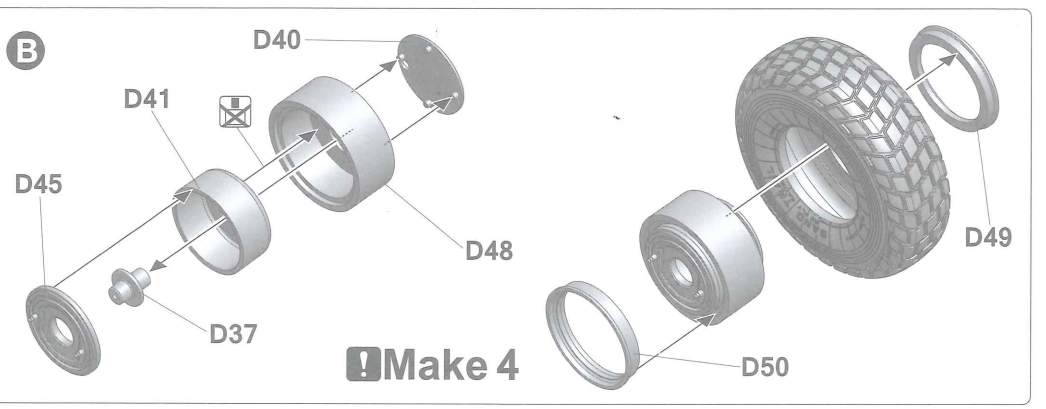
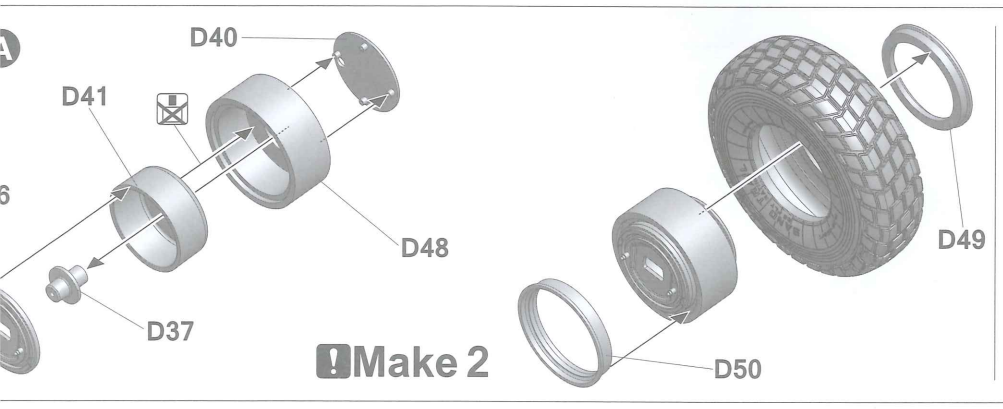
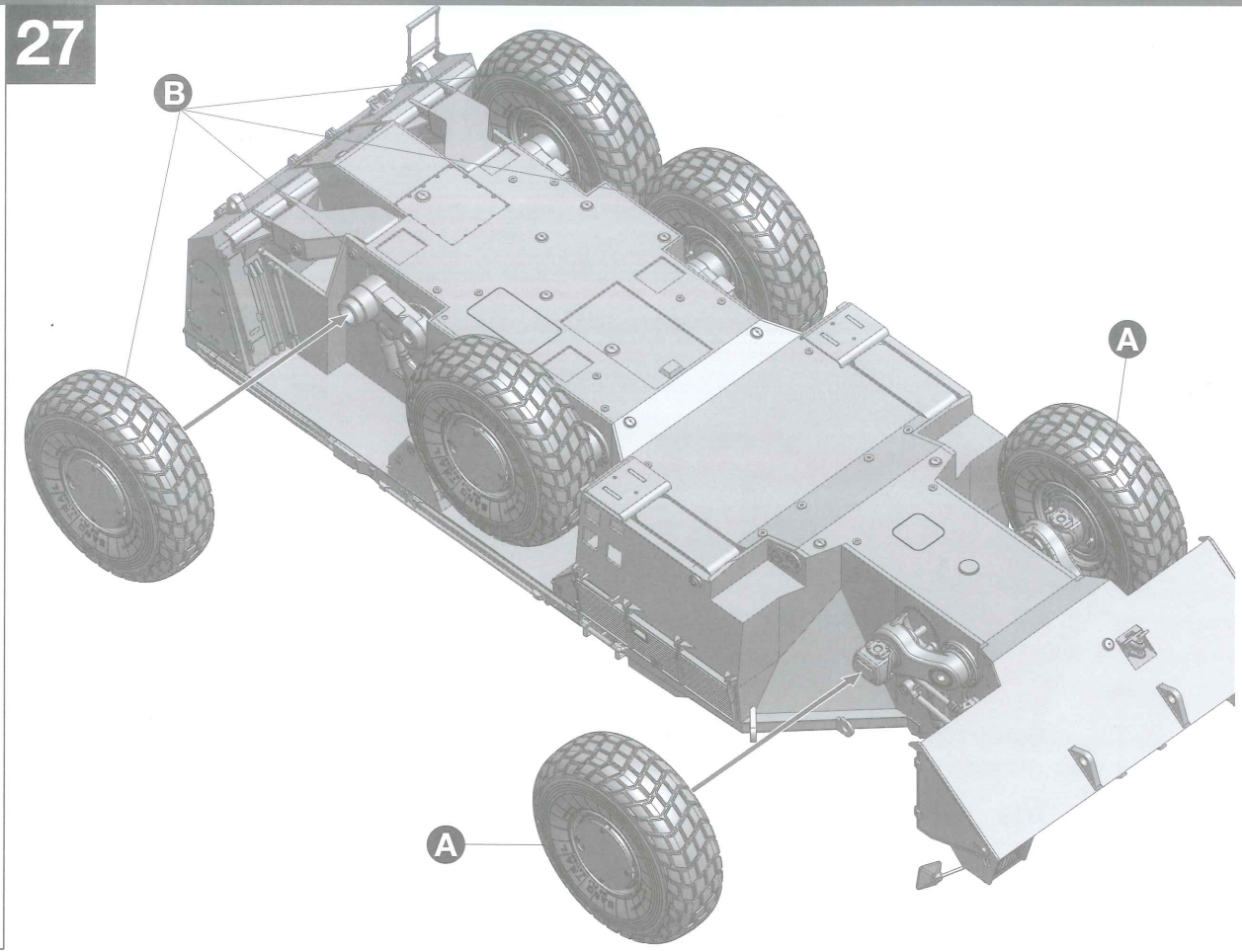
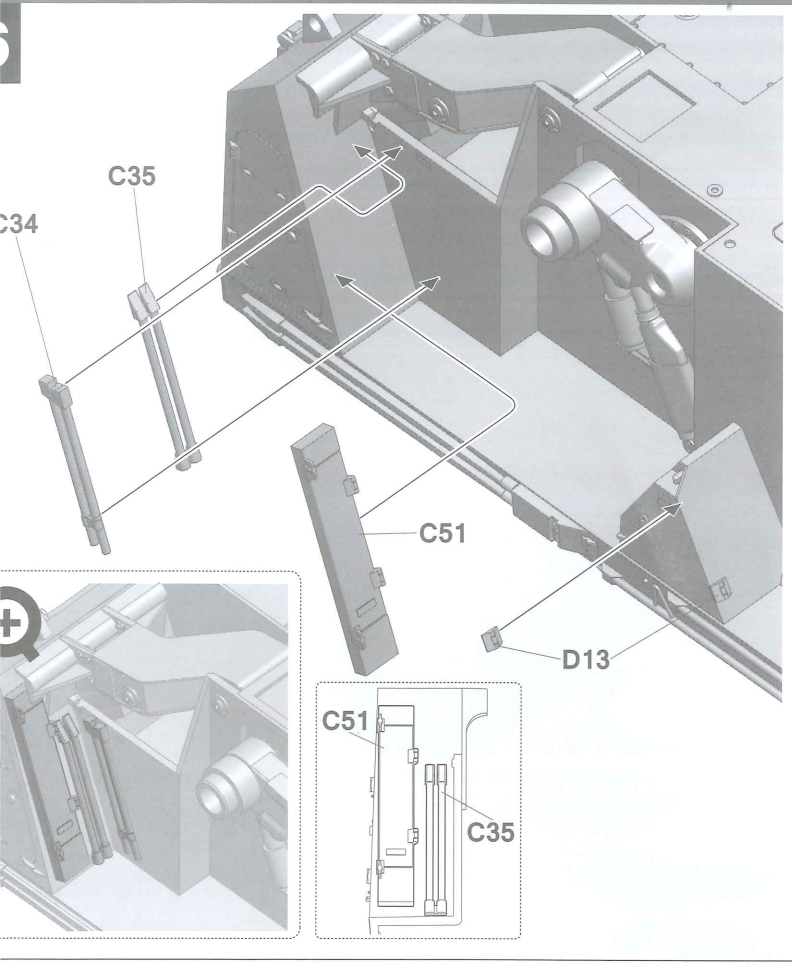


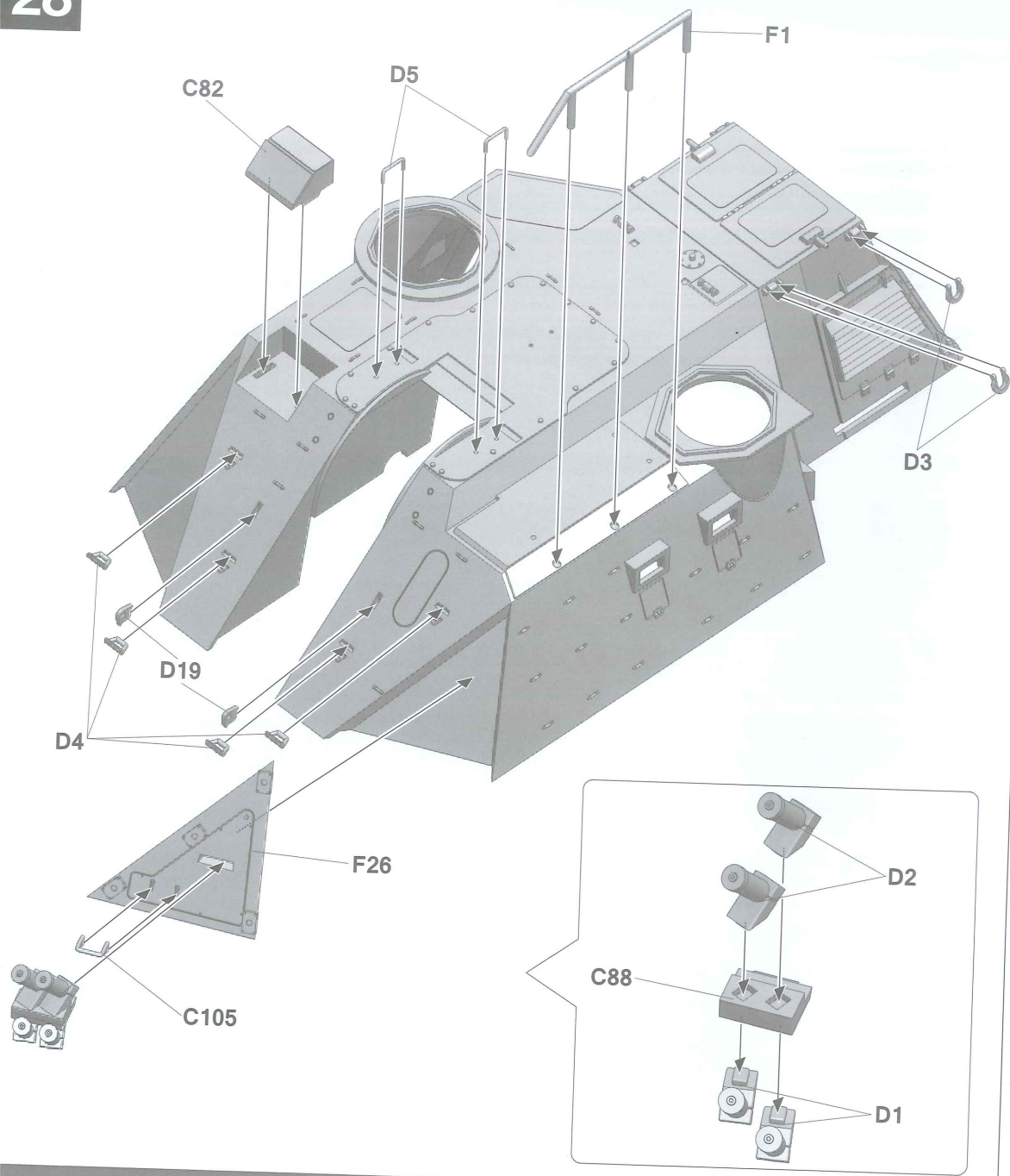
24



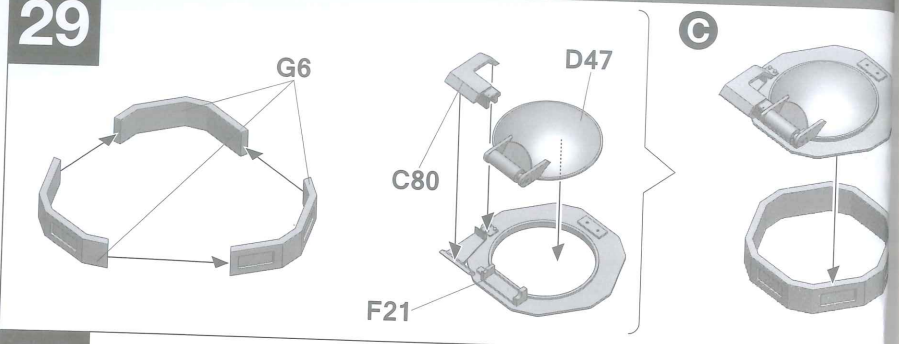
25



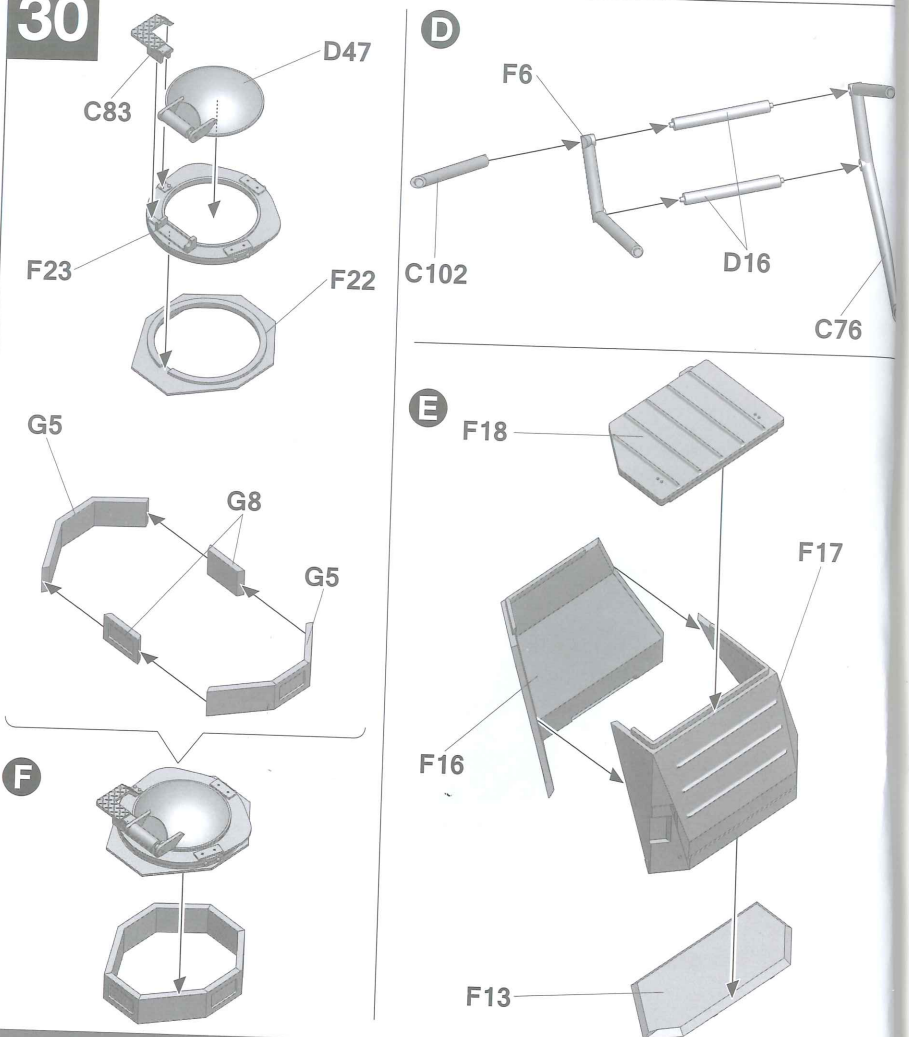


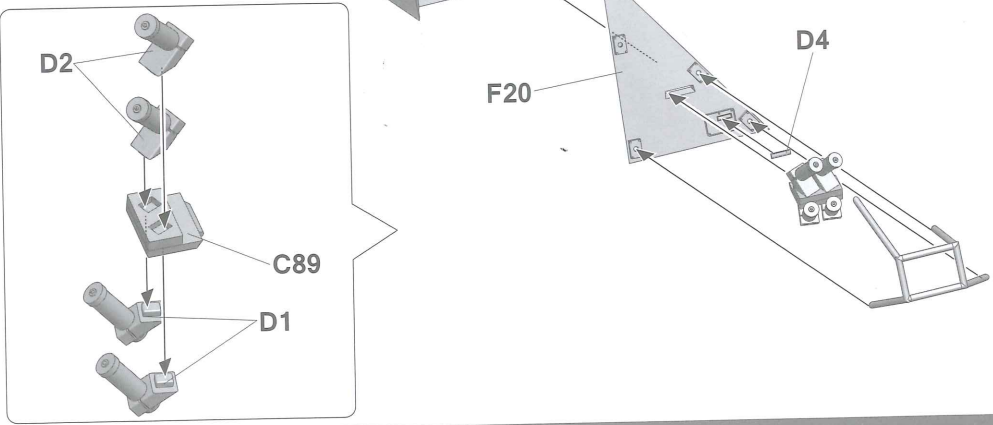
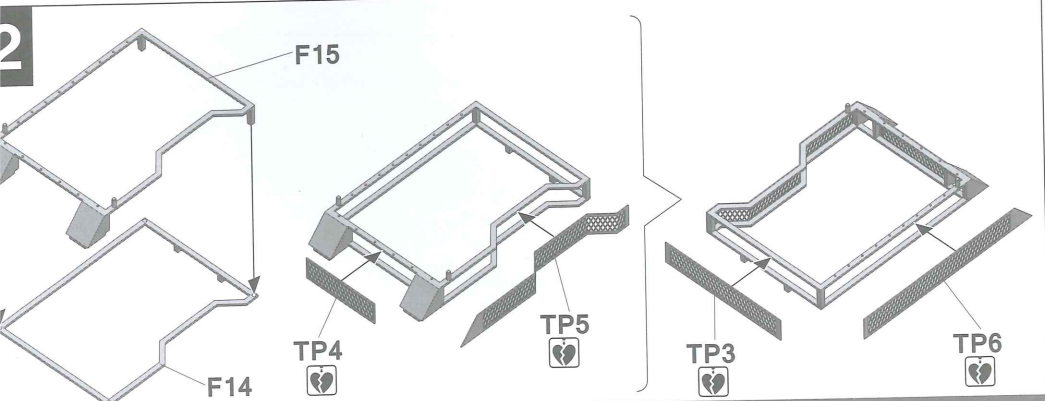
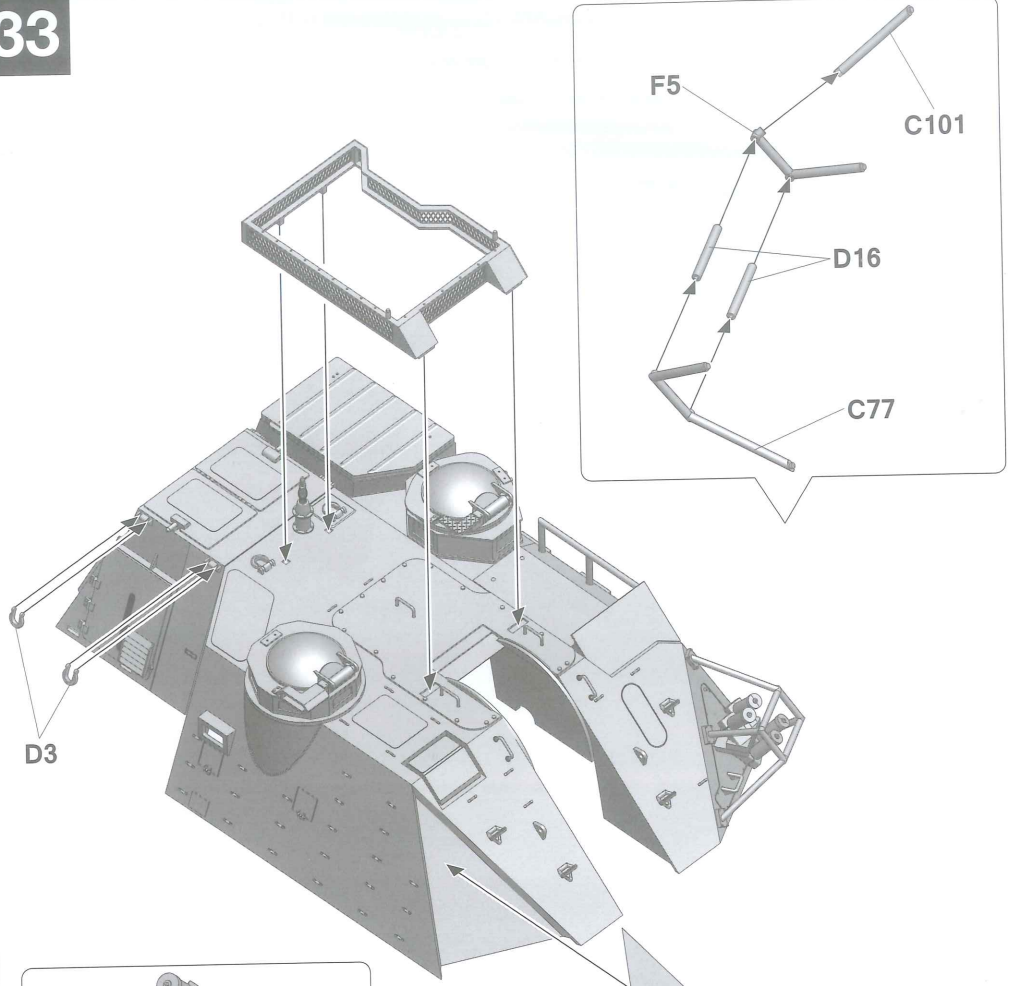
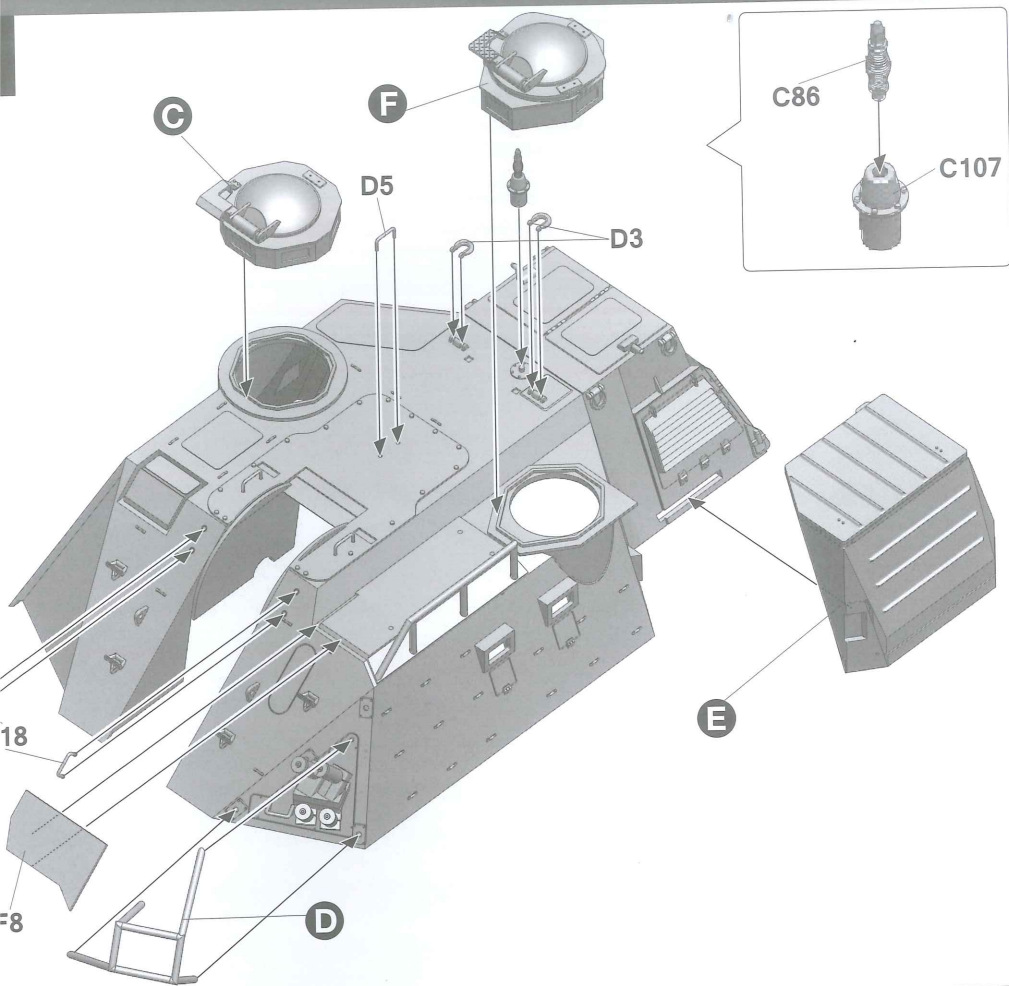


29

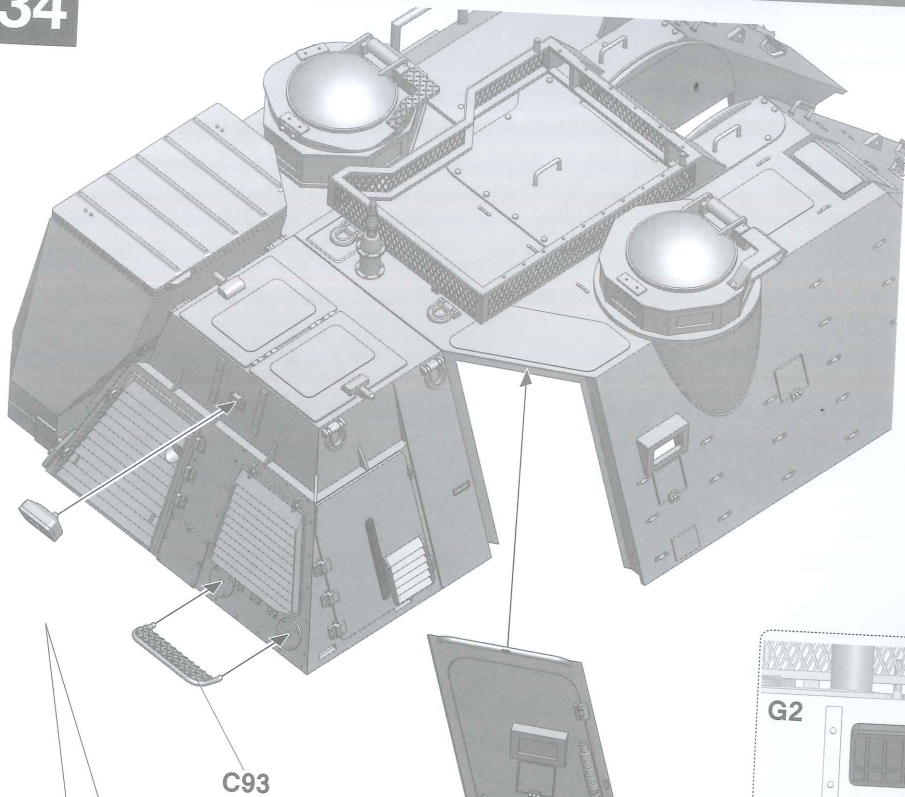


30





34



C93

G2

C96

F12

G3

C85

D5

C104

C97

C103

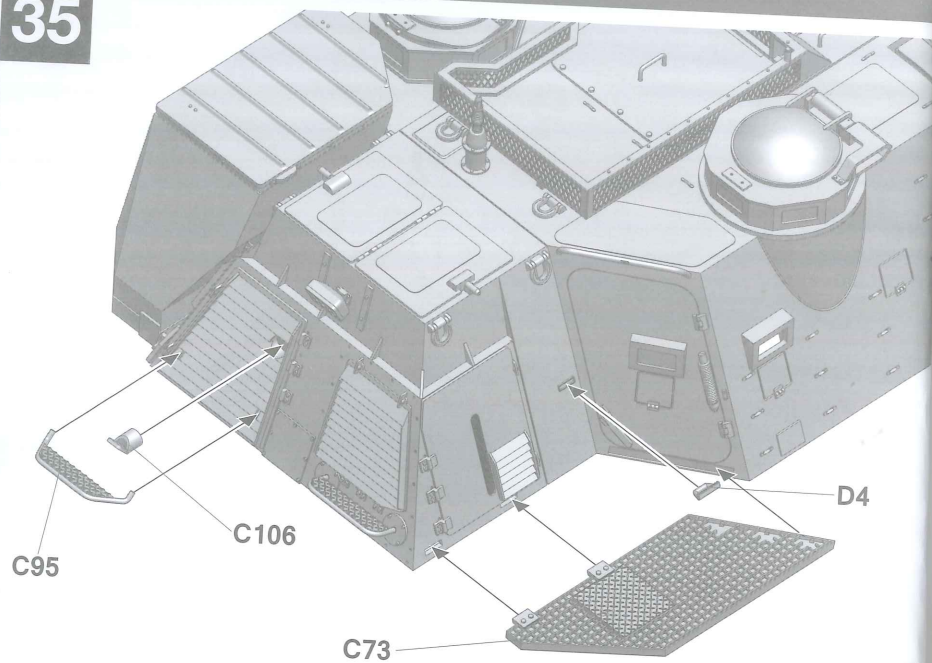
C87

F25

G2



35



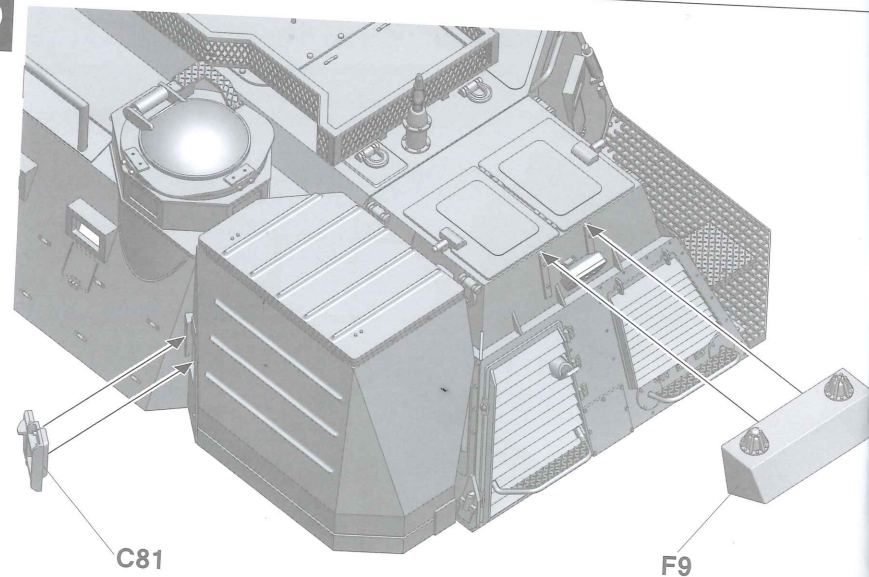
C95

C106

D4

C73

36



C81

F9

15

11

