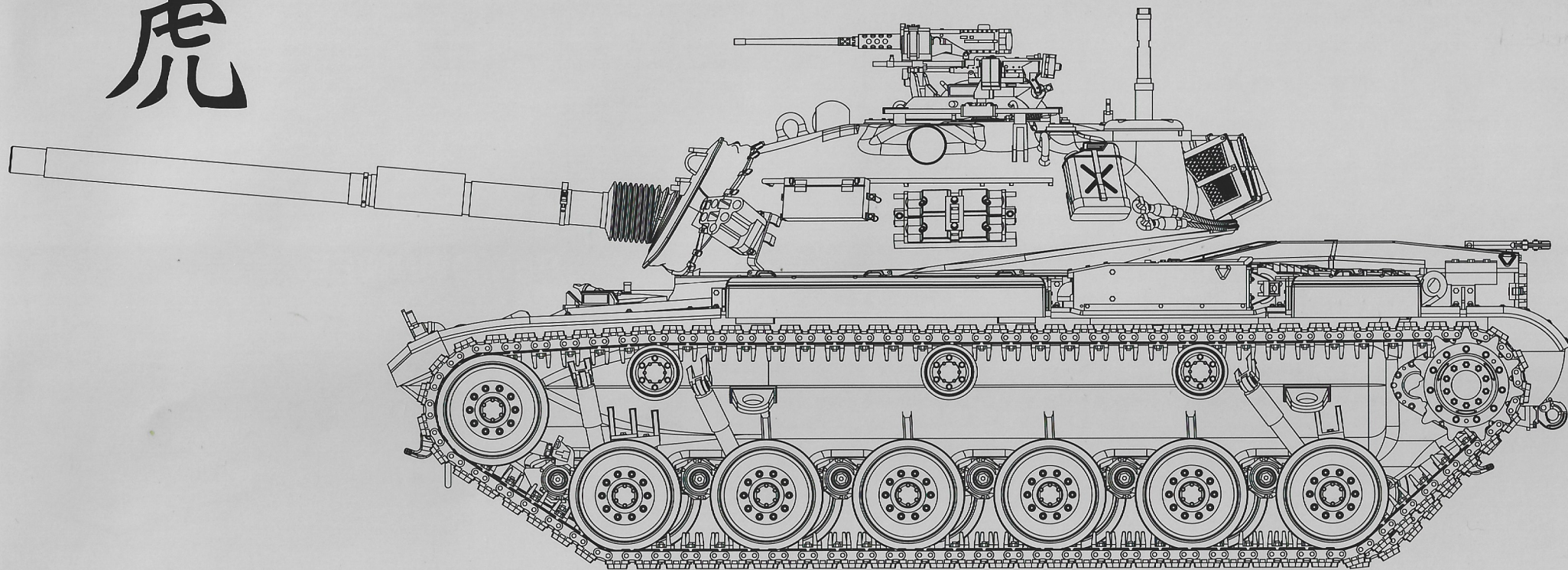


勇虎

R.O.C.ARMY MAIN BATTLE TANK

CM-11 (M-48H) Brave Tiger



二次世界大戰後期緬甸戰場開始，中華民國陸軍裝甲部隊多使用美式裝甲車輛。直到八零年代末期，美國軍援主力戰車M-48雖然裝備有昇級，但已經無法應付未來戰力的需求。1984年，陸軍戰車發展中心與美國通用動力公司(General Dynamic)合作研發第二代主力戰車，名為CM-11勇虎戰車。

CM-11，是中華民國陸軍研發的第一型戰車，又稱M-48H，H代表混合(Hybrid)，是用美造M-60A3戰車底盤搭配現有的M-48砲塔，並昇級主砲和射控系統的特別版車輛。總共生產數輛為450輛，九零年代起服役至今日，是台灣第一線的主力戰車。

與M-48/M-60 Patton 巴頓戰車系列主要差異除外觀上砲塔和車底盤的組合外，把主砲昇級為美造M-68A1 105mm，配合美式M1A1同等級火砲射擊控制系統，熱顯像儀，雷射測距儀等大幅提昇關瞄能力，性能超越M-60A3。

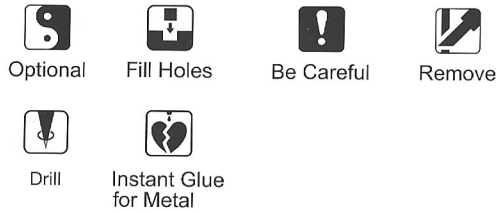
砲塔上車長塔使用以色列研發的URDAN車長塔，並加裝五零對空機槍，裝填手側配置半環型自衛用通用機槍，砲塔前增設兩具煙幕彈發射器，後方增設大氣資料感測桿。為提高對反戰車武器的防護力，2000年代由中山科學研究院參考法式設計，研發出反應裝甲塊。

此裝備未大量生產，僅少數車輛有配備。

READ BEFORE ASSEMBLY

CAUTION

- Read carefully and fully understand the instructions before commencing assembly. A supervising adult should also read the instructions if a child assembles the model.
- When assembling this kit, tools including knives used. Extra care should be taken to avoid personal injury.
- Keep out of reach of small children. Children must not be allowed to suck any part, or pull vinyl bag over their heads.



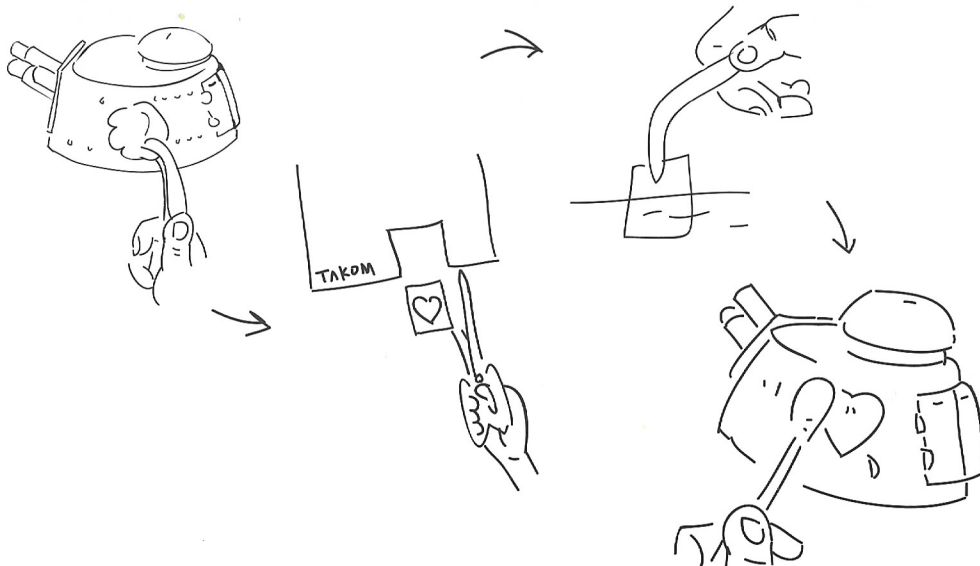
PAINTS REQUIRED

Color info and profiles by Mig Jimenez

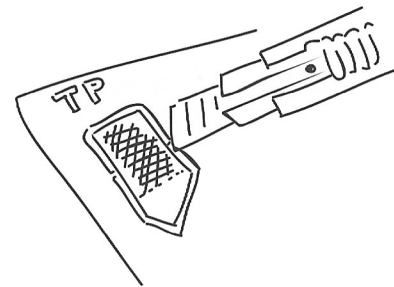
A.MIG 033	Rubber & Tires	A.MIG 035	Dark Tracks	A.MIG 042	Old Rust	A.MIG 094	Crystal Glass
A.MIG 045	Gun Metal	A.MIG 047	Satin White	A.MIG 076	Brown Soil	A.MIG 195	Silver
A.MIG 927	Olive Drab Light Base	A.MIG 046	Matt Black	A.MIG 065	Forest Green	A.MIG 095	Crystal Smoke
A.MIG 096	Crystal Periscope Green						

APPLYING DECALS

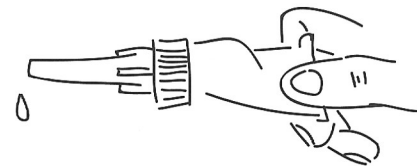
1. Clean the model surface with a wet cloth.
2. Cut out each decal design from sheet, and dip it in tepid water for 15~20 sec.
3. Hold the backing sheet edge and slide decal onto the model.
4. Move decal into position by wetting decal with finger.
5. Press decal gently down with a soft cloth until excess water and air bubbles are gone.



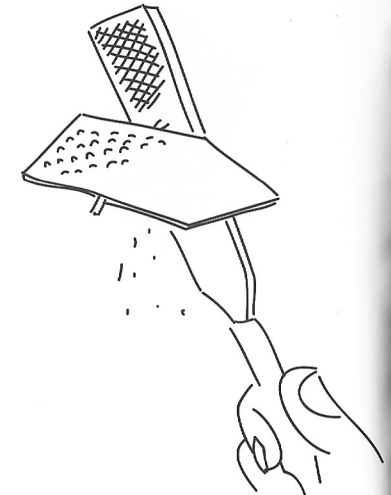
REMOVING PE



Be careful not to hurt when removing PE parts.

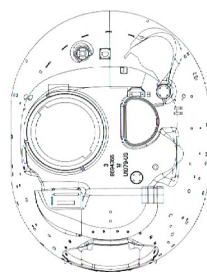
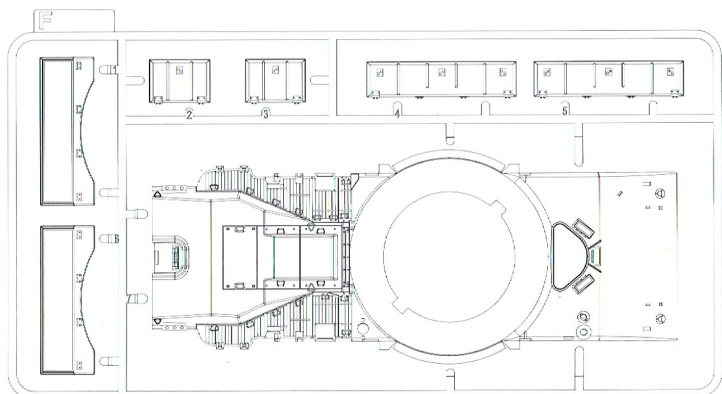
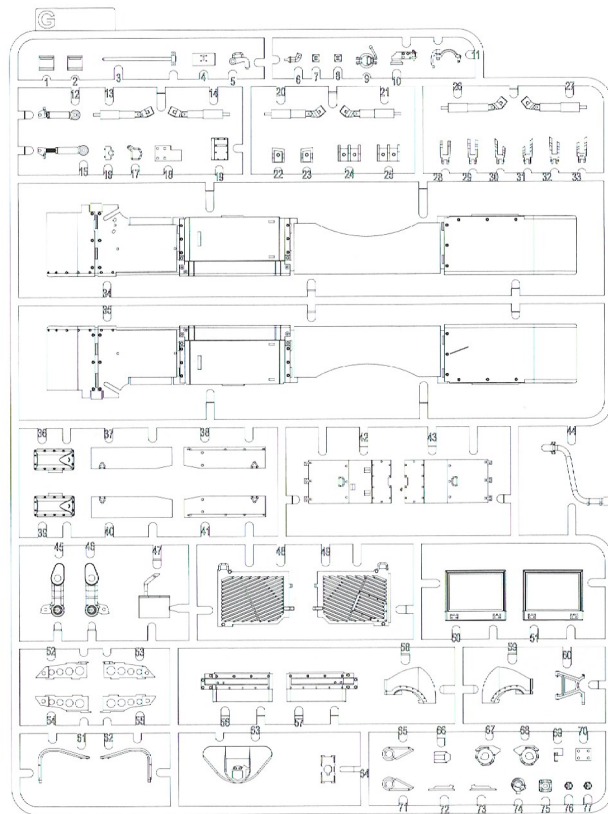
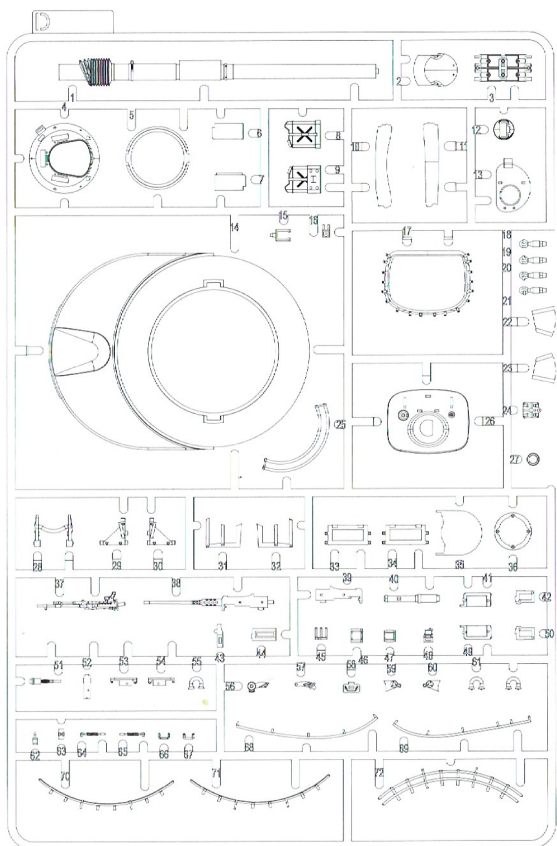


Secure using instant glue (not included).

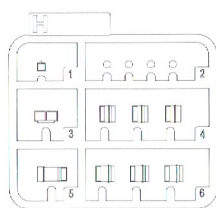


Finish using file.

PARTS



Turret

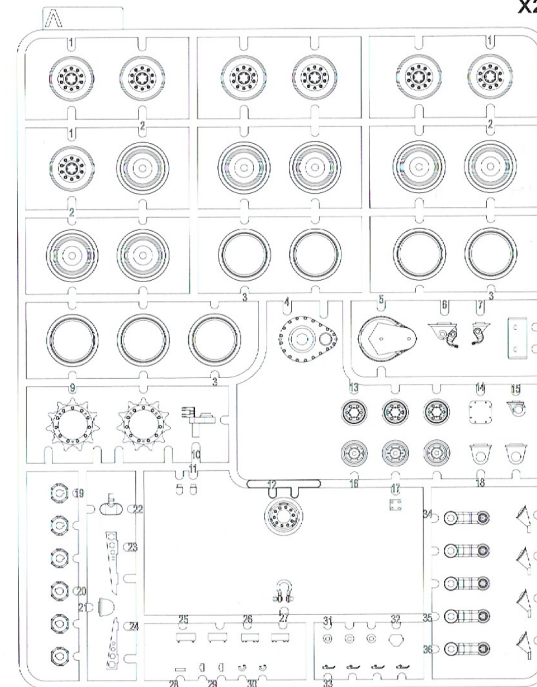


X2

Steel Pins



X2

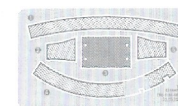


X2

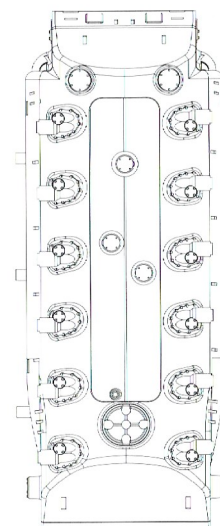
Lower Hull



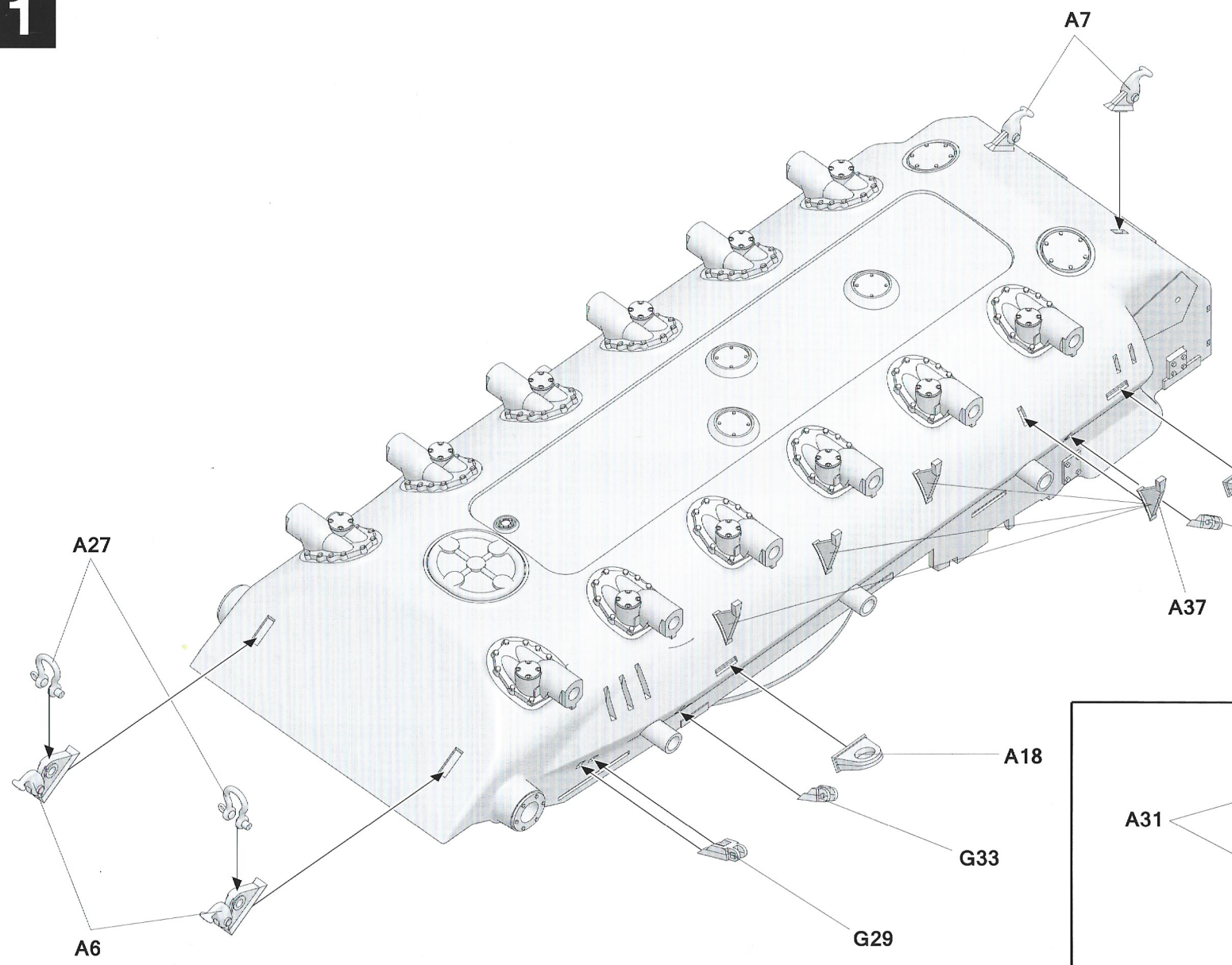
Decal



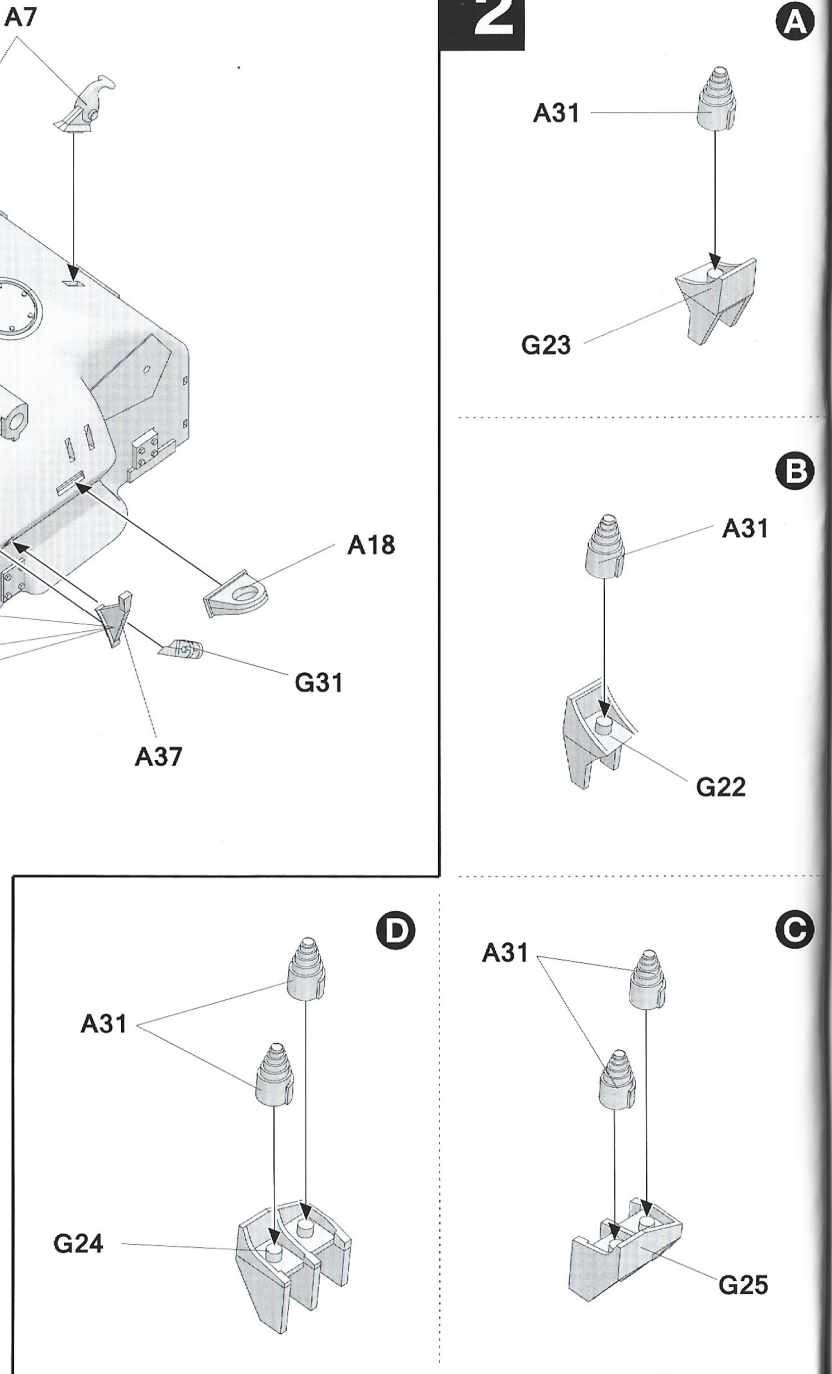
TP



1



2



3

3

E

C

A

D

A5

A4

Make 2

G28

G32

A37

A18

4

F

G

G2

G64

H

G76

G75

A14

B

A18

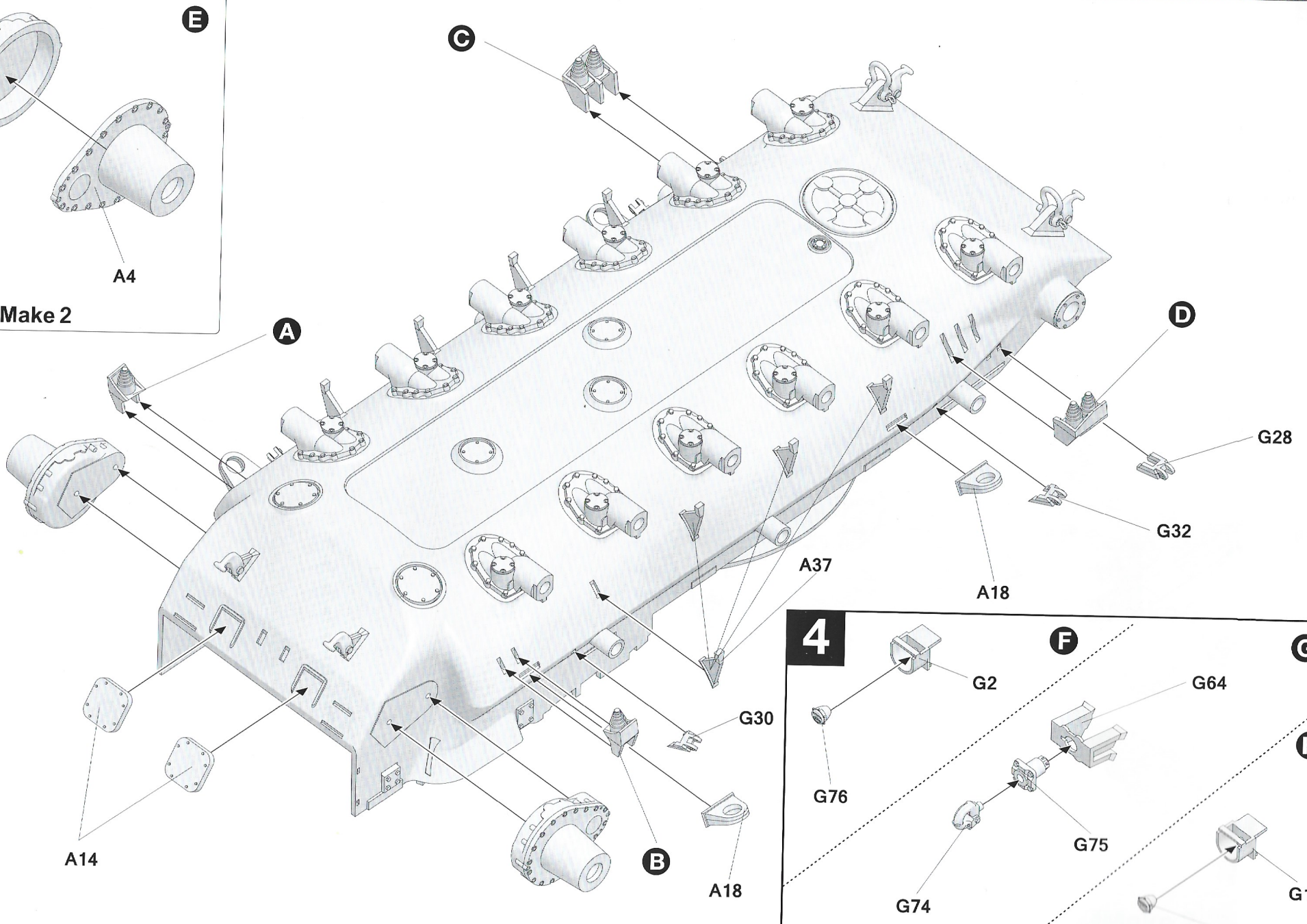
G30

G74

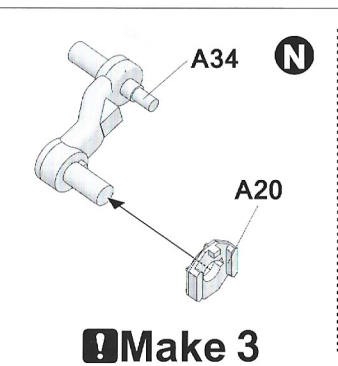
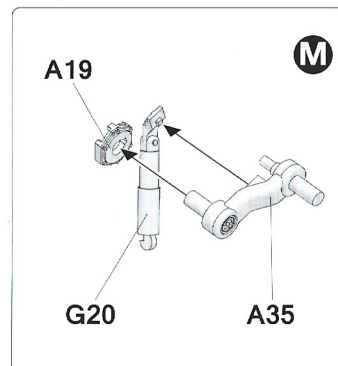
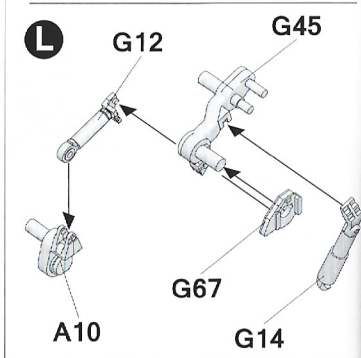
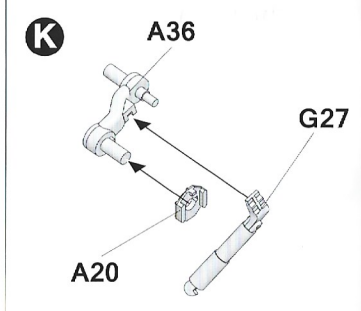
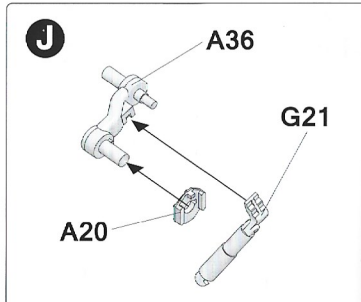
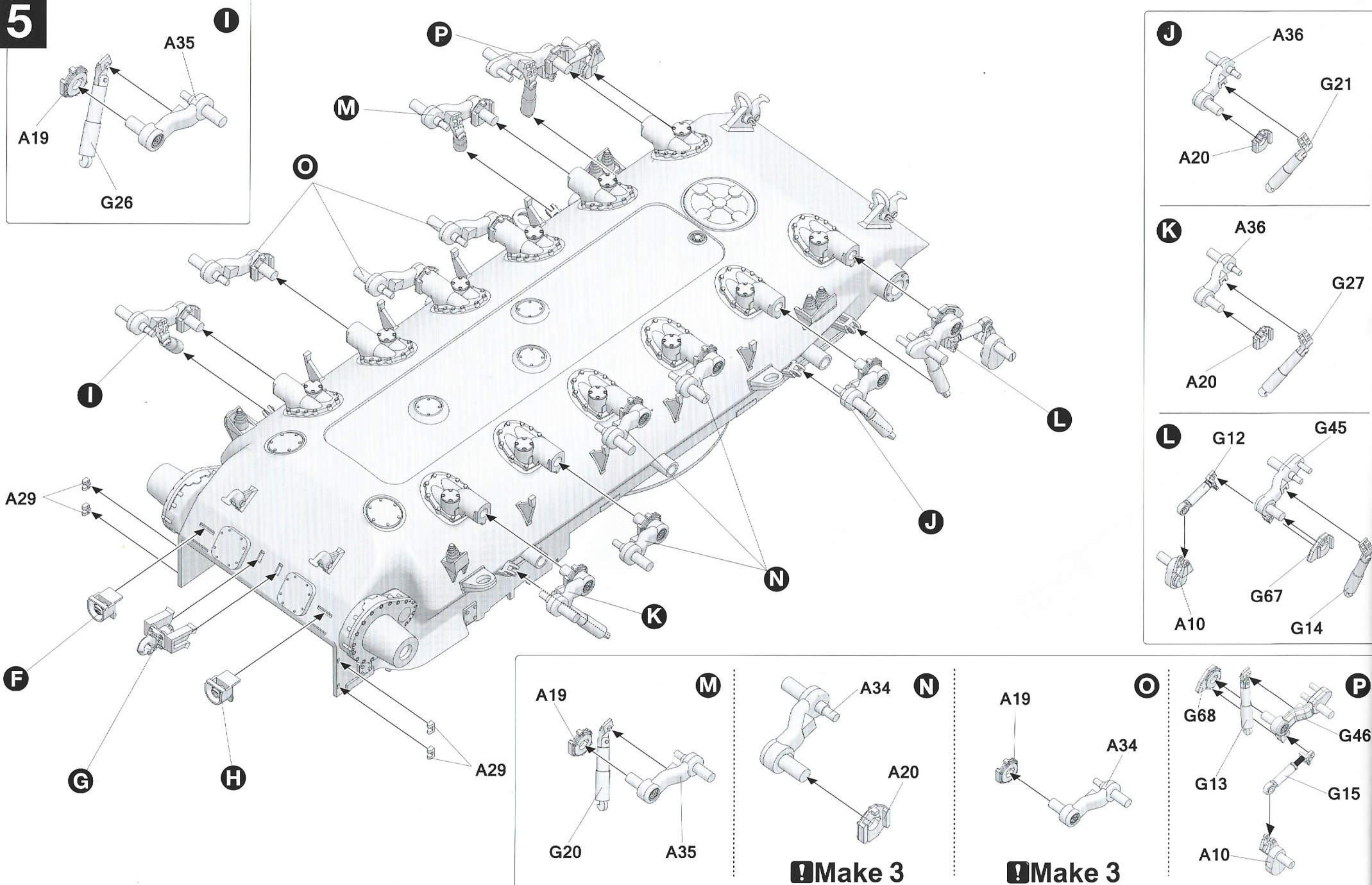
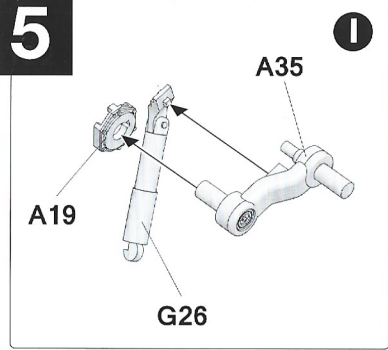
G1

G77

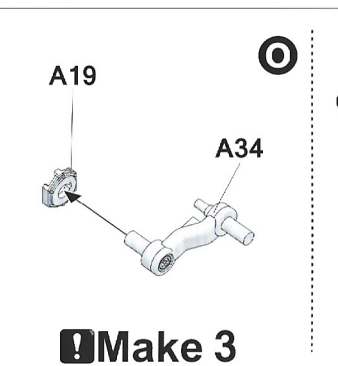
4



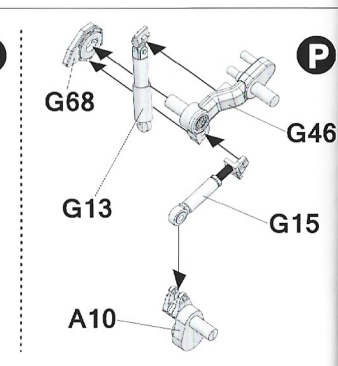
5

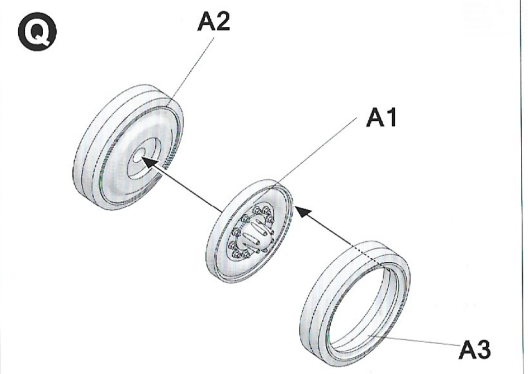
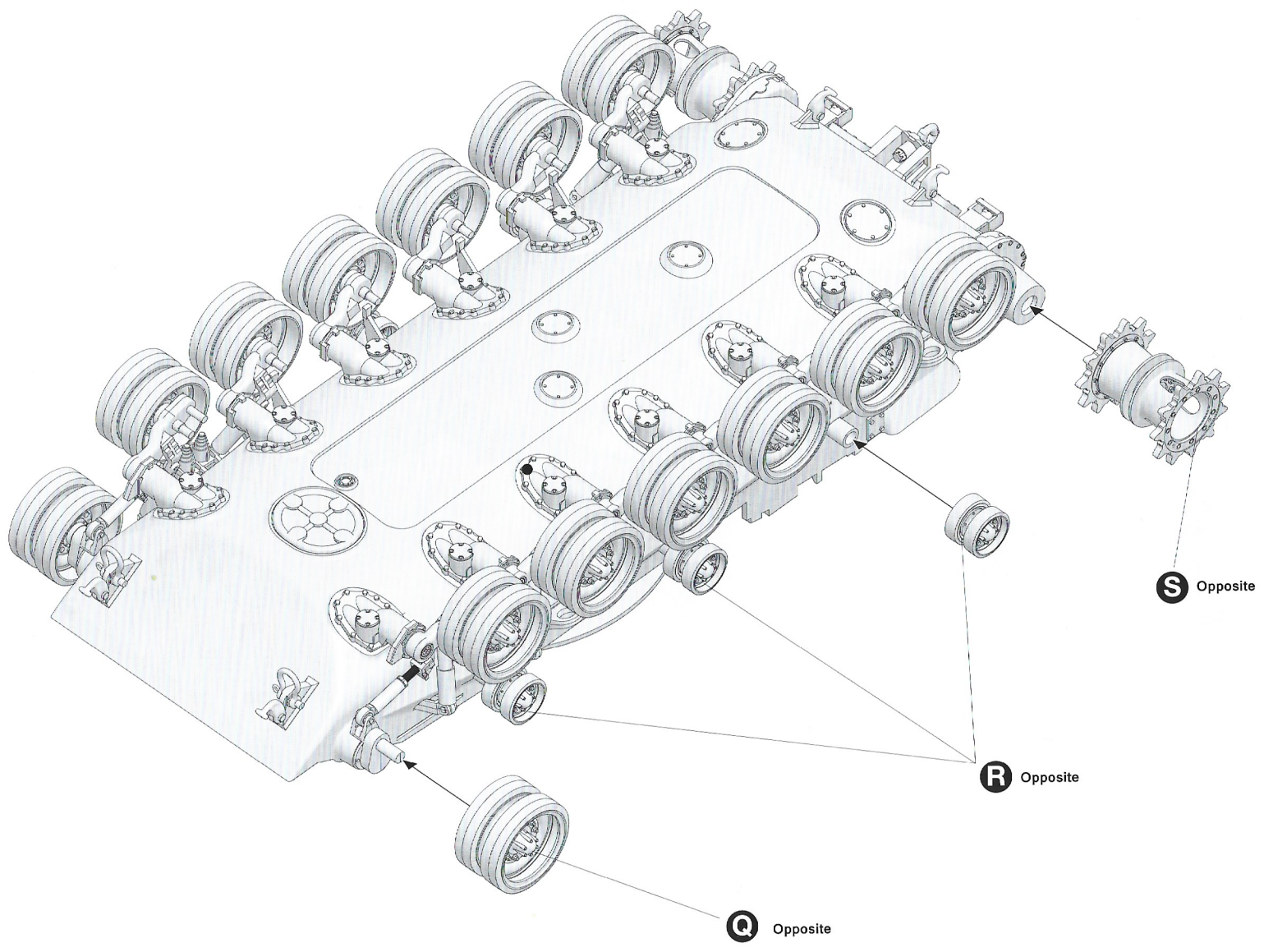


! Make 3

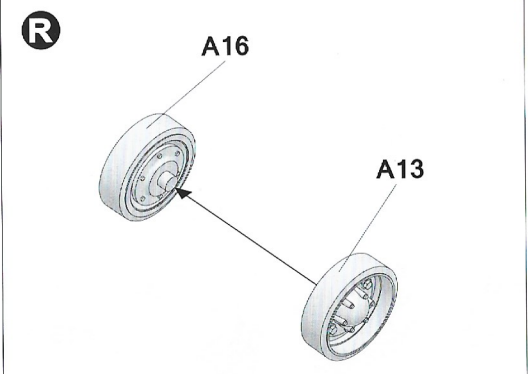


! Make 3

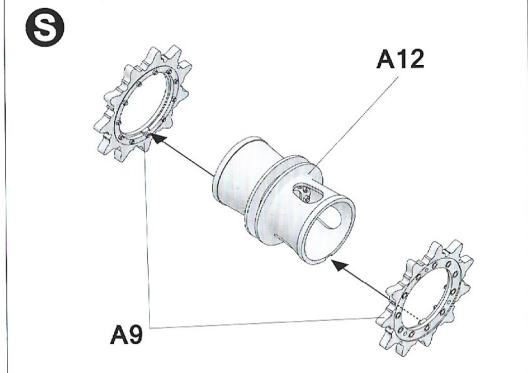




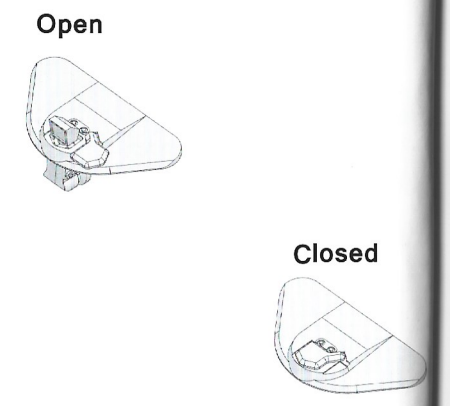
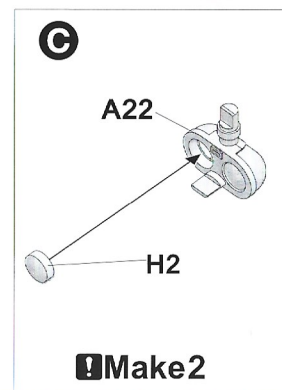
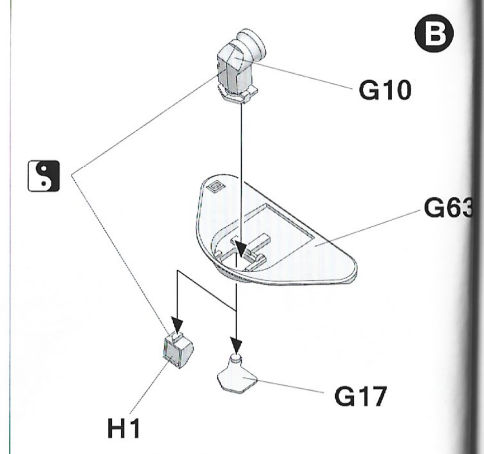
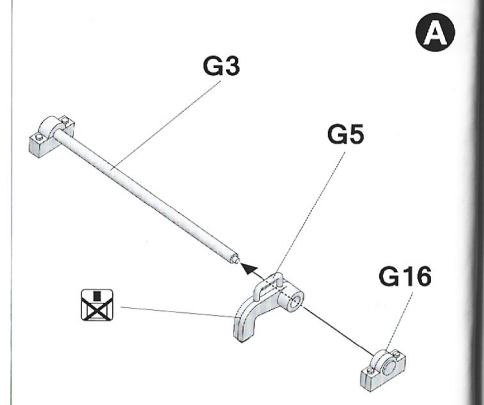
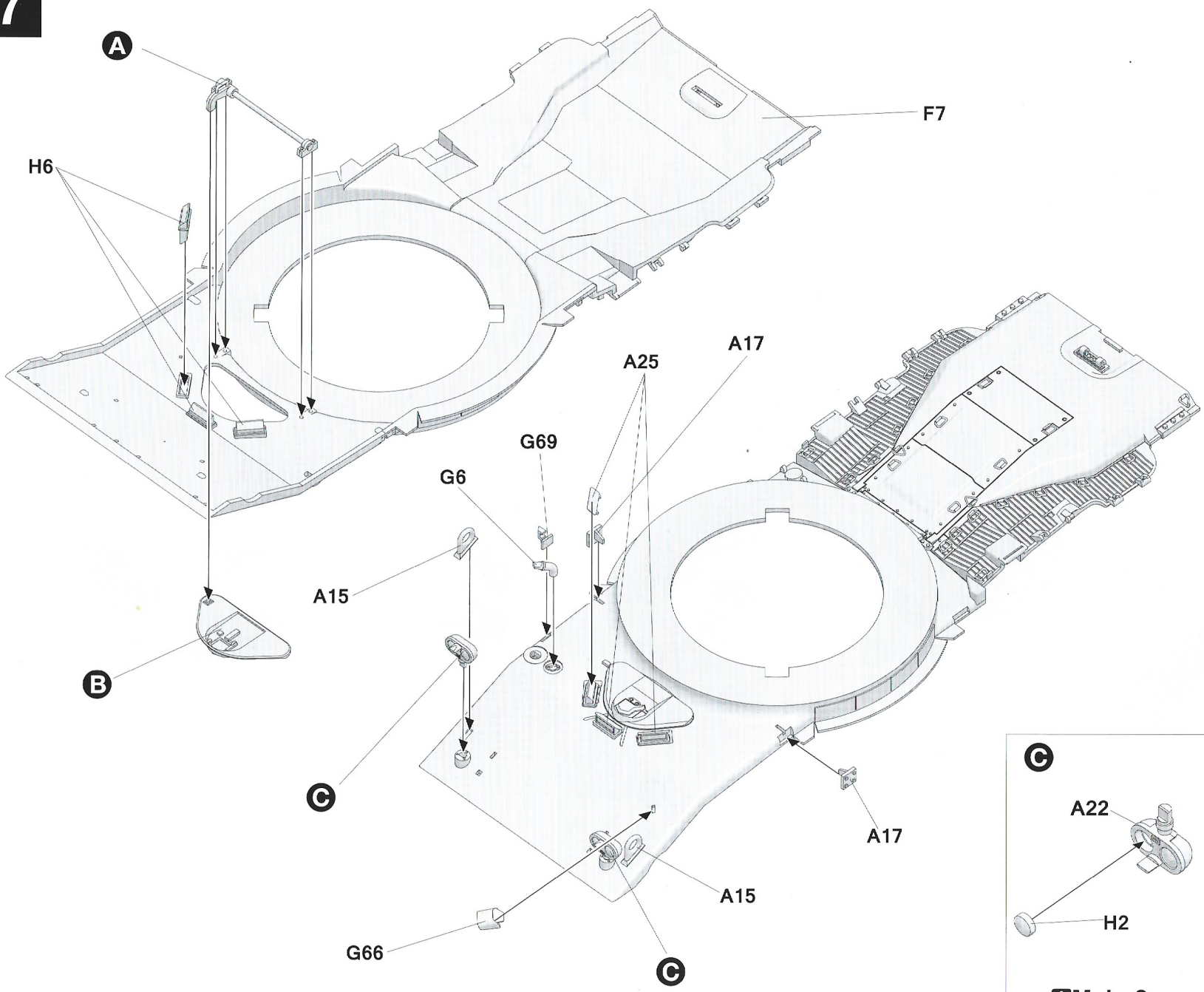
Make 14



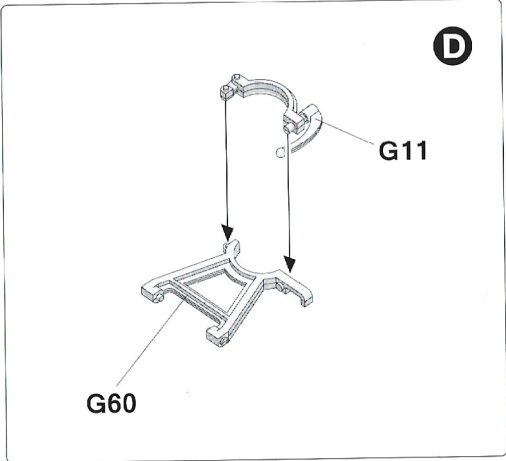
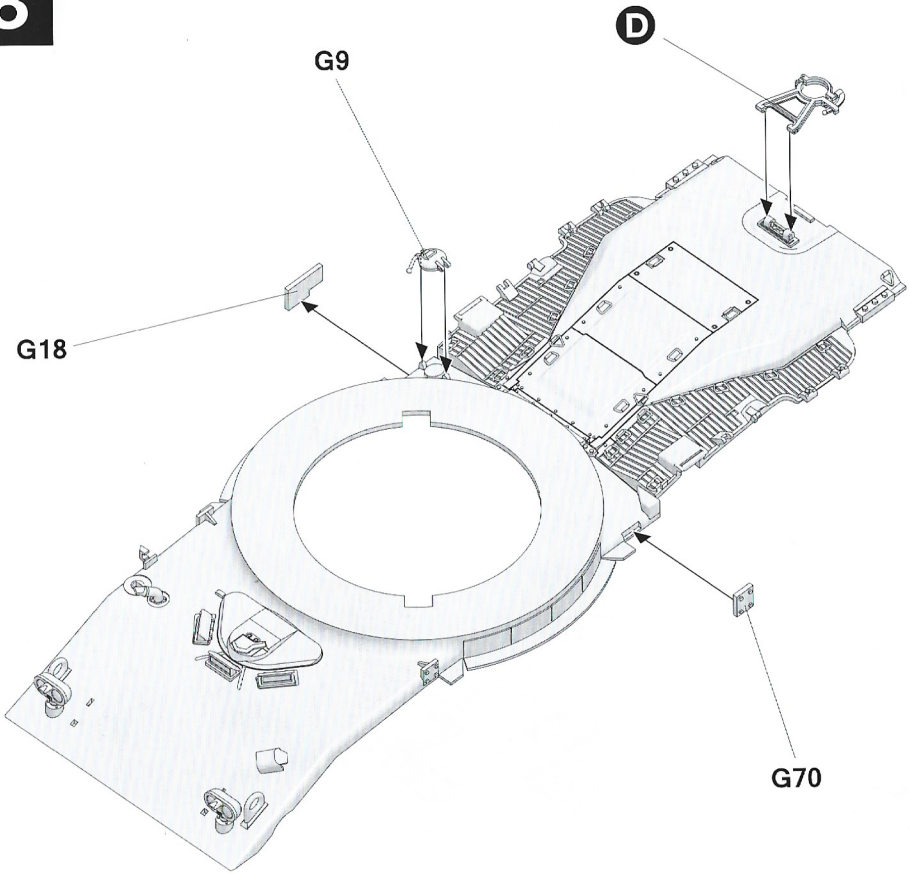
Make 6



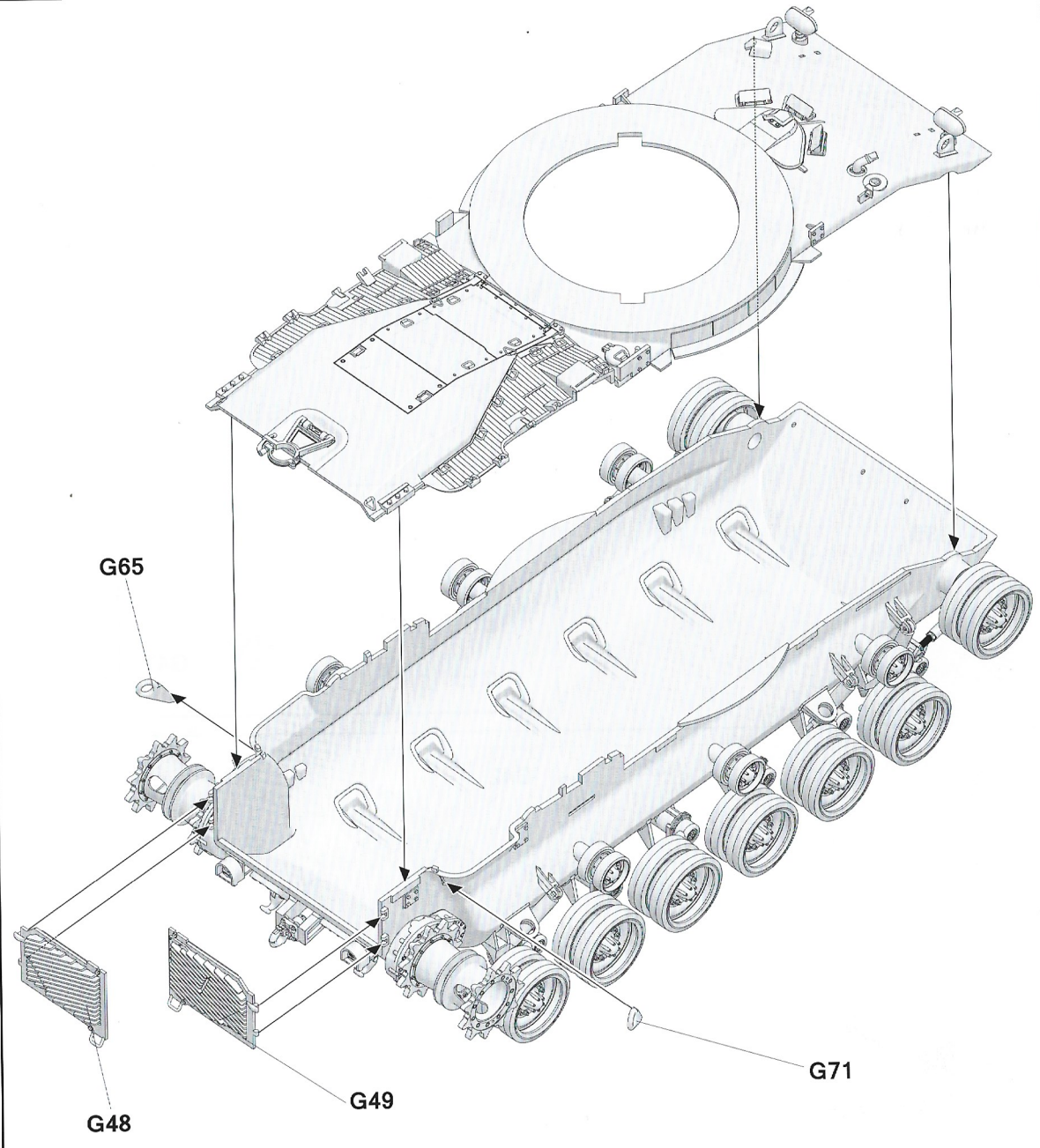
Make 2



8

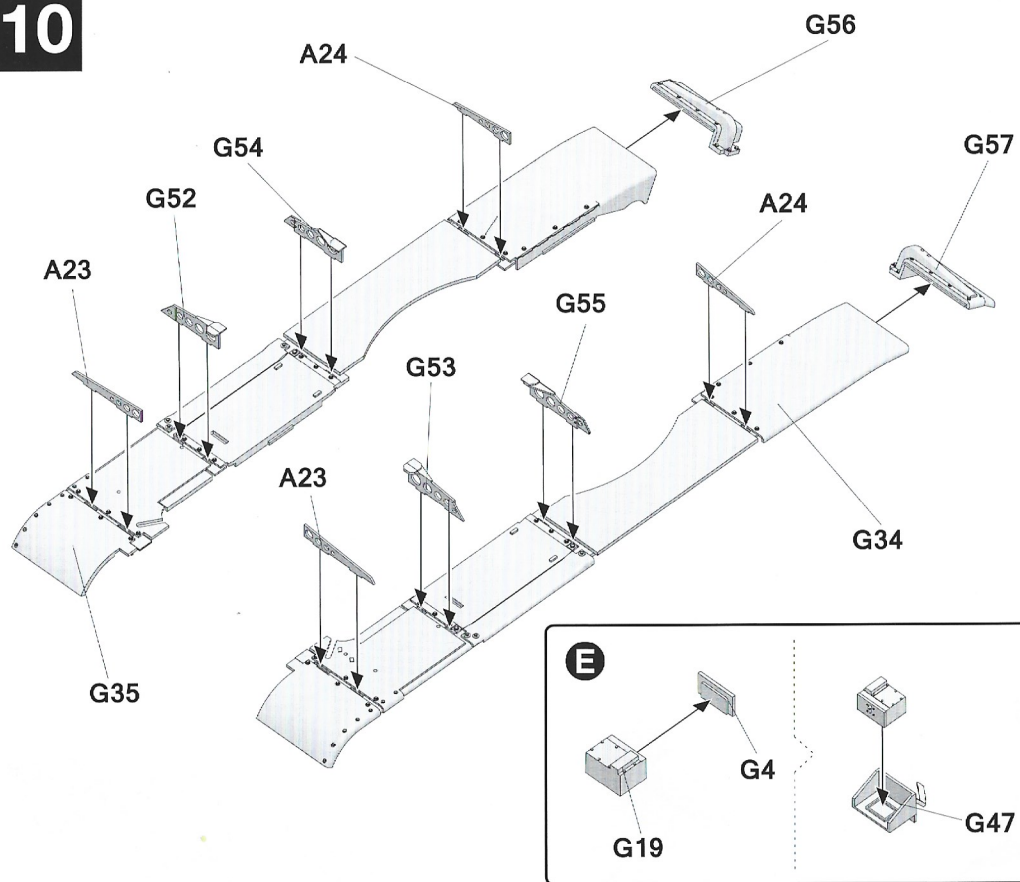


9

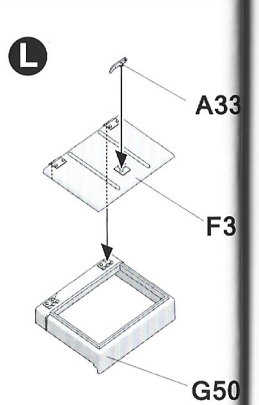
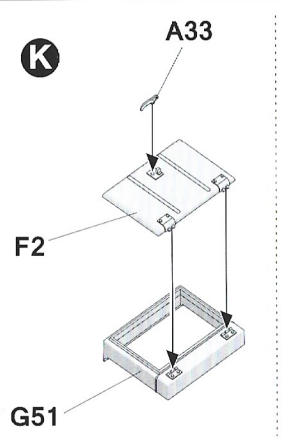
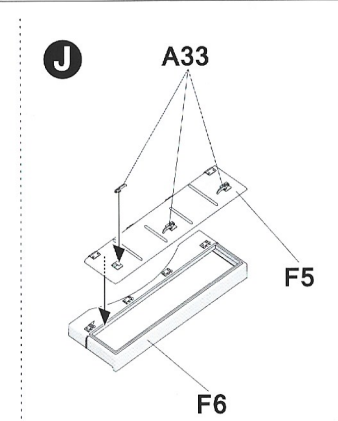
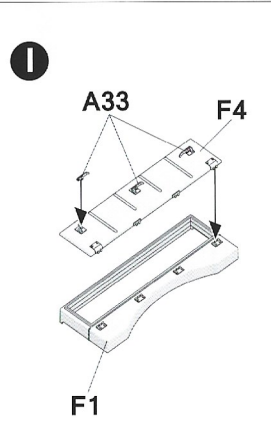
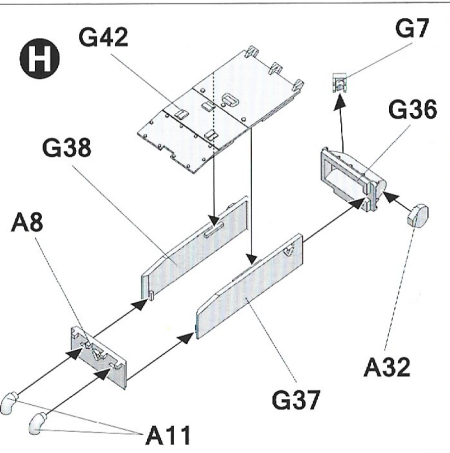
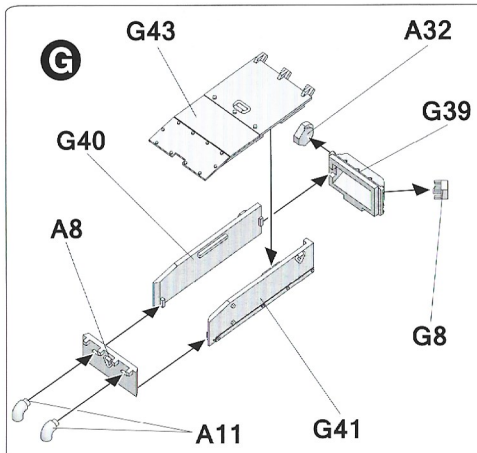
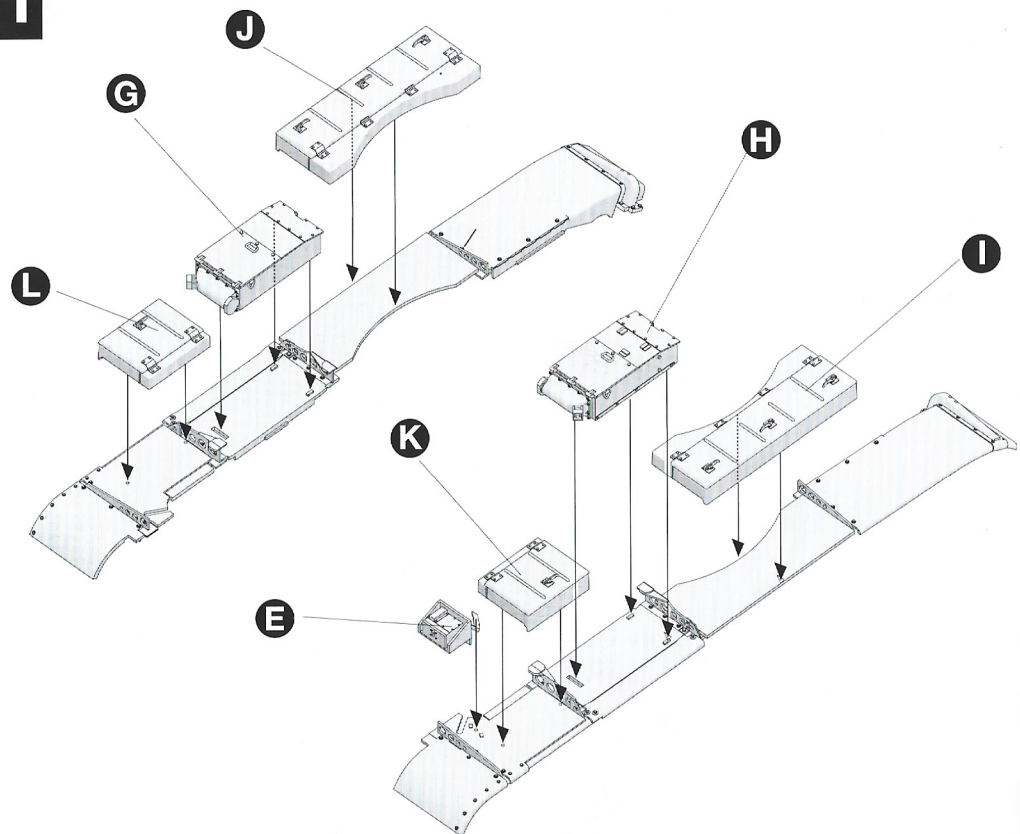


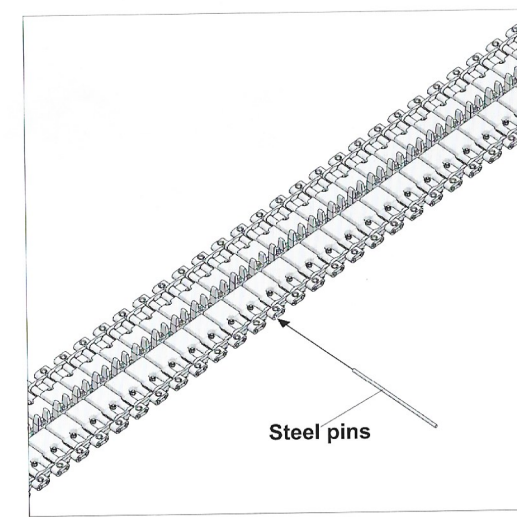
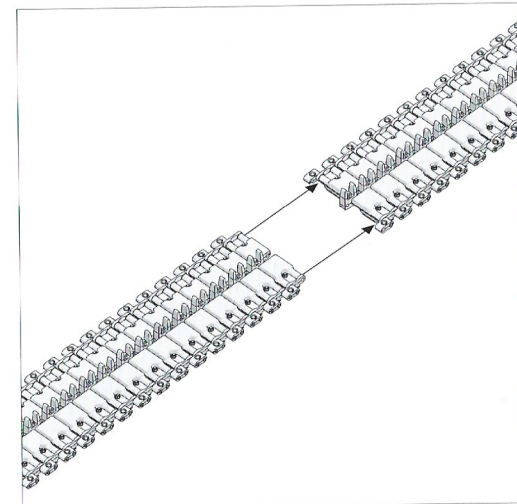
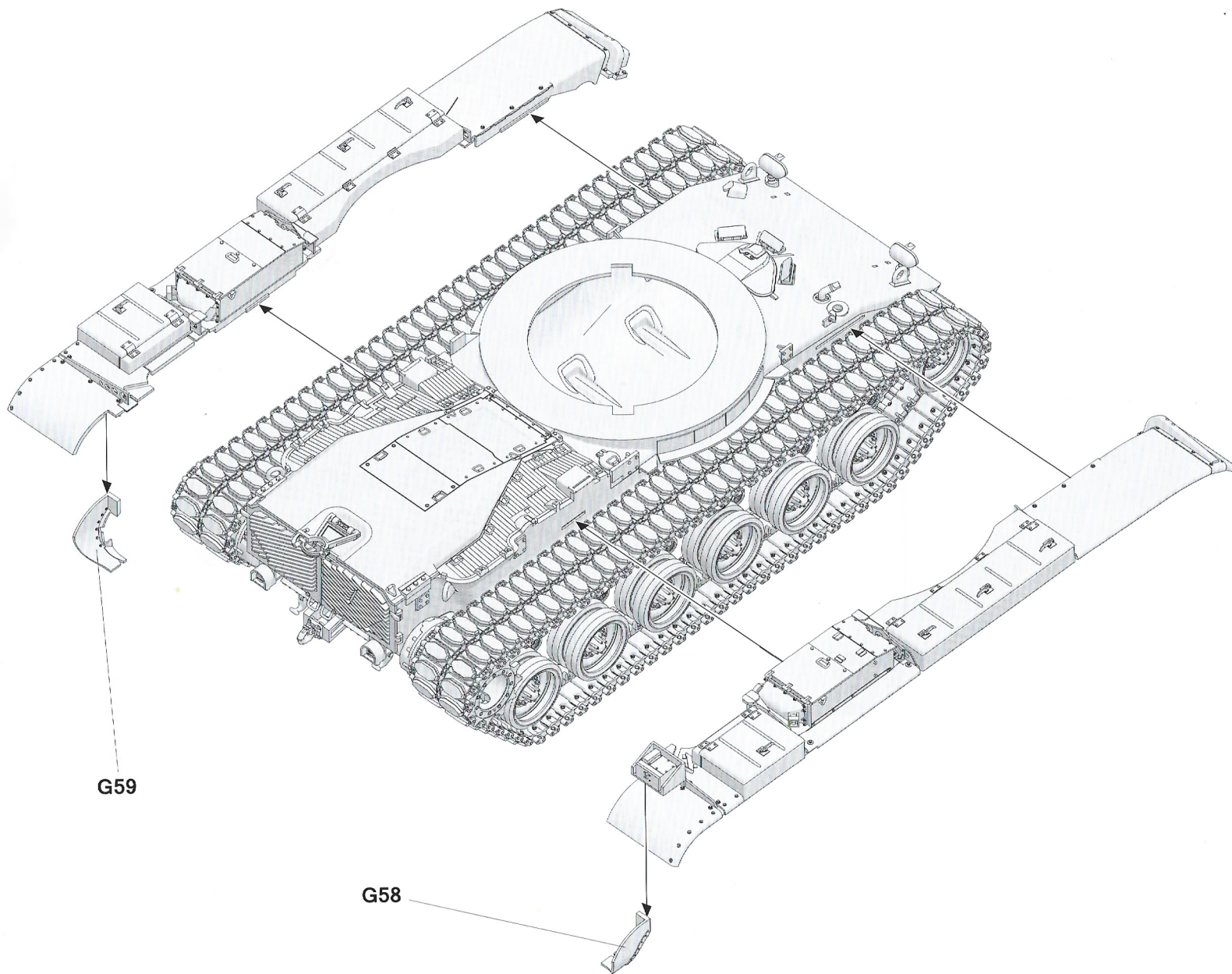
8

10

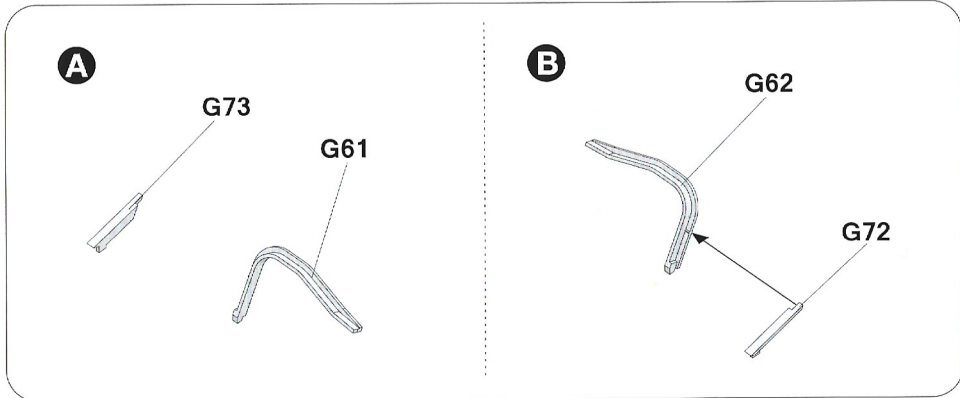
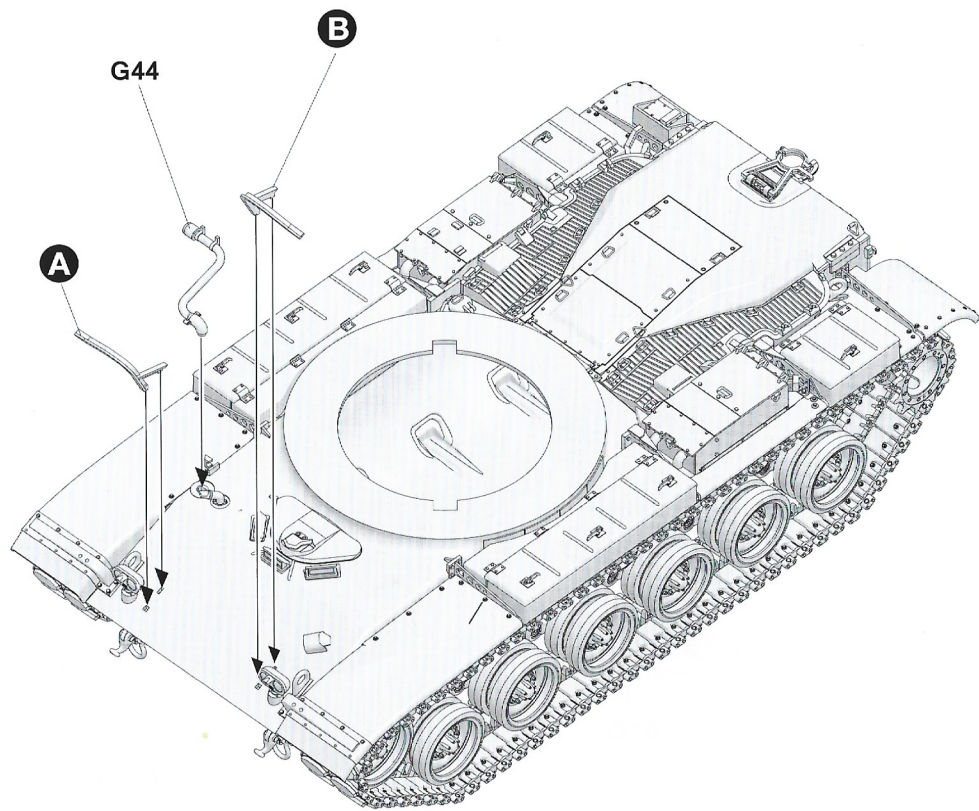


11

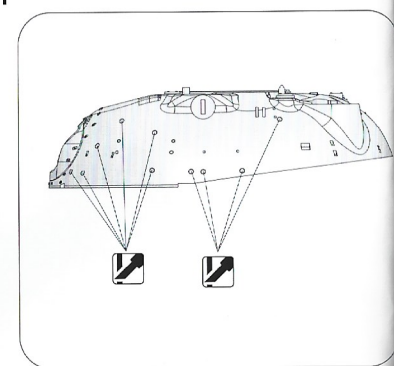
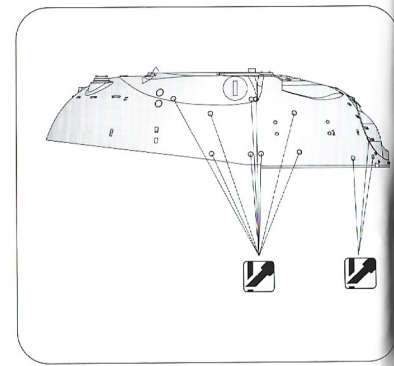
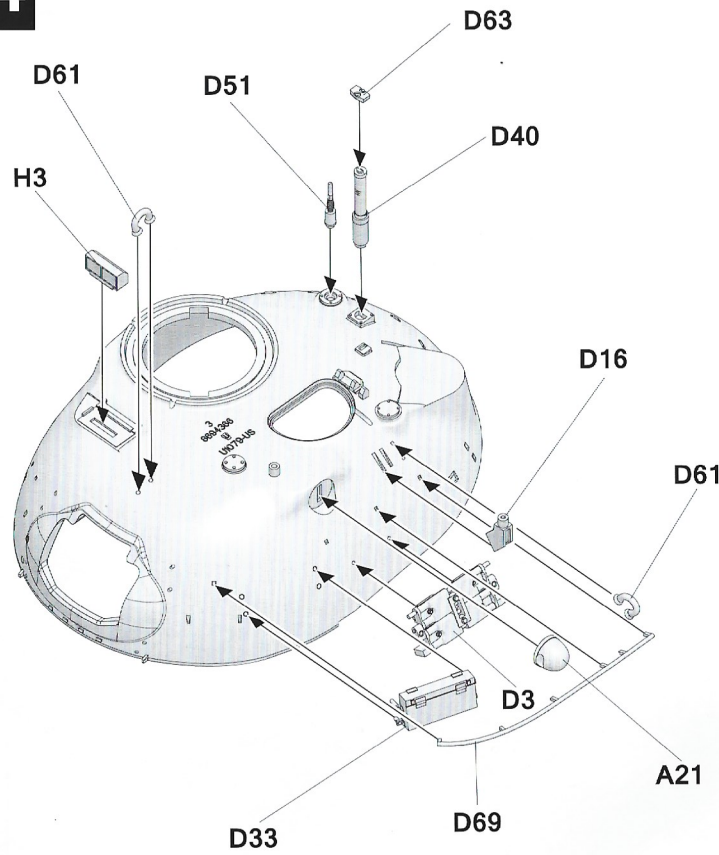




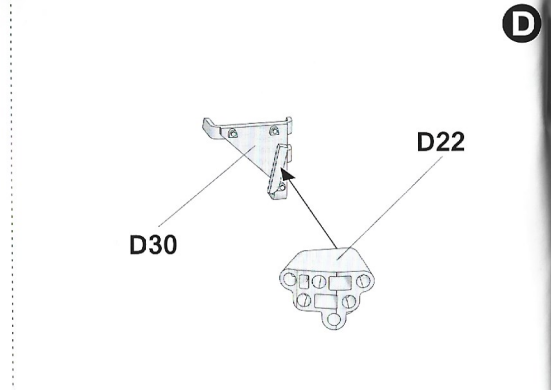
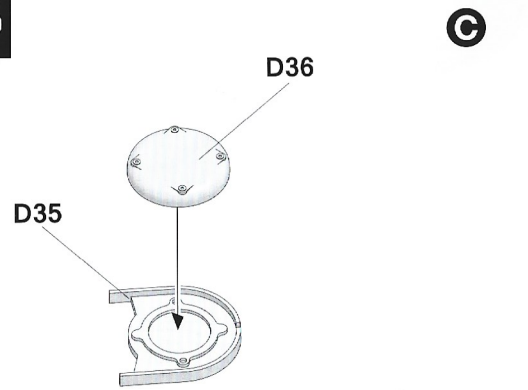
13

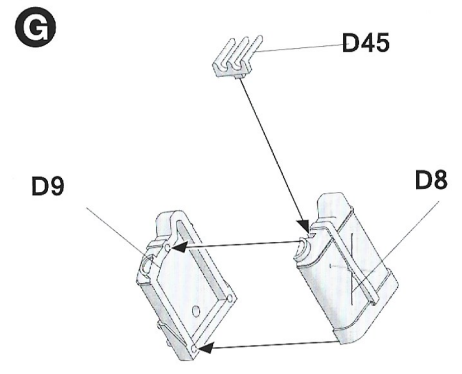
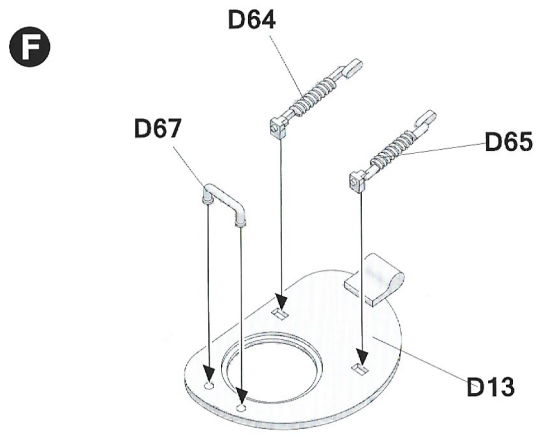
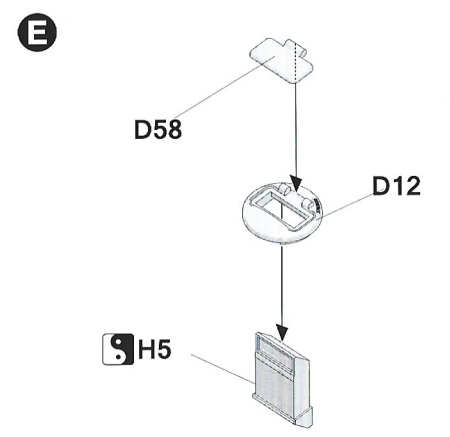
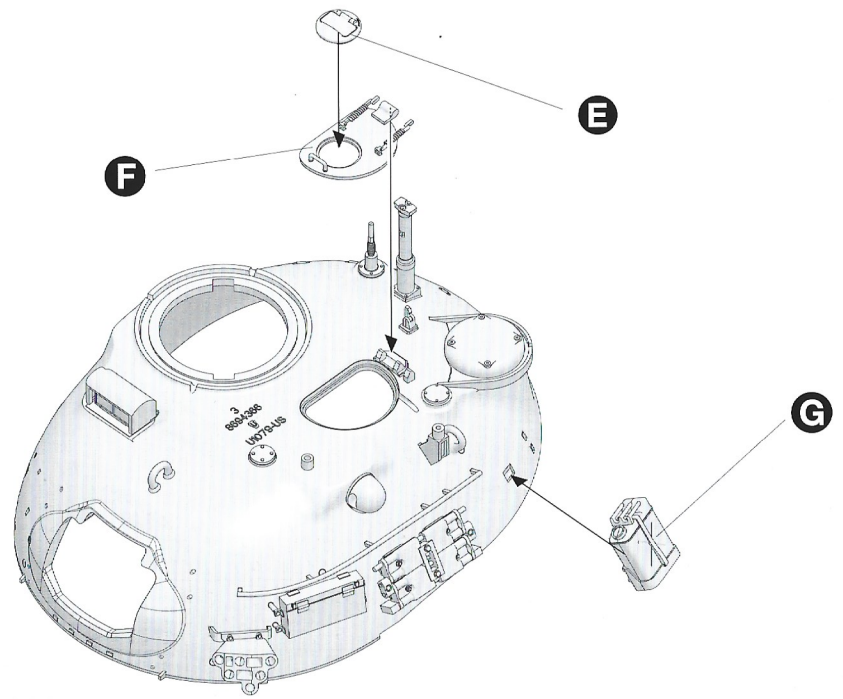
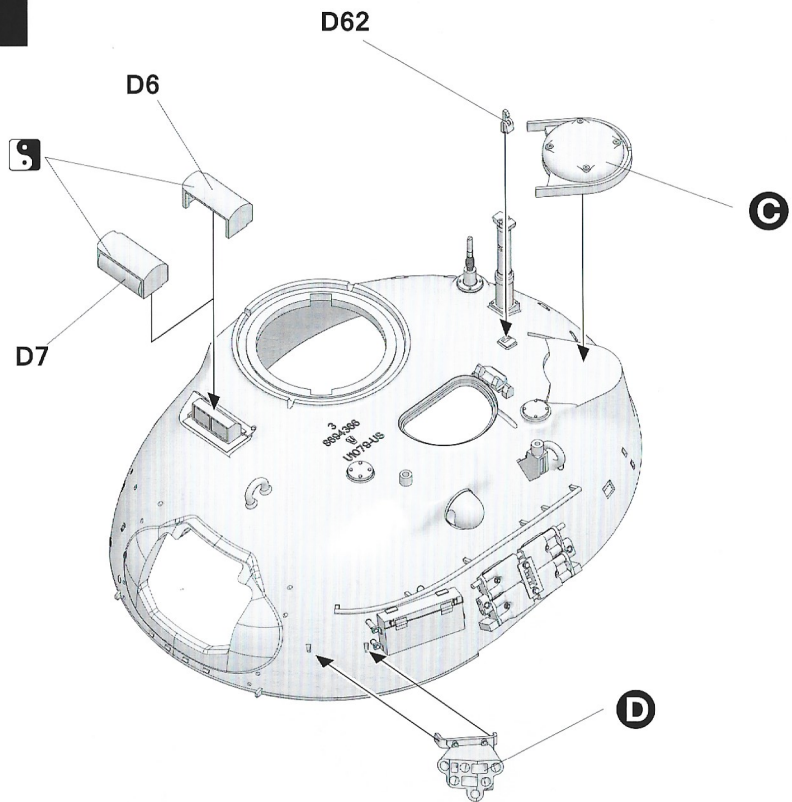


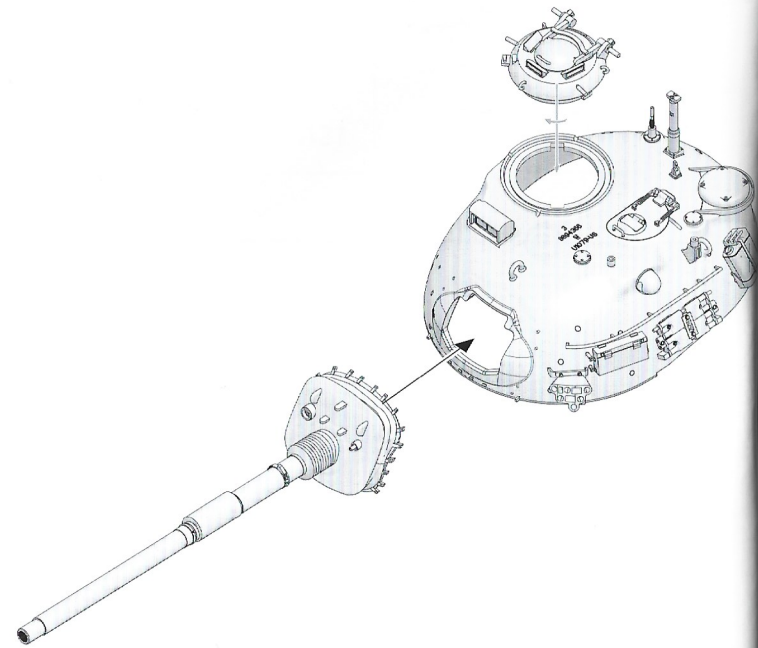
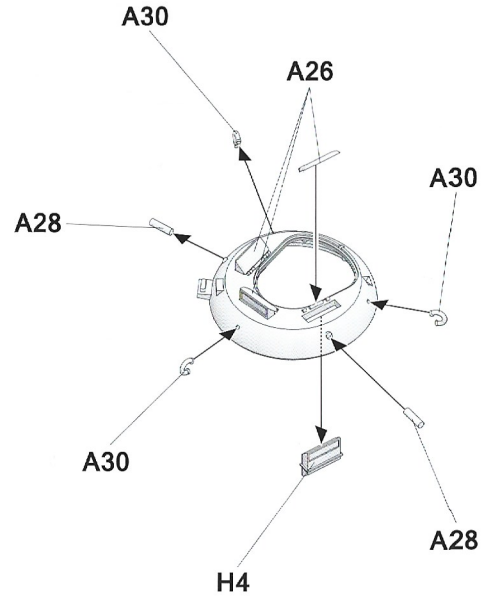
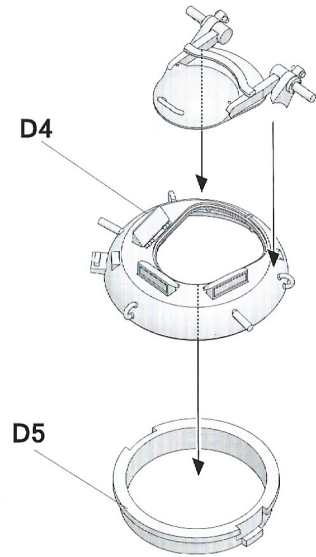
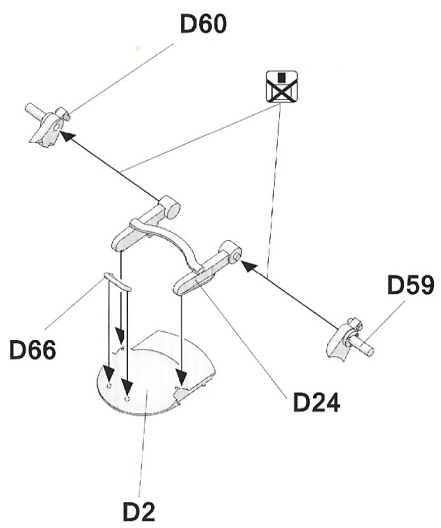
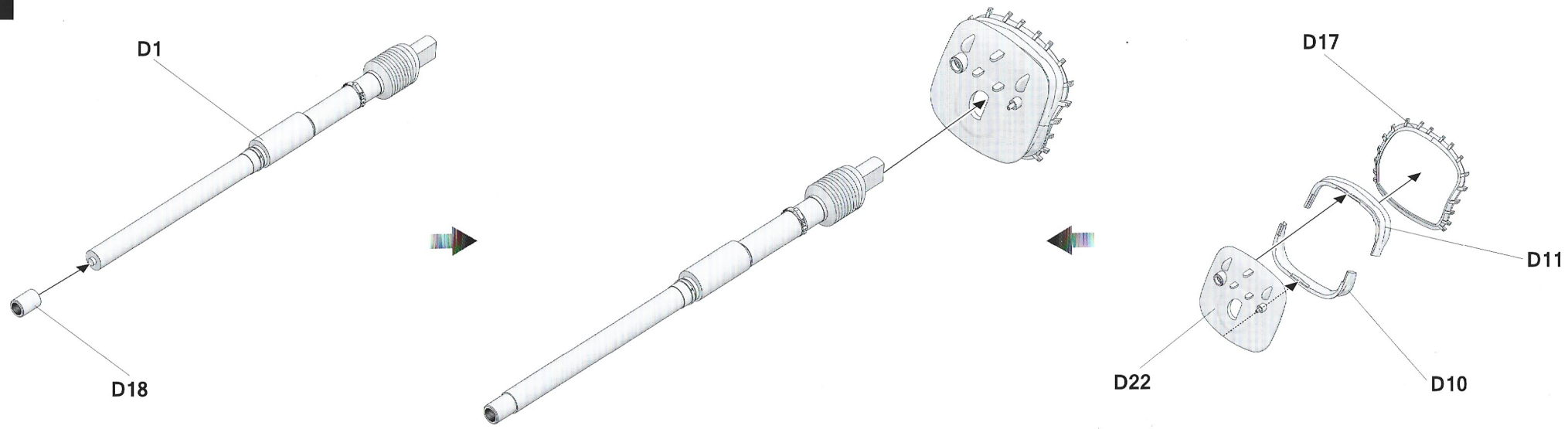
14

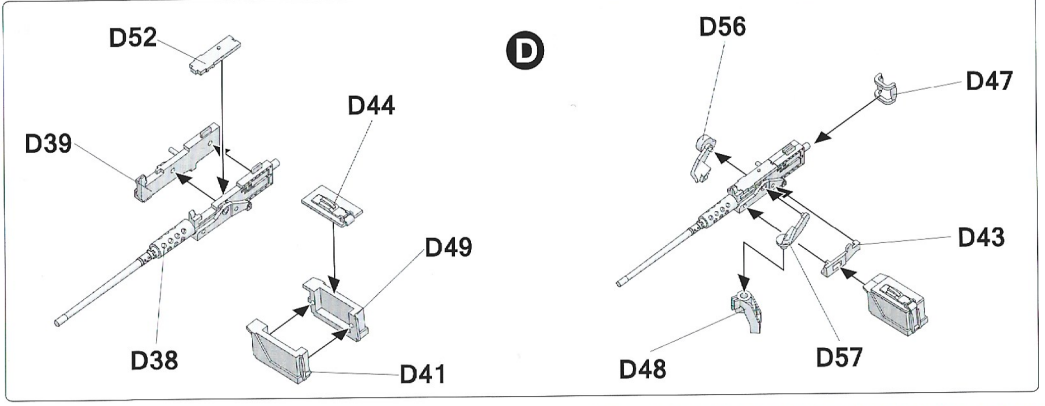
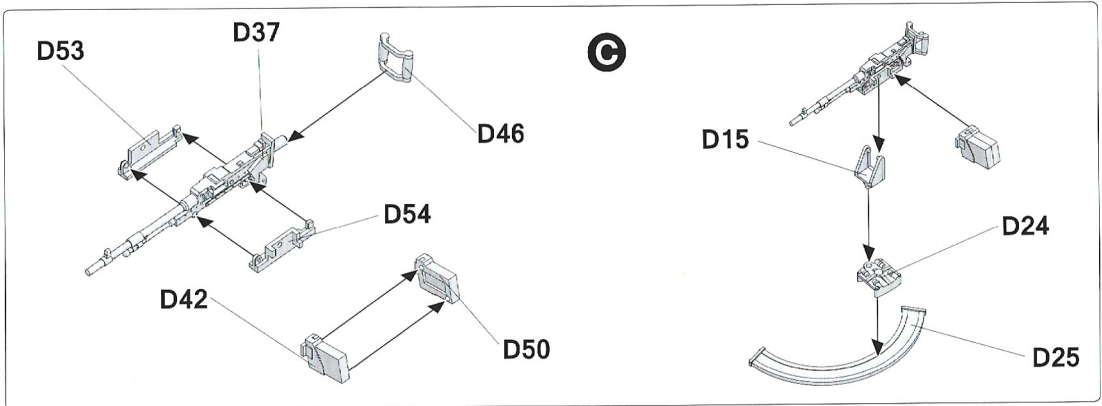
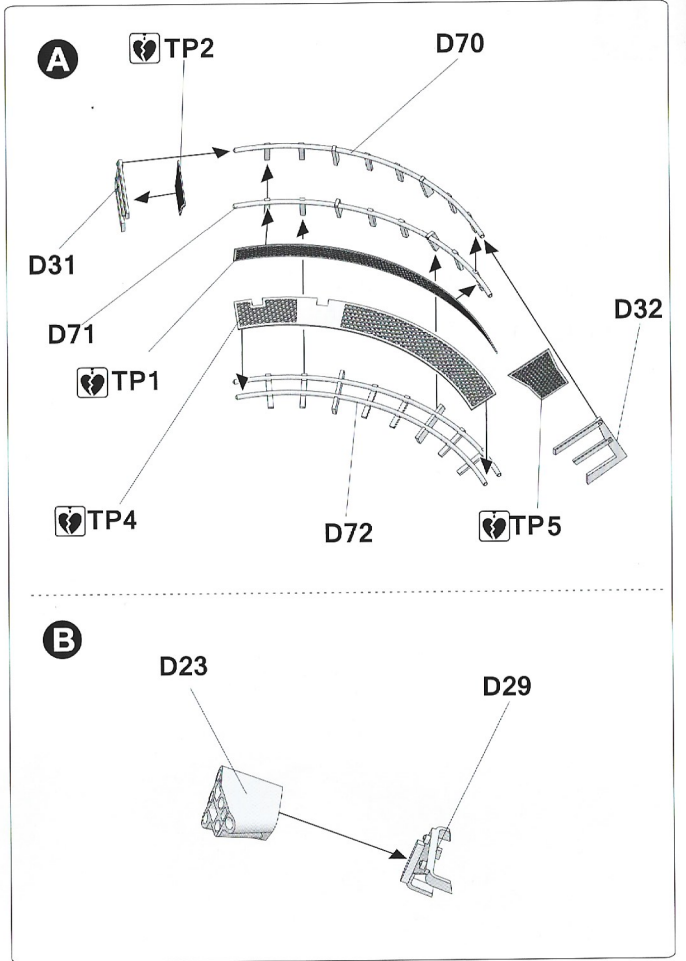
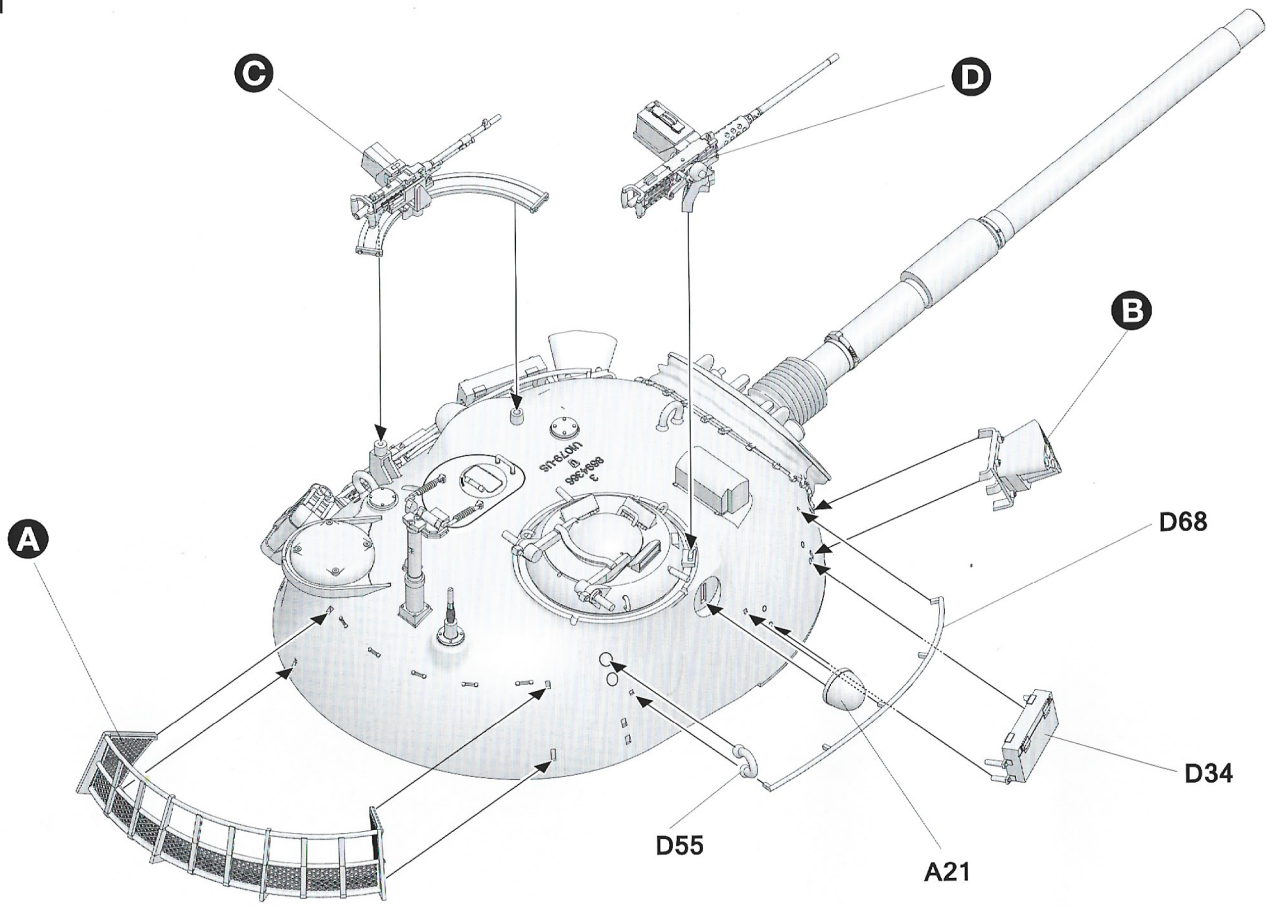


15

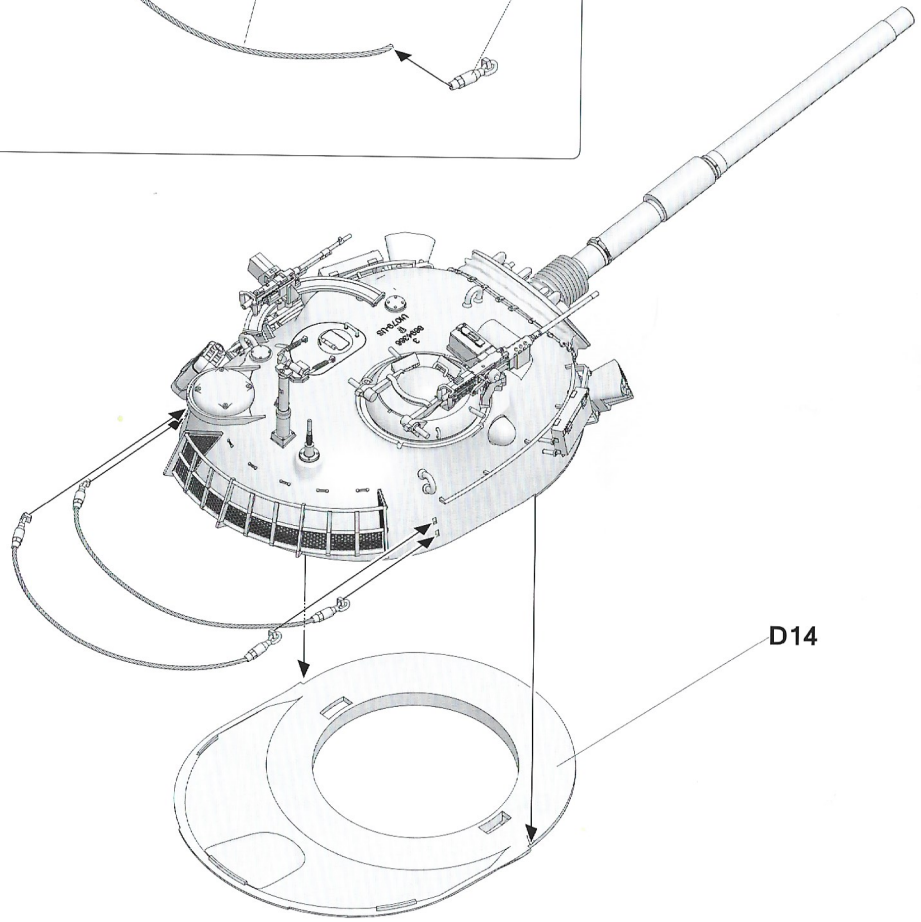
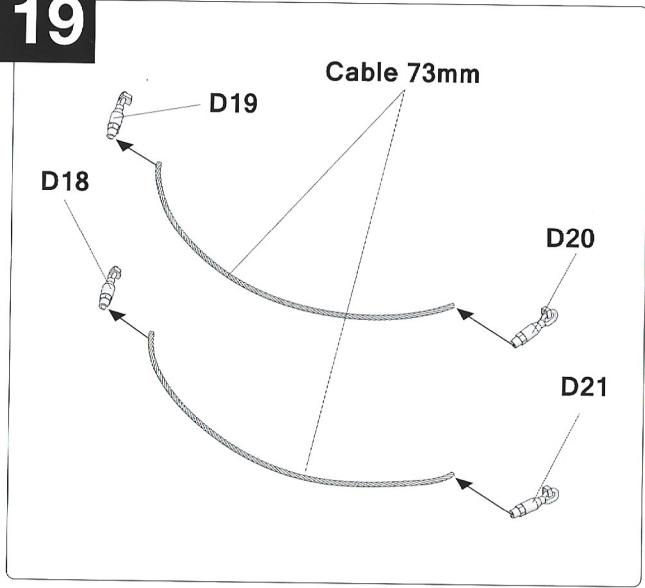




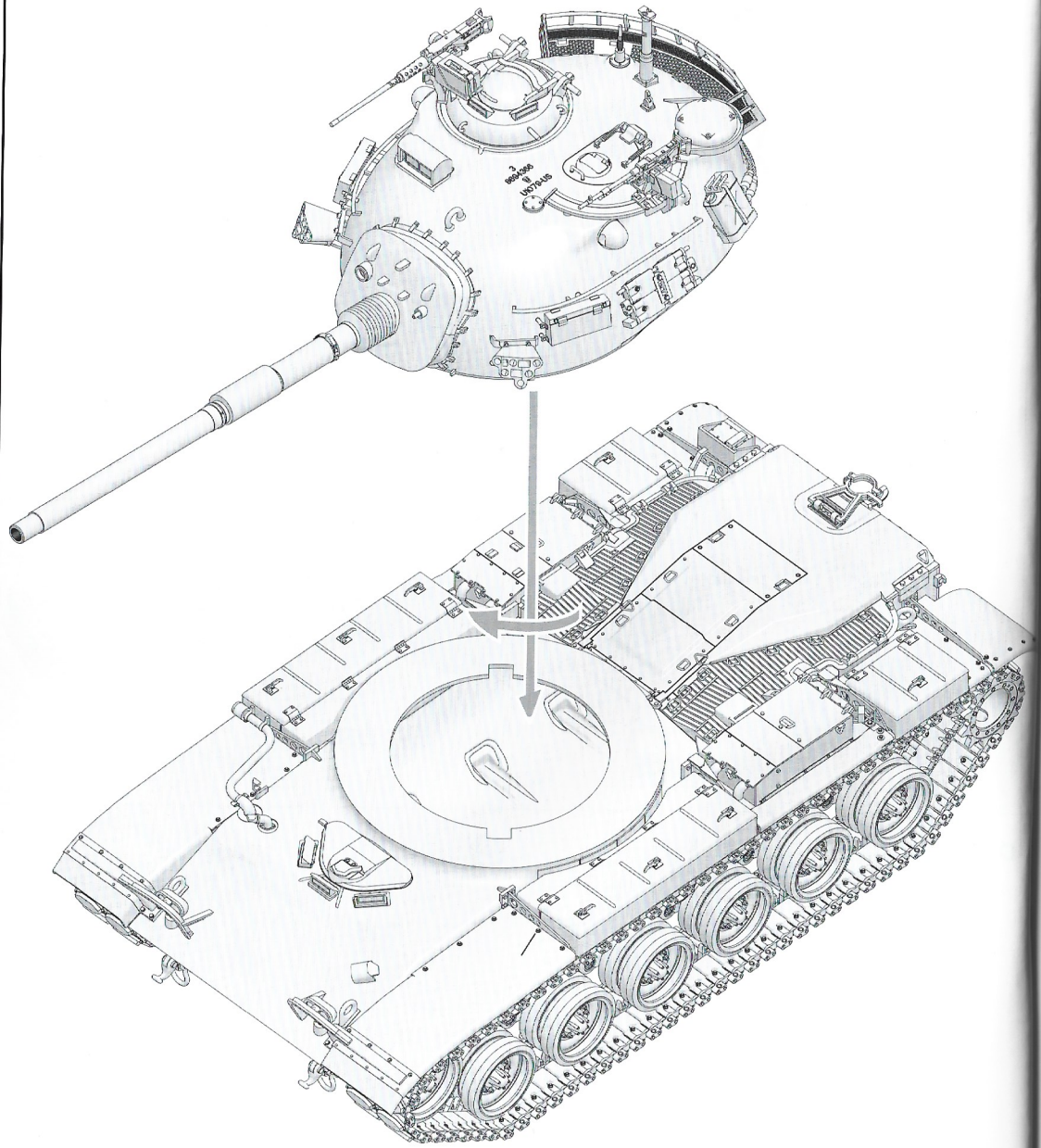




19



20



15

03.03.2090



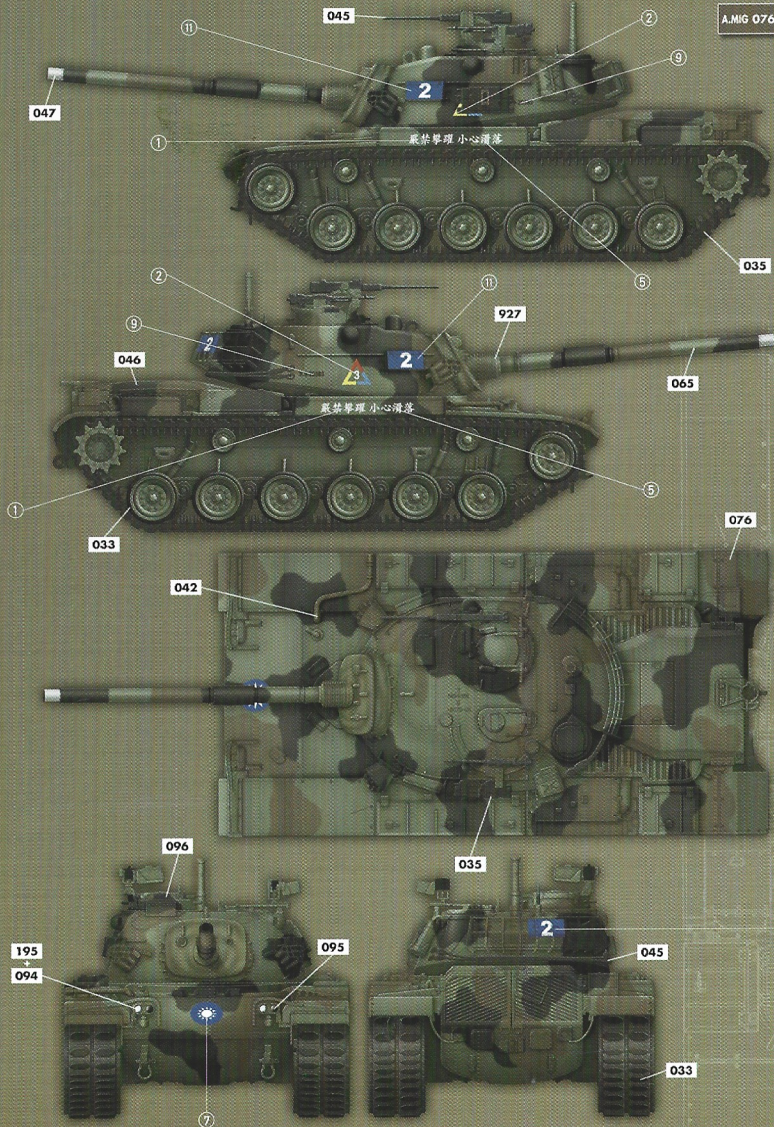
M-48H

Color info and profiles by



Painting and Marking Guide

- A.MIG 033 Rubber & Tires
- A.MIG 035 Dark Tracks
- A.MIG 042 Old Rust
- A.MIG 045 Gun Metal
- A.MIG 094 Crystal Glass
- A.MIG 095 Crystal-Smoke
- A.MIG 096 Crystal Periscope Green
- A.MIG 195 Silver
- A.MIG 927 Olive Drab Light Base
- A.MIG 046 Matt Black
- A.MIG 047 Sabin White
- A.MIG 065 Forrest Green
- A.MIG 076 Brown Soil



03.03.2090



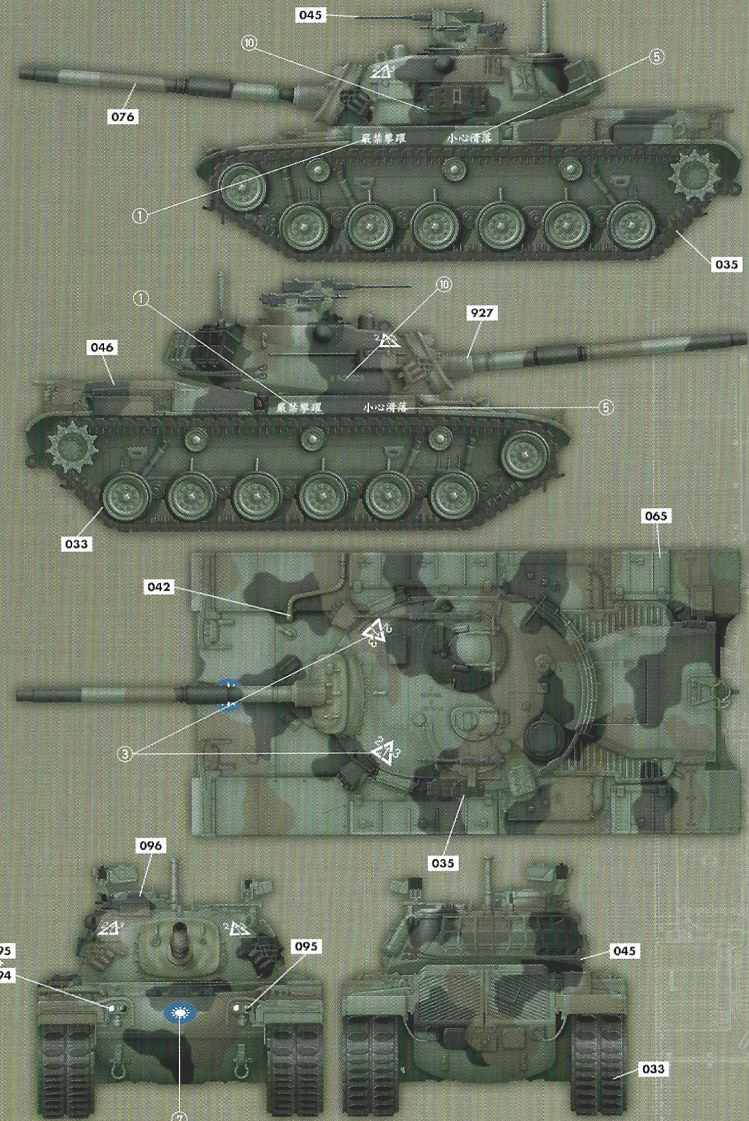
M48H

Color info and profiles by



Painting and Marking Guide

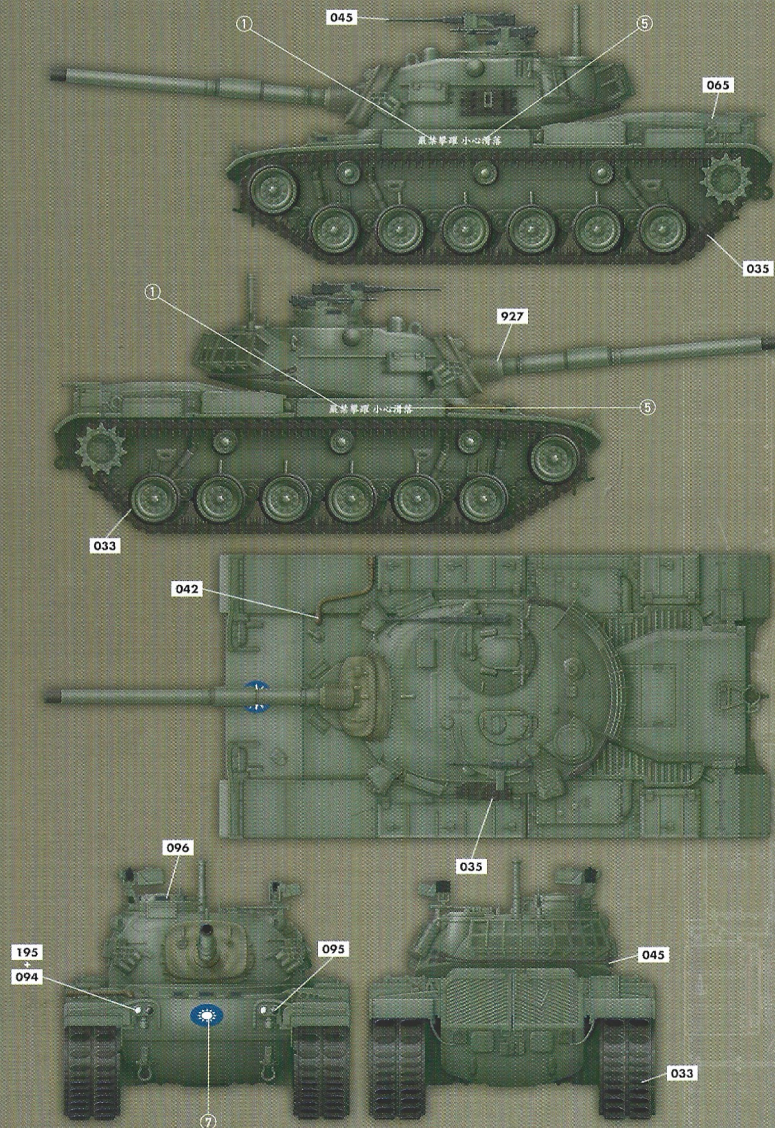
- A.MIG 033 Rubber & Tires
- A.MIG 035 Dark Tracks
- A.MIG 042 Old Rust
- A.MIG 045 Gun Metal
- A.MIG 094 Crystal Glass
- A.MIG 095 Crystal-Smoke
- A.MIG 096 Crystal Periscope Green
- A.MIG 195 Silver
- A.MIG 927 Olive Drab Light Base
- A.MIG 046 Matt Black
- A.MIG 065 Forrest Green
- A.MIG 076 Brown Soil



M48H

Painting and Marking Guide

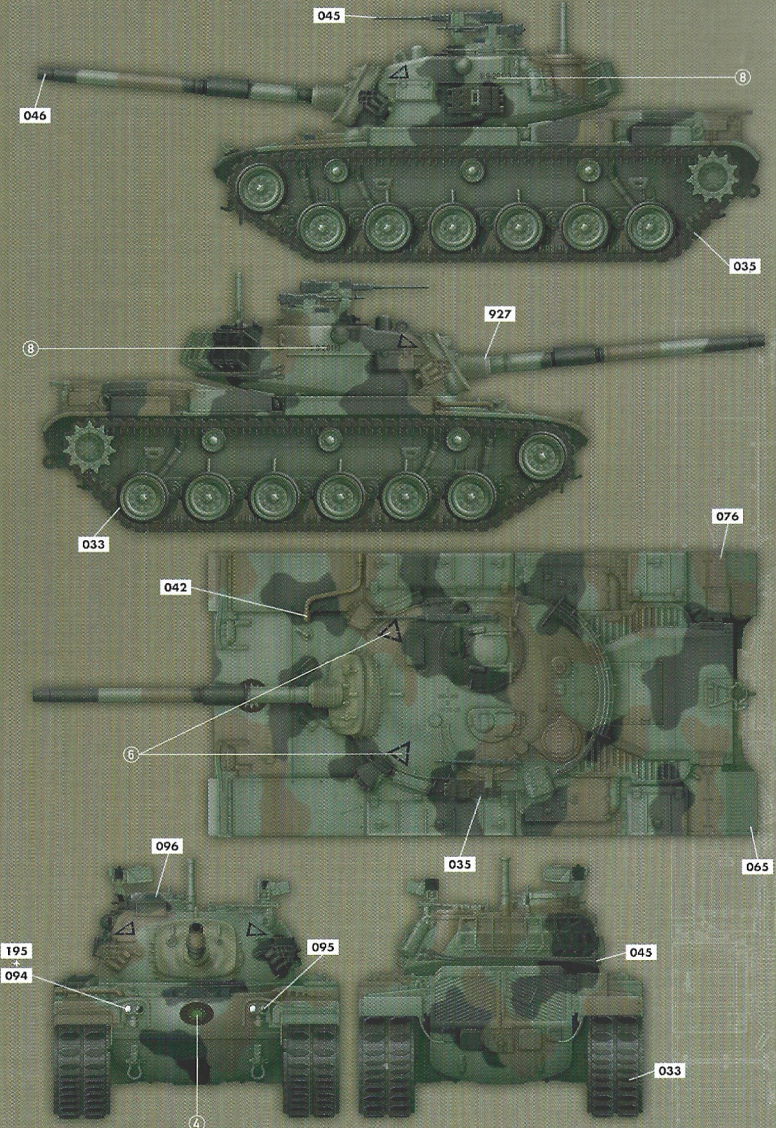
- A.MIG 033 Rubber & Tires
- A.MIG 035 Dark Tracks
- A.MIG 042 Old Rust
- A.MIG 045 Gun Metal
- A.MIG 094 Crystal Glass
- A.MIG 095 Crystal Smoke
- A.MIG 096 Crystal Periscope Green
- A.MIG 195 Silver
- A.MIG 927 Olive Drab Light Base
- A.MIG 065 Forest Green



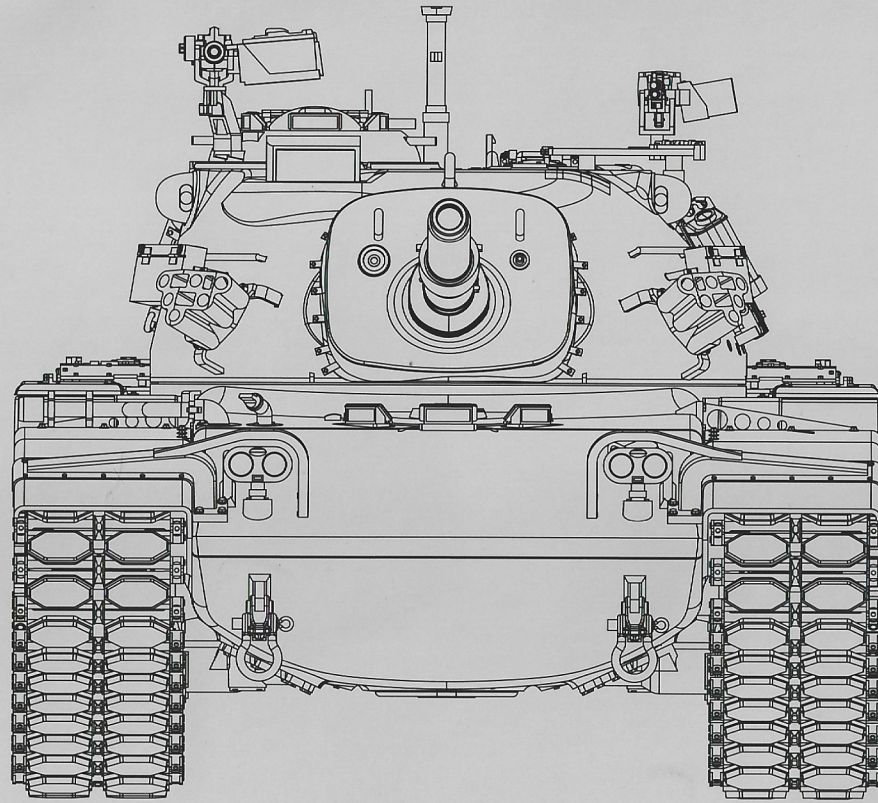
M48H

Painting and Marking Guide

- A.MIG 033 Rubber & Tires
- A.MIG 035 Dark Tracks
- A.MIG 042 Old Rust
- A.MIG 045 Gun Metal
- A.MIG 094 Crystal Glass
- A.MIG 095 Crystal Smoke
- A.MIG 096 Crystal Periscope Green
- A.MIG 195 Silver
- A.MIG 927 Olive Drab Light Base
- A.MIG 046 Matt Black
- A.MIG 065 Forest Green
- A.MIG 076 Brown Soil



2017/2090



You can find TAKOM on Facebook.com