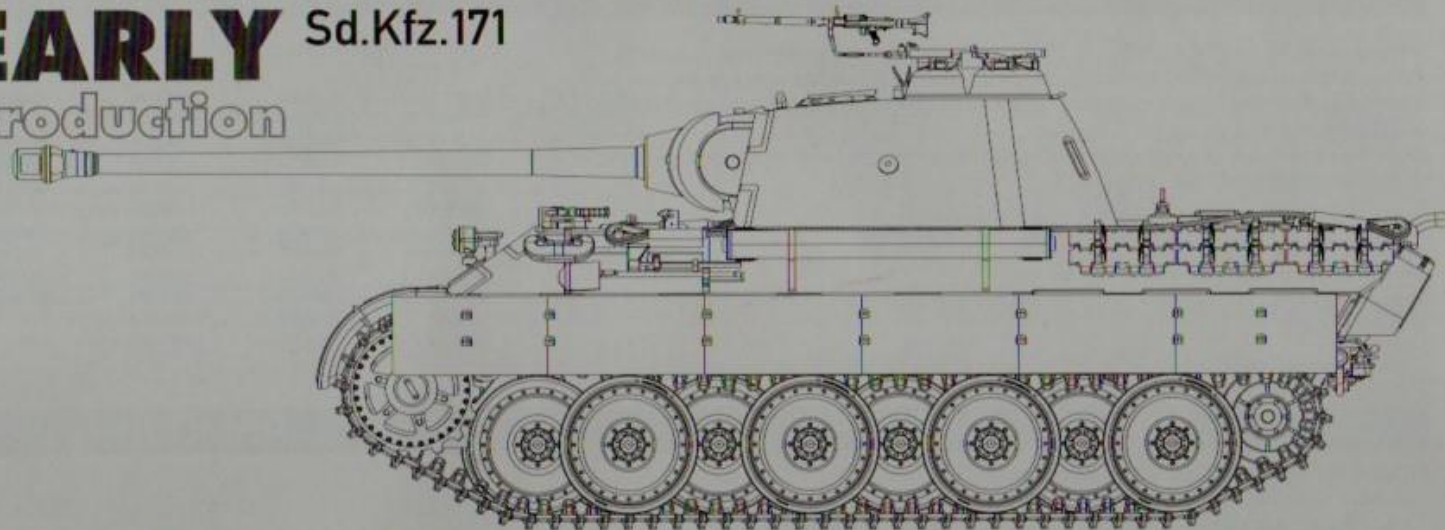


A PANTHER Full Interior Kit

EARLY Sd.Kfz.171 Production



When the German Panzer IV met the Russian T-34 in June 1941, they were humiliated by being outclassed by the T-34, so a group of weapons specialists were sent to the Russian front to analyze the T-34's design. With these results, Daimler-Benz (DB) and Maschinenfabrik Augsburg (MAN) were both tasked with providing designs for a 30-ton medium tank by April 1942. The MAN design was accepted in May 1942, mainly because it was able to use an existing turret designed by Rheinmetall-Borsig, saving valuable time needed to design a new turret required with the DB design.

The Panther design adapted many of its successful design characteristics from the T-34. These were mainly the sloped armor, and the wide tracks (to make maneuvering in snow conditions of the Eastern front easier). In September 1942 the first prototype was tested and immediately pressed into service. Despite delays in production due to the lack of manufacturing equipment of the hull, the first rushed deliveries to the German Army were completed in December, but the tank was plagued by technical problems. Despite these early issues, the tank was very successful, and due to its high demand on the Eastern Front, the original production of 250 tanks per month at the MAN plant, was increased to 600 tanks per month in January in 1943, which resulted in production also being allocated to the Daimler-Benz, Maschinenfabrik Niedersachsen-Hannover (MNH), and the Henschel & Sohn plants to meet production quotas. Due to Allied bombing throughout the war, the required production amount was never met and only 6,000 in total were built.

The 700hp Maybach V-12 petrol engine with its seven-speed AK 7-200 synchromesh gearbox designed by ZF, was fitted with a governor in late 1943 to minimize engine failures by limiting the engine revolutions to 2500 rpm and reducing its power to 600 hp. This reduced the Panthers top speed from 55 km/h to 46 km/h. The Panther had a five-man crew: the driver, radio operator, gunner, loader, and commander.

The Panther was armed with a semi-automatic 75mm Rheinmetall-Borsig KwK 42 main gun, and could carry 79 rounds of three different types of ammunition: Armour-Piercing Capped Ballistic Capped, (APCBC), High-Explosive (HE) and Armour-Piercing Composite Rigid (APCR). The 75mm cannon on the Panther was one of the most powerful cannons of WWII, and had even greater success at piercing enemy armour than the Tiger I's 88mm cannon. The Panther was also equipped with two 7.92mm Maschinengewehr 34 (MG-34) for close quarter fighting; one was mounted coaxially with the main cannon and the second was mounted in the front sloping armour and operated by the radio operator. In later production upgrades, a mount was attached to the commander's cupola so a third MG-34 could be mounted for anti-aircraft purposes.

The frontal armor of the Panther consisted of 80mm homogeneous steel plate sloped back at 55 degrees from the vertical, interlocked & welded for strength. This made the Panther's frontal armor less penetrable to Allied and Soviet tanks. The front of the turret was covered by a 100mm cast mantlet in the shape of a semi-circle, with a curved shape meant to deflect incoming shells. To keep weight down, sacrifice was made to its side armor, which was on average 40mm to 50mm thick, leaving the Panther vulnerable to attacks from the sides by Allied and Soviet tank and anti-tank guns.

03.02.2097

READ BEFORE ASSEMBLY

CAUTION

- Read carefully and fully understand the instructions before commencing assembly. A supervising adult should also read the instructions if a child assembles the model.
- When assembling this kit, tools including knives used. Extra care should be taken to avoid personal injury.
- Keep out of reach of small children. Children must not be allowed to suck any part, or pull vinyl bag over their heads.



Optional



Fill Holes



Be Careful



Remove



Drill



Instant Glue
for Metal

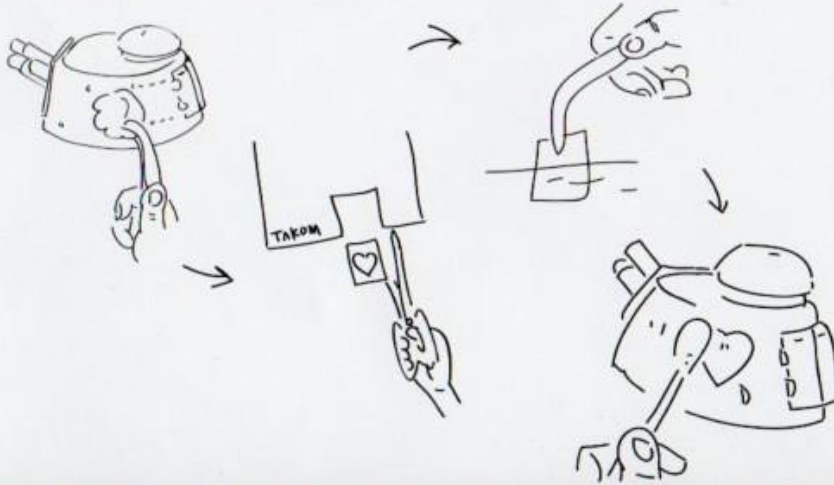
PAINTS REQUIRED

Color info and profiles by Mig Jimenez

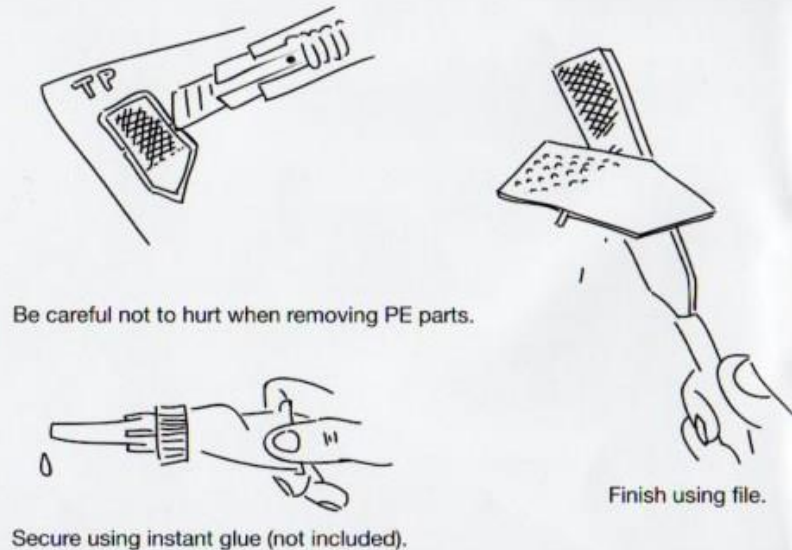
A.MIG 033 Rubber & Tires	A.MIG 035 Dark Tracks	A.MIG 036 Old Wood	A.MIG 038 Old Wood
A.MIG 045 Gun Metal	A.MIG 040 Medium Rust	A.MIG 093 Crystal Red	A.MIG 002 Olivgrun Opt.2
A.MIG 010 Dunkelgelb Mid war	A.MIG 046 Cremeweiss	A.MIG 024 Washable White Camo	A.MIG 017 Matt Black
A.MIG 192 Polished Metal	A.MIG 032 Satin Black	A.MIG 014 Rotbraun	A.MIG 042 Old Rust
A.MIG 008 Dunkelgrau	A.MIG 101 Dunkelgelb	A.MIG 190 Old Brass	A.MIG 015 Schokobraun
A.MIG 194 Matt Aluminum	A.MIG 218 Schwartzgrau	A.MIG 096 Crystal Periscope Green	

APPLYING DECALS

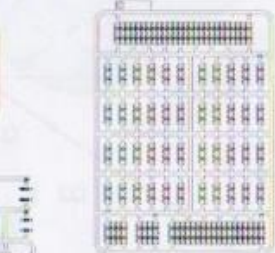
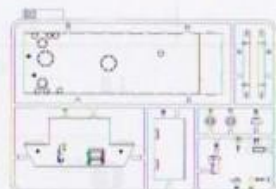
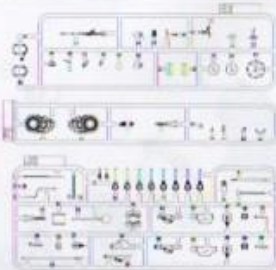
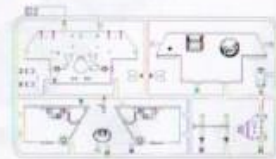
1. Clean the model surface with a wet cloth.
2. Cut out each decal design from sheet, and dip it in tepid water for 15-20 sec.
3. Hold the backing sheet edge and slide decal onto the model.
4. Move decal into position by wetting decal with finger.
5. Press decal gently down with a soft cloth until excess water and air bubbles are gone.



REMOVING PE



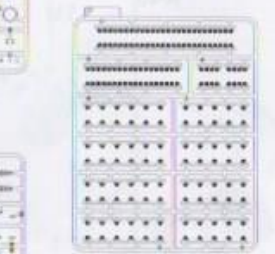
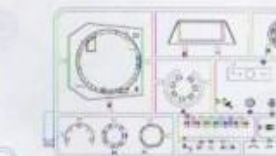
PARTS



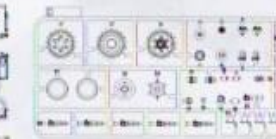
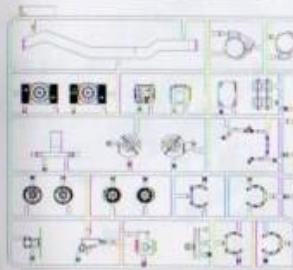
X2



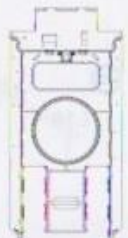
X2



X2



X2

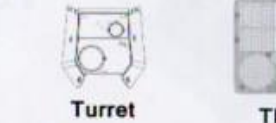
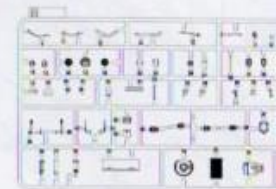


Upper Hull



Z1

Z2



Turret



TP

Cable

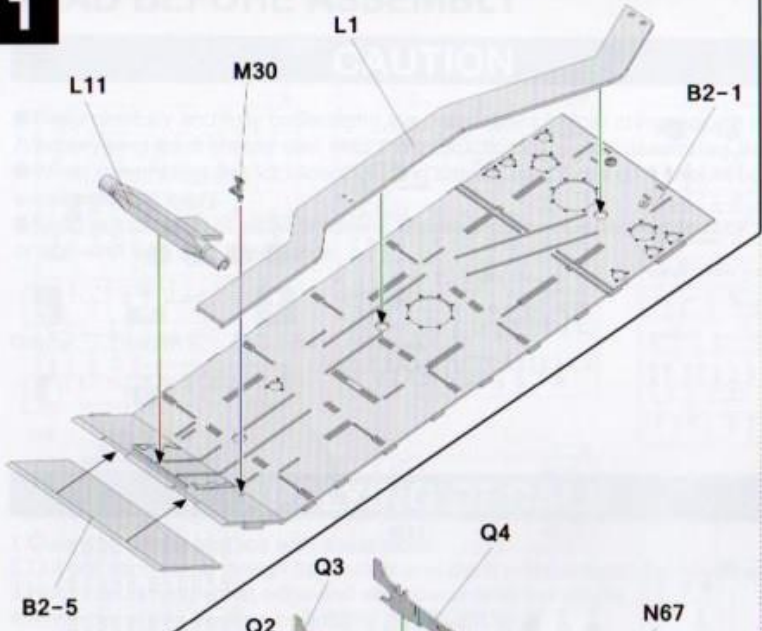
Z3



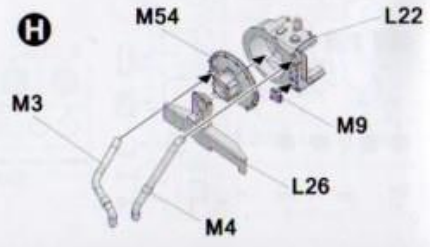
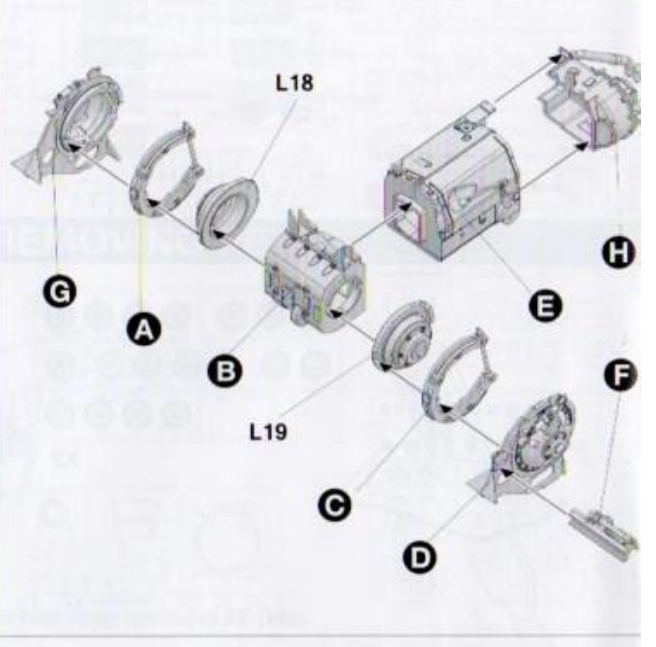
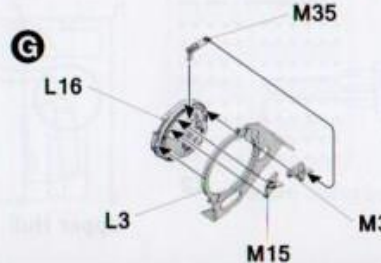
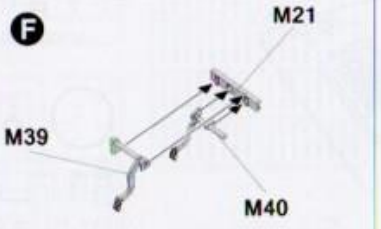
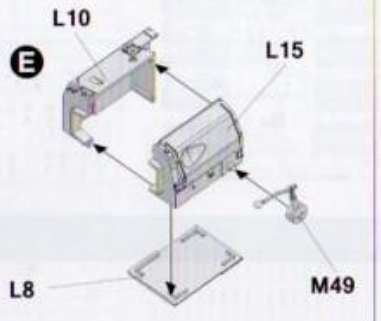
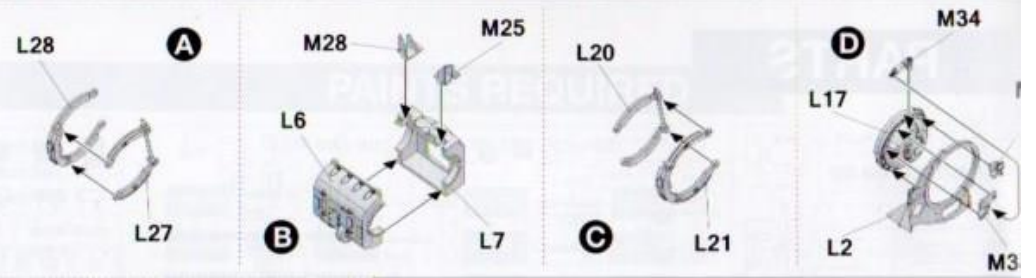
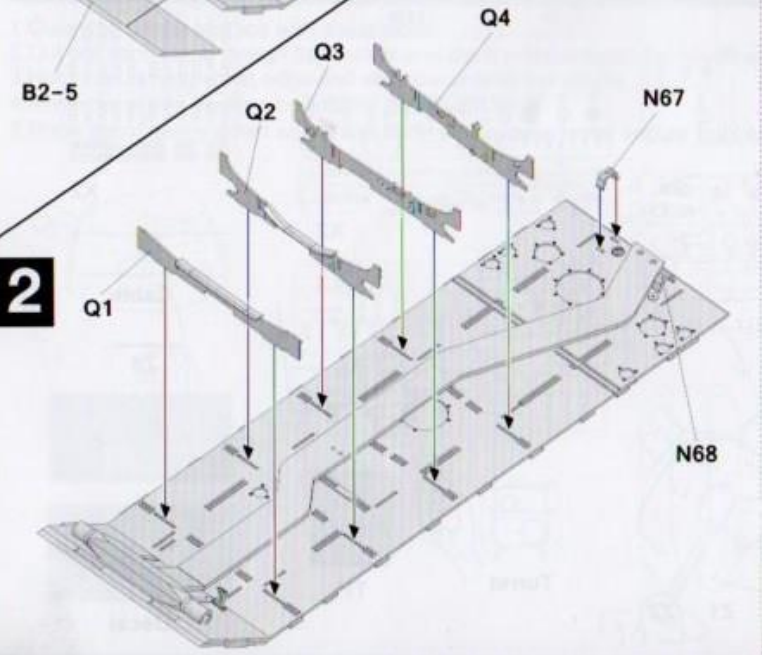
221 233 701 701 701
221-233 18 18 18
221 233 ++

Decal

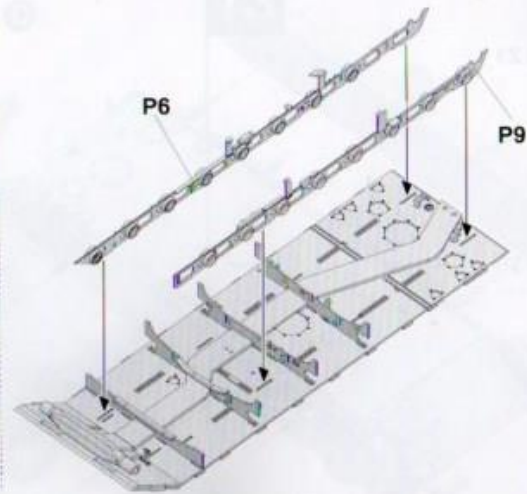
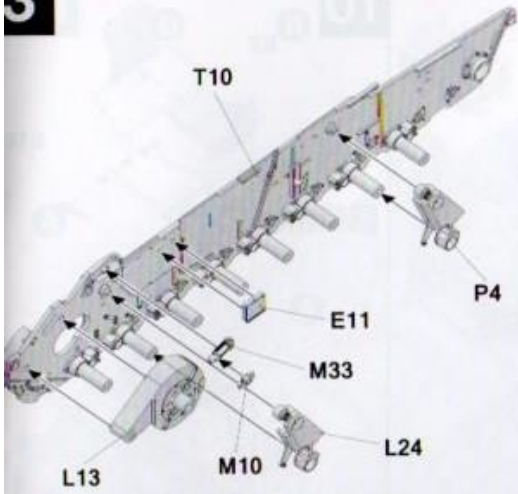
1



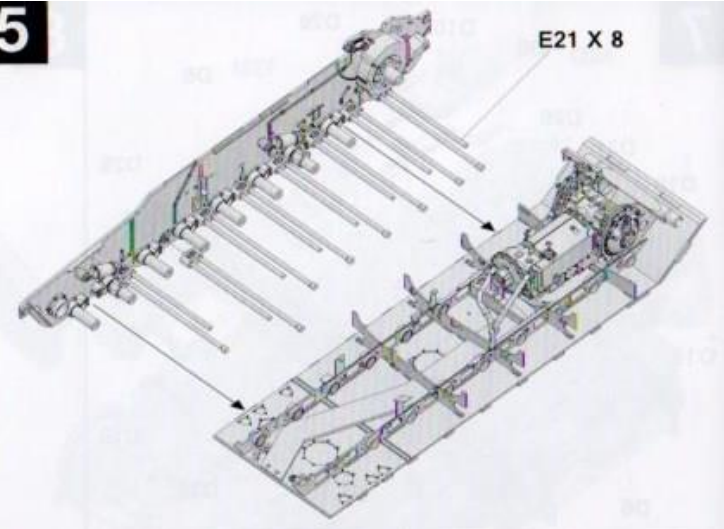
2



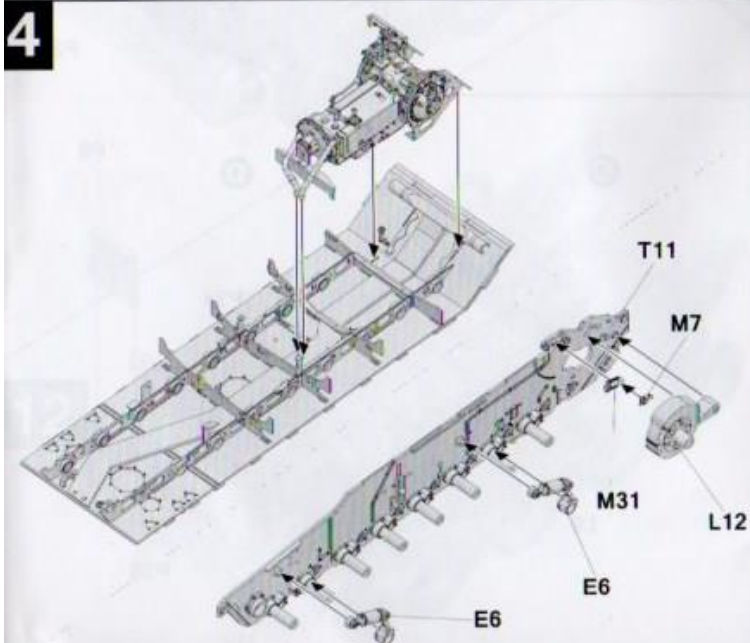
3



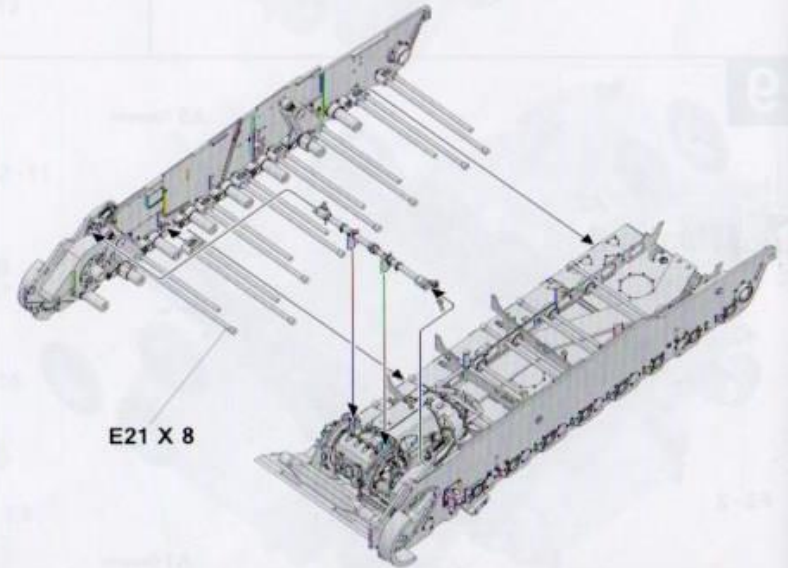
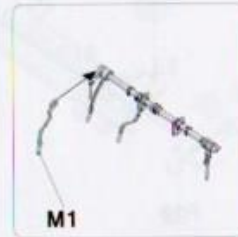
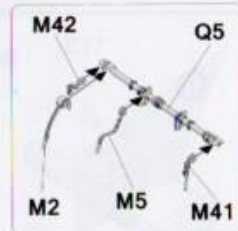
5

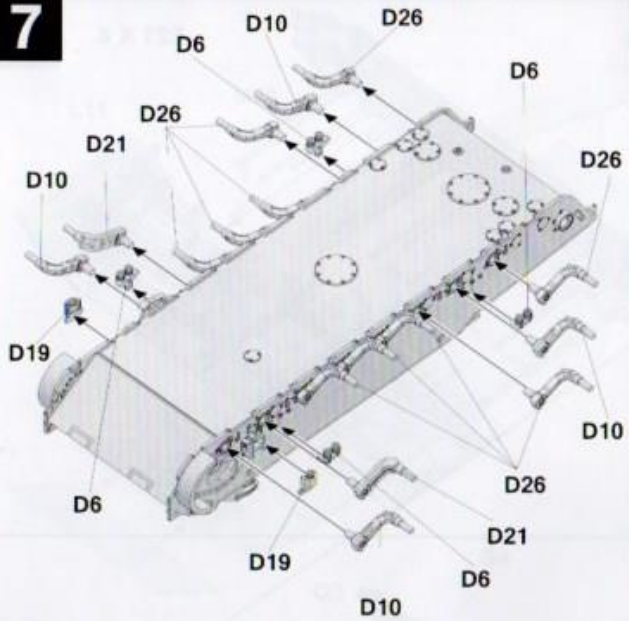
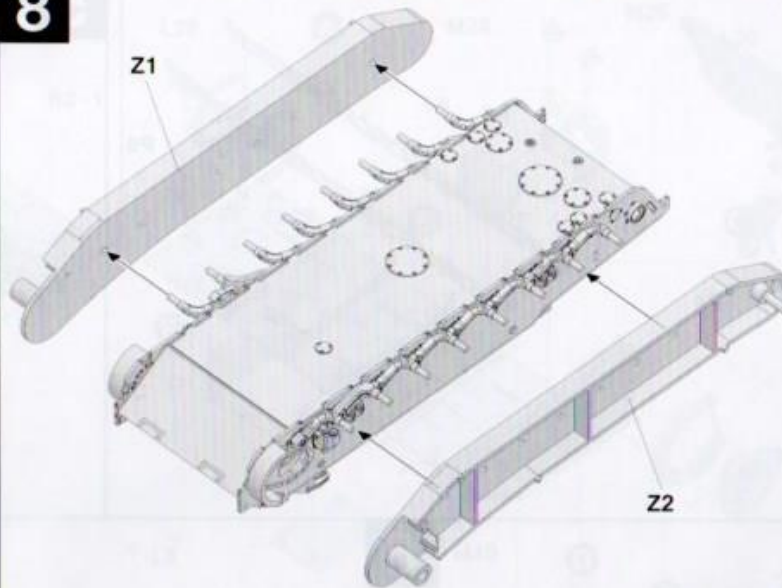
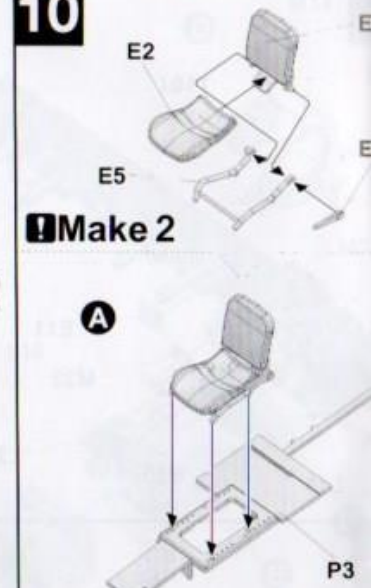
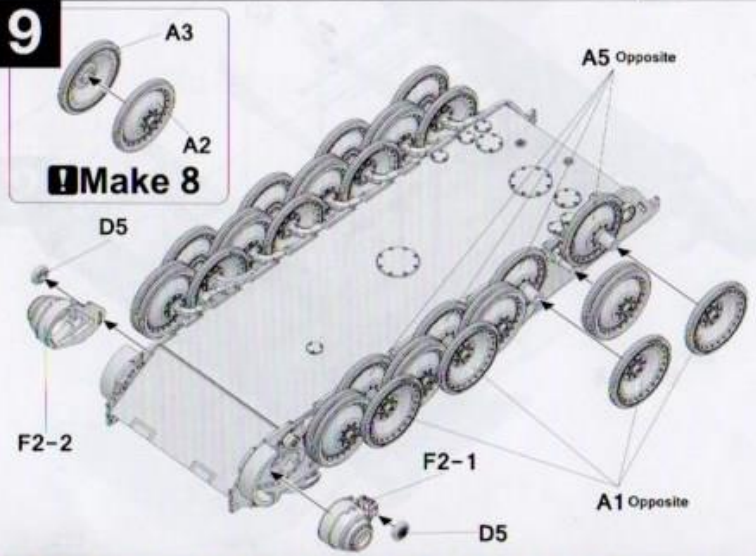
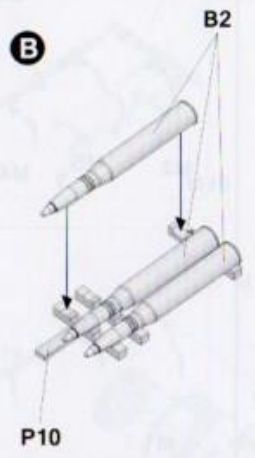
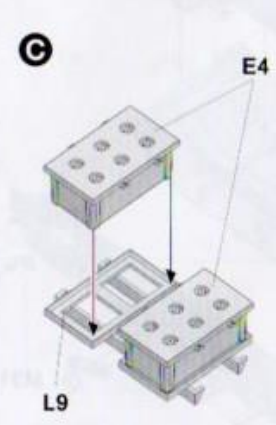
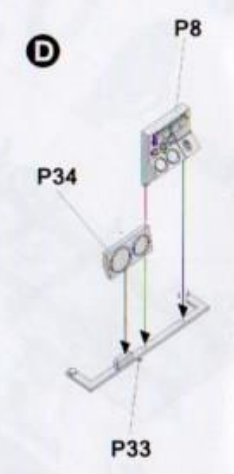


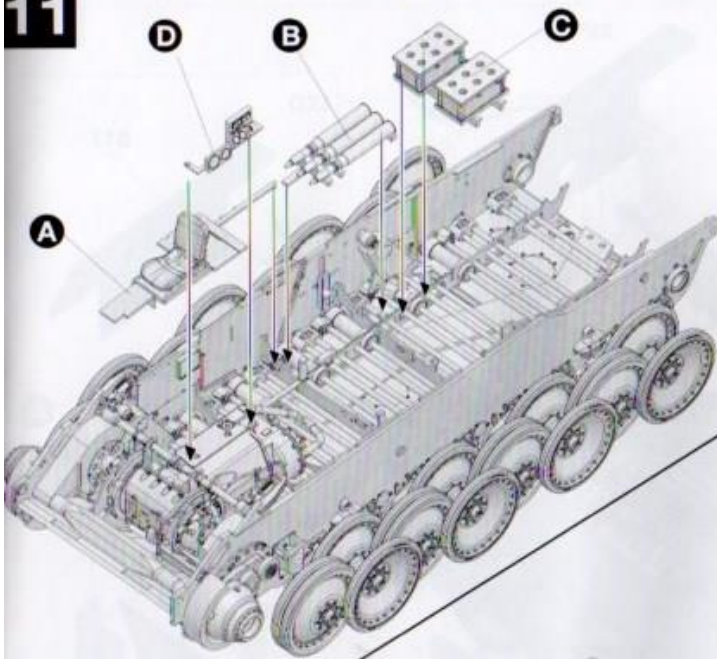
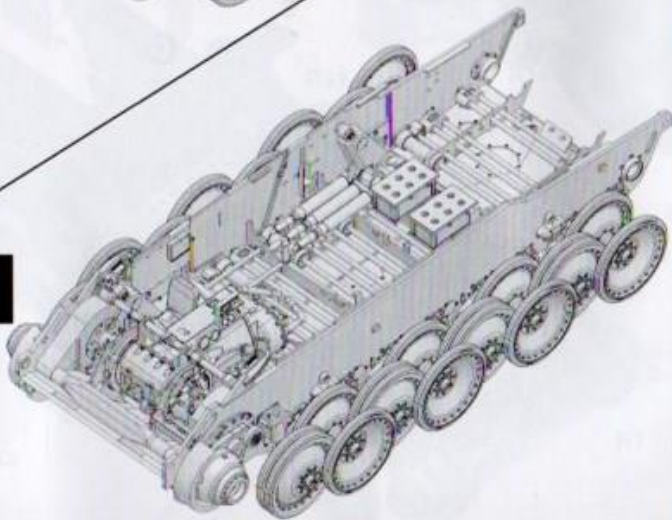
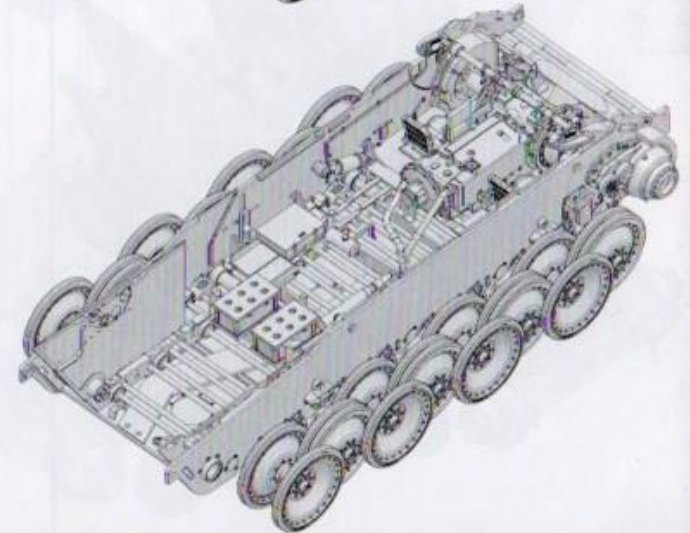
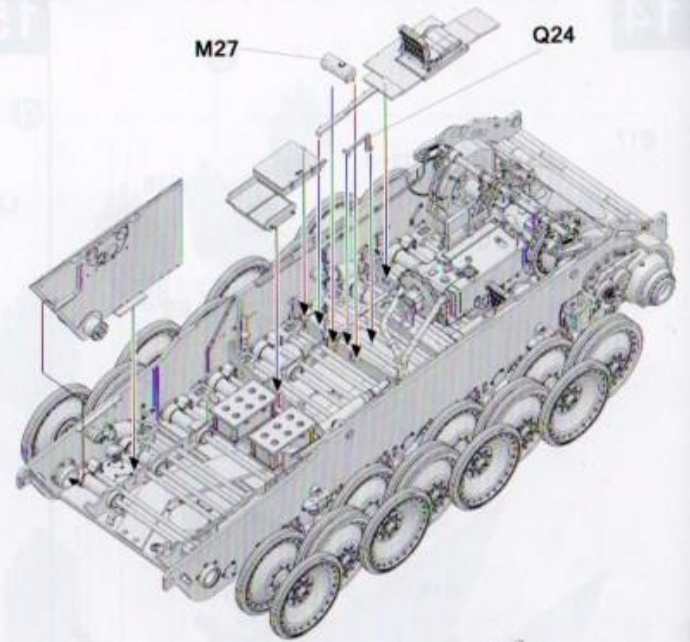
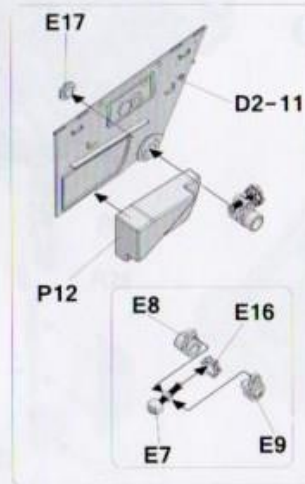
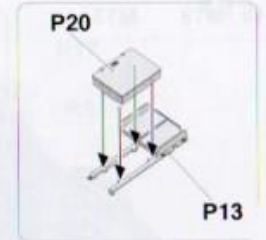
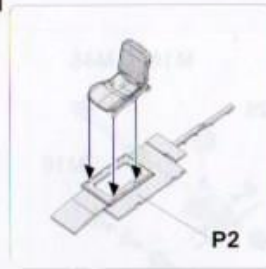
4



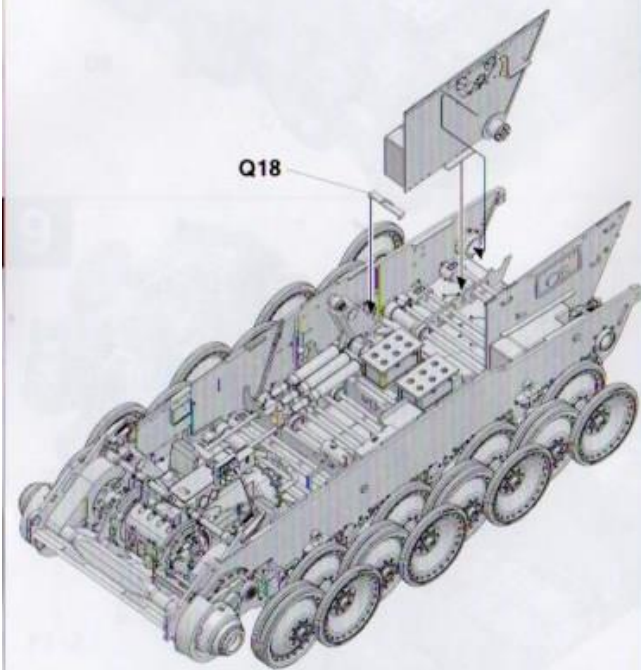
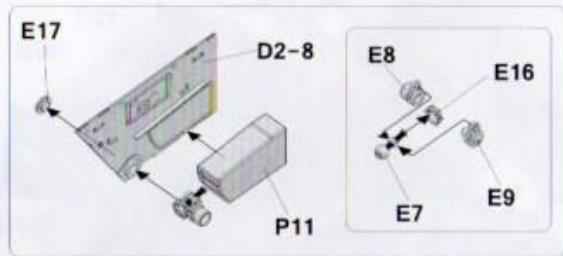
6



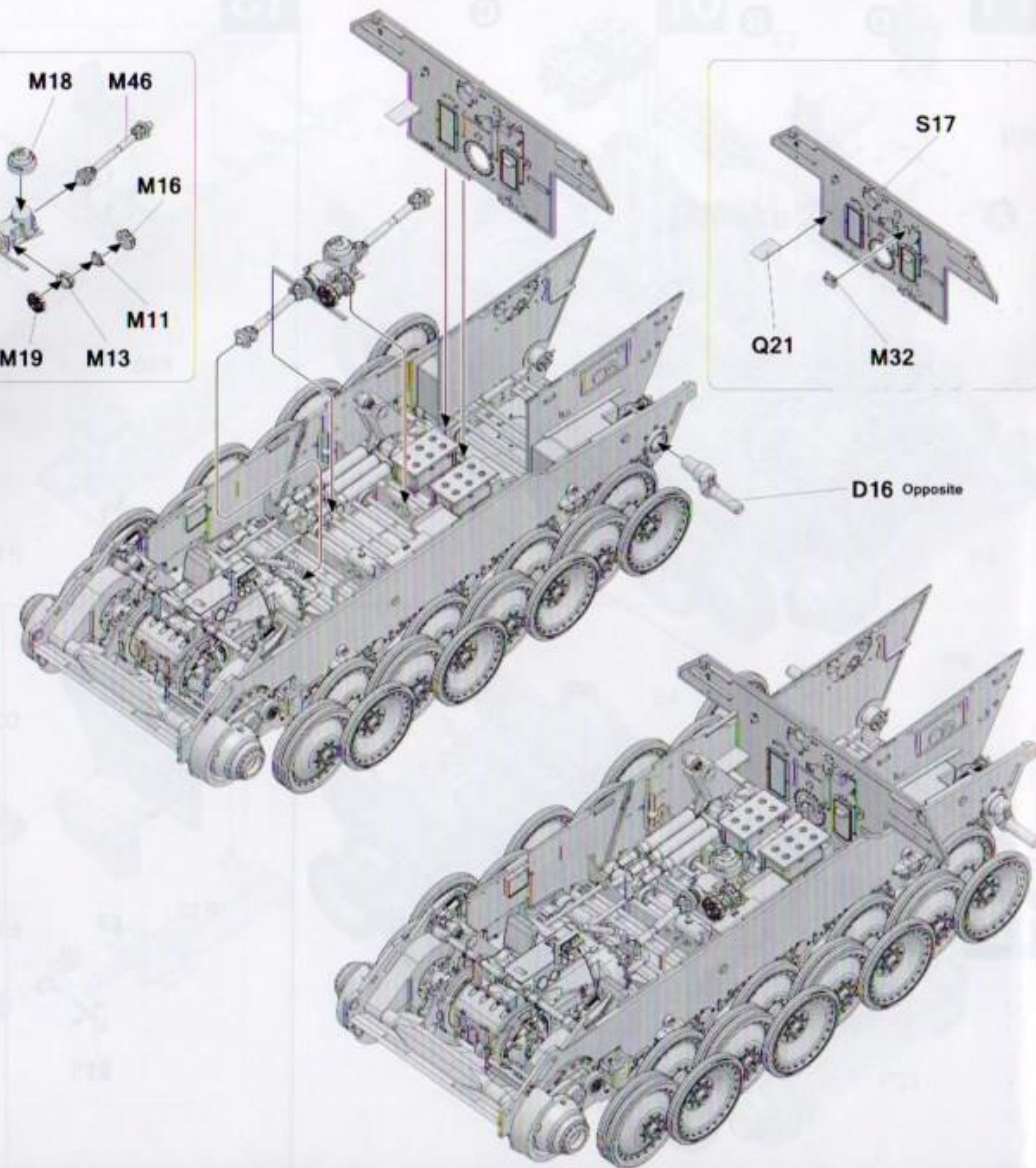
7**8****10****9****B****C****D**

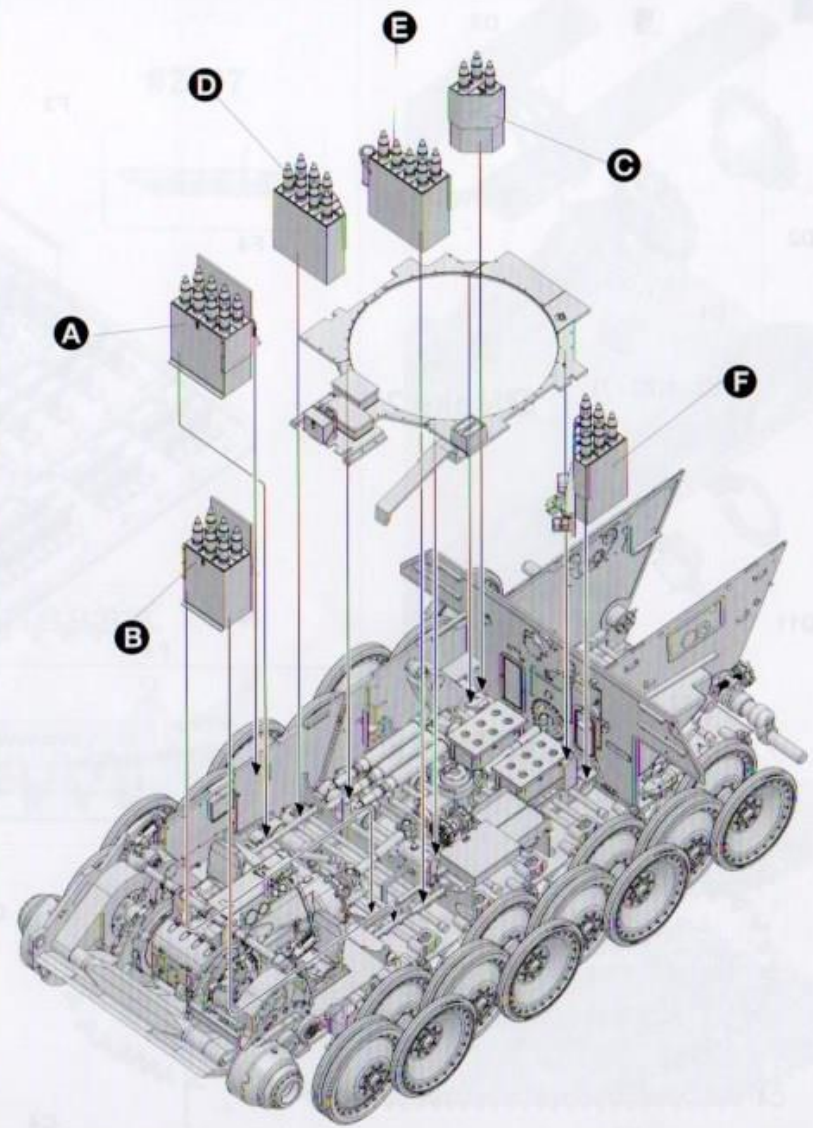
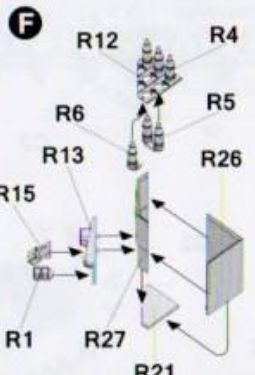
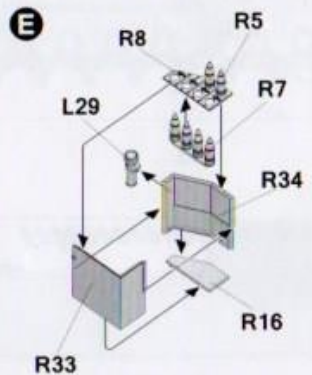
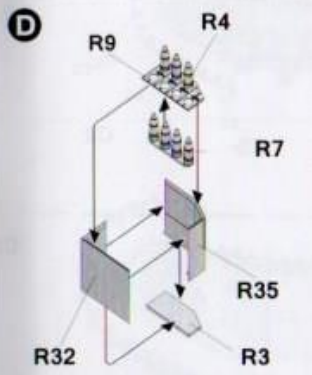
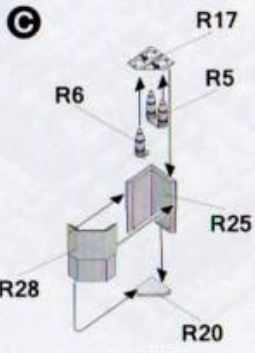
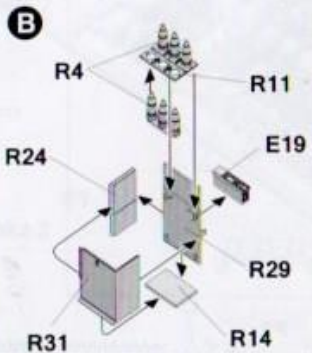
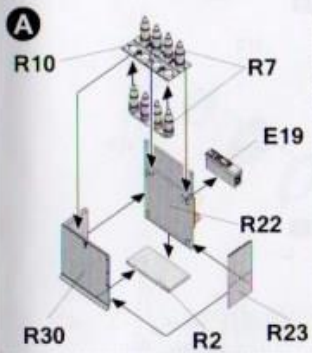
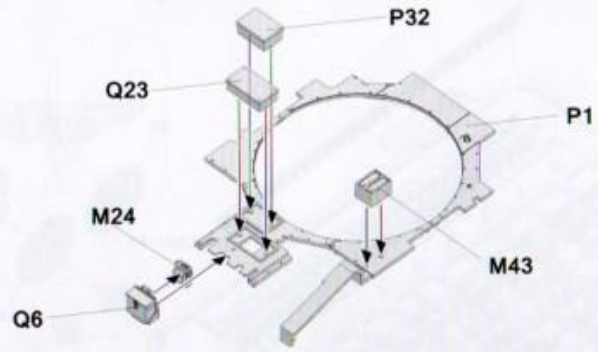
11**12****13**

14

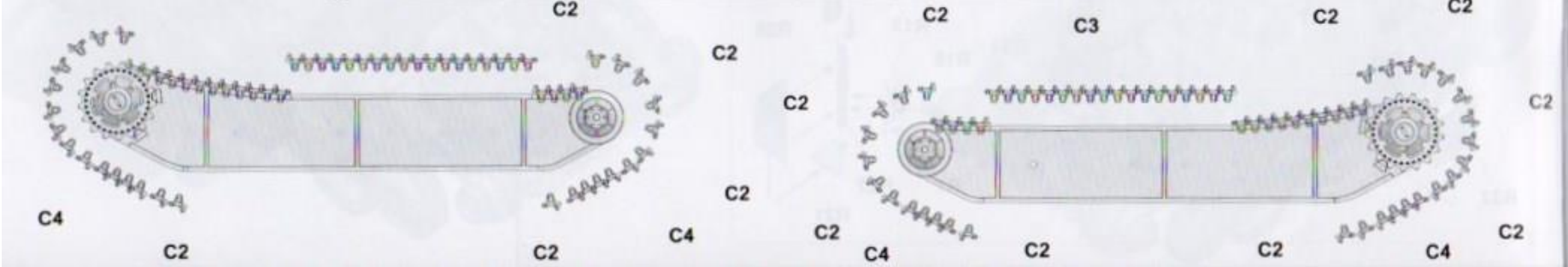
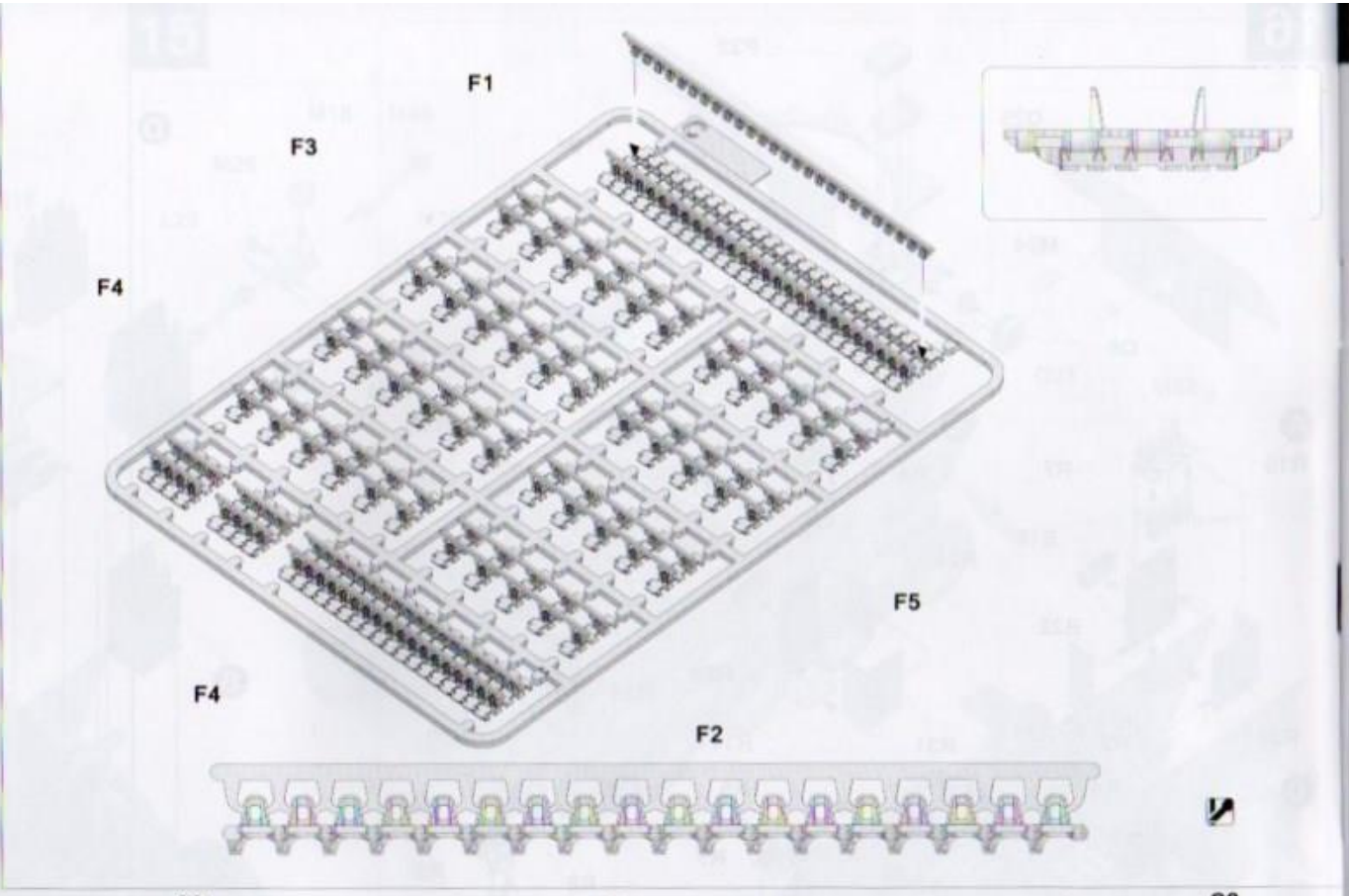
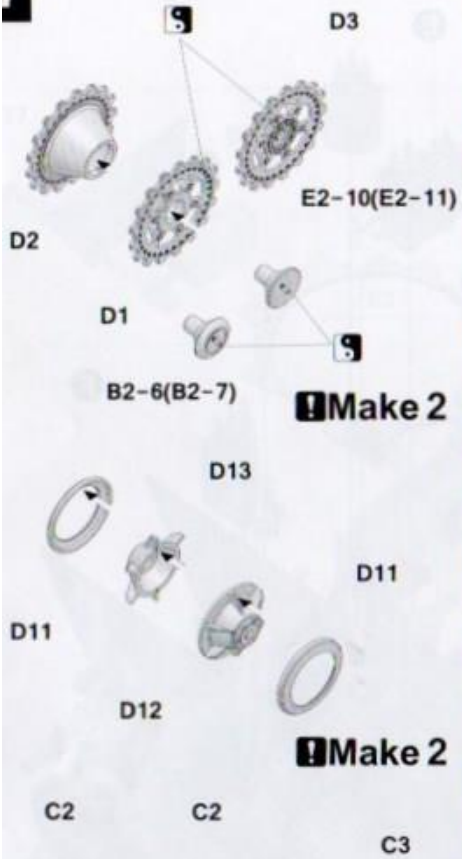


15





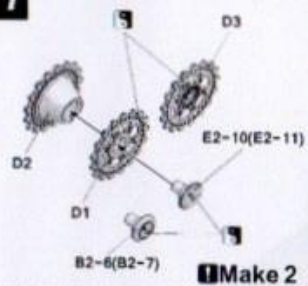
7



CORRECTION

CORRECTION

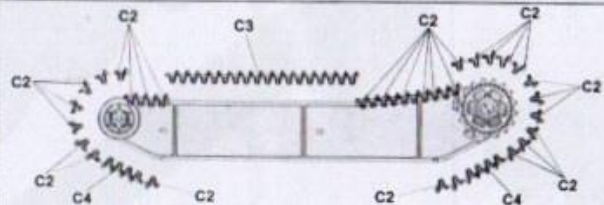
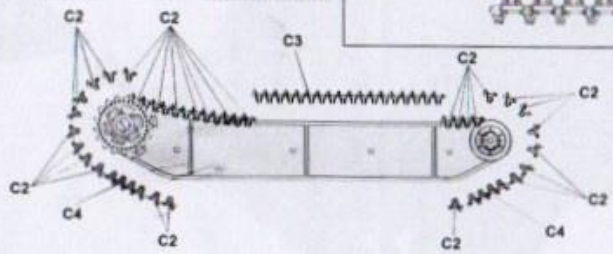
17



Make 2



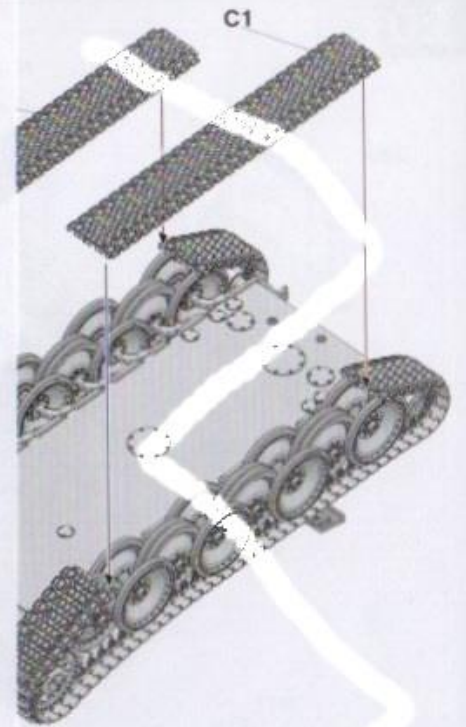
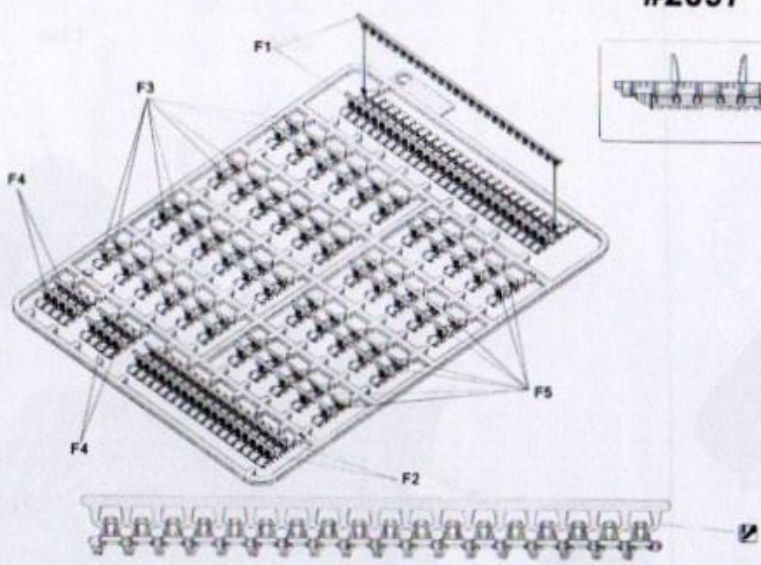
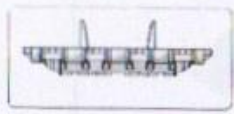
Make 2



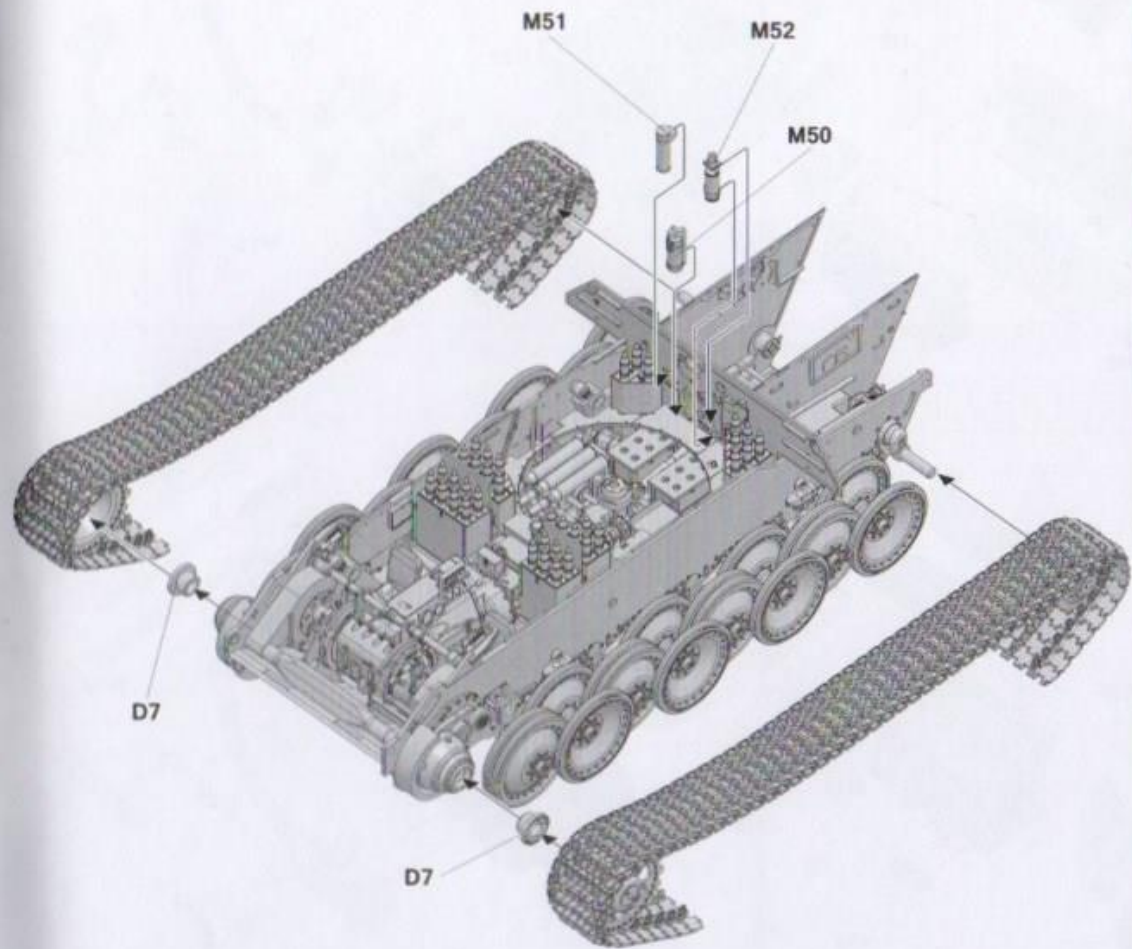
D7



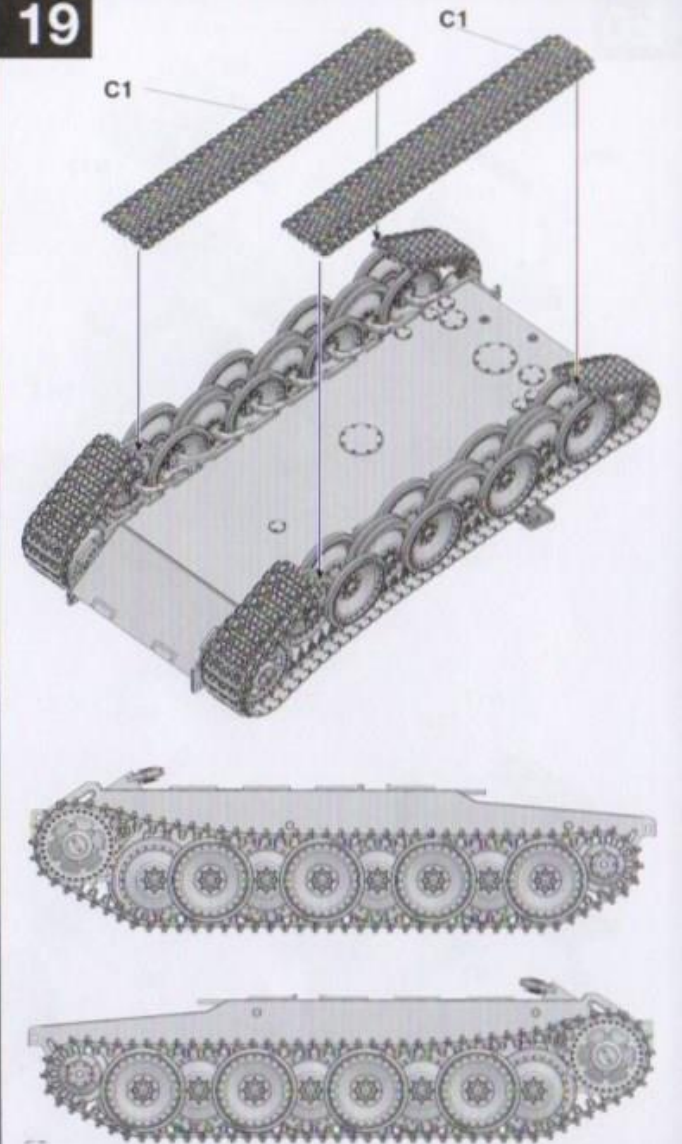
#2097

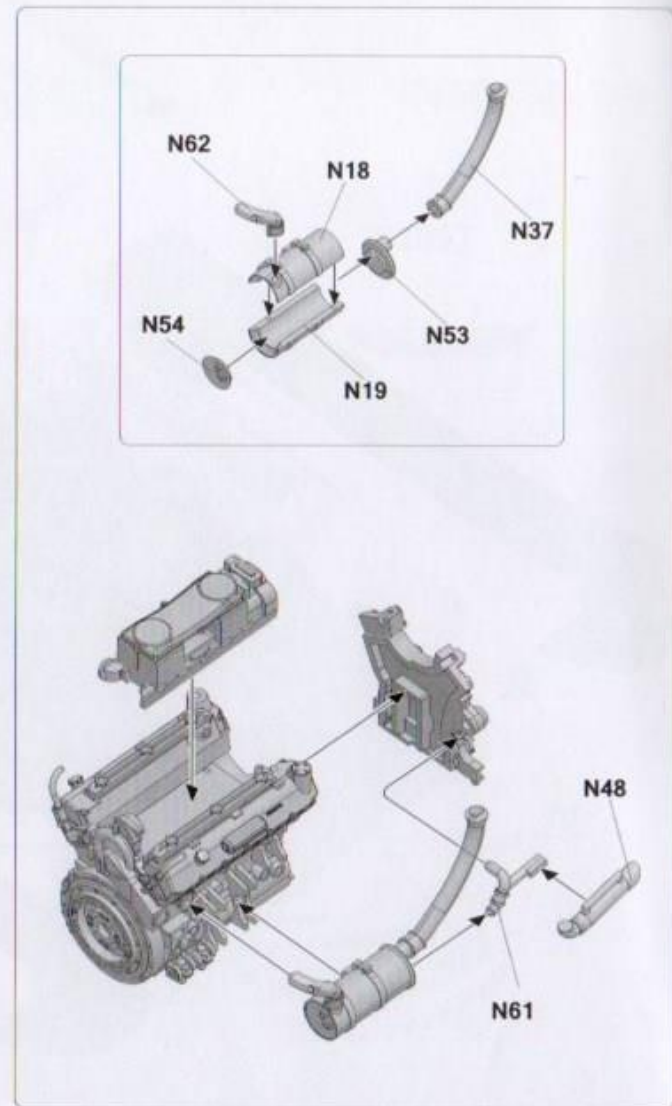
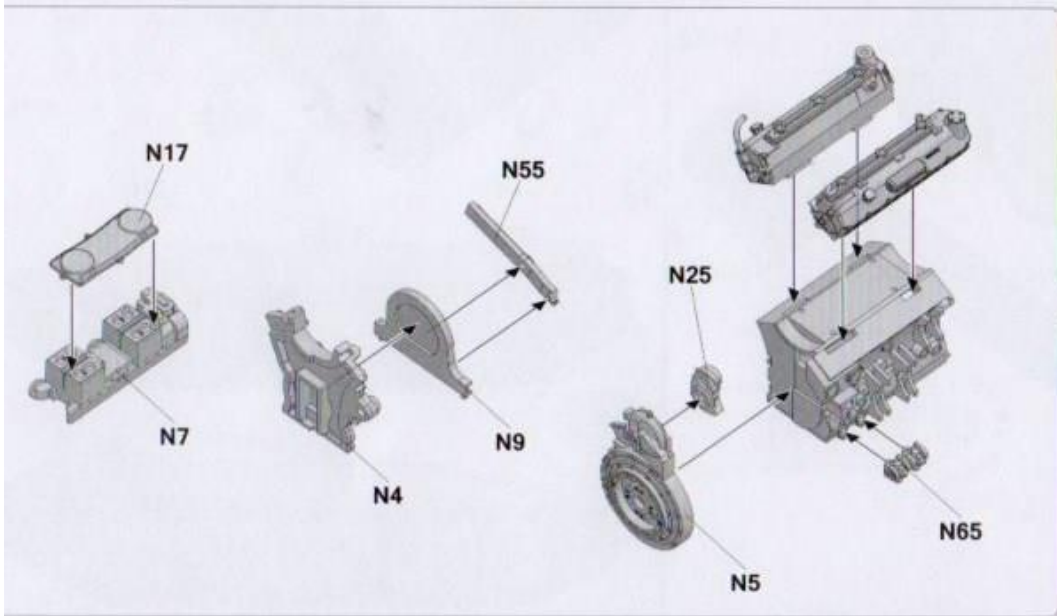
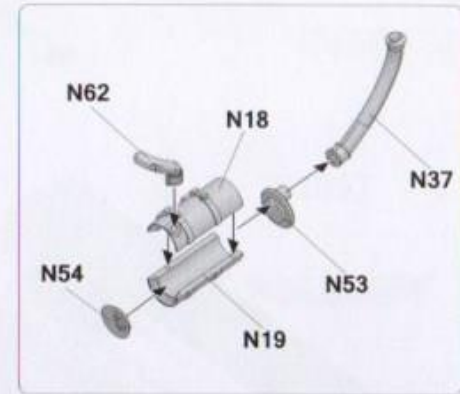
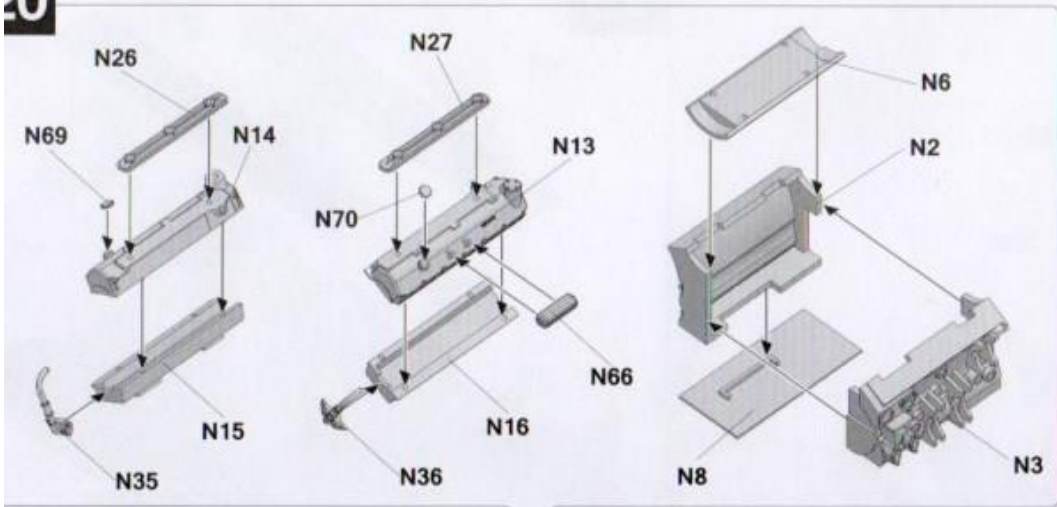


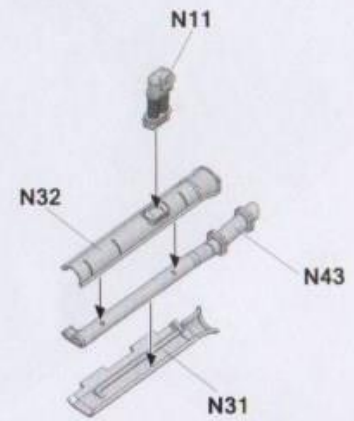
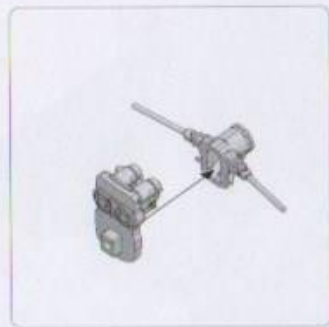
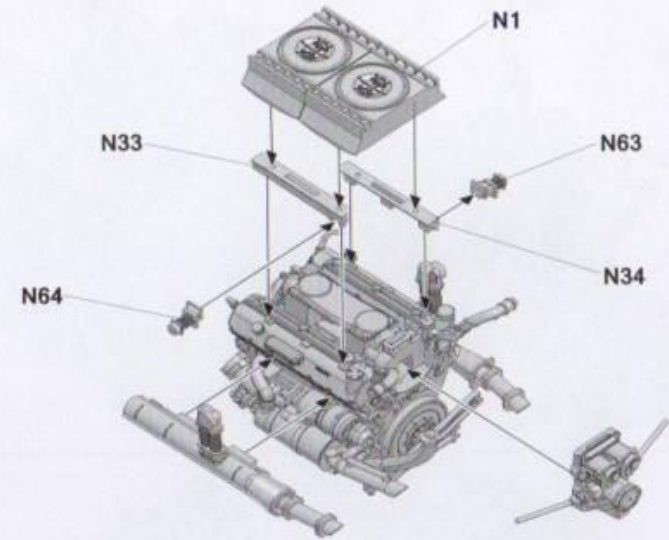
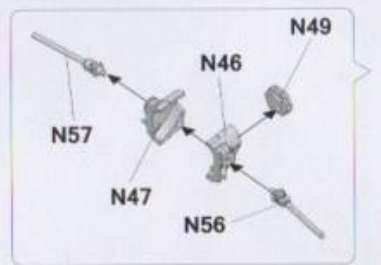
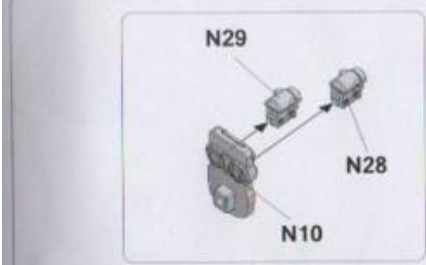
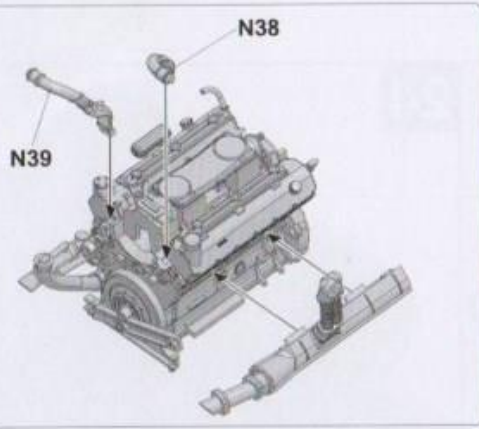
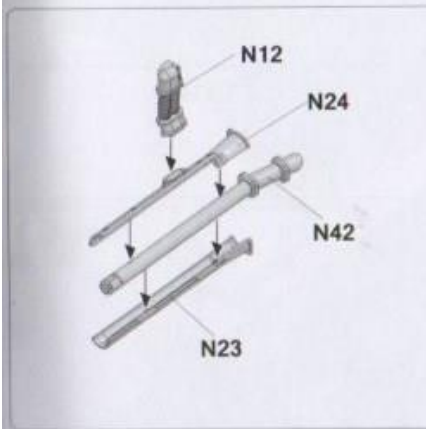
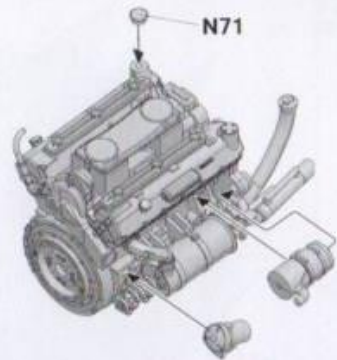
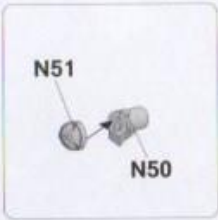
18



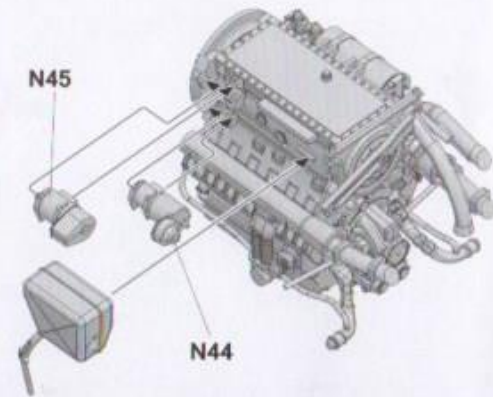
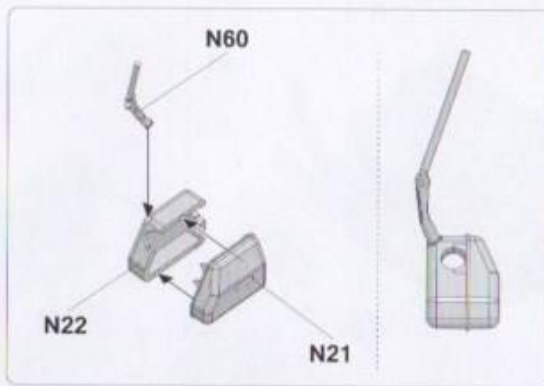
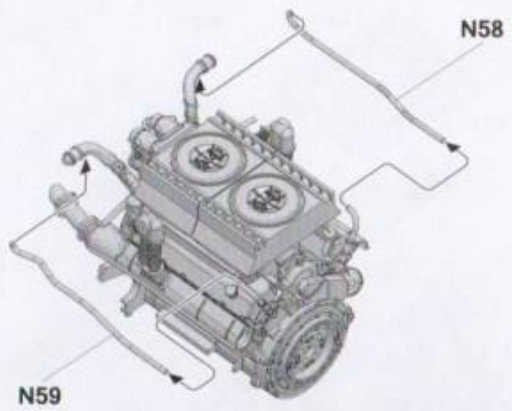
19



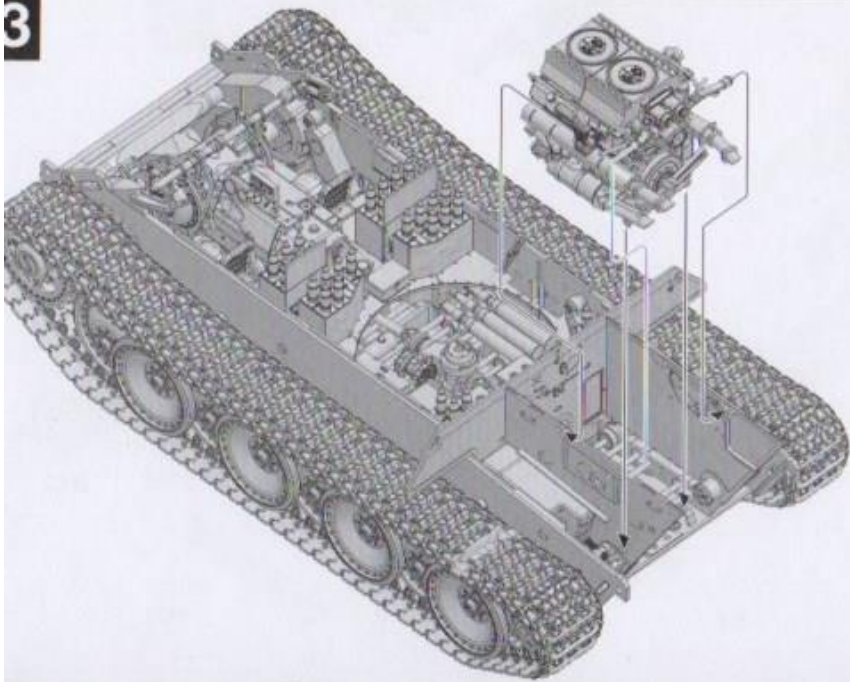




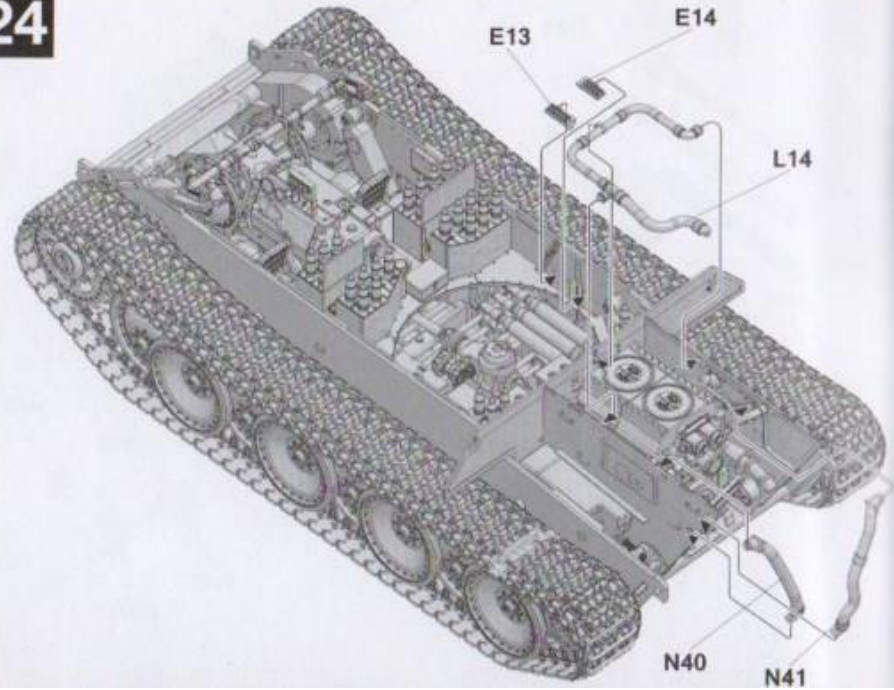
2



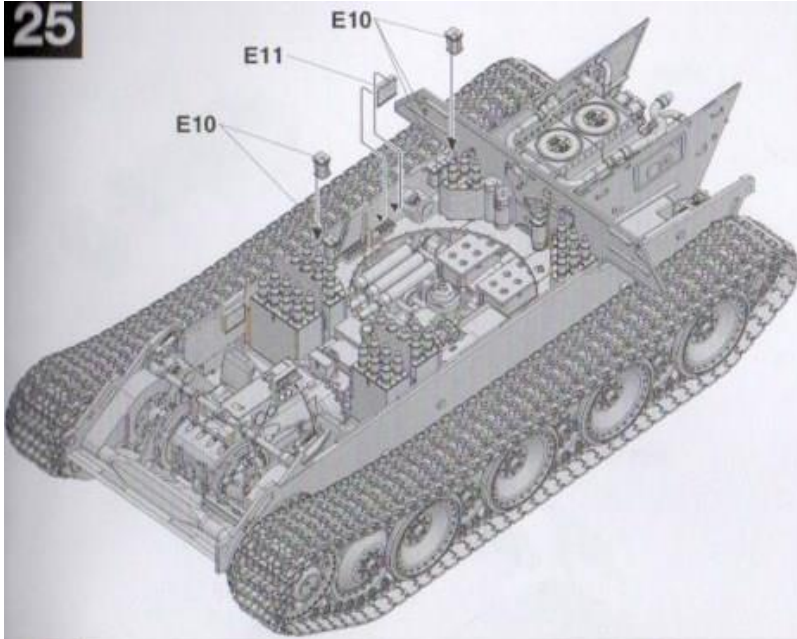
3



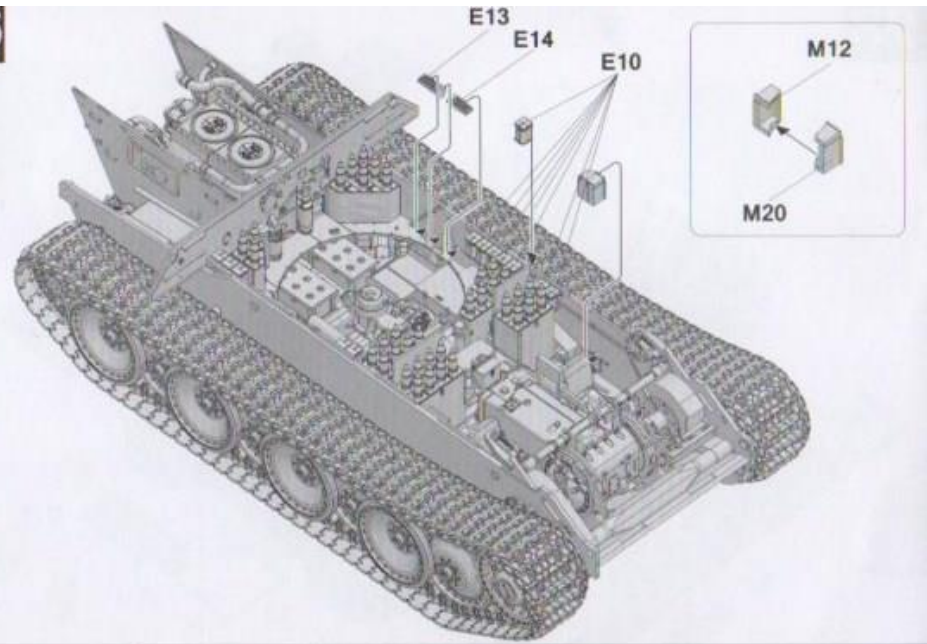
24



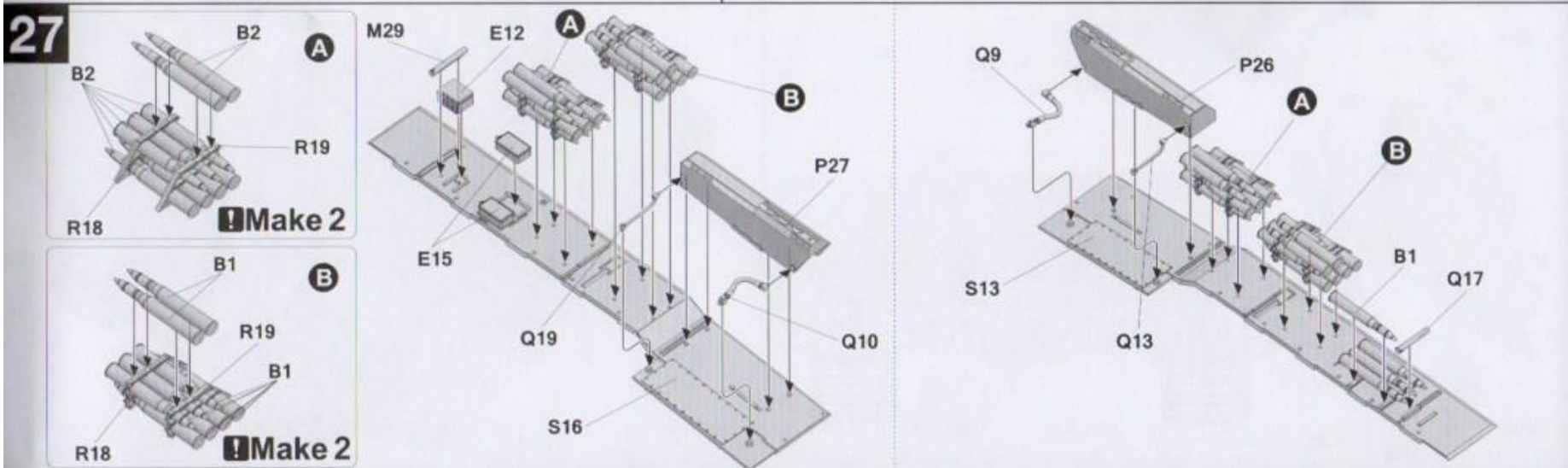
25



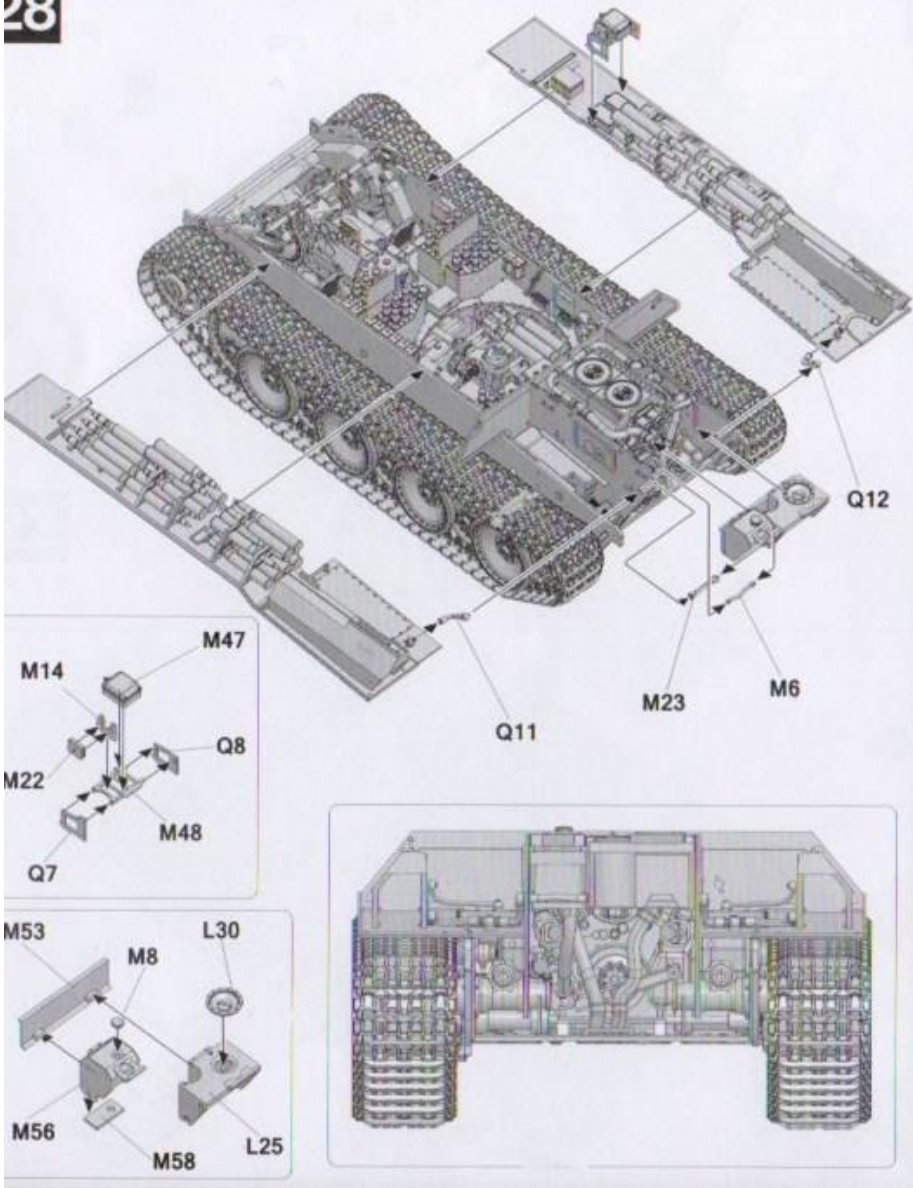
26



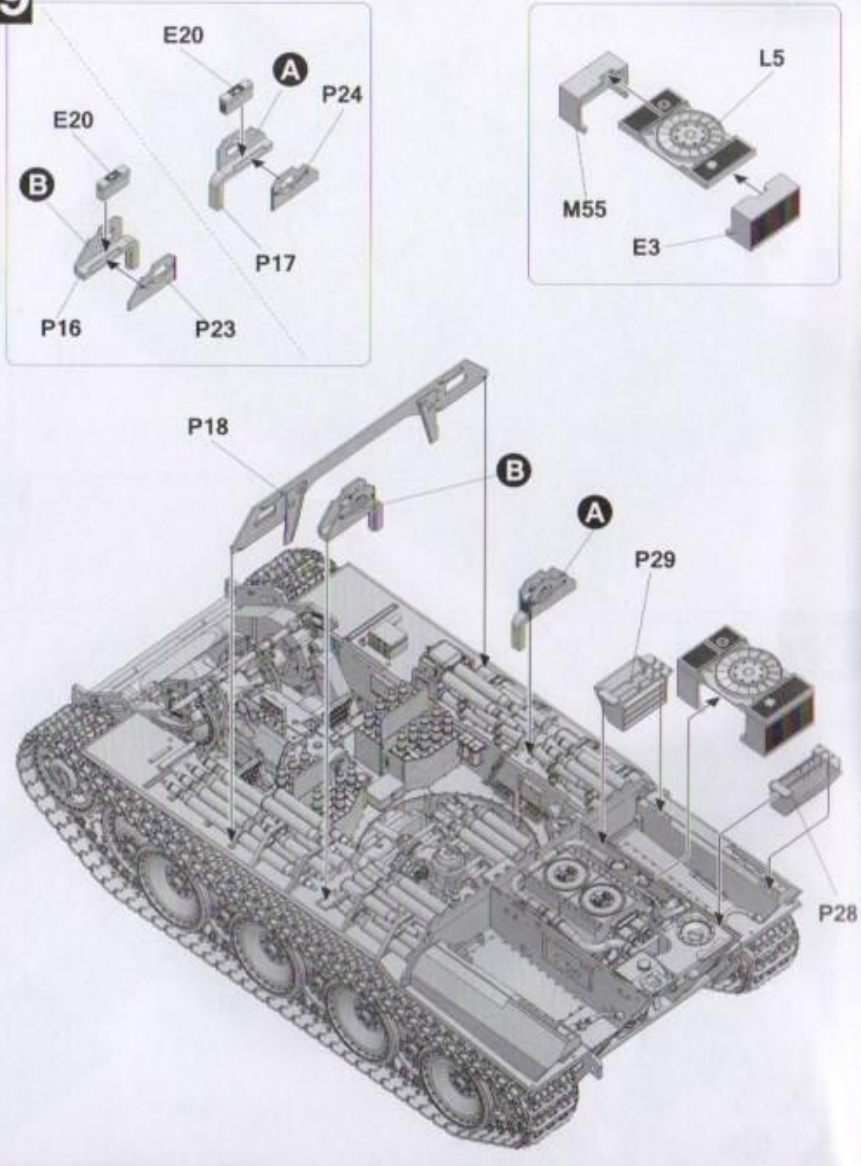
27



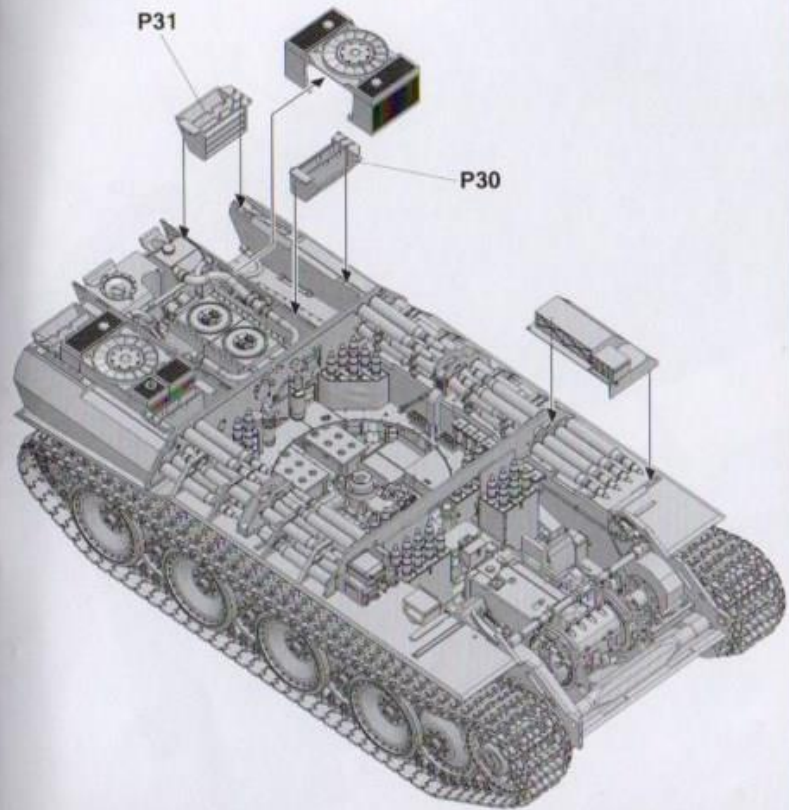
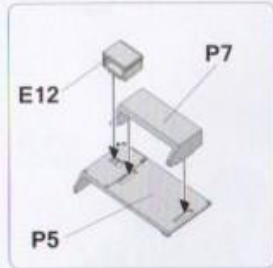
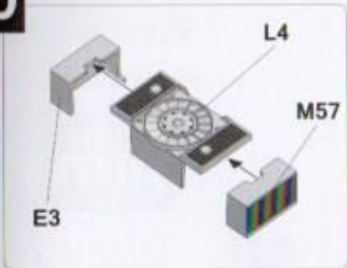
28



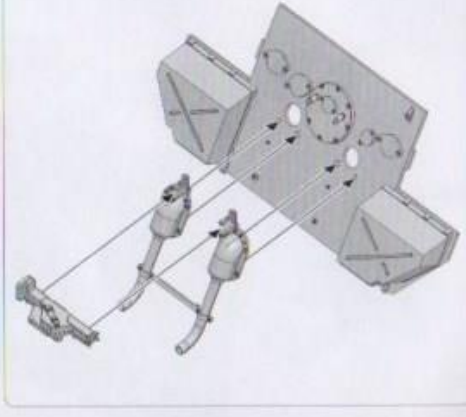
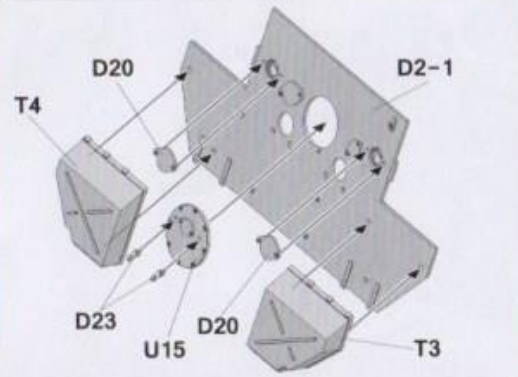
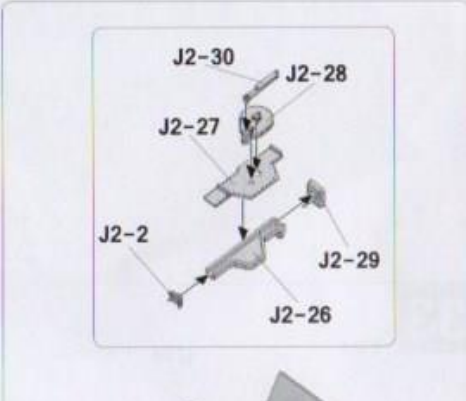
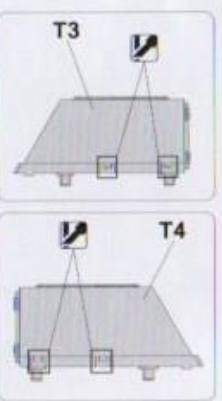
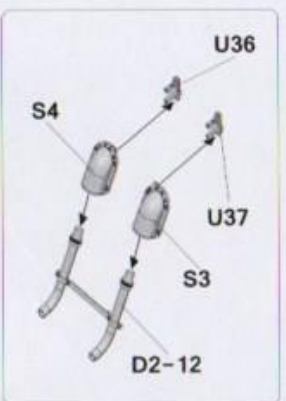
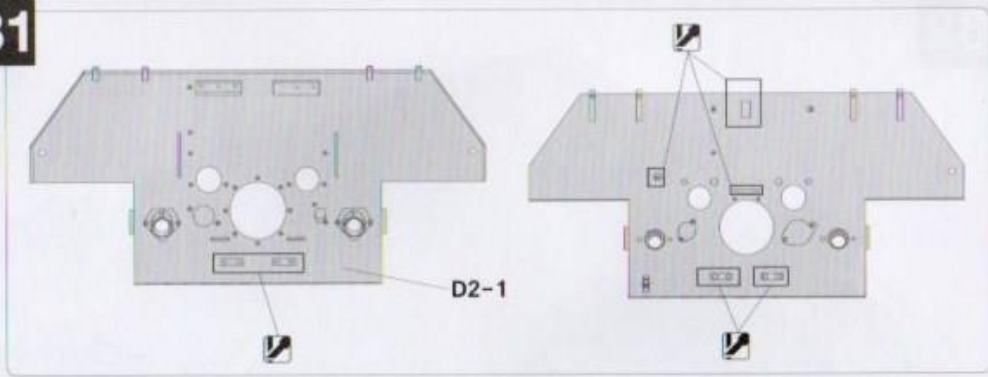
29



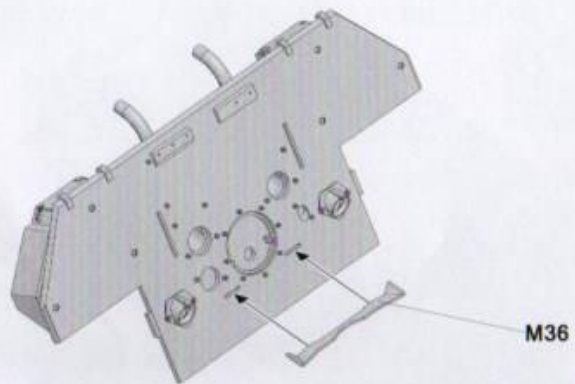
30



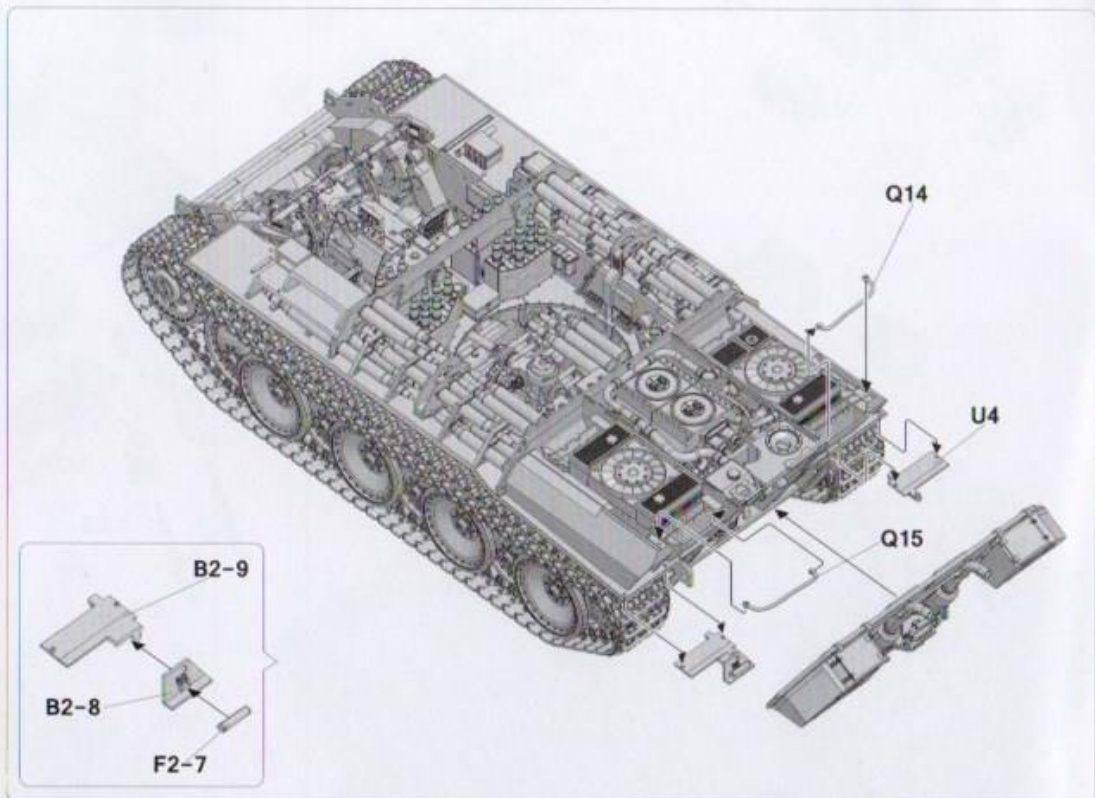
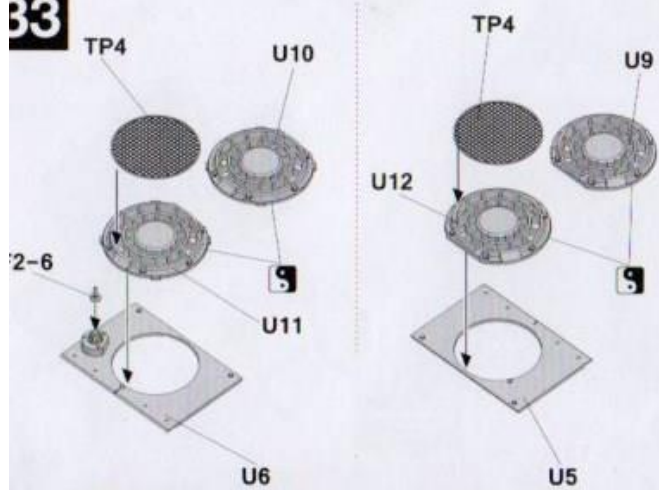
31



32



33



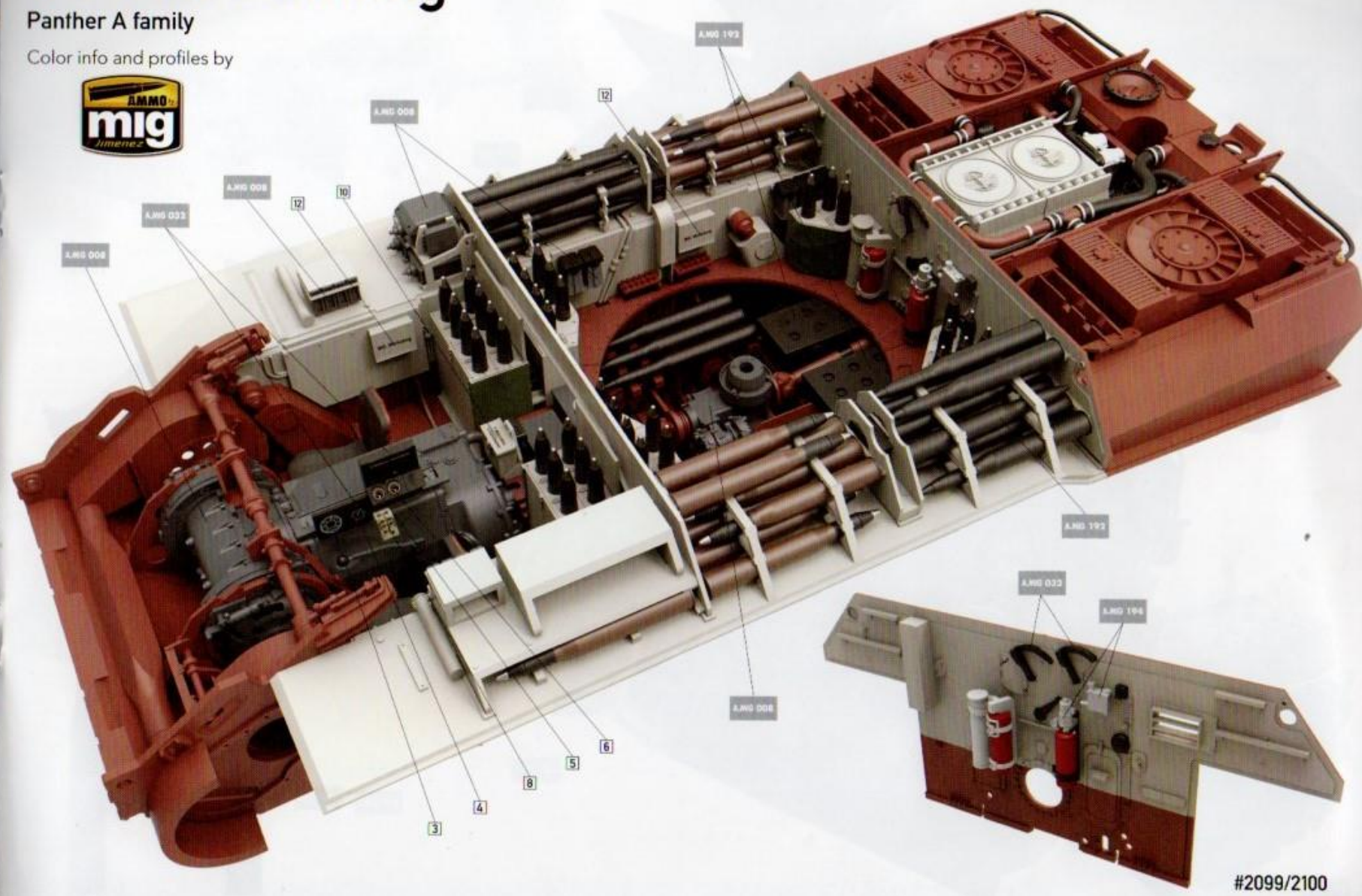
Interior Painting

Panther A family

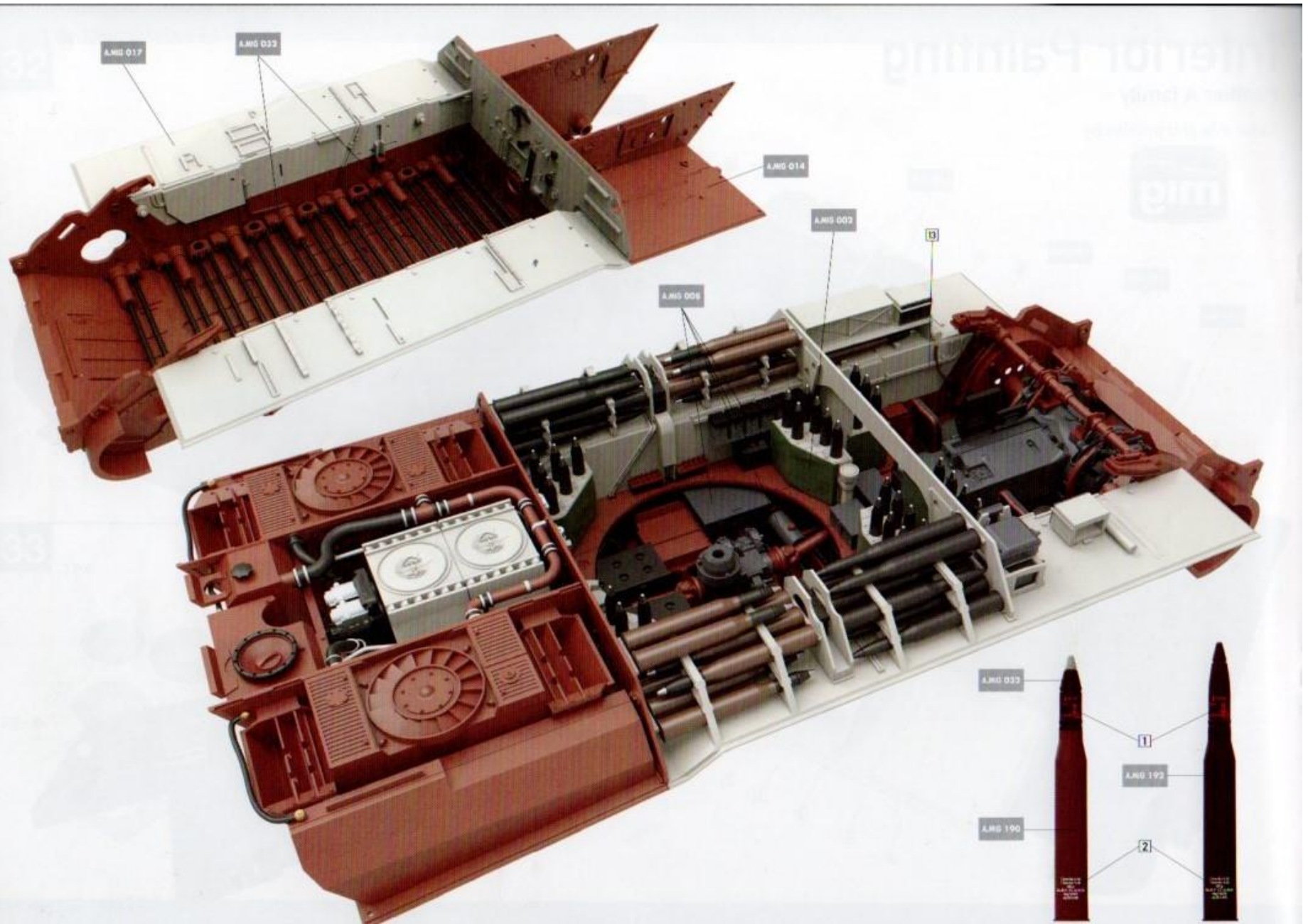
Color info and profiles by

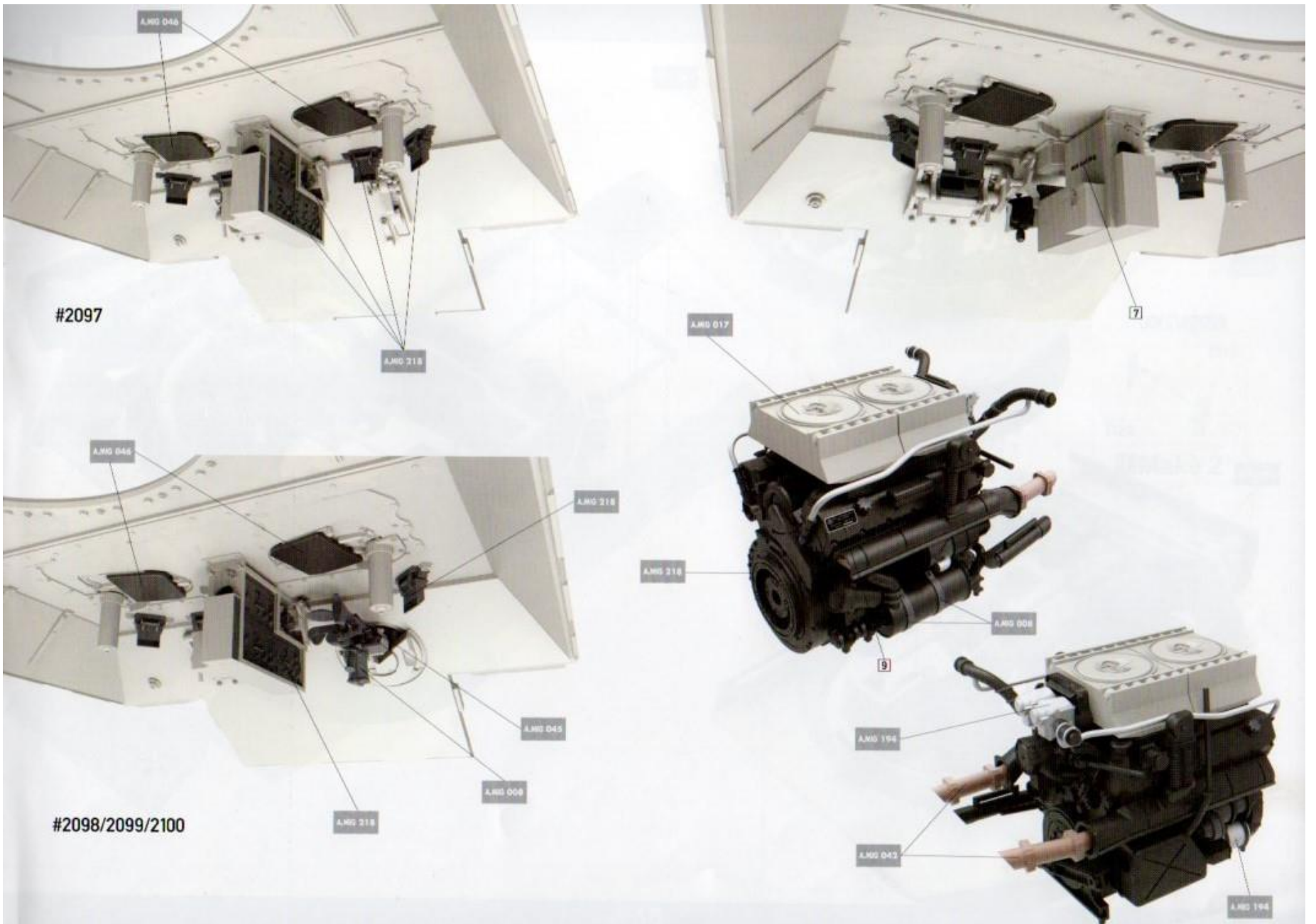


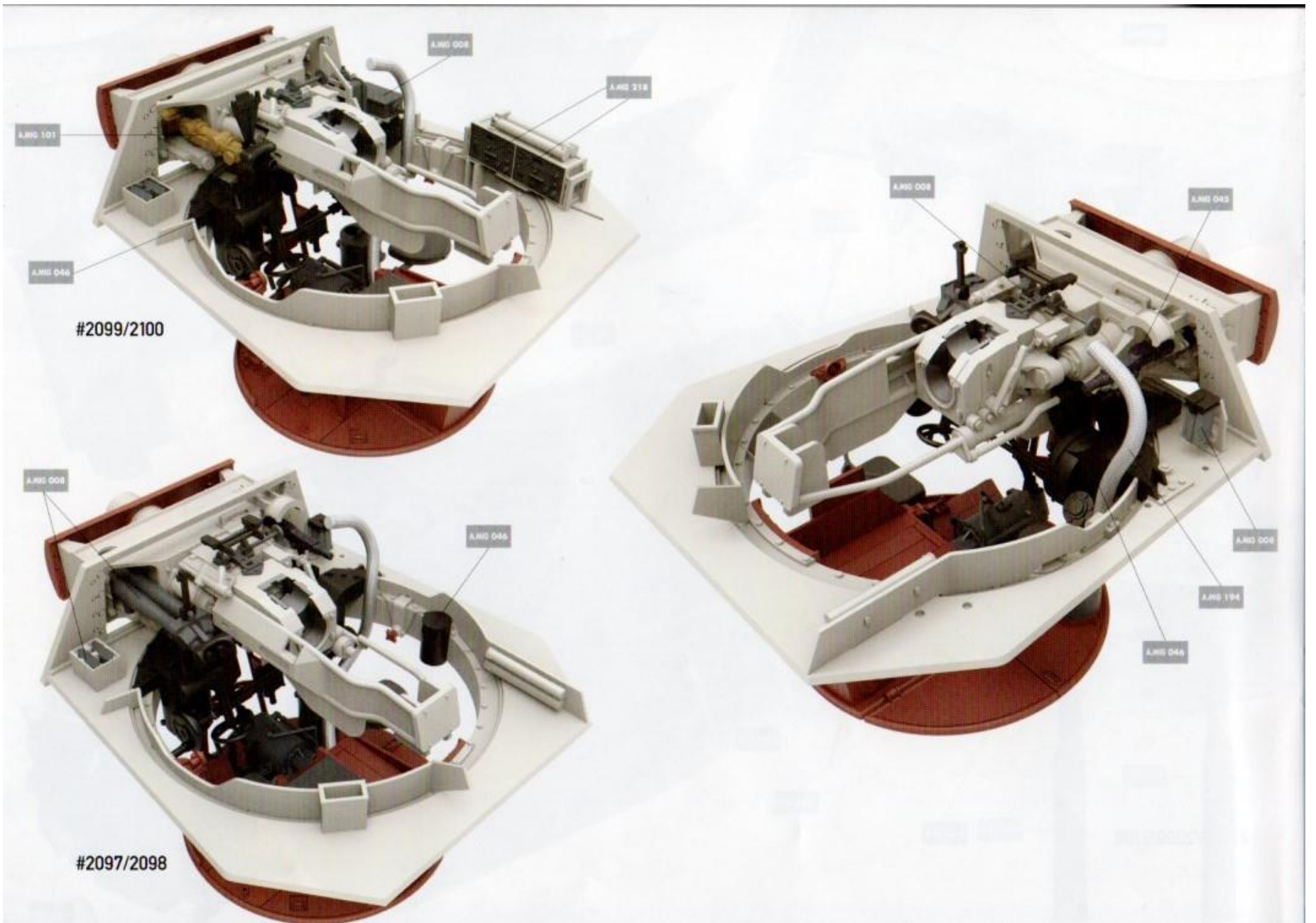
for #2097/2098/2099/2100

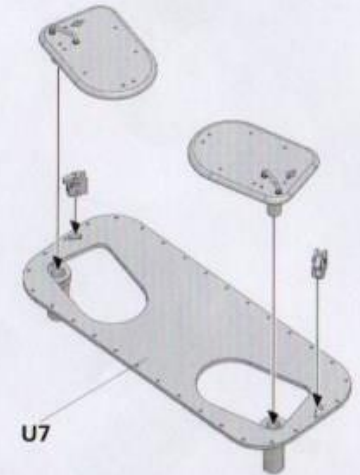
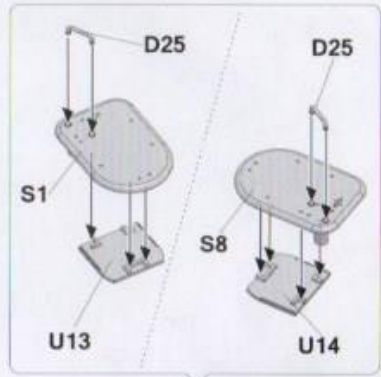
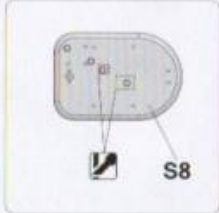
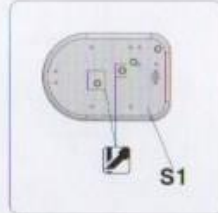
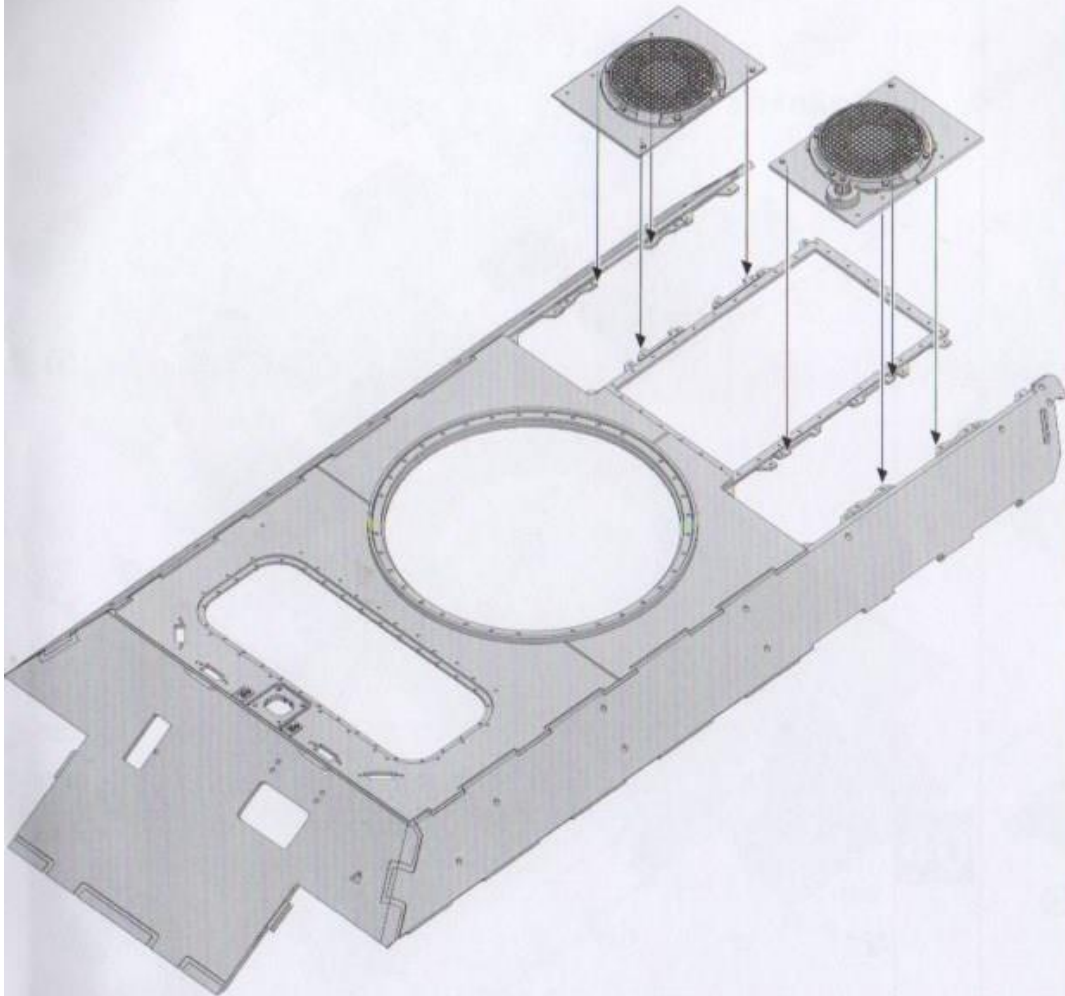


#2099/2100

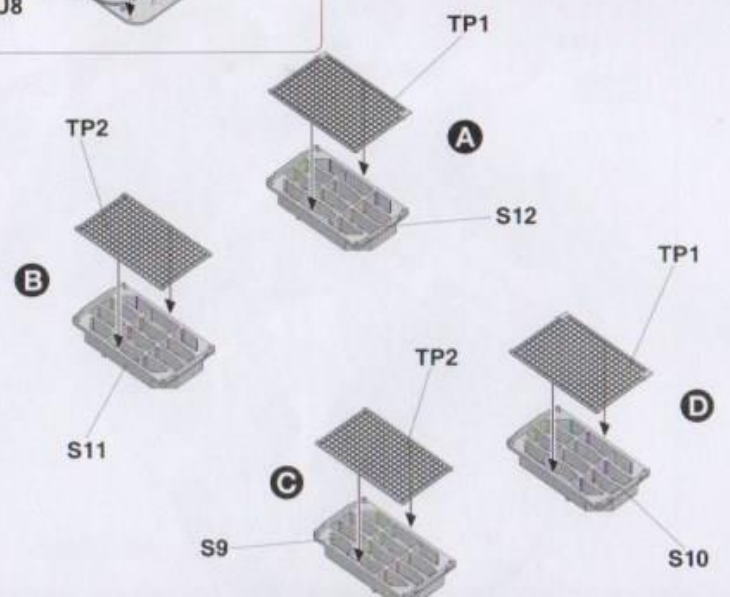
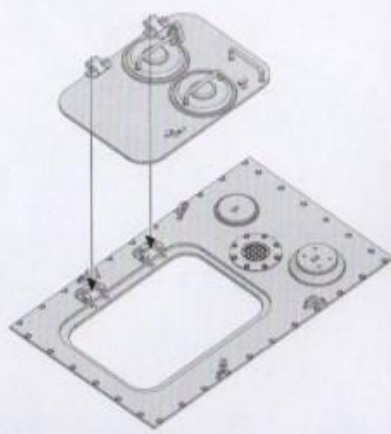
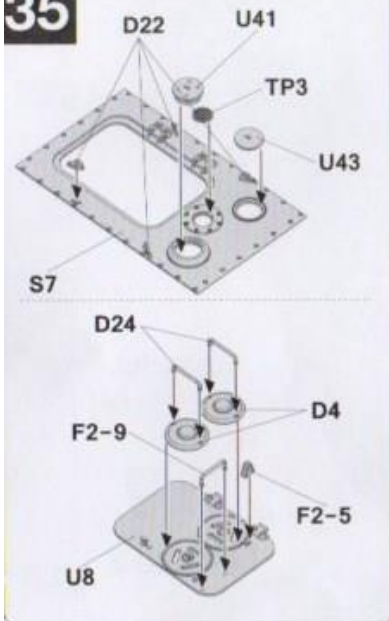




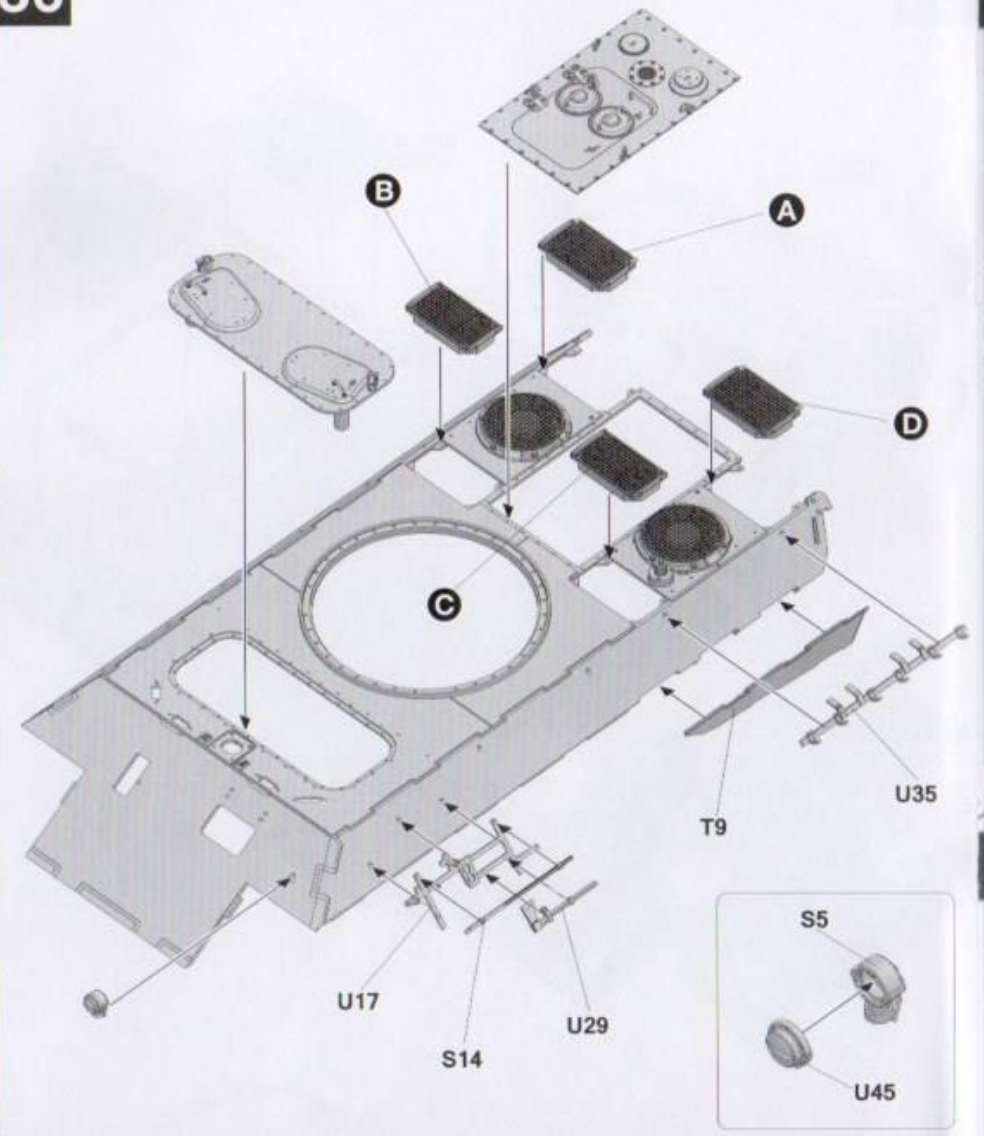




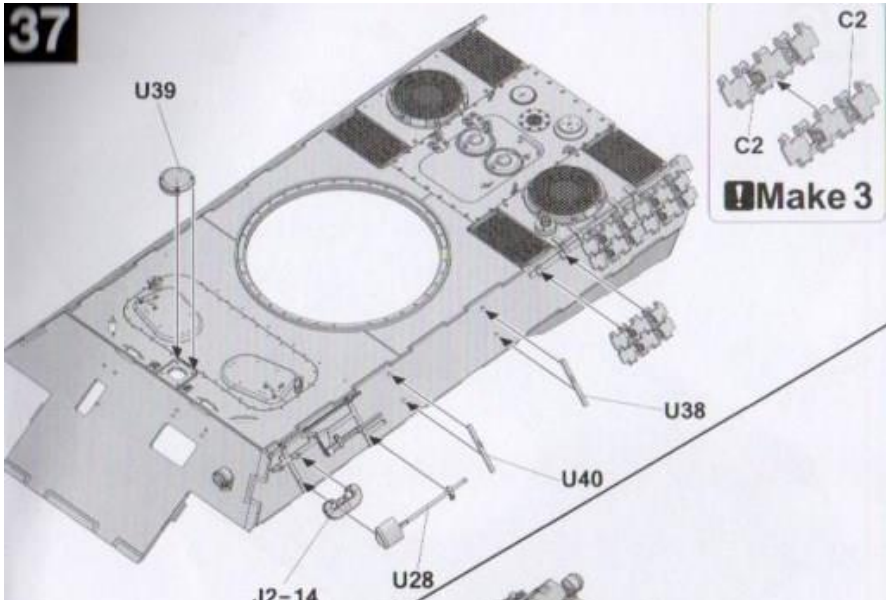
35



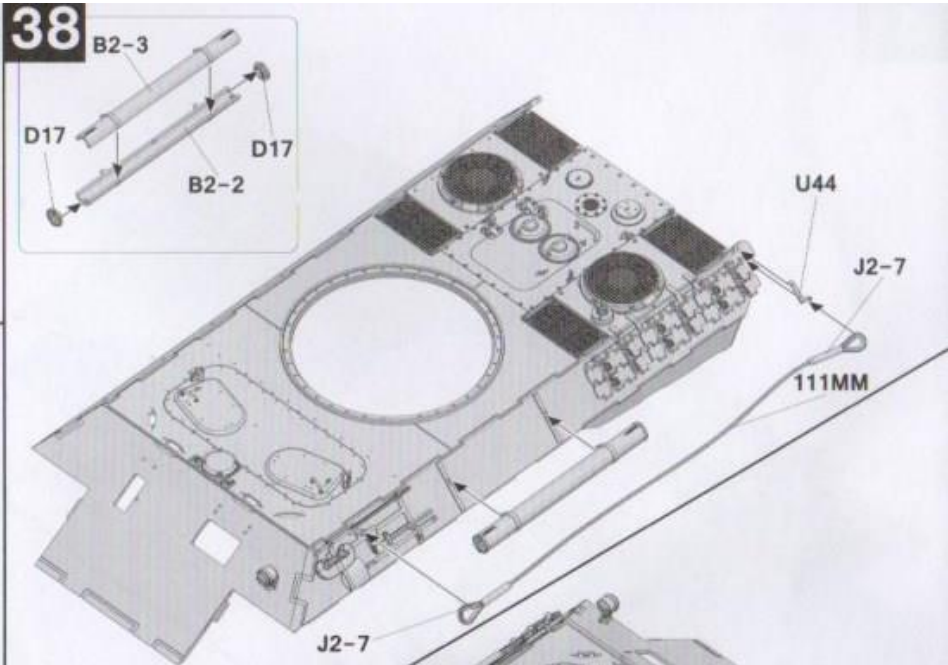
36



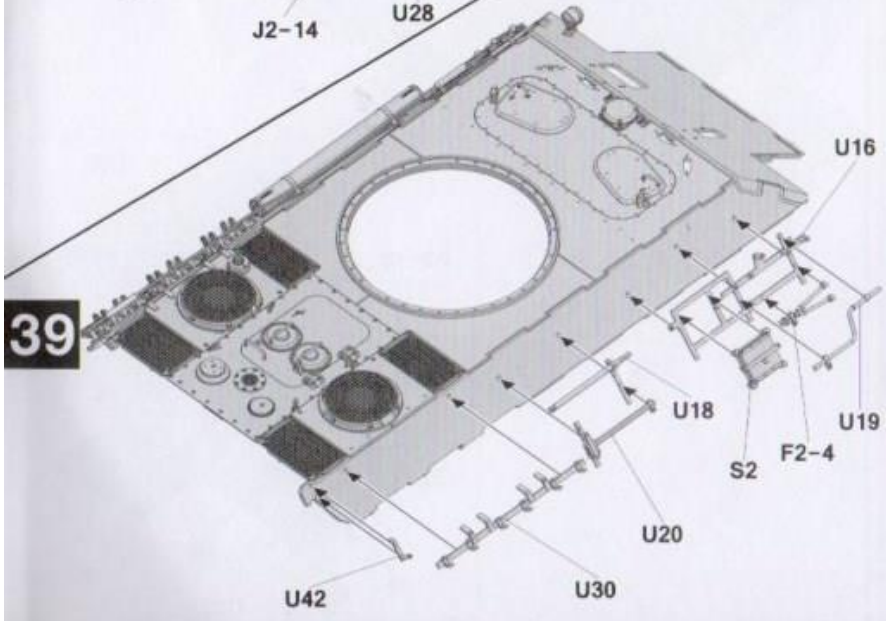
37



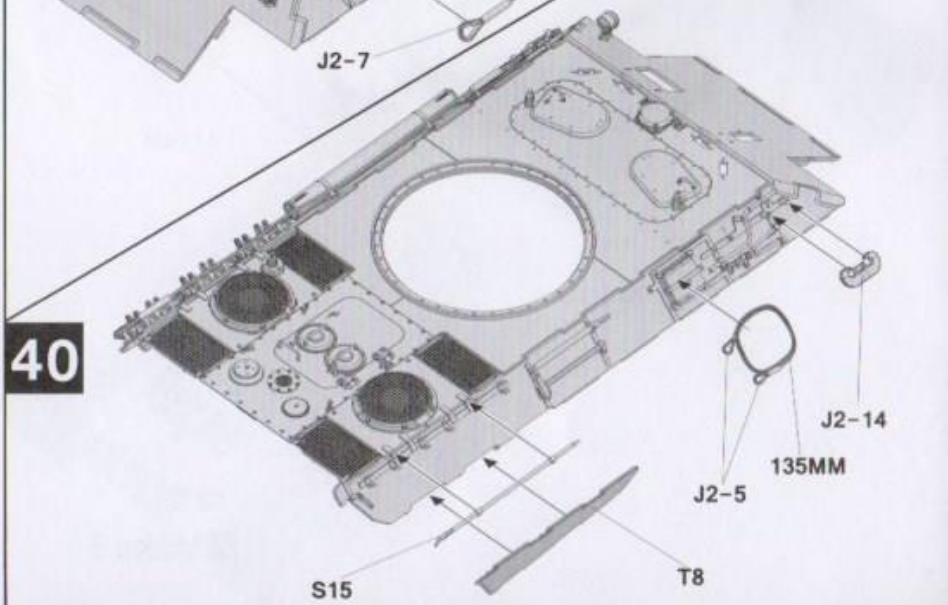
38



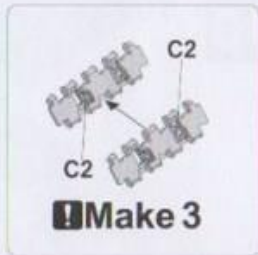
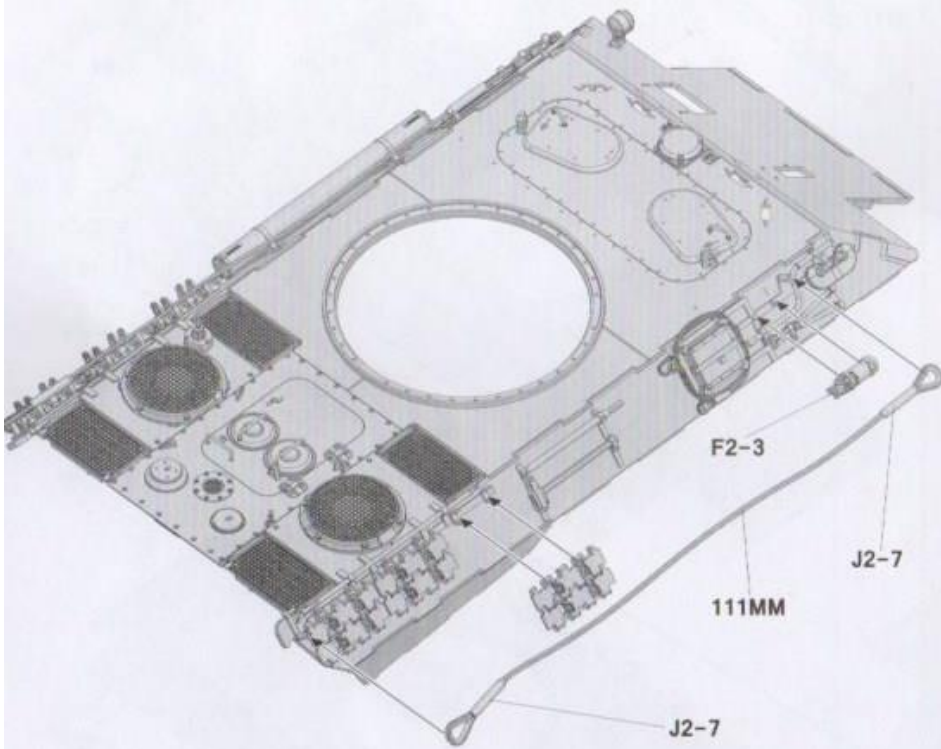
39



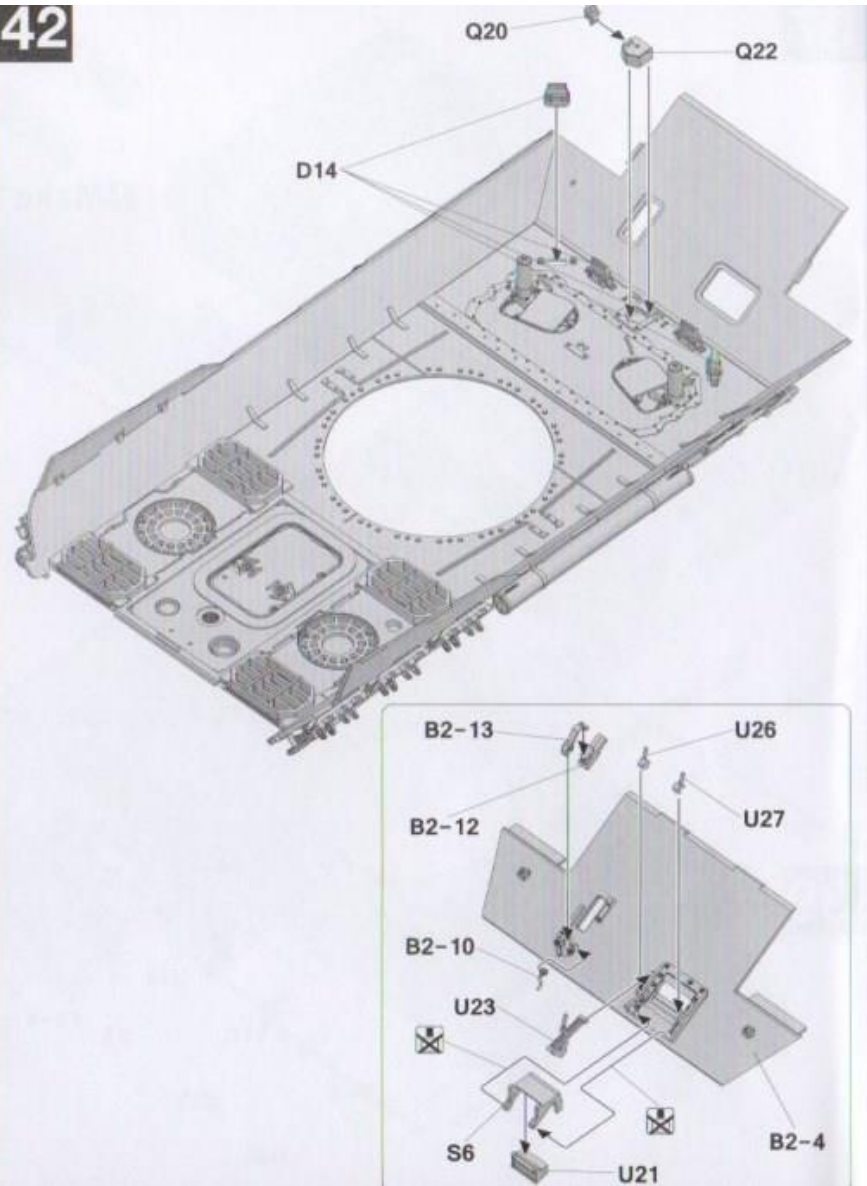
40



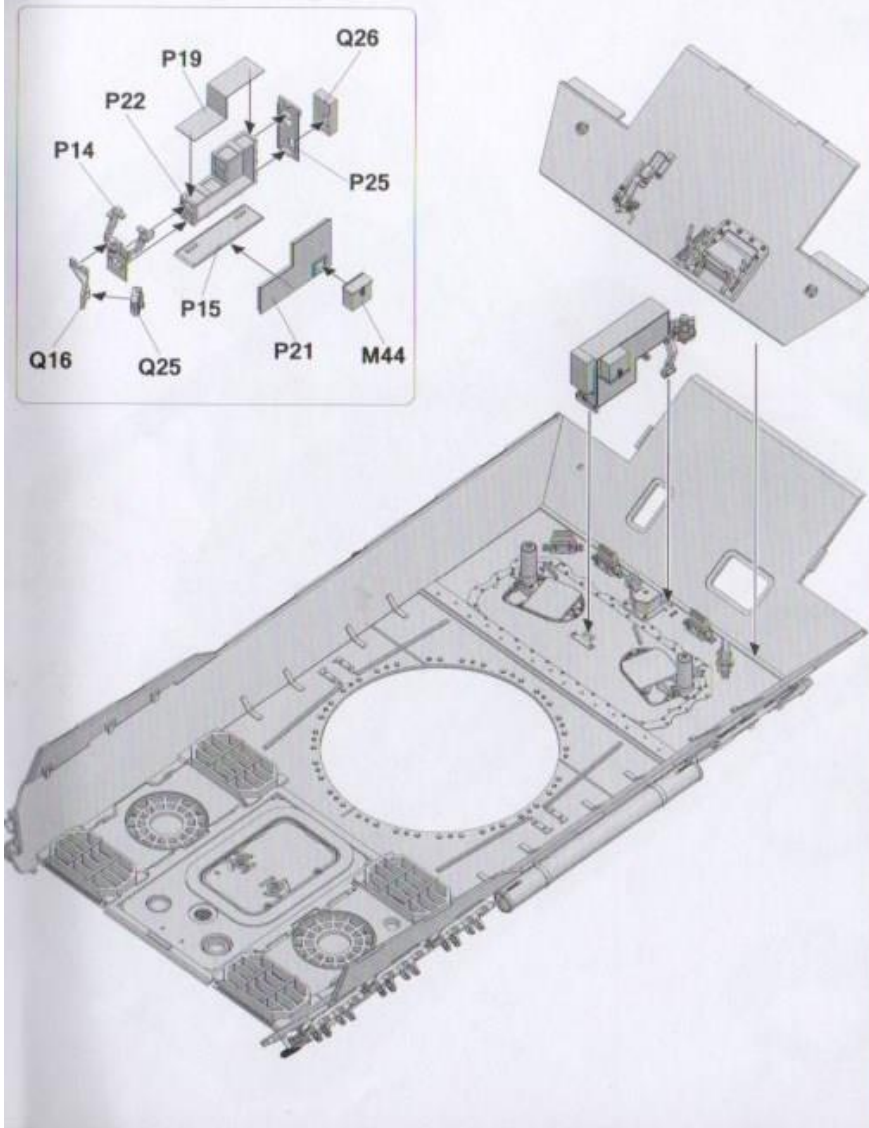
41



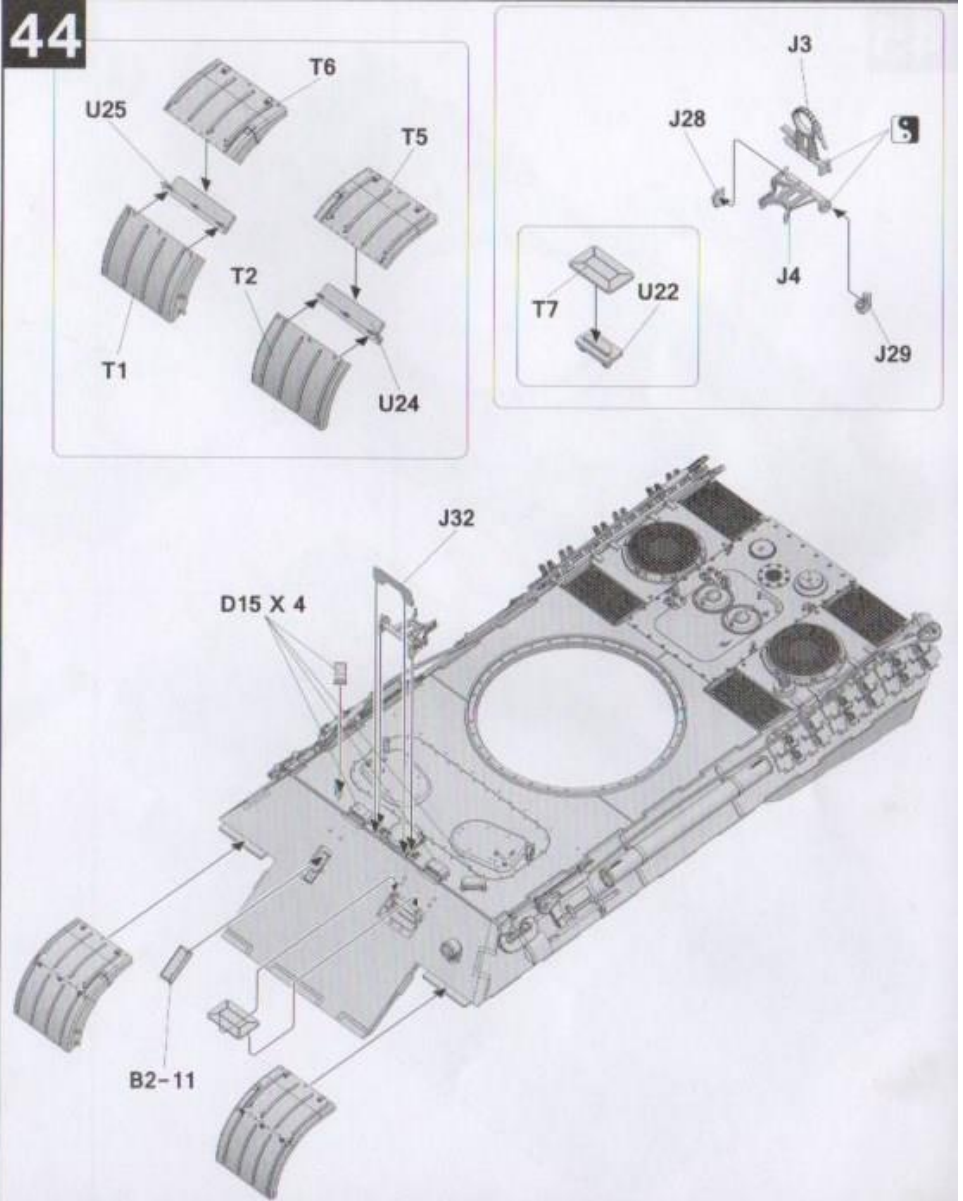
42



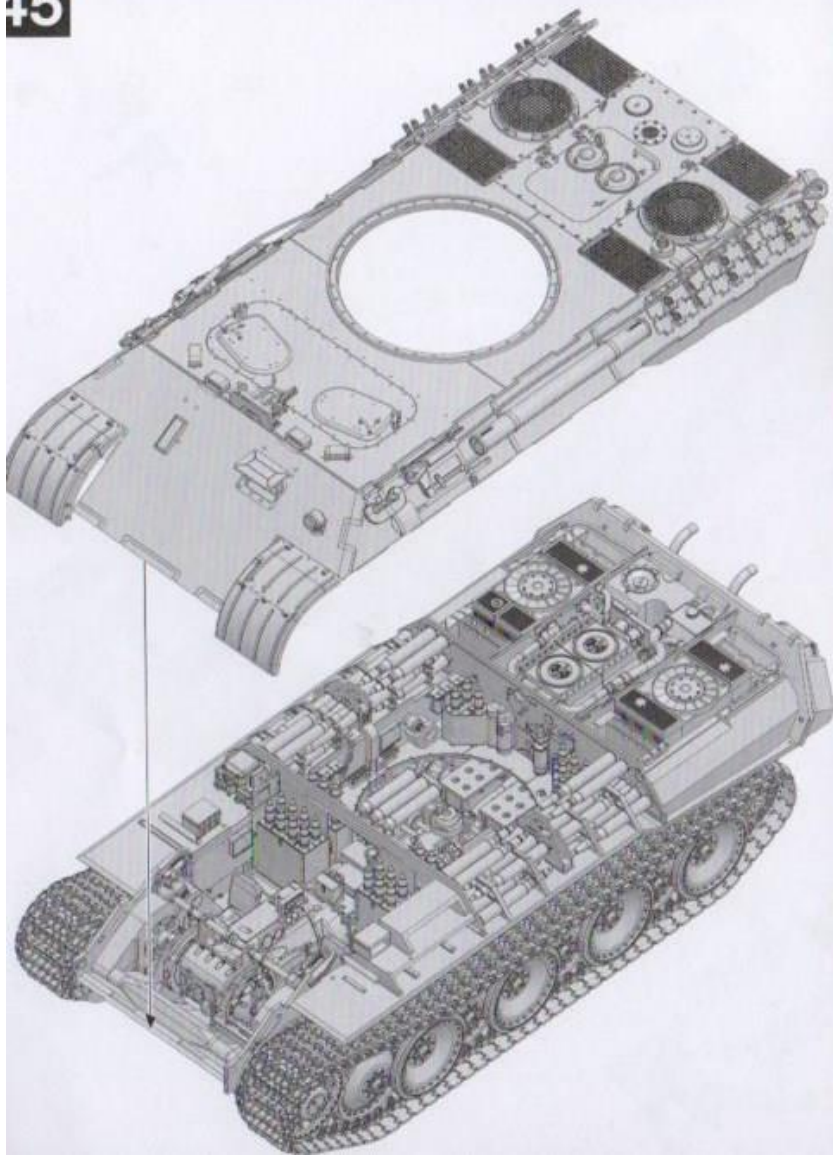
43



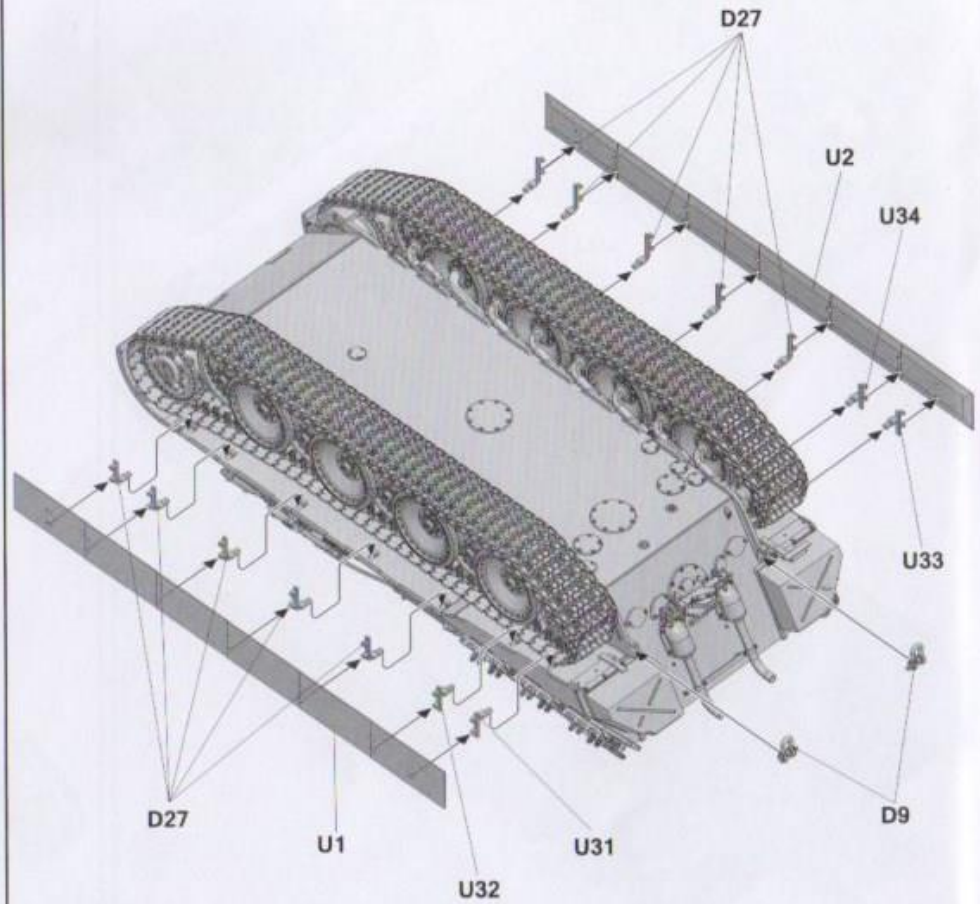
44



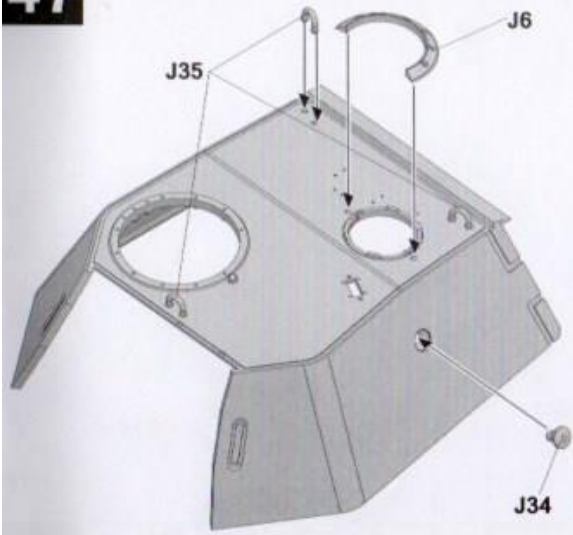
45



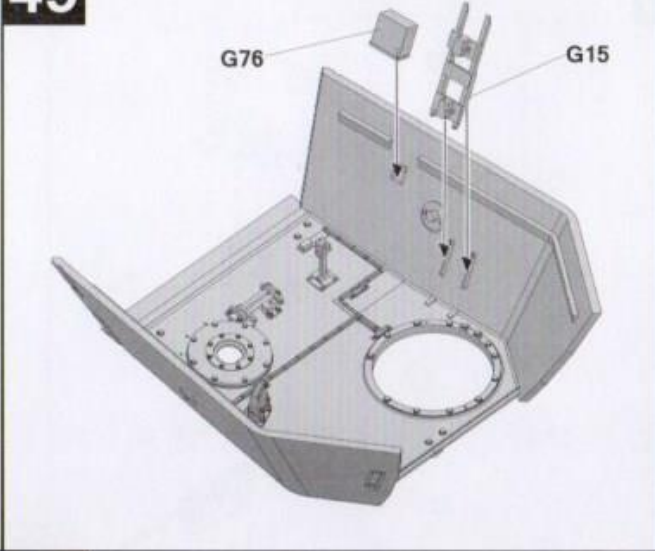
46



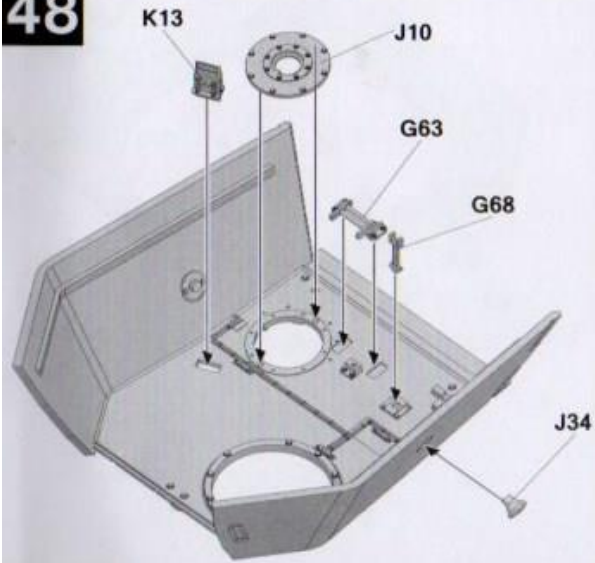
47



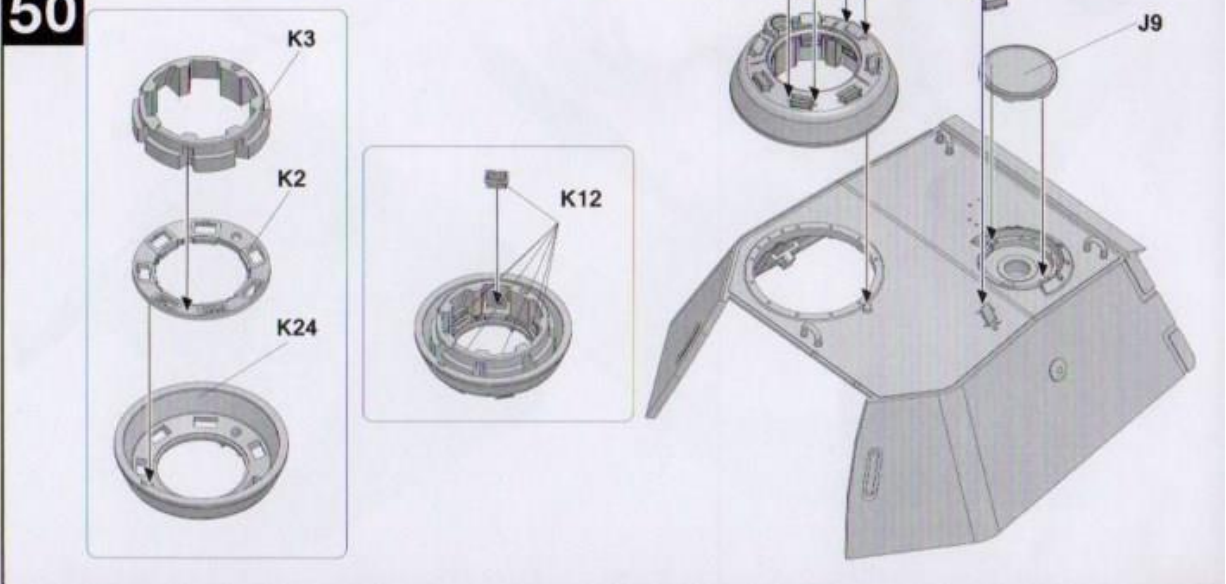
49



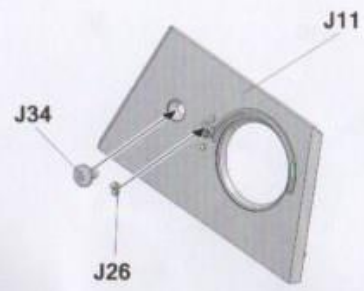
48



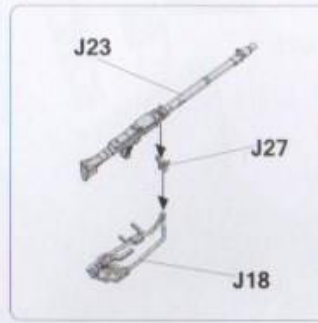
50



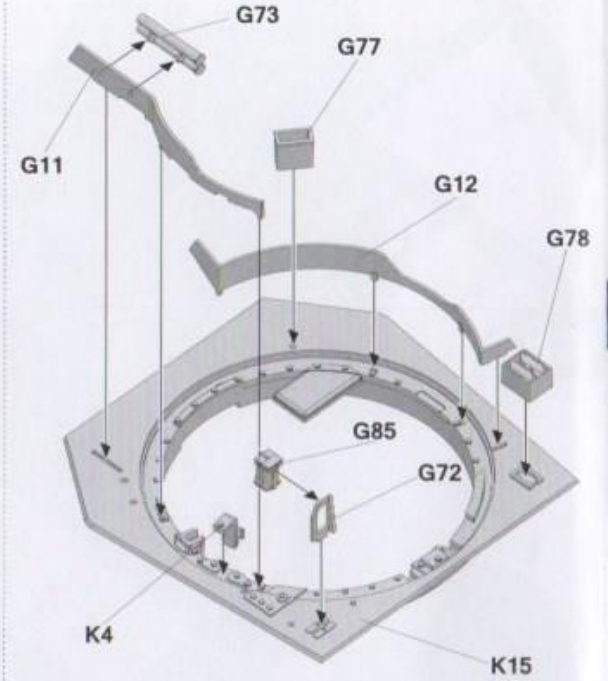
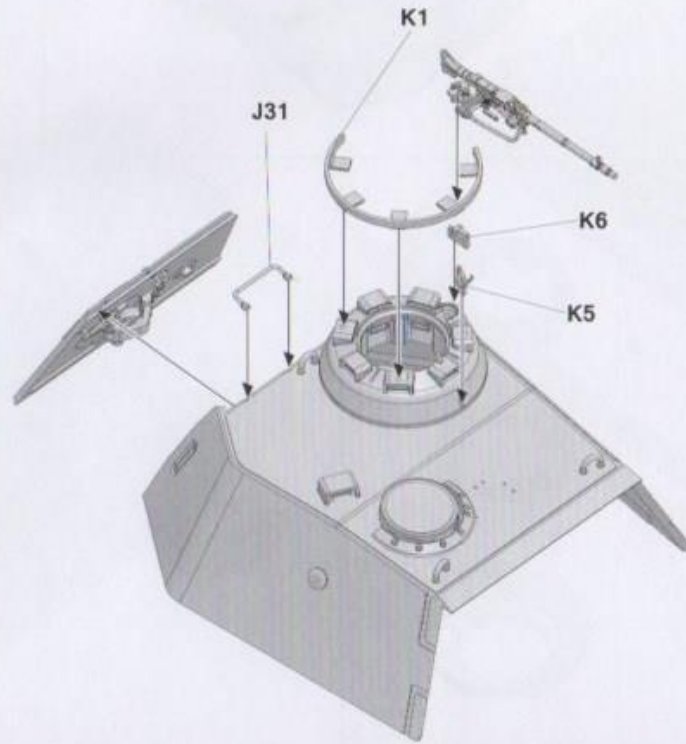
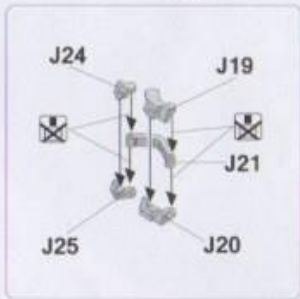
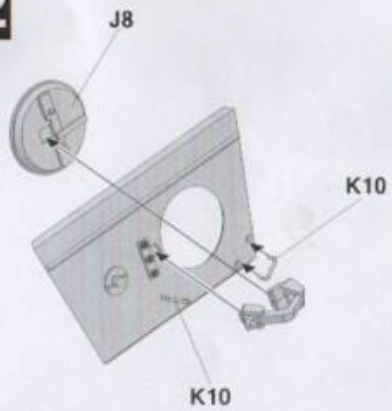
51



53

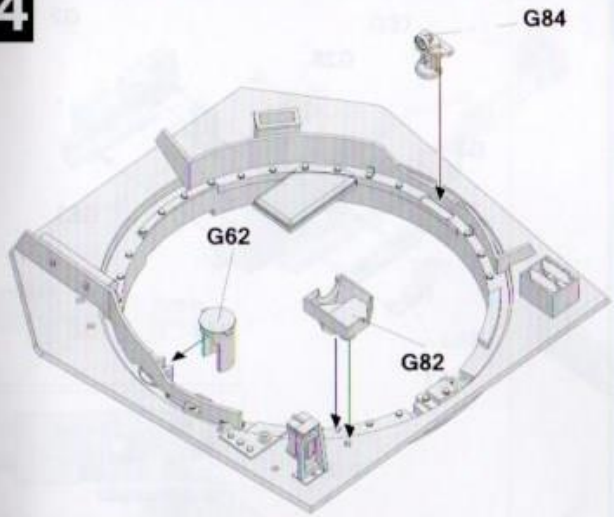


52

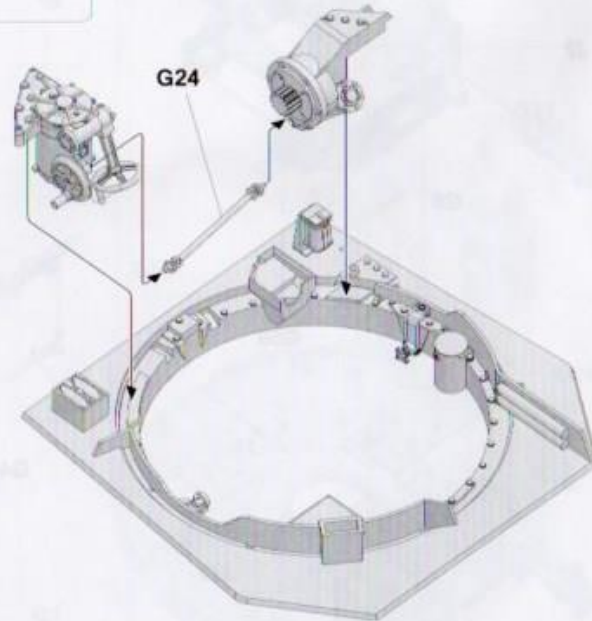


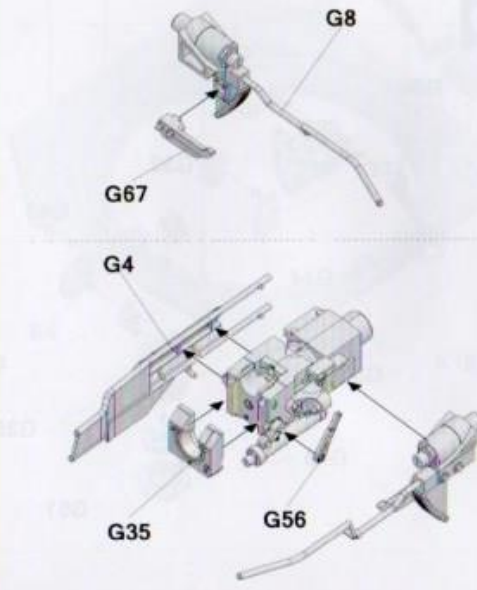
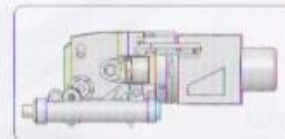
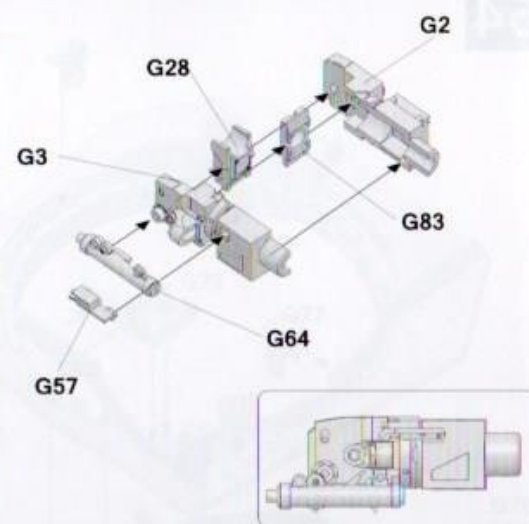
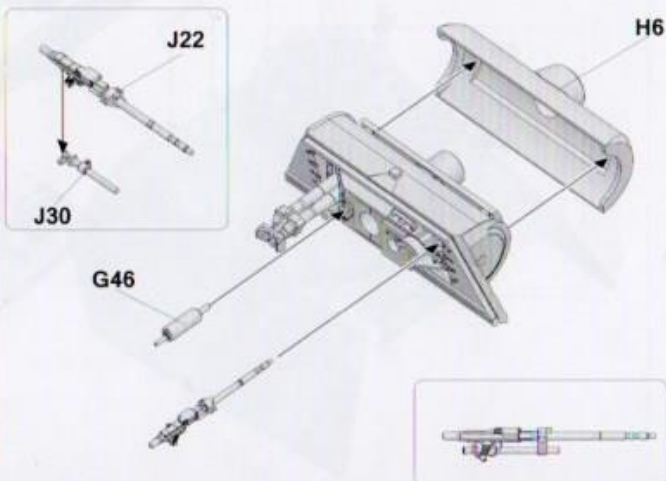
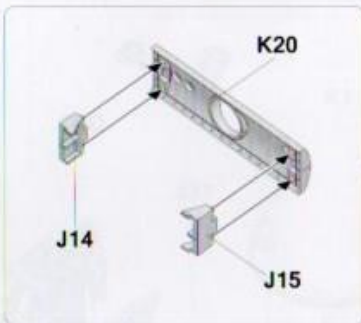
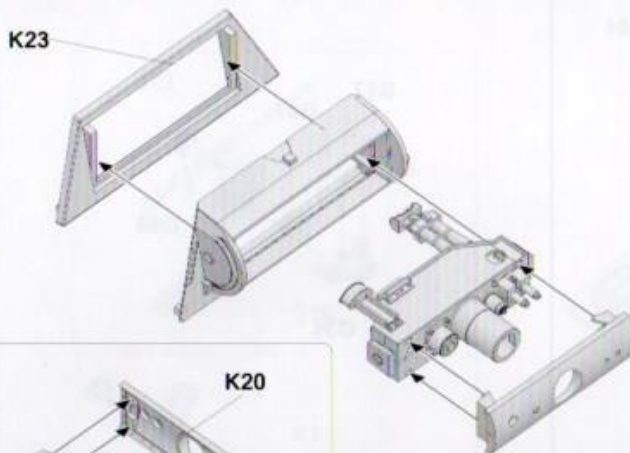
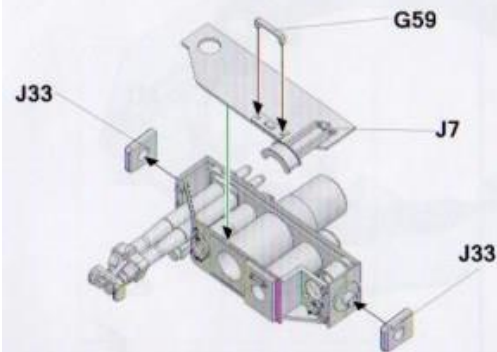
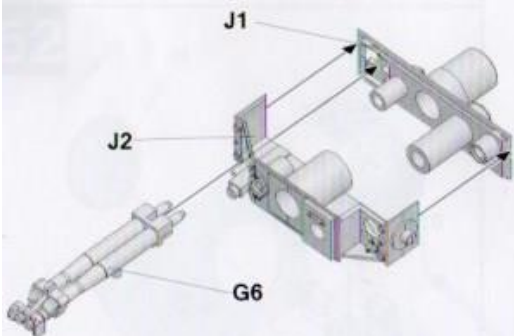
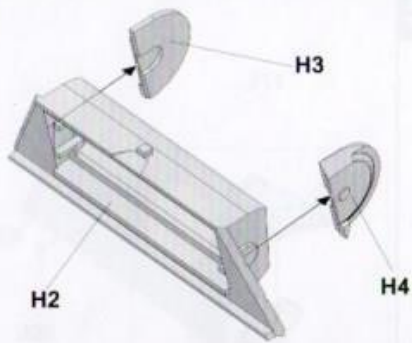
54

82

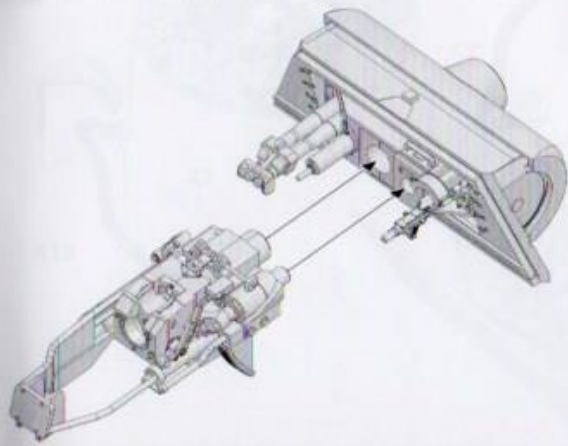
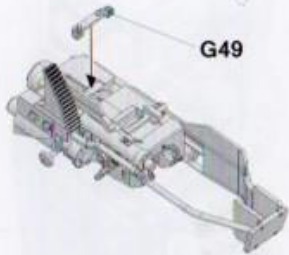
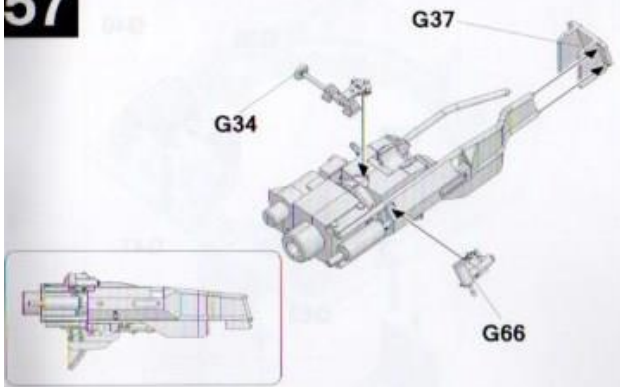


55

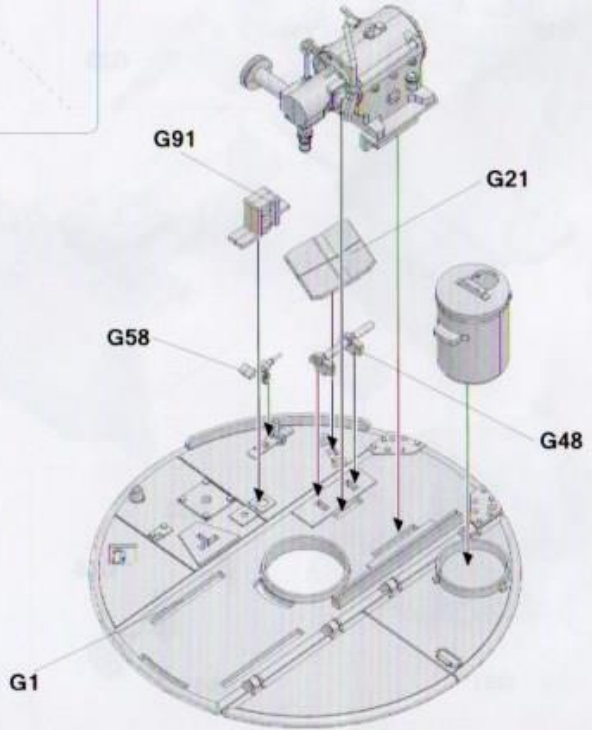
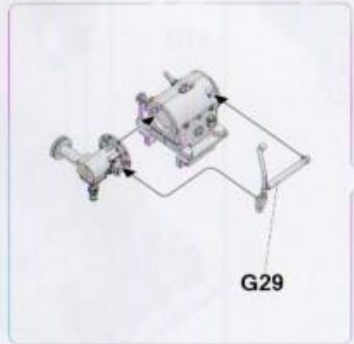
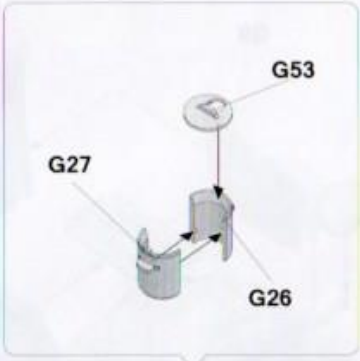
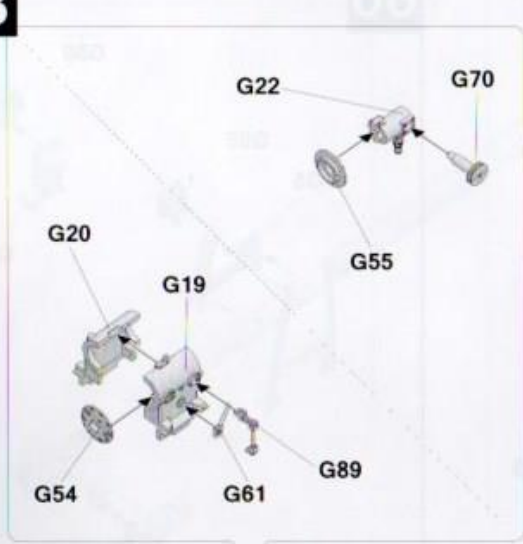




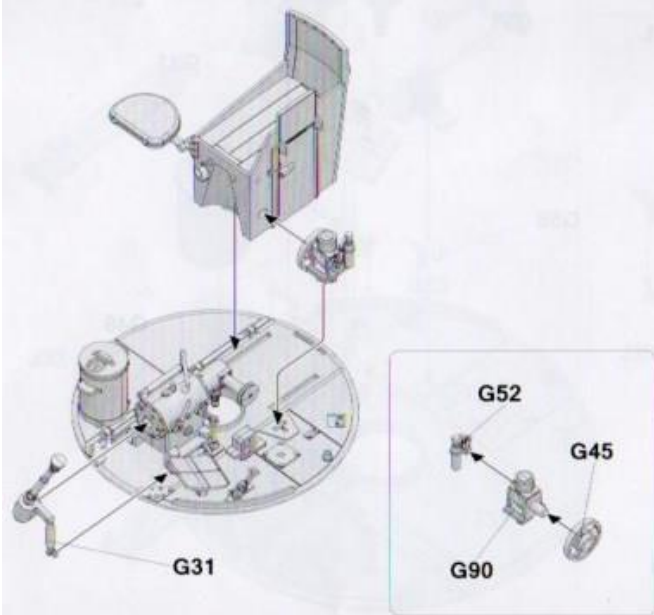
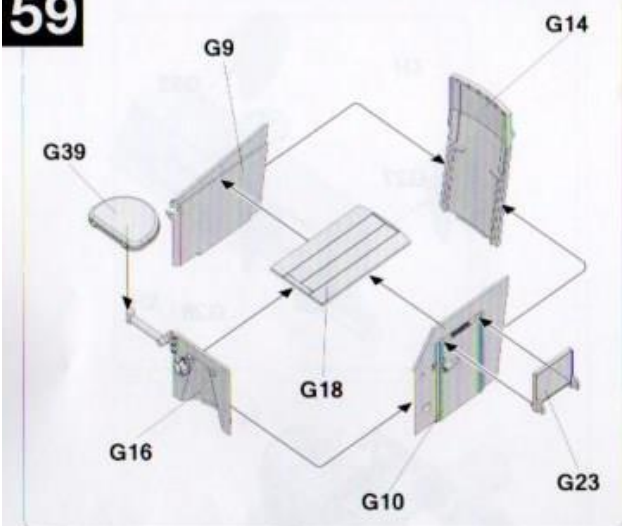
57



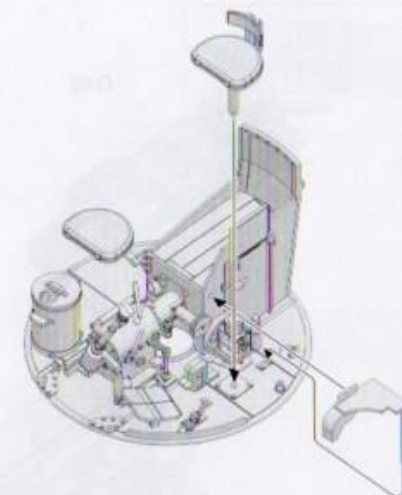
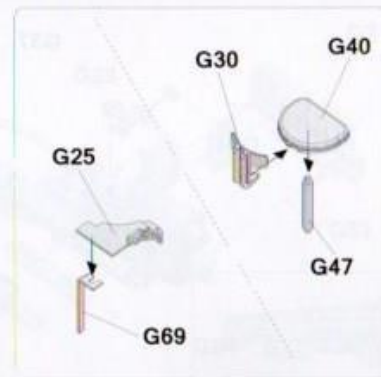
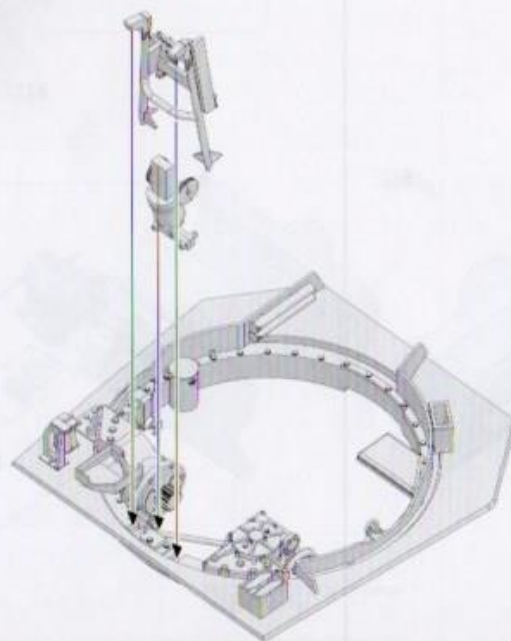
58



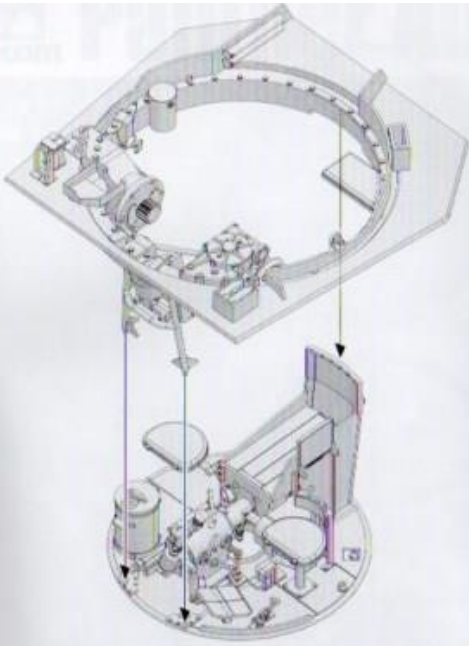
59



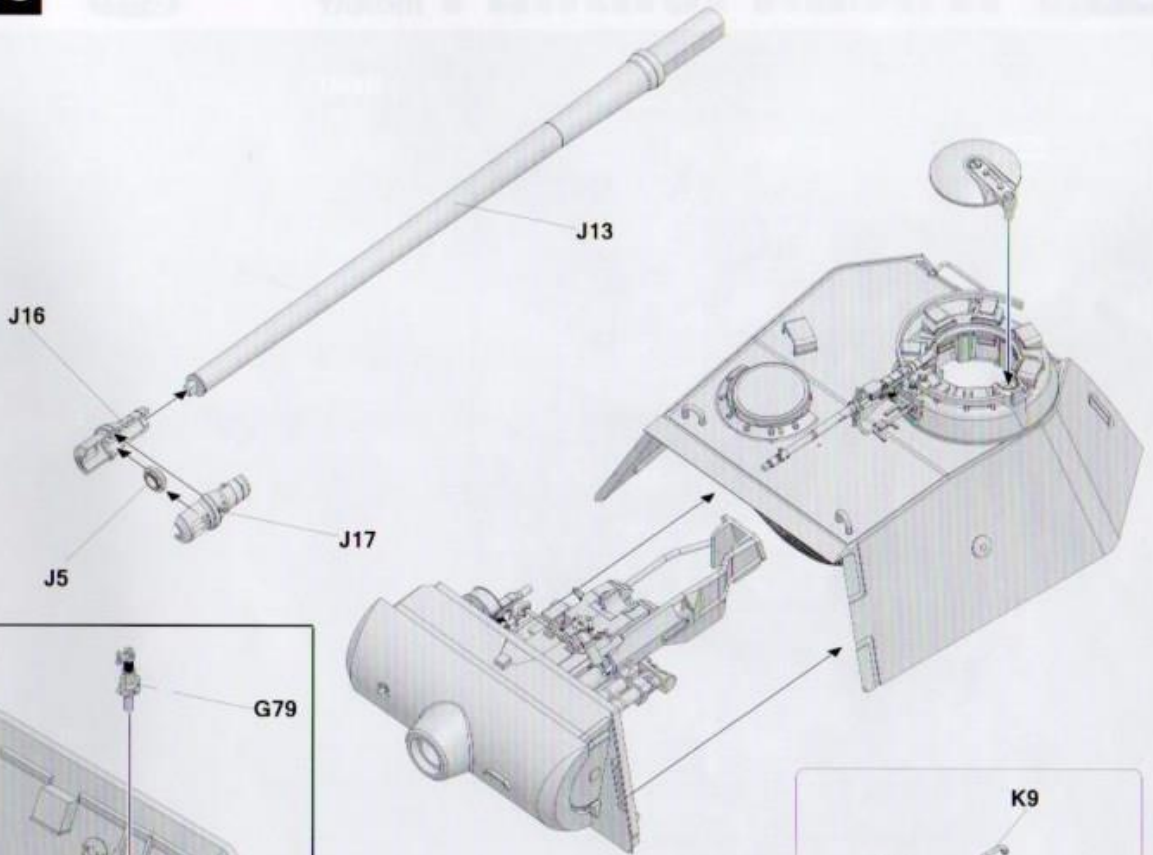
60



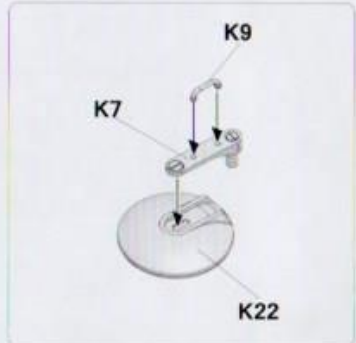
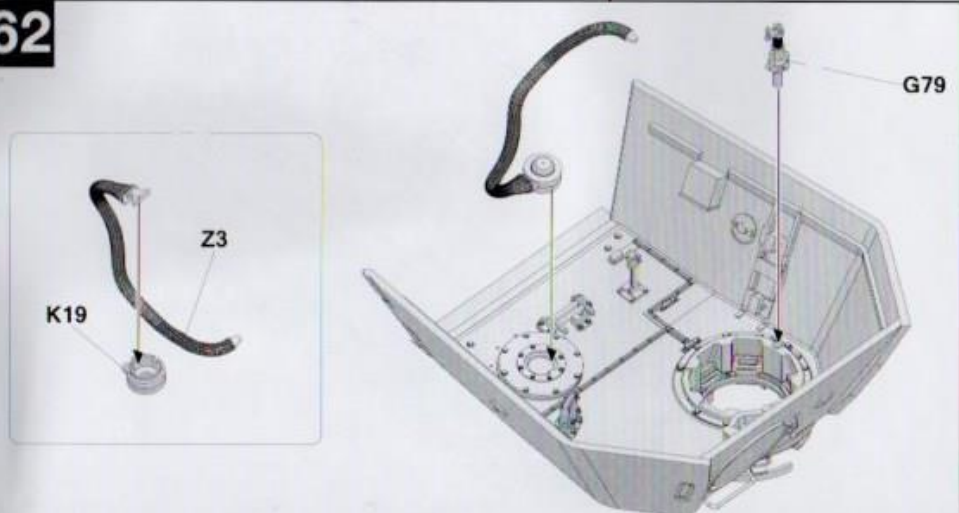
61

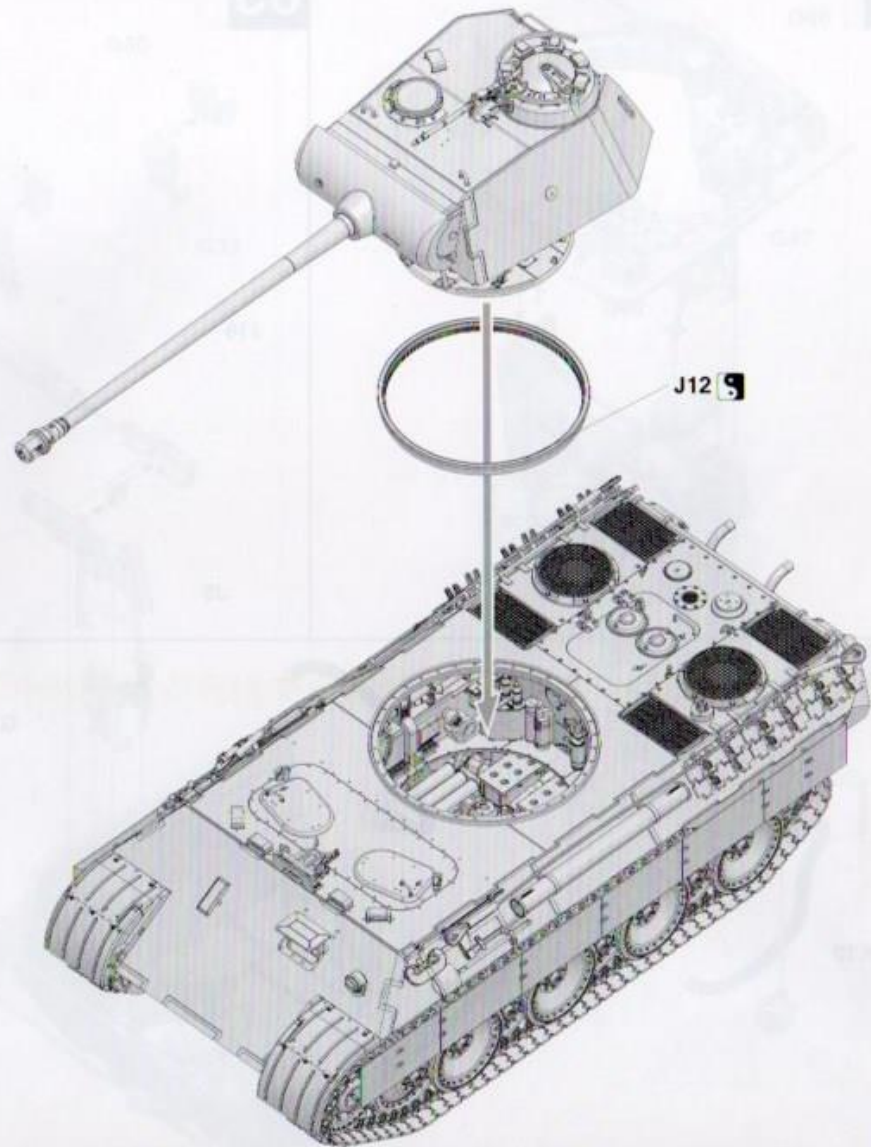
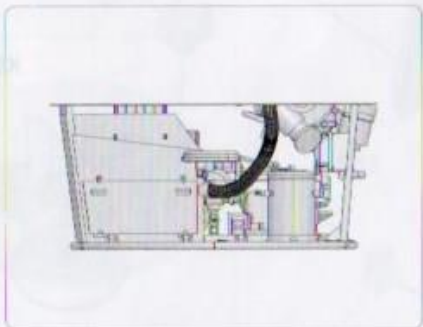
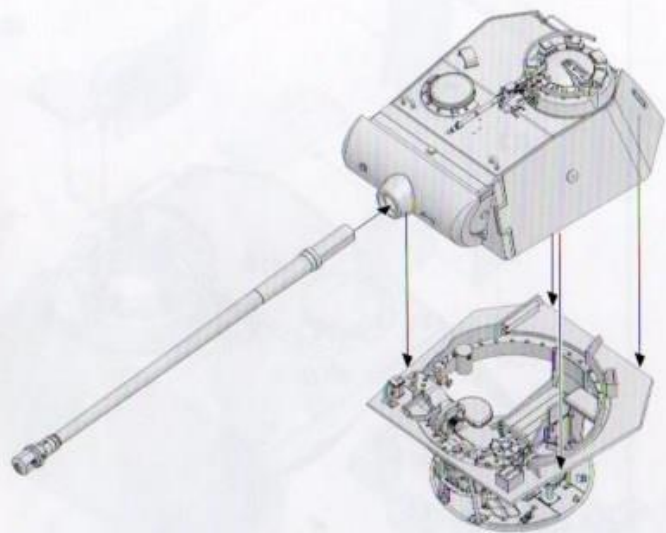


63



62





03.03.2097



Panther Ausf. A

www.migjimez.com



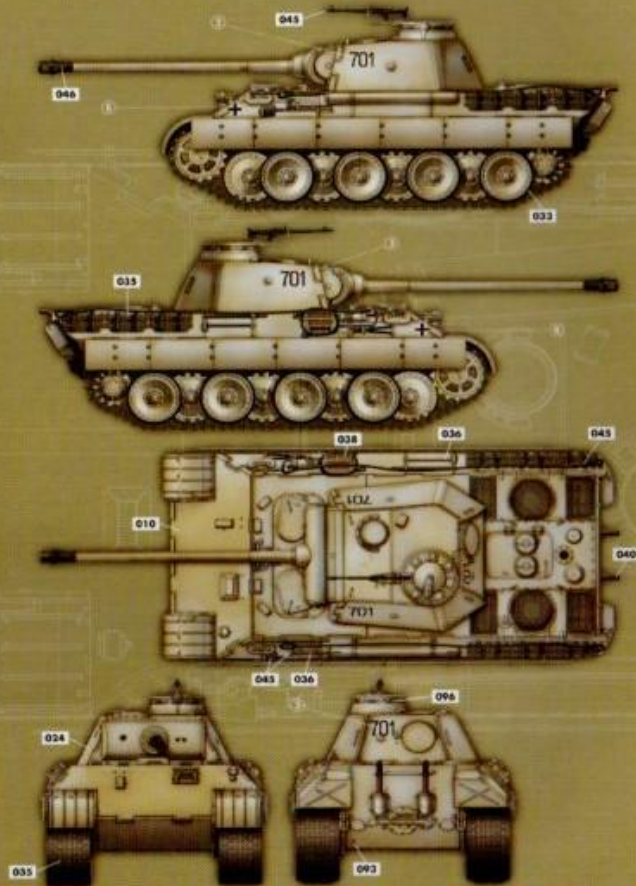
Painting and Marking Guide

TAKOM Ref: 2097

Panther Ausf. A, early prod. (full interior)

The 701. the panzer regiment 23.

AMMO 033	AMMO 035	AMMO 036	AMMO 038
Rubber & Tire	Dark Tracks	CM Wood	DM Wood
AMMO 040	AMMO 045	AMMO 093	AMMO 096
Medium Rust	Dark Metal	Cupred Red	Cupred Panzergrün
AMMO 010	AMMO 046	AMMO 034	
Darklight Mid sea	Dark Black	White to White Camo	



WEATHERING STEPS WITH AMMO PRODUCTS

1 ORIGINAL WASH

A MIG-1001 Africa Korpis Wash

2 FILTER

A MIG-1533 Duster for White

3 STEERING

A MIG-1283 Steeking Grease for White Vehicles

4 RUST

A MIG-1544 Rust

5 TRACK WASH

A MIG-1002 Tracks Wash

6 DUST

A MIG-1543 Duster

7 MUD

A MIG-3007 Dark Earth

A MIG-1754 Damp Earth

03.03.2097



Panther Ausf. A

www.migjimez.com



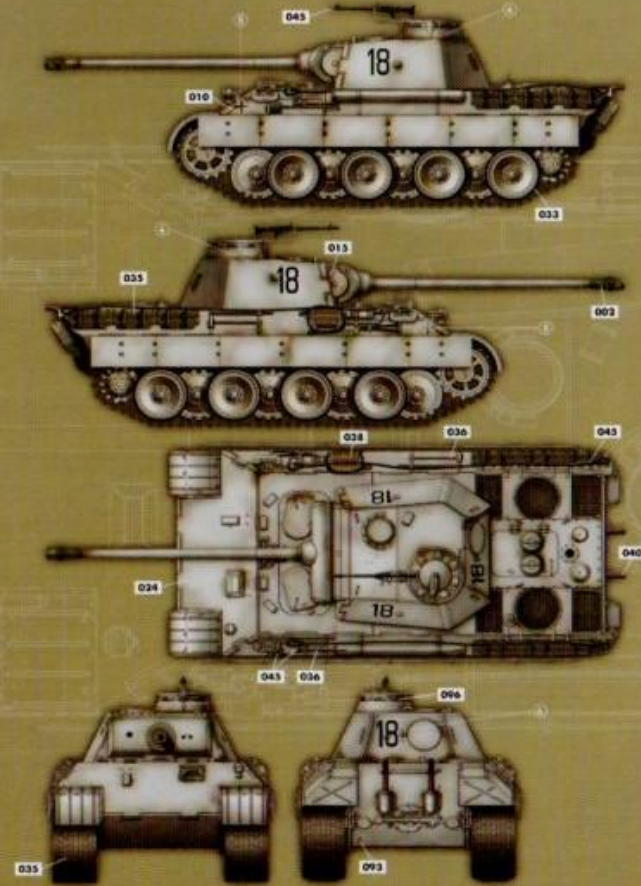
Painting and Marking Guide

TAKOM Ref: 2097

Panther Ausf. A, early prod. (full interior)

Panzer Ausf A Early, 14 Panzer division
Russia 1944.

AMMO 033	AMMO 035	AMMO 036	AMMO 038
Rubber & Tire	Dark Tracks	CM Wood	DM Wood
AMMO 040	AMMO 045	AMMO 093	AMMO 096
Medium Rust	Dark Metal	Cupred Red	Cupred Panzergrün
AMMO 003	AMMO 010	AMMO 011	AMMO 034
Dragon-Capt 2	Darklight Mid sea	White to White Camo	White to White Camo



WEATHERING STEPS WITH AMMO PRODUCTS

1 ORIGINAL WASH

A MIG-1001 Africa Korpis Wash

2 FILTER

A MIG-1533 Duster for White

3 STEERING

A MIG-1283 Steeking Grease for White Vehicles

4 RUST

A MIG-1544 Rust

5 TRACK WASH

A MIG-1002 Tracks Wash

6 DUST

A MIG-1543 Duster

7 MUD

A MIG-3007 Dark Earth

A MIG-1754 Damp Earth

03.03.2097



Panther Ausf. A

www.migjimenez.com

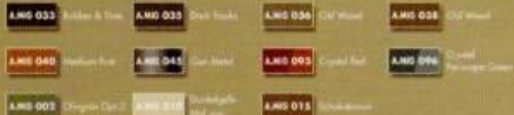


Painting and Marking Guide

TAKOM Ref: 2097

Panther Ausf. A, early prod. (full interior)

Panther A Pz Lahr. of 1. Kompanie. 12 Jäger
Normandie 1944.



WEATHERING STEPS WITH AMMO PRODUCTS

1 GENERAL WASH

A.MIG-190 Dyes Wash for German Yellow

2 FILTER

A.MIG-010 Tires for 2 tone camo

3 STREAKING

A.MIG-1203 Streaking Green

4 RUST

A.MIG-3010 Rust

5 TRACK WASH

A.MIG-1002 Tracks Wash

6 DIRT

A.MIG-3013 Rubbed

7 MUD

A.MIG-3007 Dark Earth
A.MIG-1792 Loose Gravel

03.03.2097



Panther Ausf. A

www.migjimenez.com

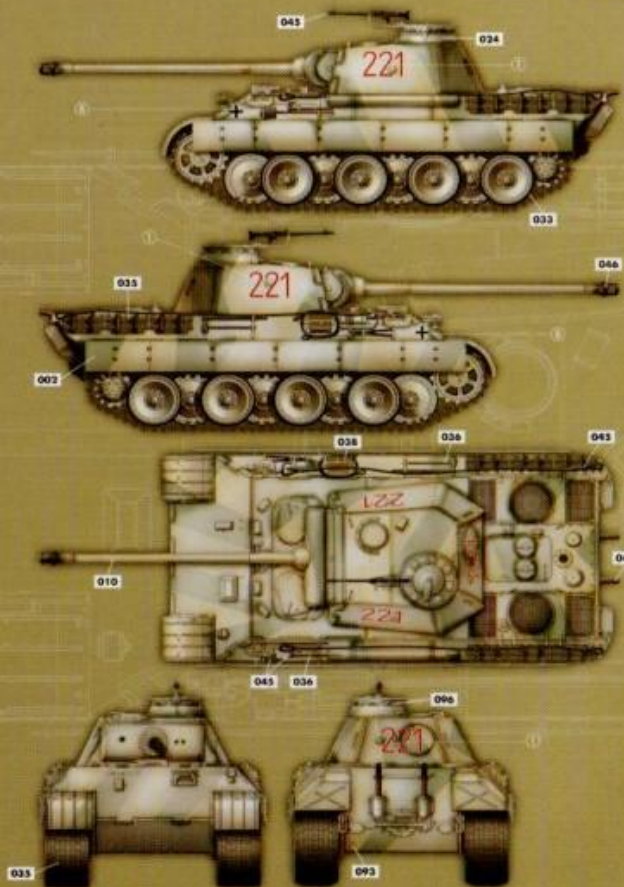


Painting and Marking Guide

TAKOM Ref: 2097

Panther Ausf. A, early prod. (full interior)

Panther Ausf. A. Early. 16. Panzer Division.



WEATHERING STEPS WITH AMMO PRODUCTS

1 GENERAL WASH

A.MIG-1001 Allied Hoga Wash

2 FILTER

A.MIG-1900 Dyes for 015s

3 STREAKING

A.MIG-1203 Streaking Green for Water Camo

4 RUST

A.MIG-3010 Rust

5 TRACK WASH

A.MIG-1002 Tracks Wash

6 DIRT

A.MIG-3013 Rubbed

7 MUD

A.MIG-3007 Dark Earth
A.MIG-1794 Loose Gravel

1/35
No.2098

Designed by
T-Rev Studio
in China

1/35
No.2099

Designed by
T-Rev Studio
in China

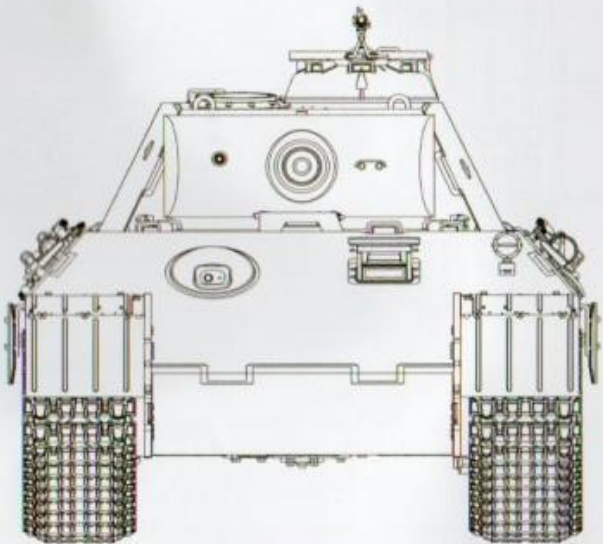
A PANTHER

Sd.Kfz.171

MID-EARLY Production

Full Interior Kit

- A. THIS IS NOT A KIT
- A. DETAILED STATIC DISPLAY PLASTIC MODEL
- A. TRACK ASSEMBLY IS MADE WITH THE USE OF A.Kit
- A. LINK & LENGTH STYLE TRACKS INCLUDED
- A. ALL HATCHES CAN BE OPEN OR CLOSED POSITION
- A. PG. INCLUDED



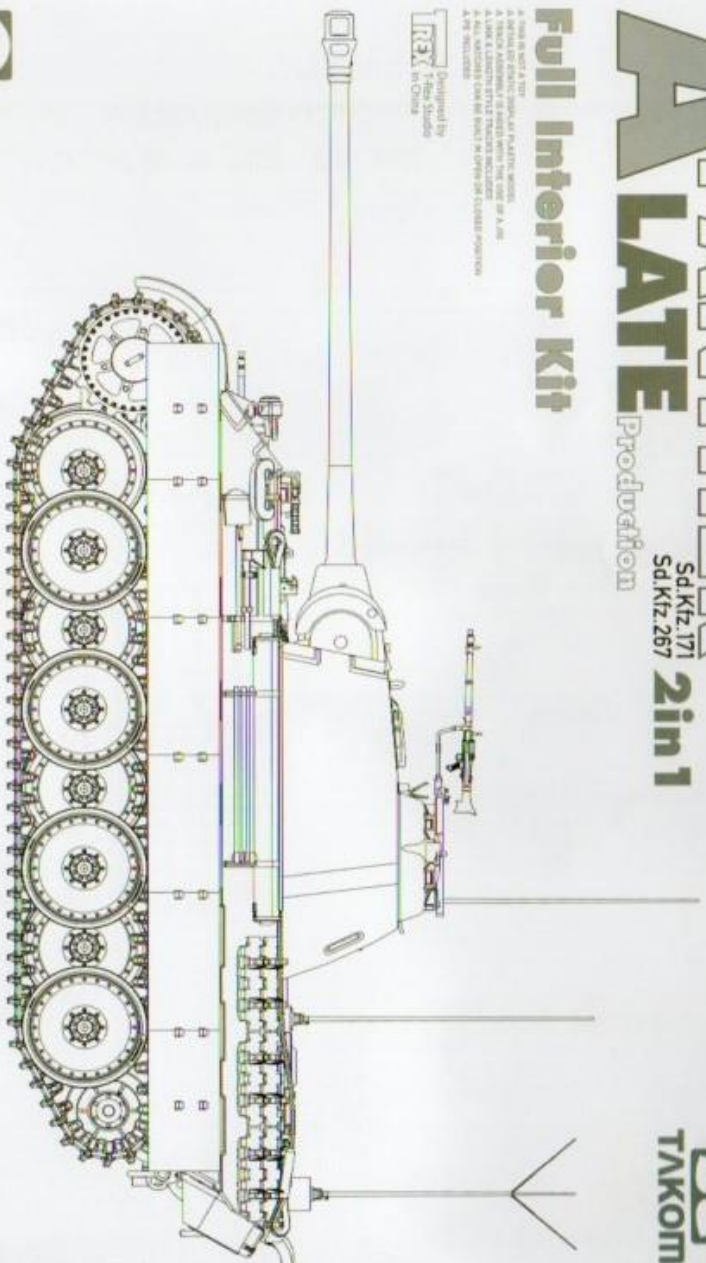
A PANTHER LATE Production

Sd.Kfz.171
Sd.Kfz.267

2in1

Full Interior Kit

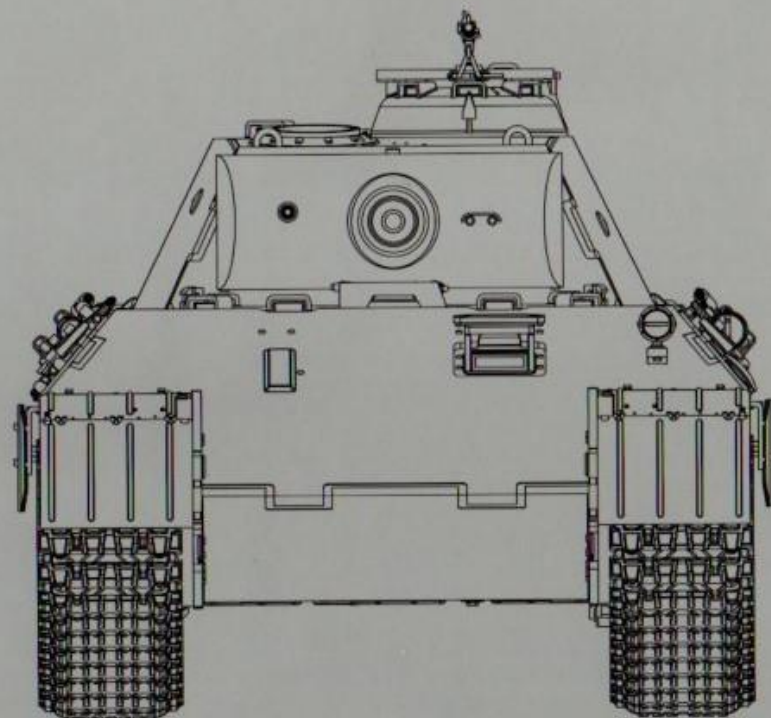
- A. THIS IS NOT A KIT
- A. DETAILED STATIC DISPLAY PLASTIC MODEL
- A. TRACK ASSEMBLY IS MADE WITH THE USE OF A.Kit
- A. ALL HATCHES CAN BE OPEN OR CLOSED POSITION
- A. PG. INCLUDED



A. READY TO ASSEMBLE PRECISION MODEL. KIT. A. INTENDED FOR COLLECTORS OR AGE 14 YEARS AND ABOVE. A. MODEL PARTS FROM BRASS OR BOX. A. GUN AND PAINT NOT INCLUDED.



2018/2097



You can find TAKOM on Facebook.com