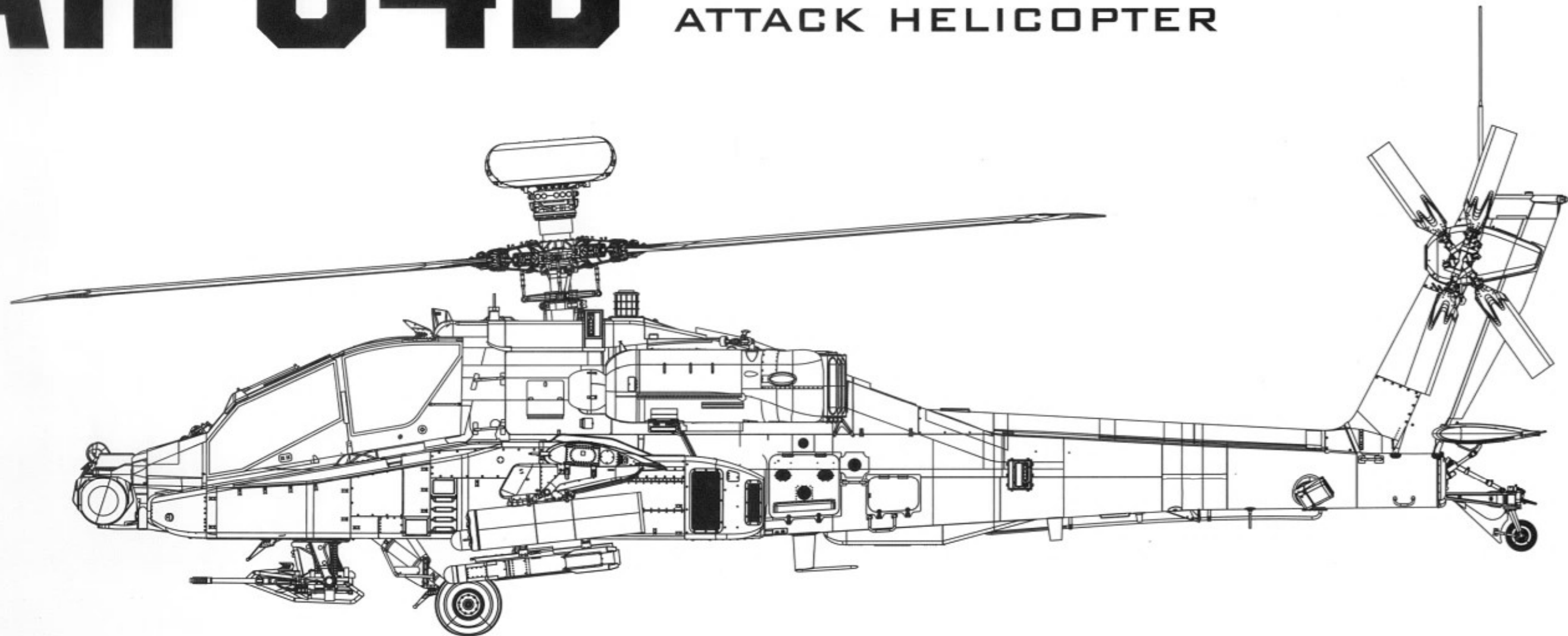


AH-64D

APACHE *LONGBOW*

ATTACK HELICOPTER



Beginning in the late 1980s, the US Army planned a series of upgrades to its AH-64A fleet. In 1992 McDonnell Douglas converted four AH-64As into prototypes for the variant designated AH-64D. The designations AH-64B and AH-64C for interim variants were later dropped so that the AH-64D became the second operational Apache variant.

The main upgrade focused on the Northrop Grumman AN/APG-78 Longbow millimeter-wave fire-control radar (FCR) target acquisition system and the Radar Frequency Interferometer (RFI) housed in the radome mounted on the mast above the main rotor shaft. This allows the AGM-114L to be fired in an autonomous fire-and-forget mode, whereas the laser-guided Hellfire requires external designation or use in conjunction with the TADS, and as such is a line-of-sight weapon. The AN/APG-78 radar can detect, classify and prioritize 12 targets simultaneously, and can see through the fog and smoke that currently disrupts infra-red and TV sensors. The AH-64D also features improvements in targeting, battle management, cockpit, communications, weapons and navigation systems. The forward avionics bay was expanded, and the landing gear fairings were extended forward to accommodate some of the new equipment. This gunship can carry a total of 16 AGM-114L Hellfire 2 anti-tank missiles and can also carry 2 AGM-122 Sidarm air-to-ground anti-radiation missiles. For self-defense against other aircraft, the Longbow Apache can carry 4 AIM-92 Stinger, 4 Mistral, or 2 AIM-9 Sidewinder short-range air-to-air missiles.

Entering service in 1995, early aircraft lack the radar system fitted to the definitive AH-64D Longbow Apache that followed from 1997. Early in 1999 the US Army finally decided that 530 AH-64As would be upgraded to D standards, for which 500 Longbow systems were procured. The AH-64D is also flown by Israel, the Netherlands and the United Kingdom (where it was built under license for the Royal Air Force by Westland as the WAH-64D).

READ BEFORE ASSEMBLY

CAUTION

- Read carefully and fully understand the instructions before commencing assembly. A supervising adult should also read the instructions if a child assembles the model.
- When assembling this kit, tools including knives used. Extra care should be taken to avoid personal injury.
- Keep out of reach of small children. Children must not be allowed to suck any part, or pull vinyl bag over their heads.



Be Careful



Optional



Drill



Remove



Do Not Cement



Instant Glue for Metal

PAINTS REQUIRED

Color info and profiles by Mig Jimenez

A.MIG-0925 RLM 83
Olive Drab Dark

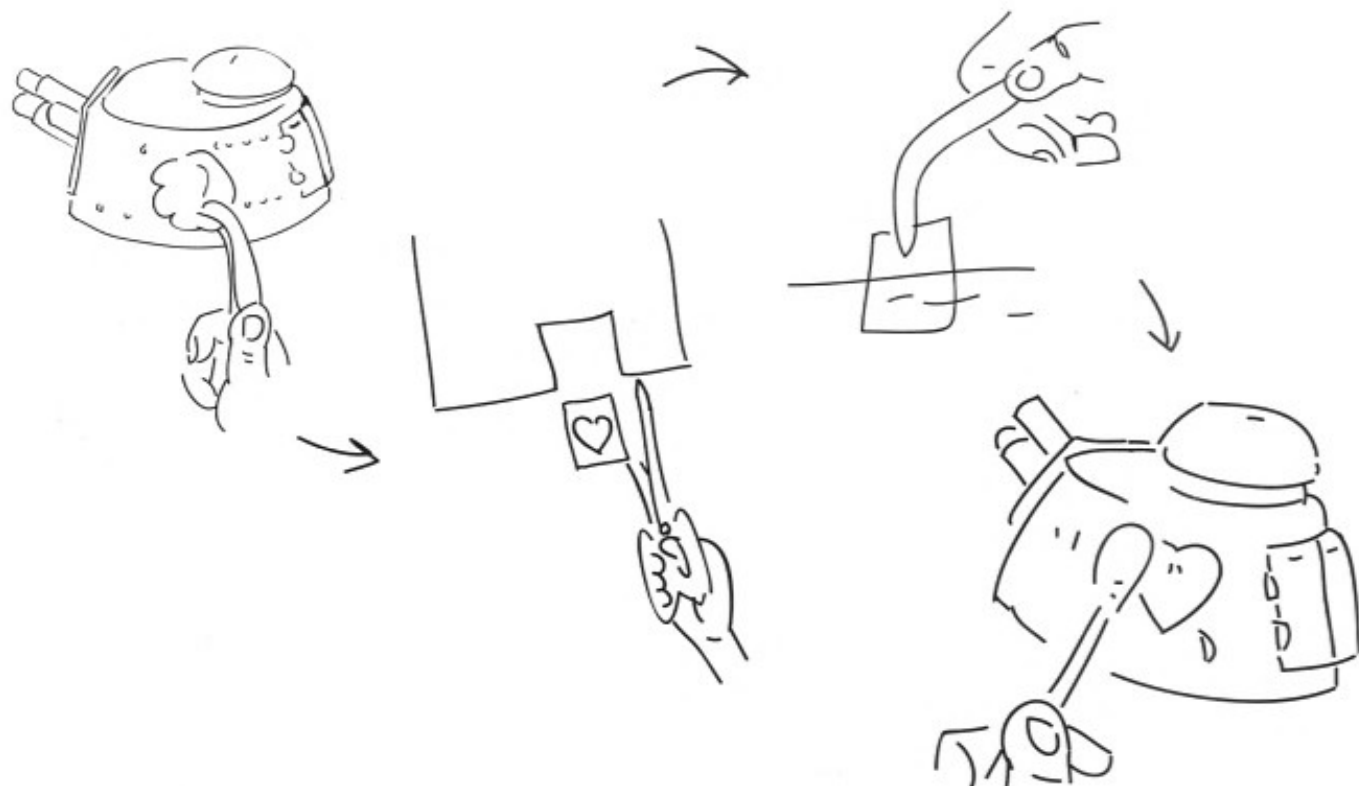
A.MIG-0278 Nato Black

A.MIG-0033 Rubber & Tires

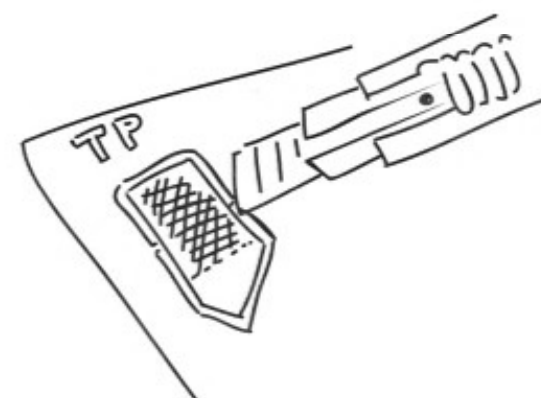
A.MIG-0045 Gun Metal

APPLYING DECALS

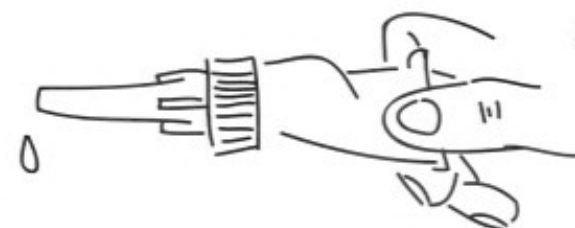
1. Clean the model surface with a wet cloth.
2. Cut out each decal design from sheet, and dip it in tepid water for 15~20 sec.
3. Hold the backing sheet edge and slide decal onto the model.
4. Move decal into position by wetting decal with finger.
5. Press decal gently down with a soft cloth until excess water and air bubbles are gone.



REMOVING PE



Be careful not to hurt when removing PE parts.

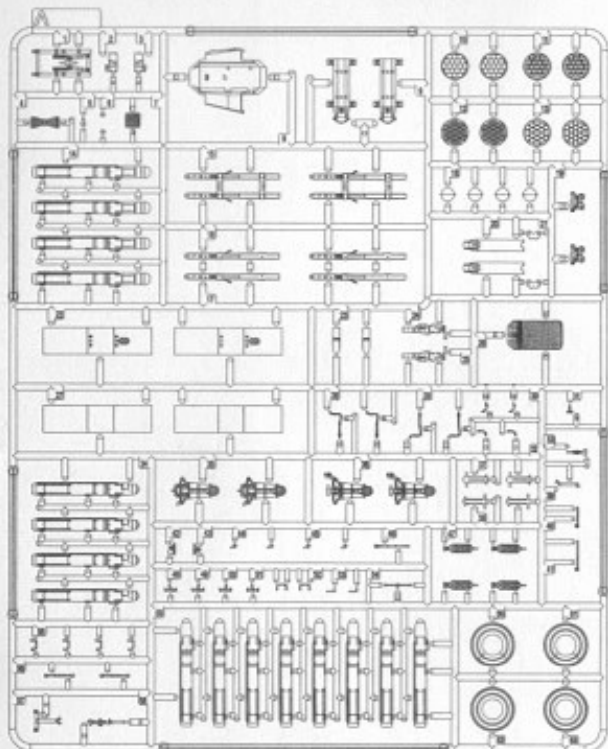


Secure using instant glue (not included).

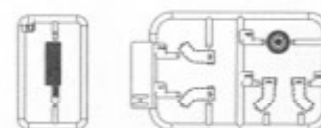
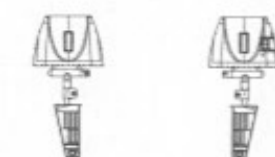
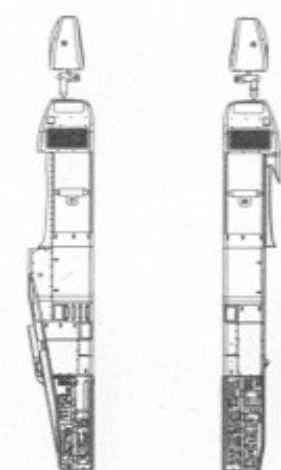
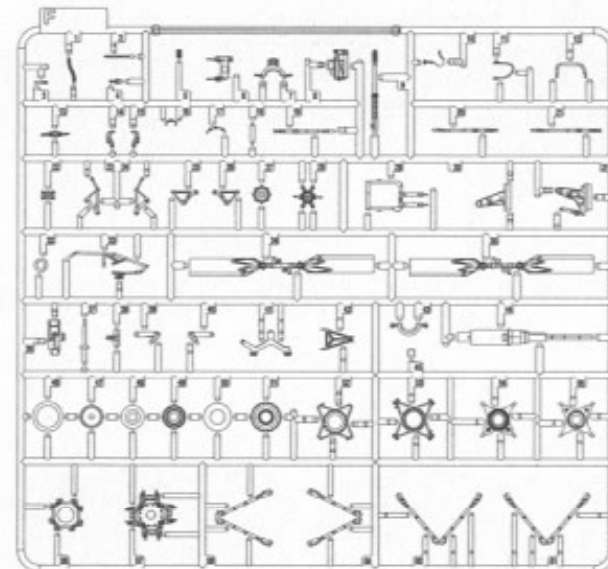
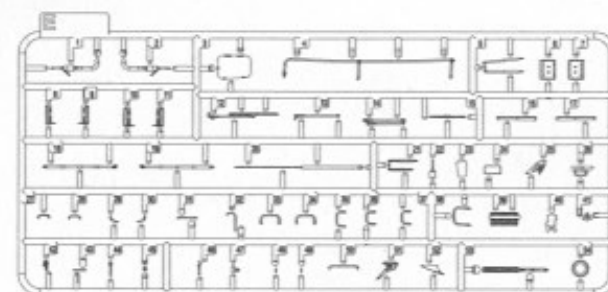
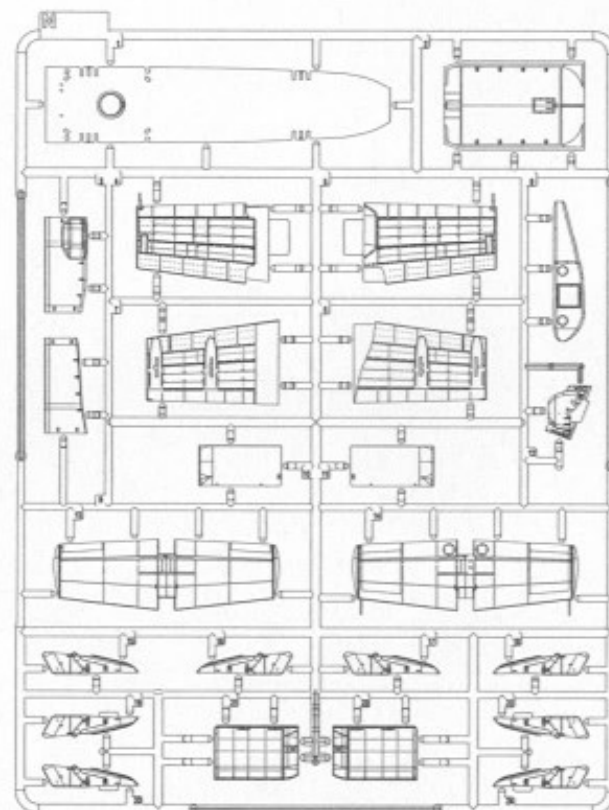
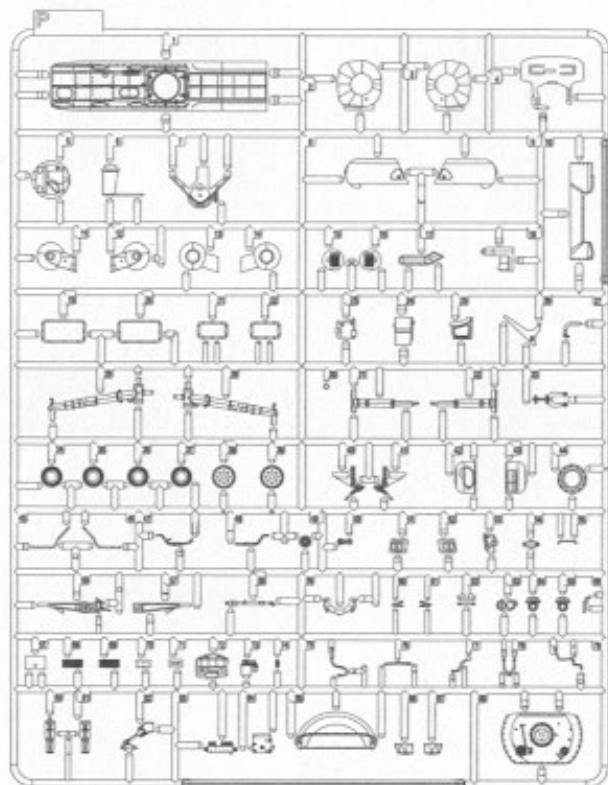


Finish using file.

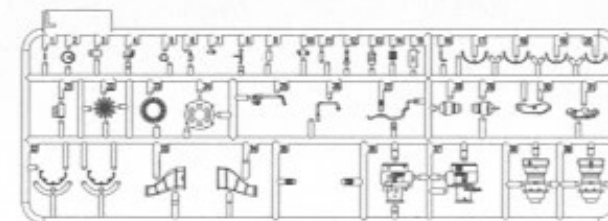
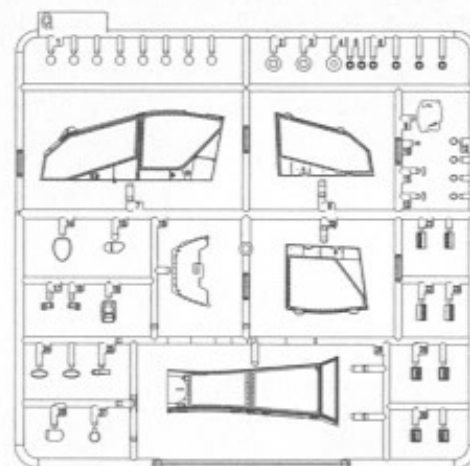
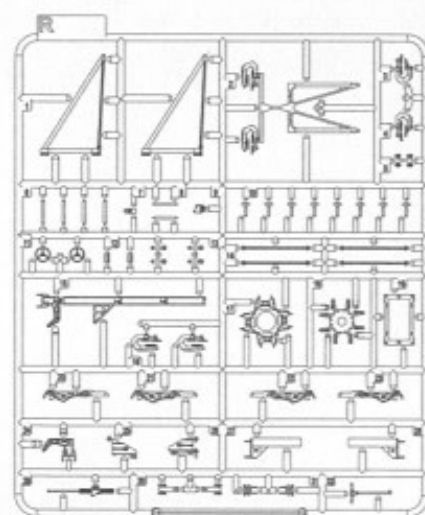
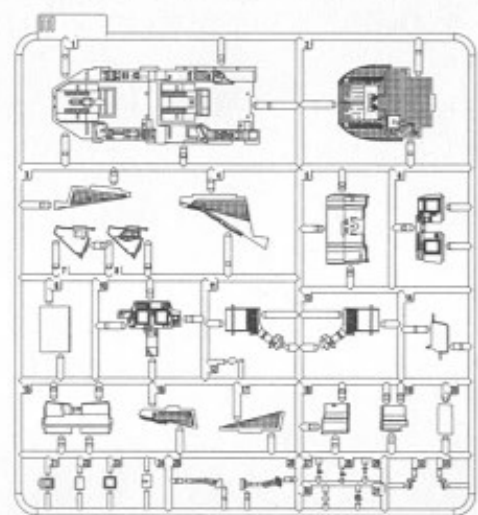
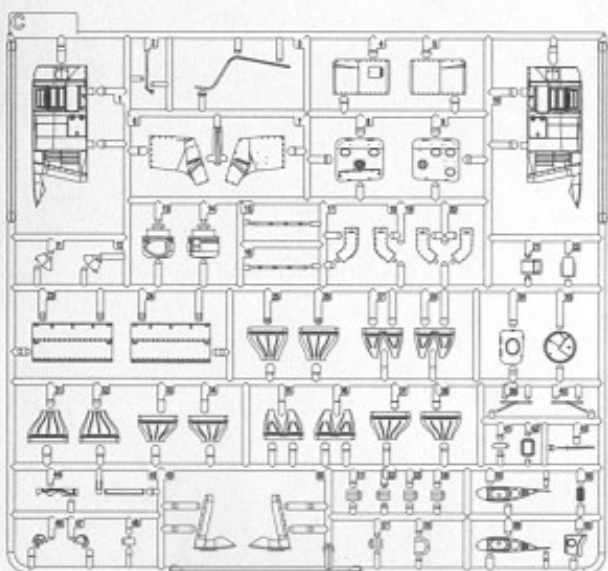
PARTS



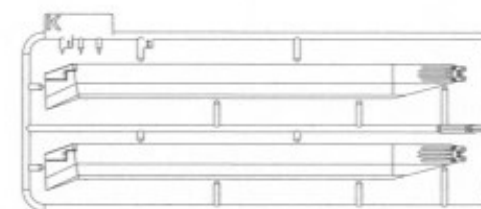
X2



X2



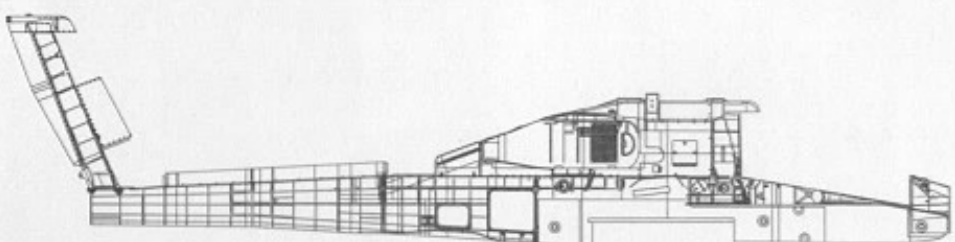
X2



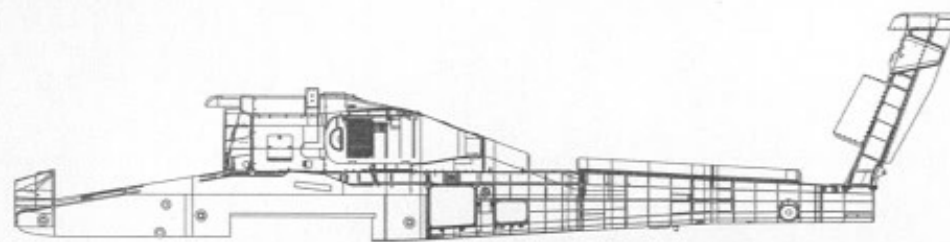
X2



Decal



S



T

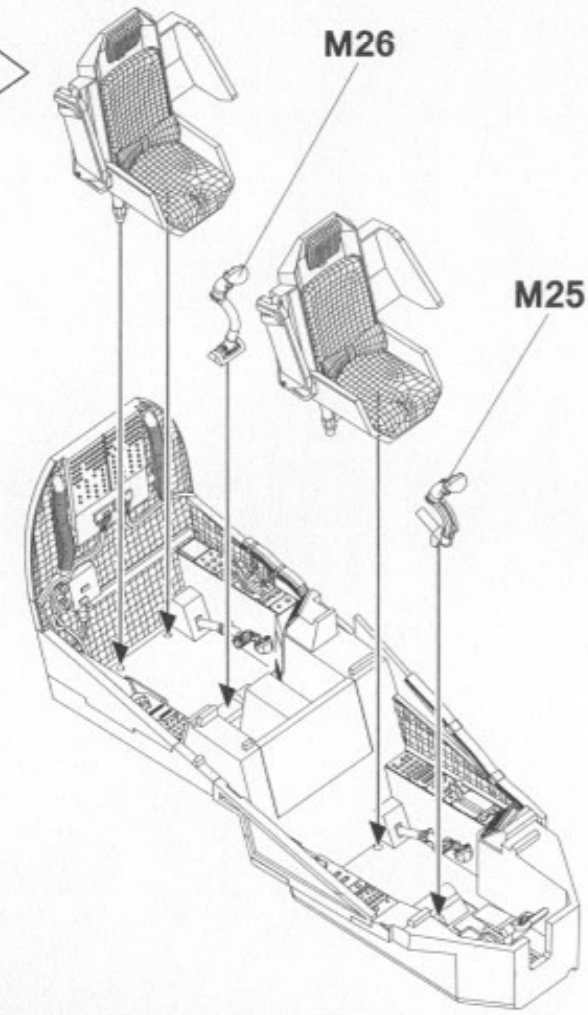
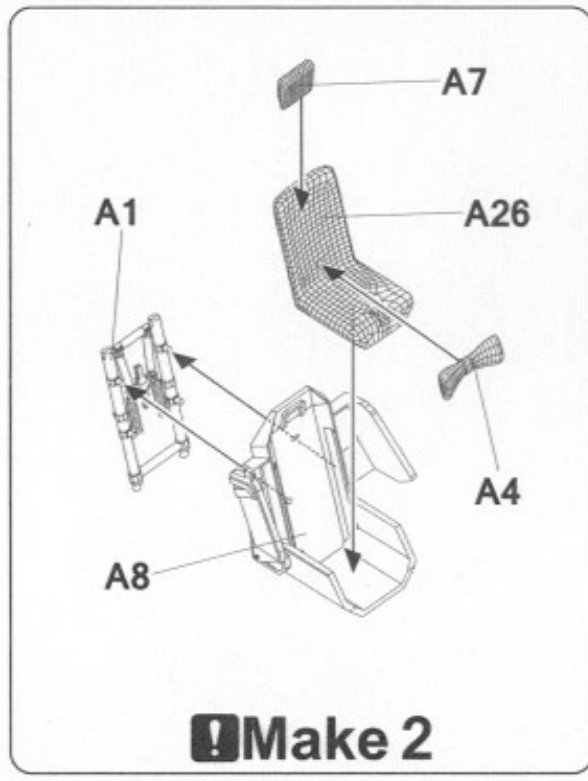
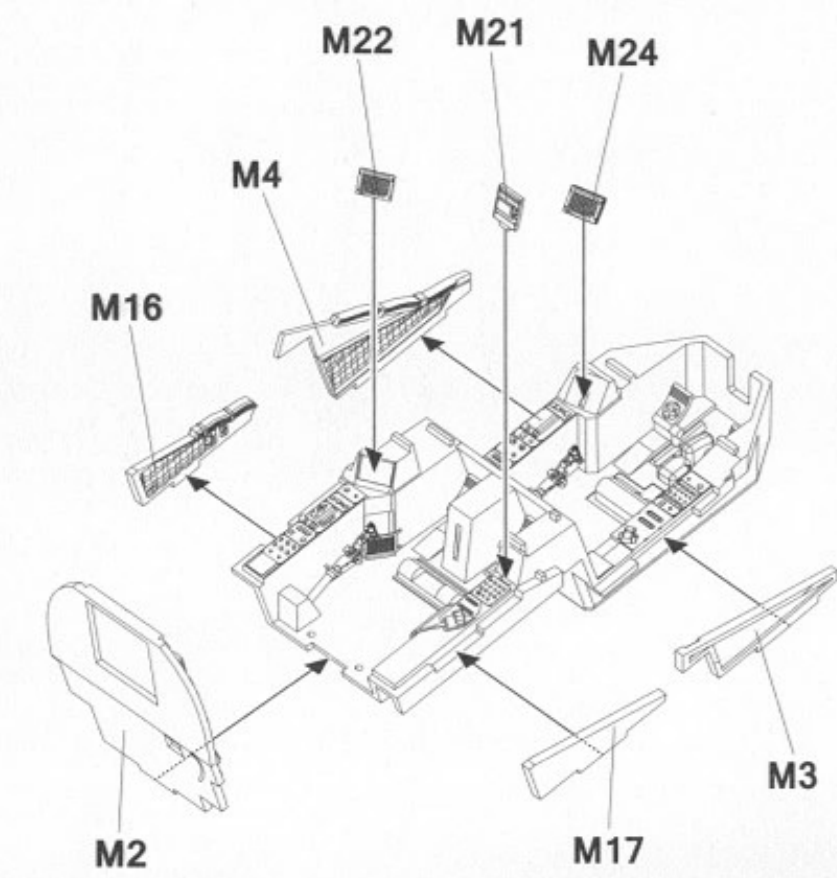
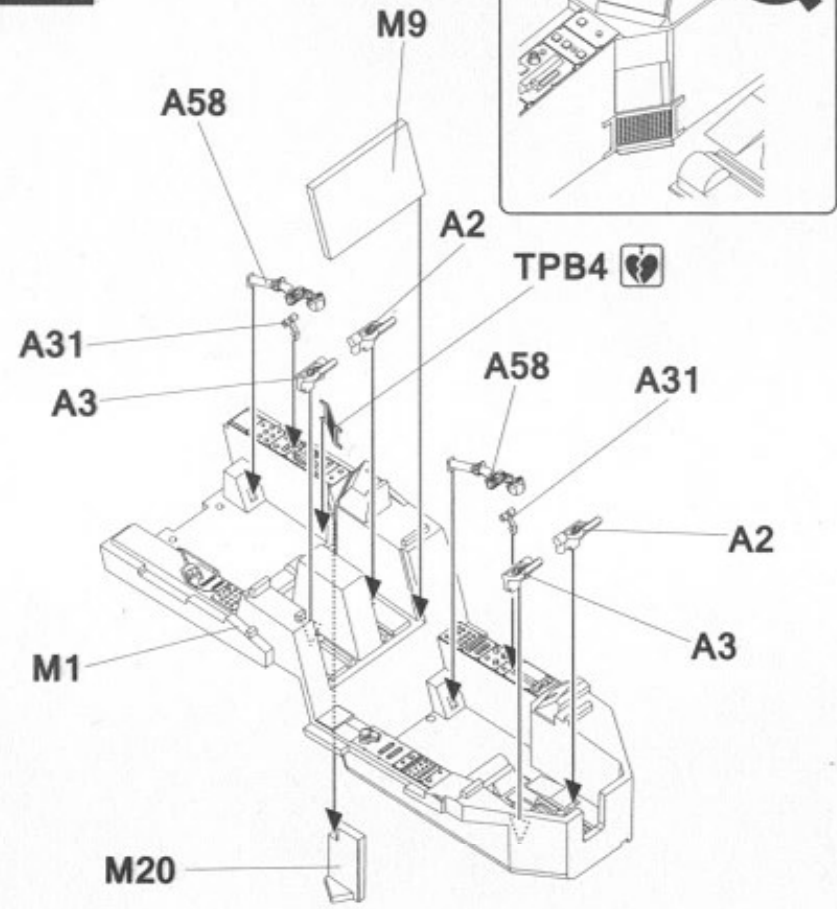
Metal Cylinder
X8

Line

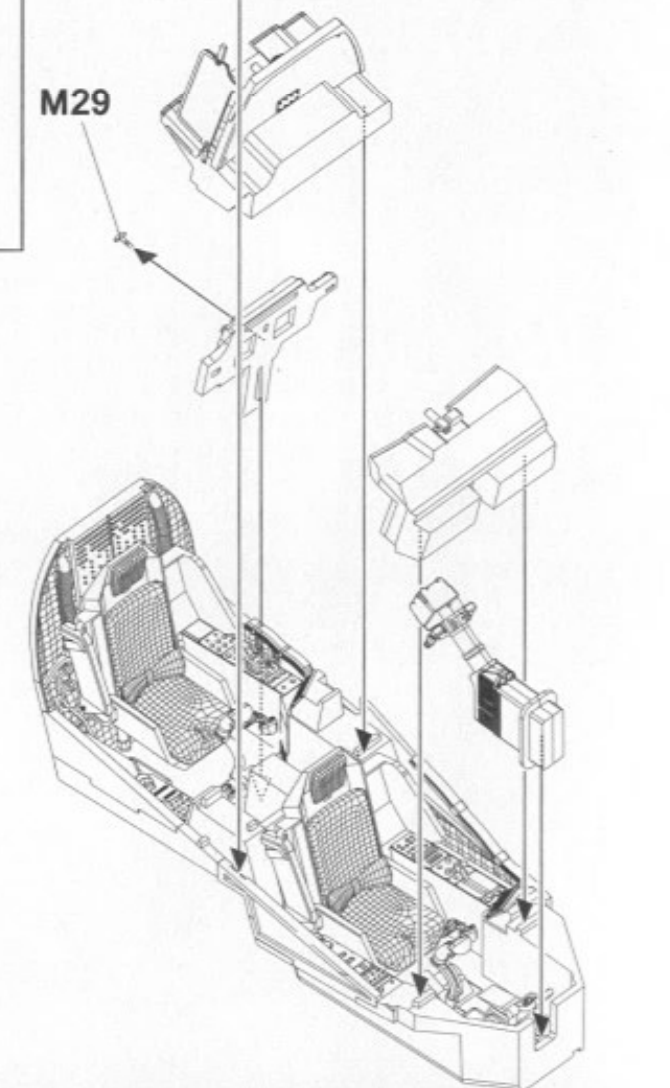
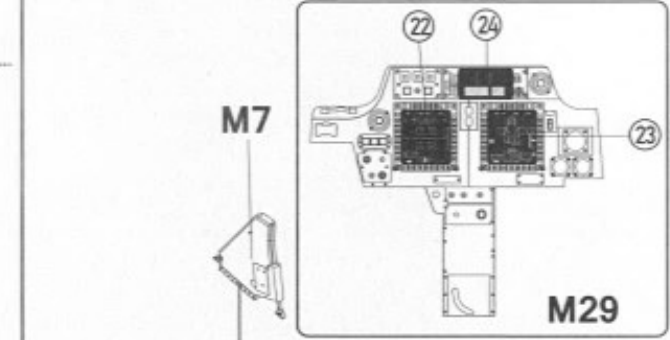
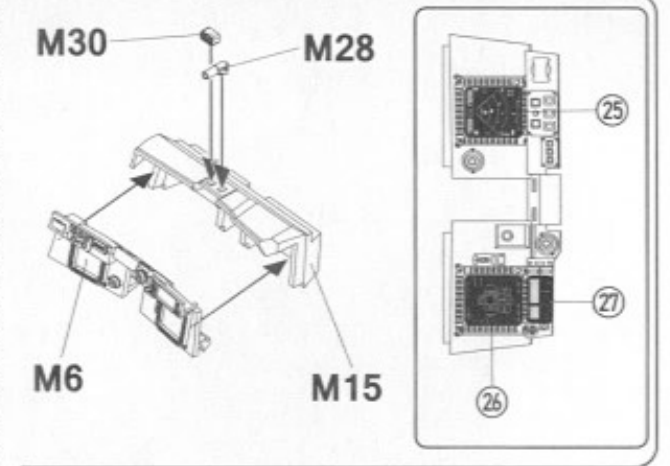
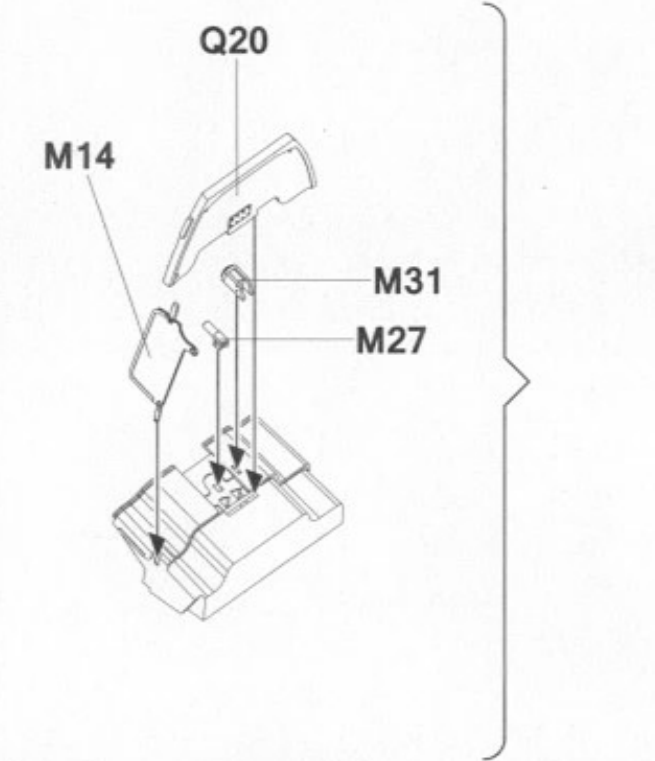
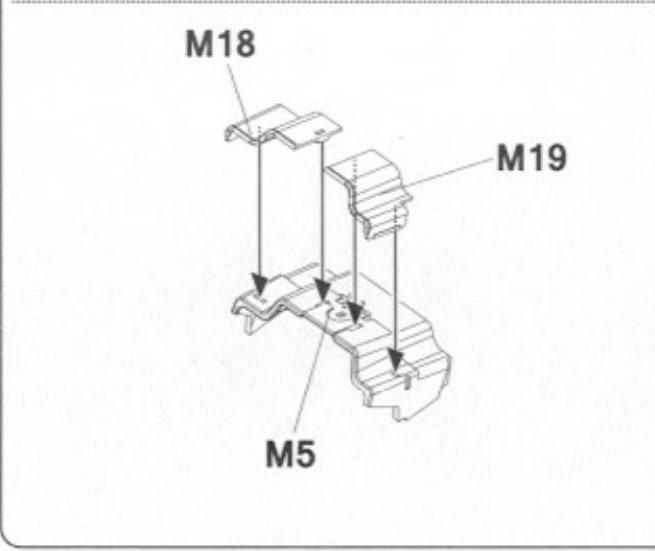
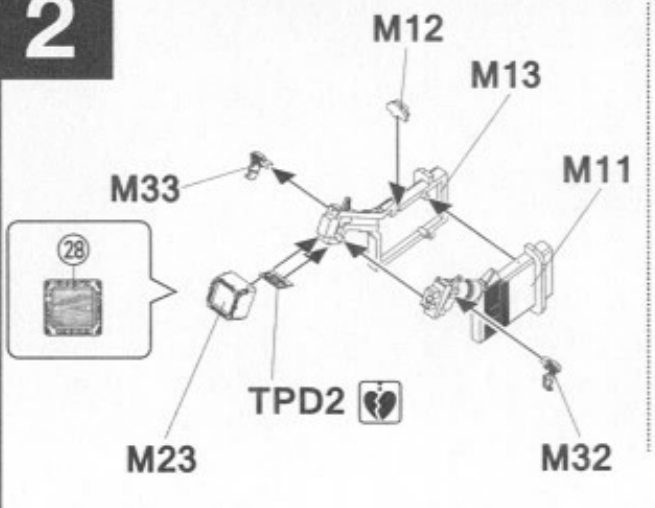


TP

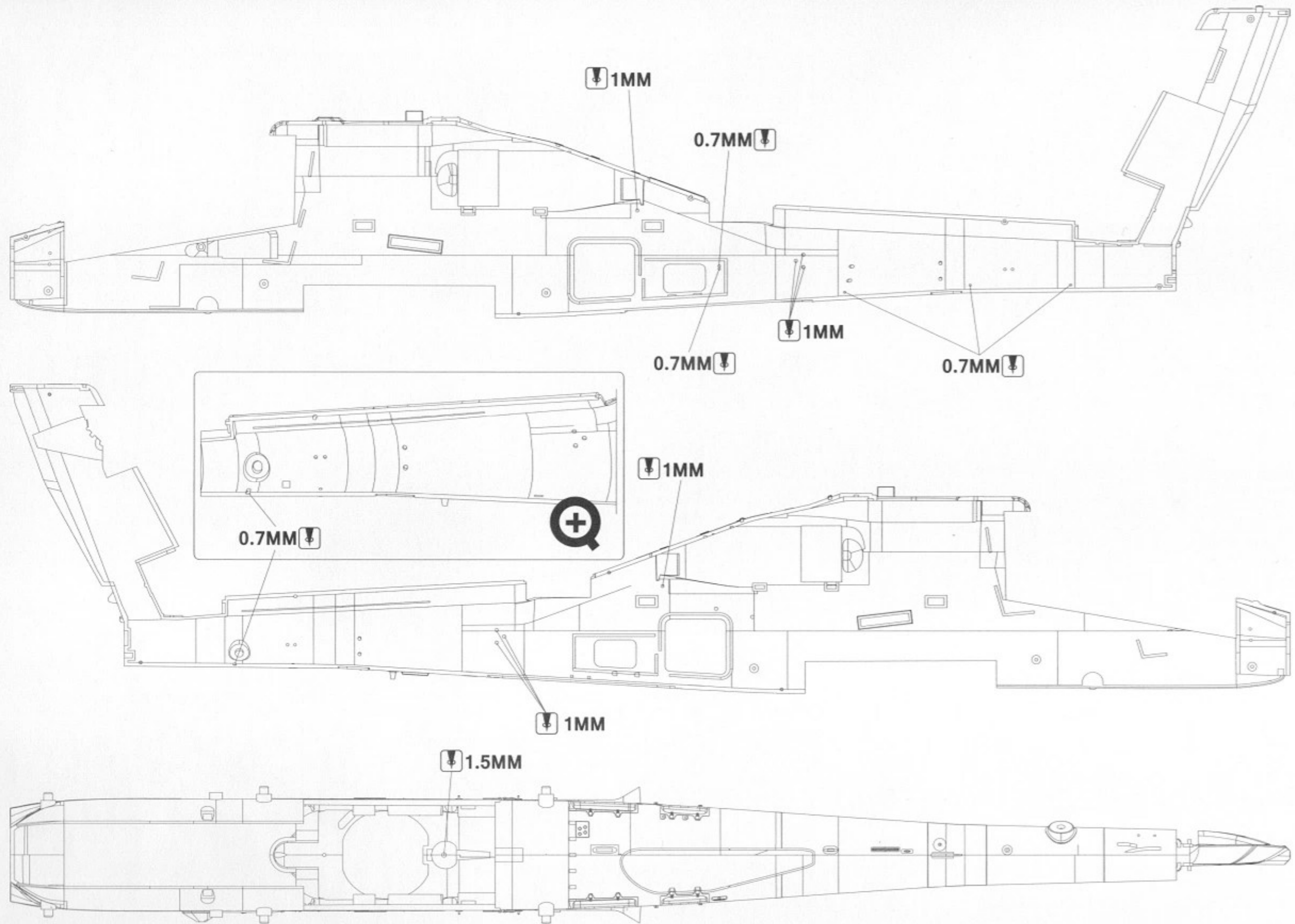
1



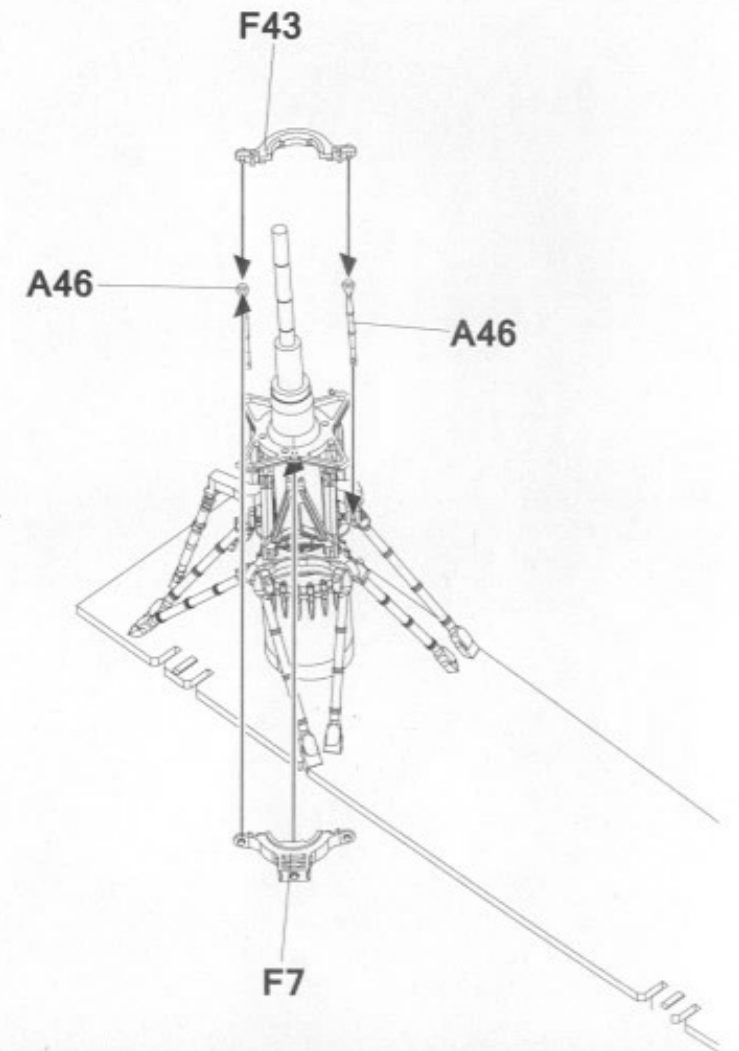
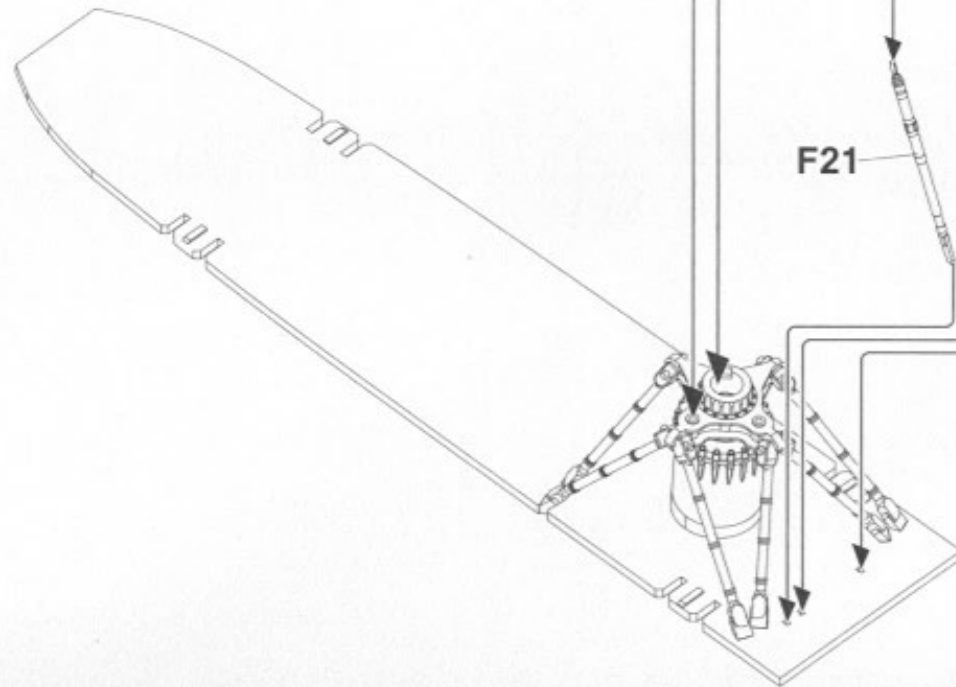
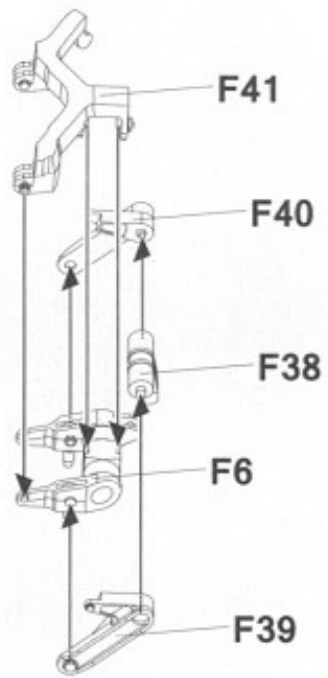
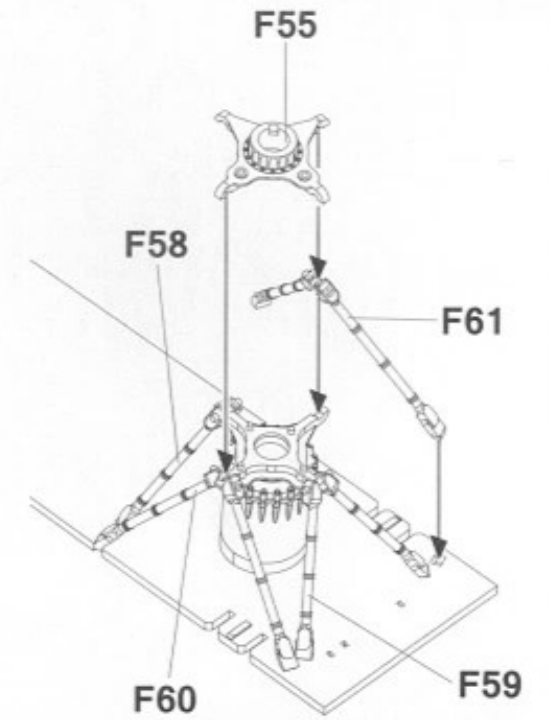
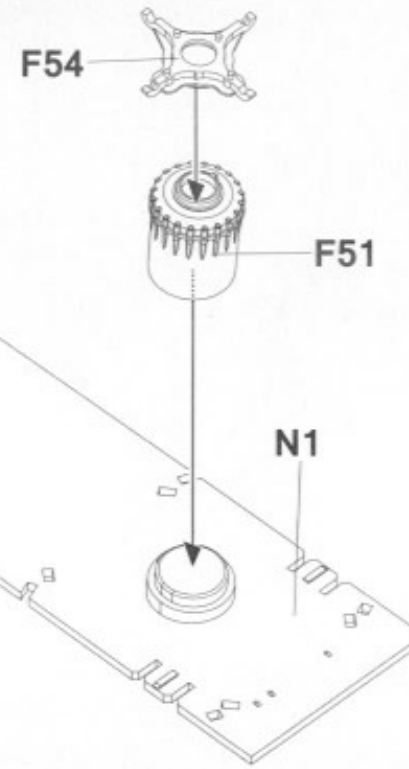
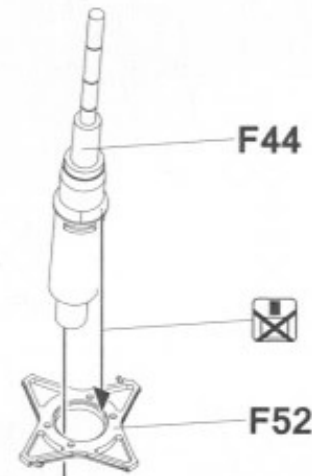
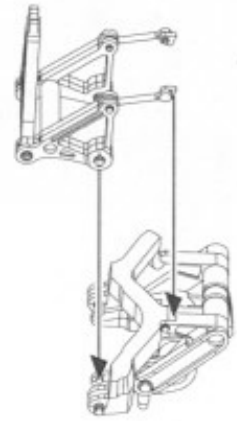
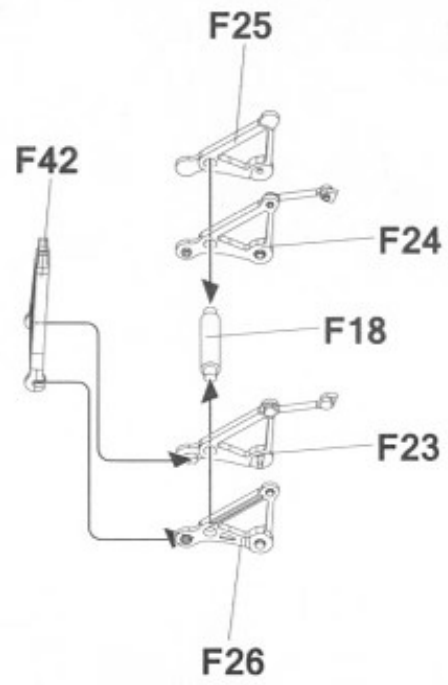
2



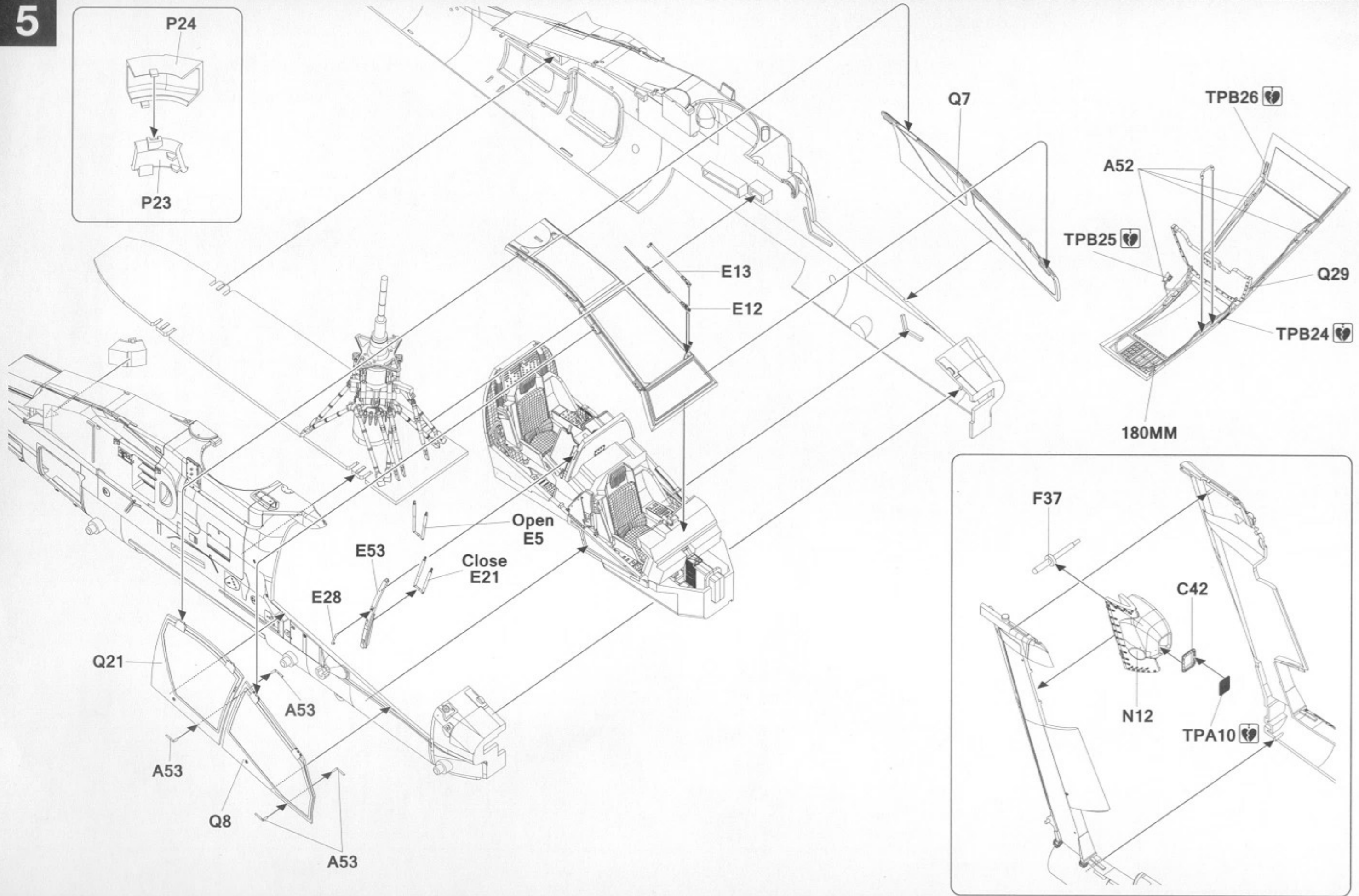
3



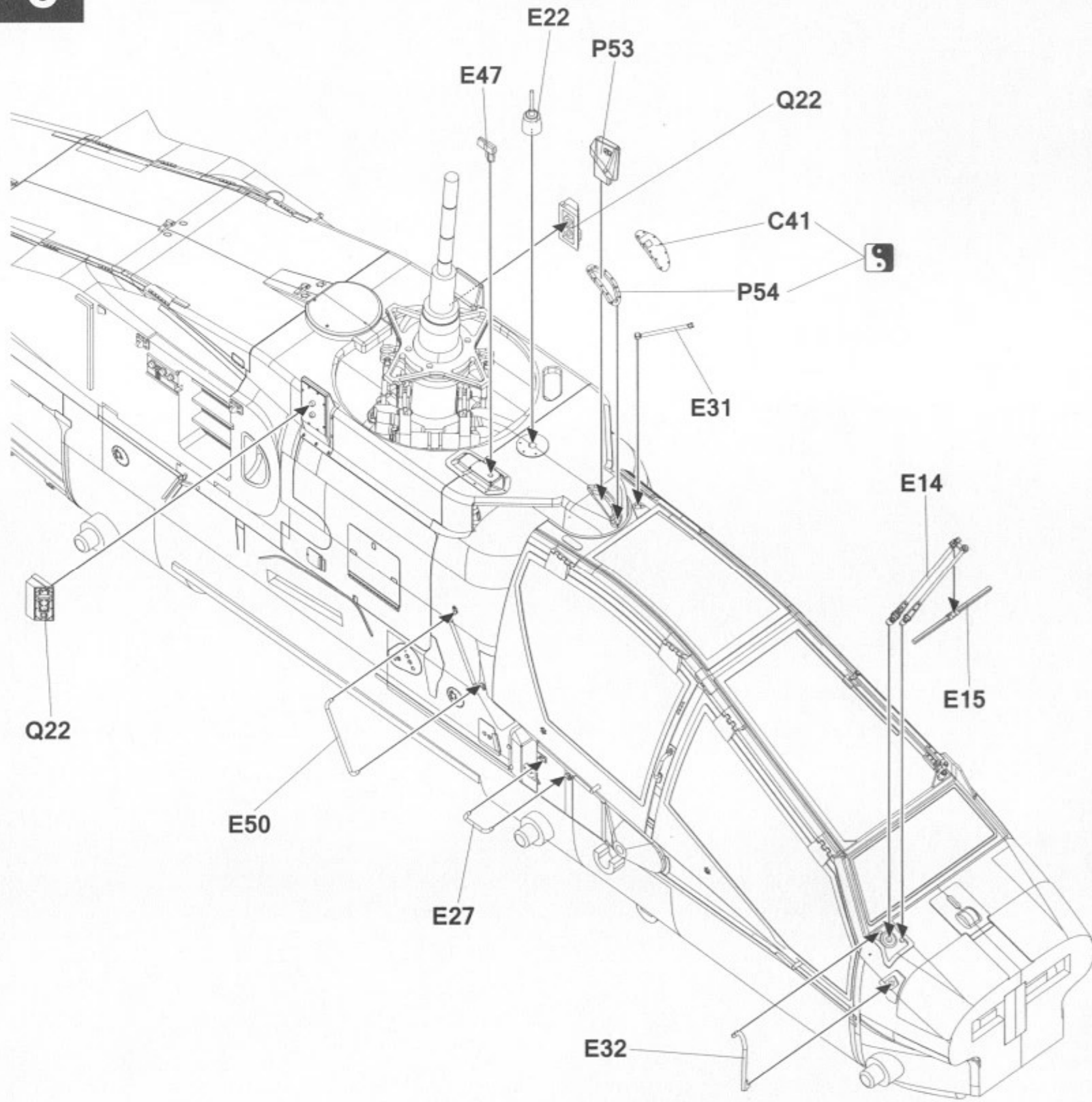
4



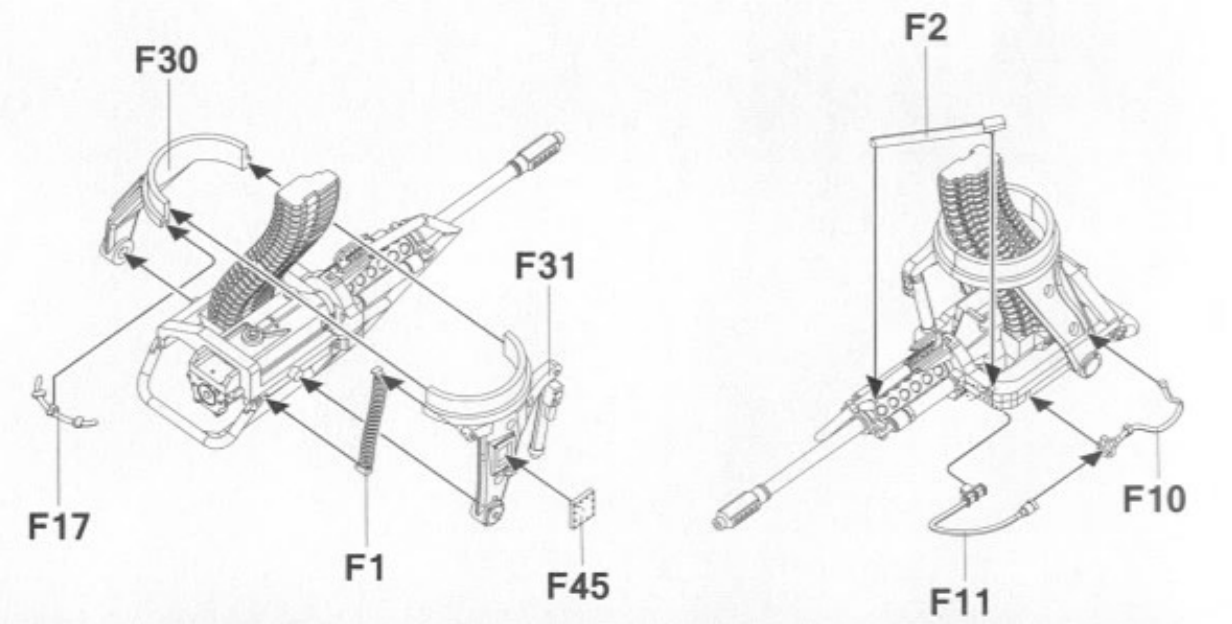
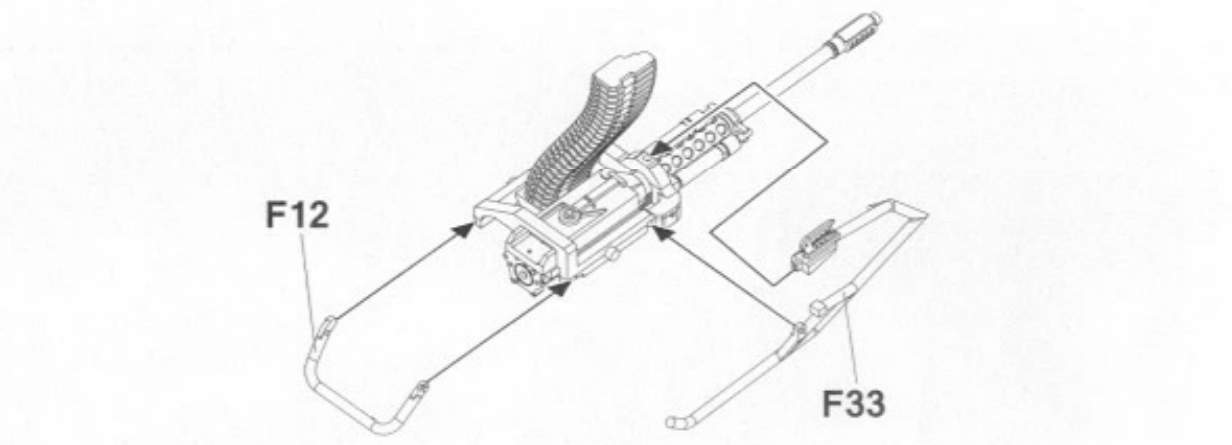
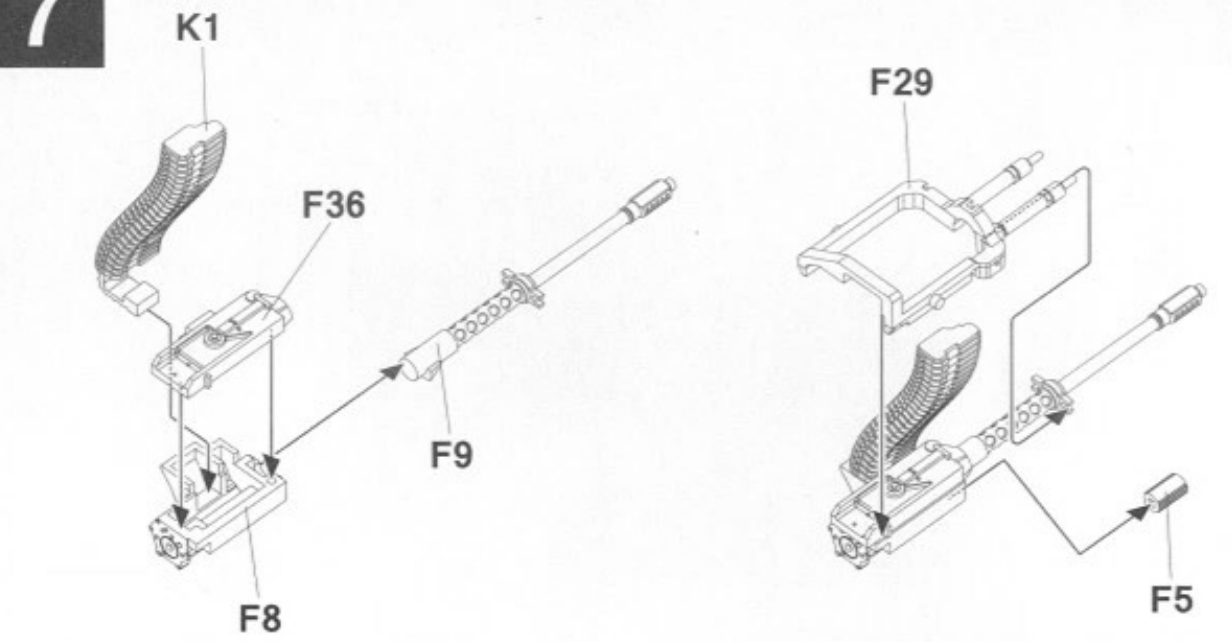
5

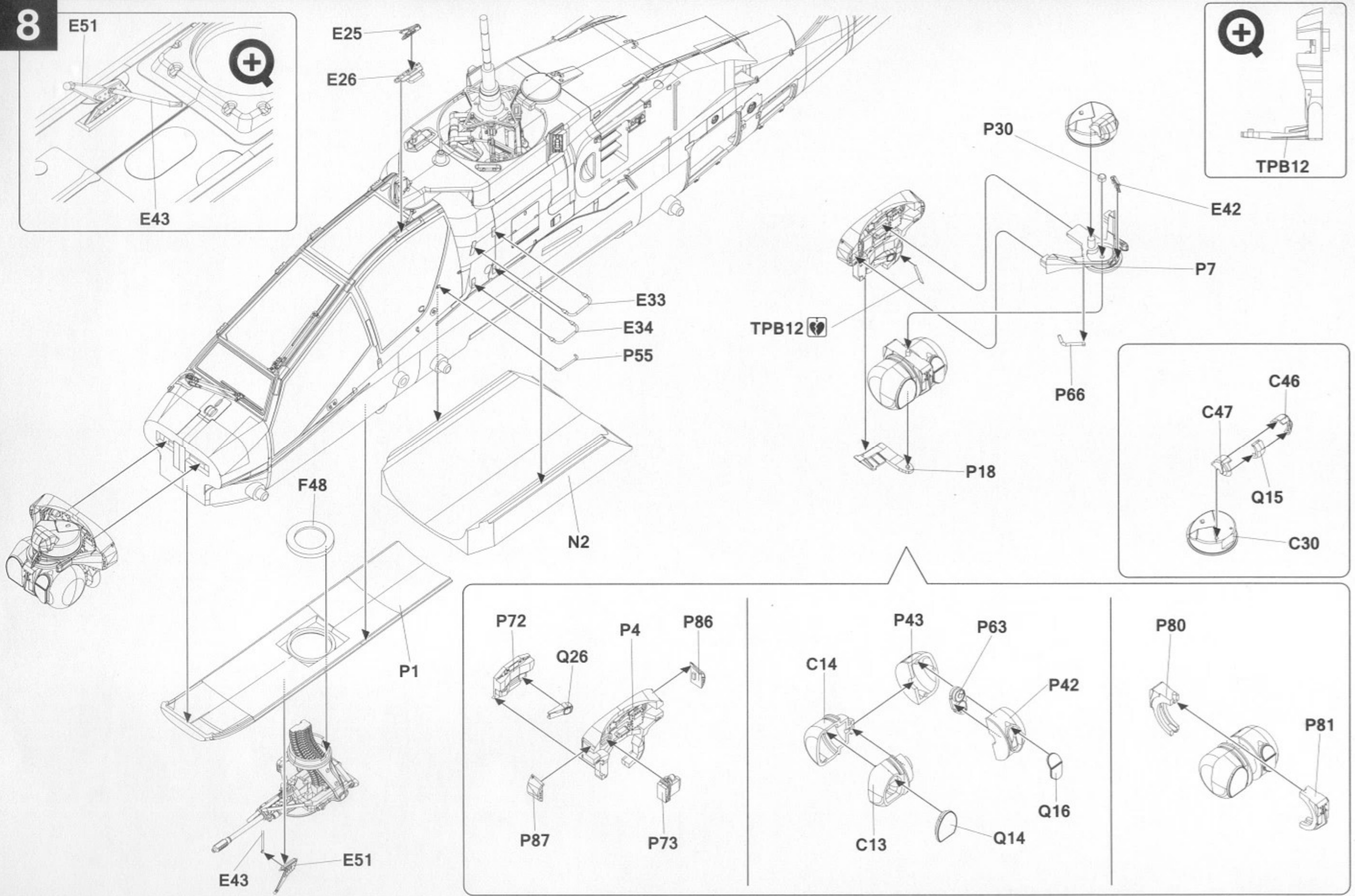


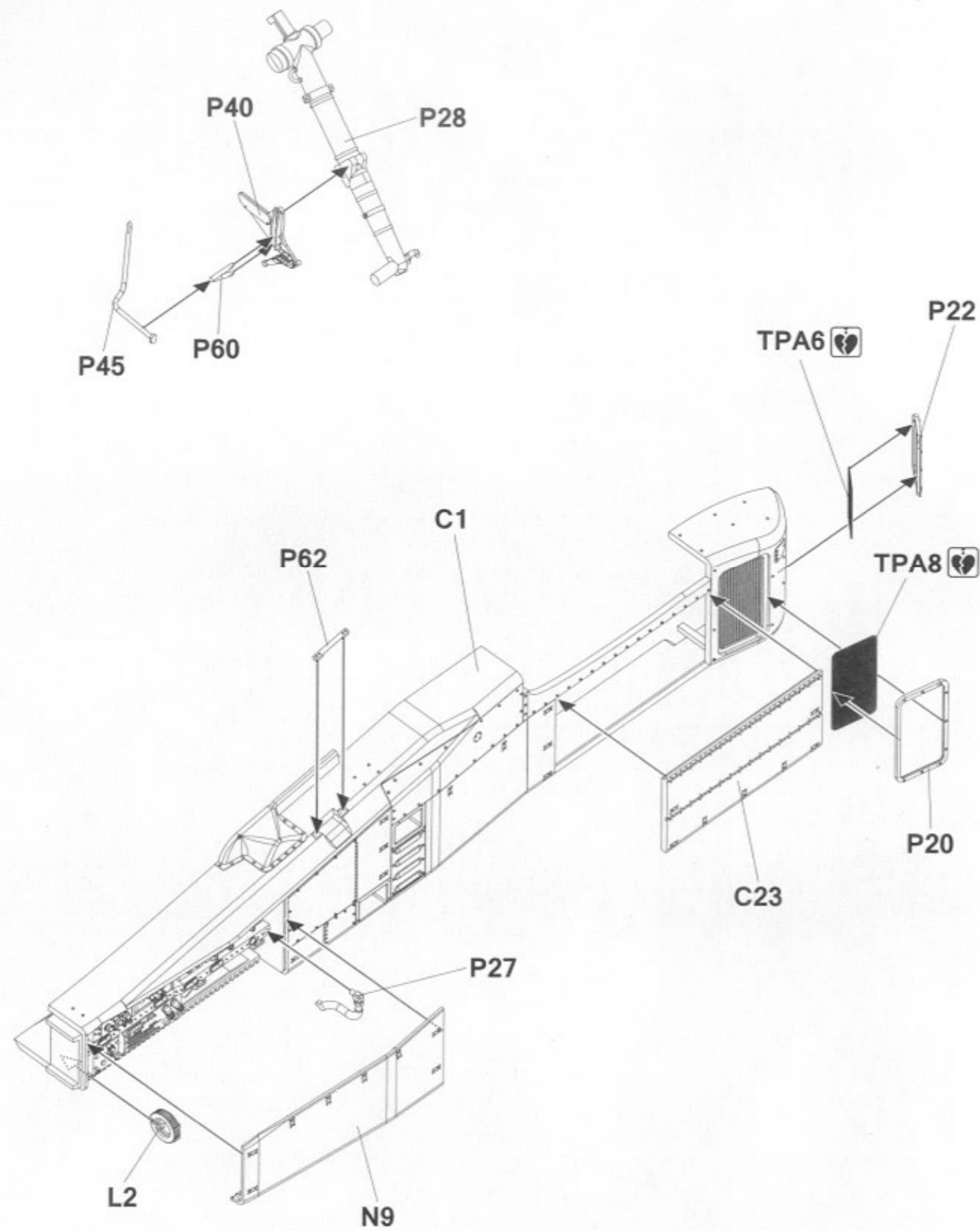
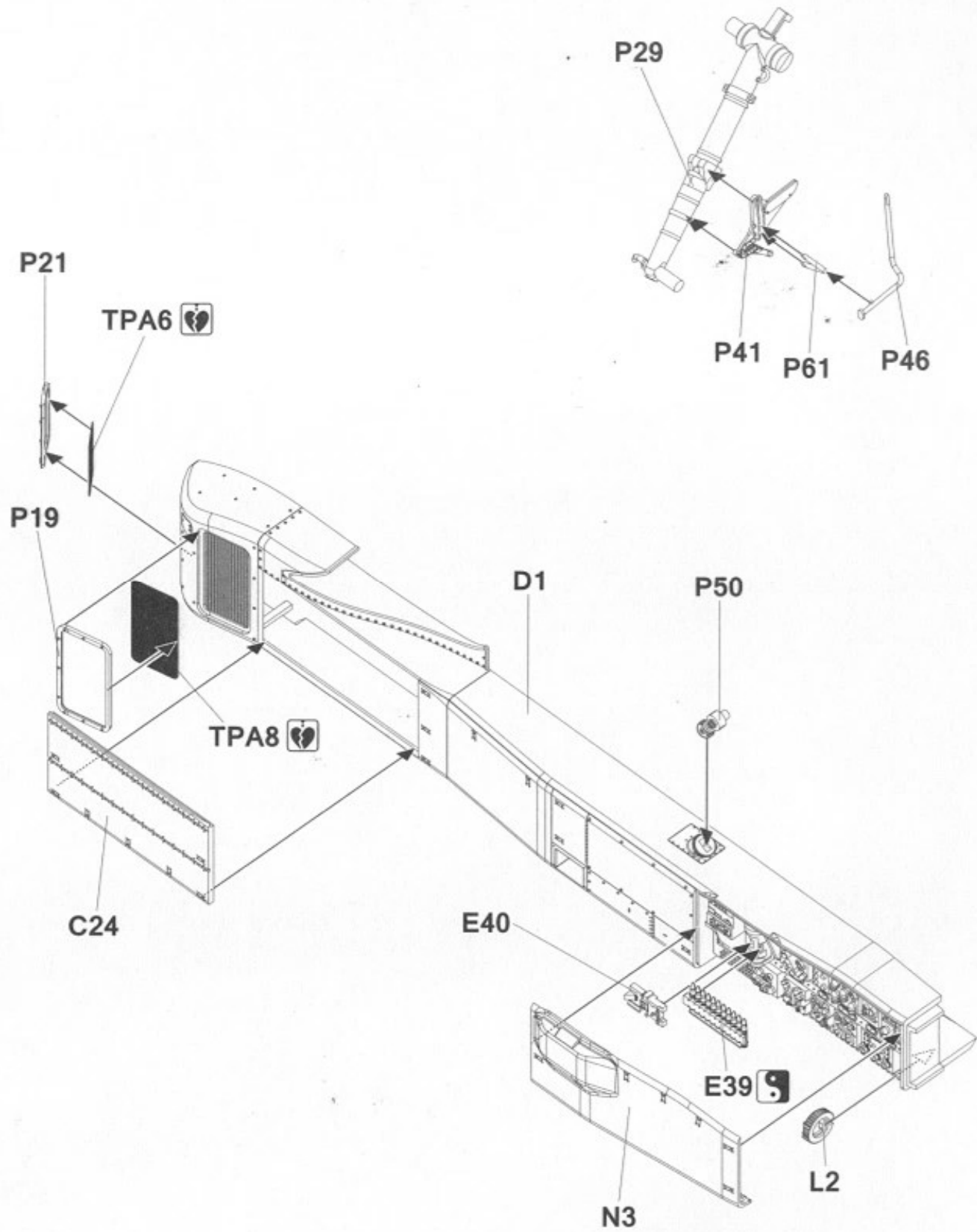
6

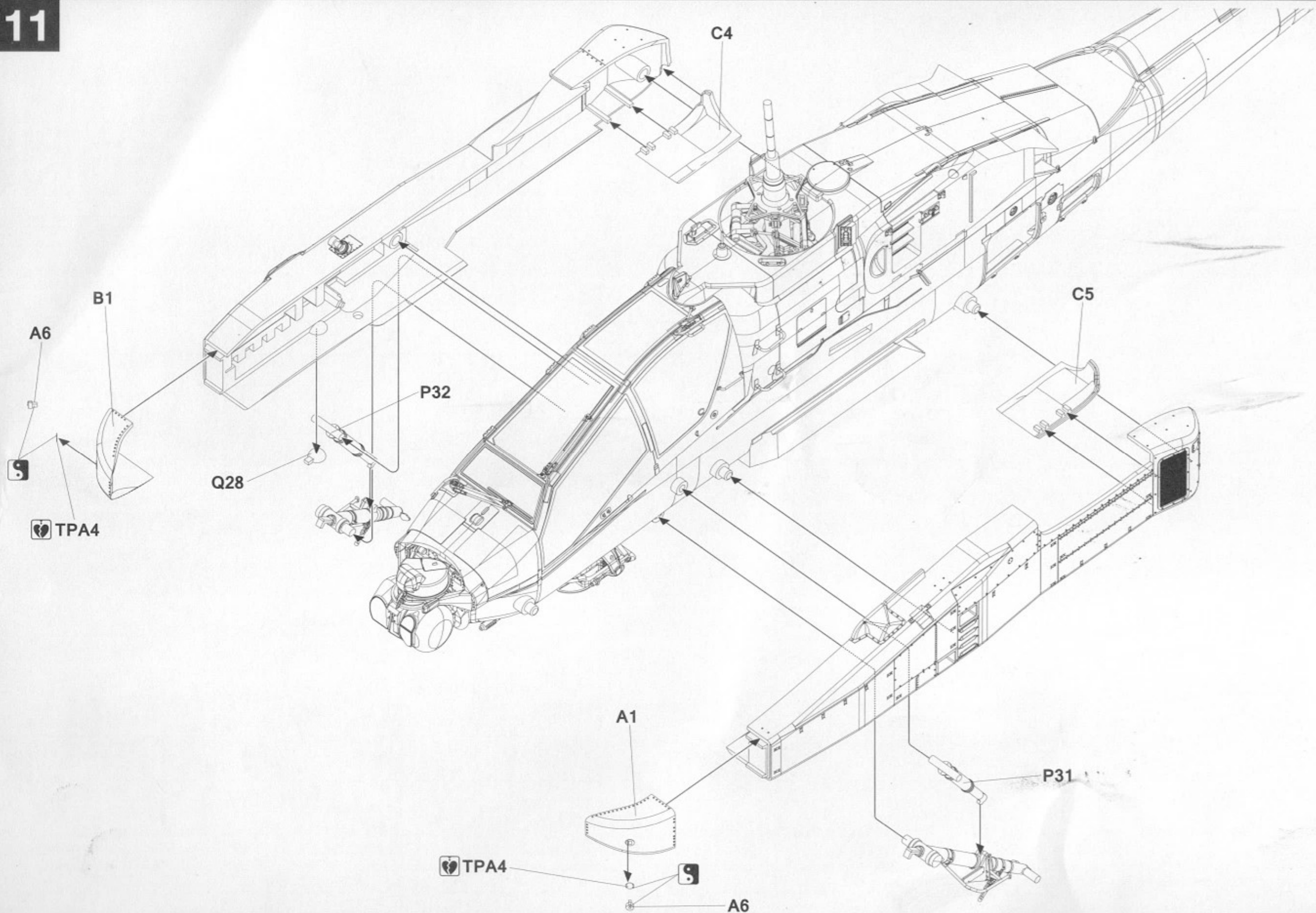


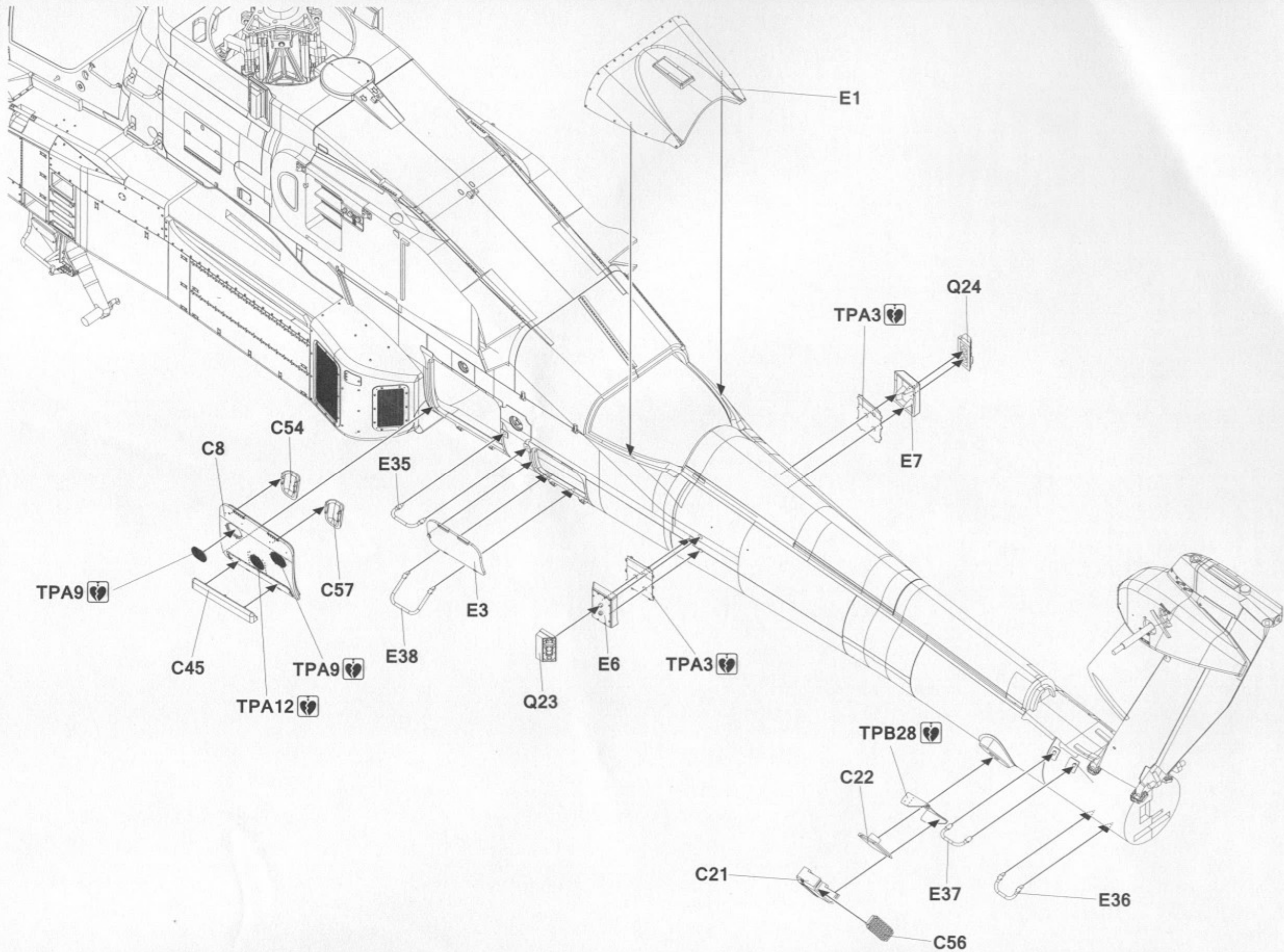
7

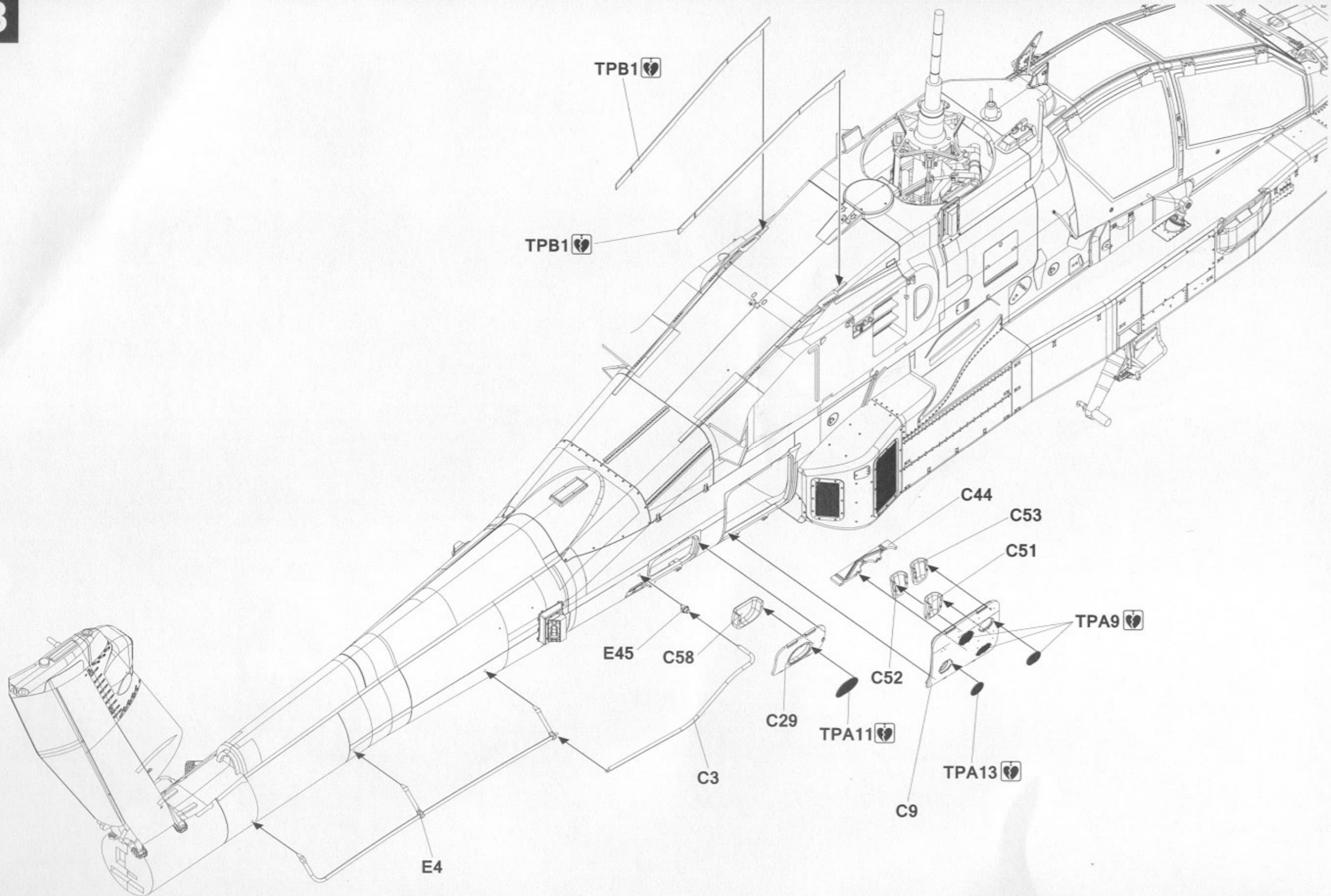


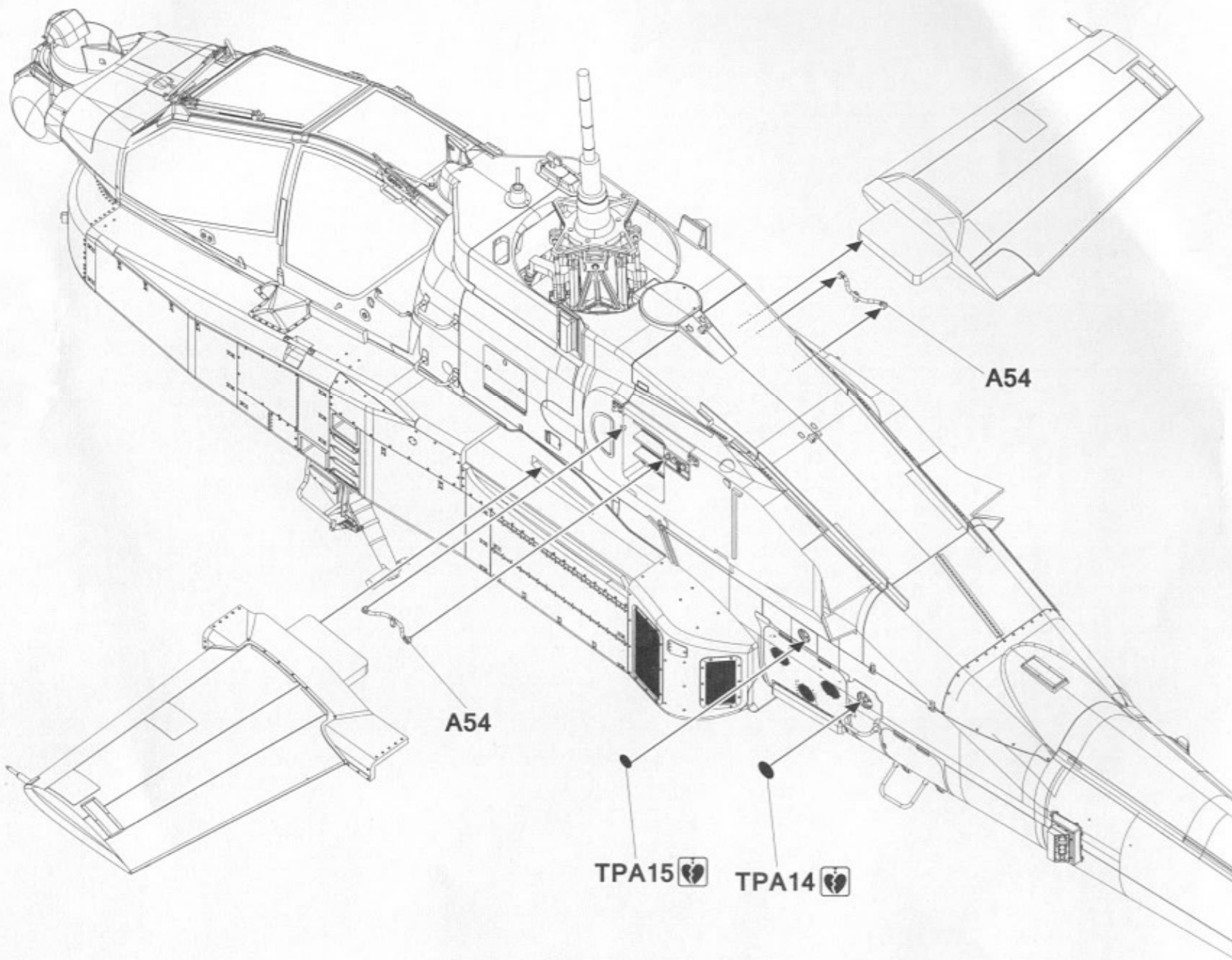
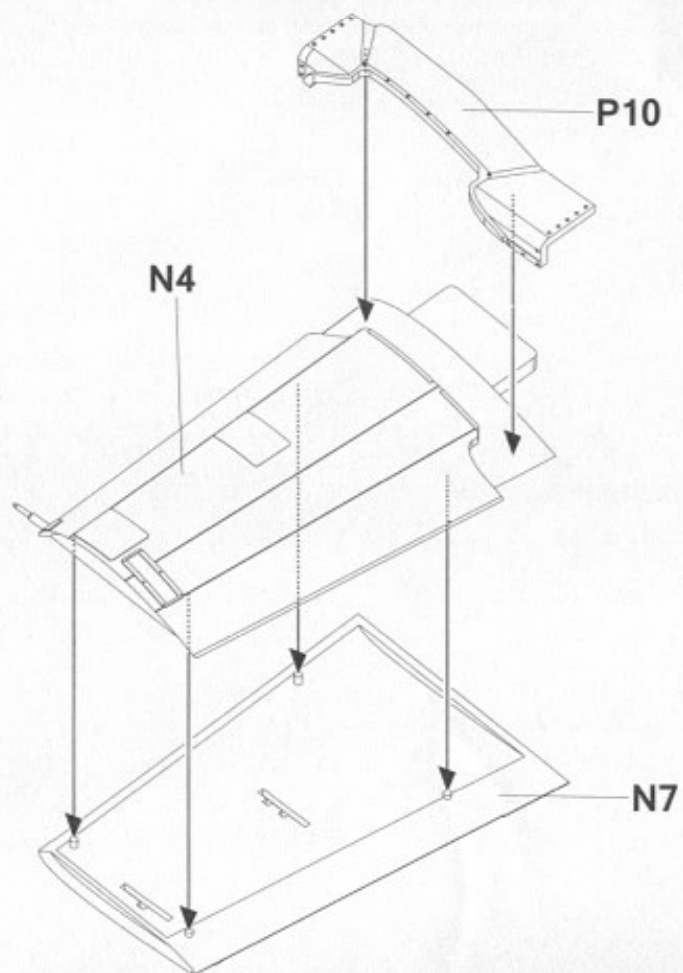
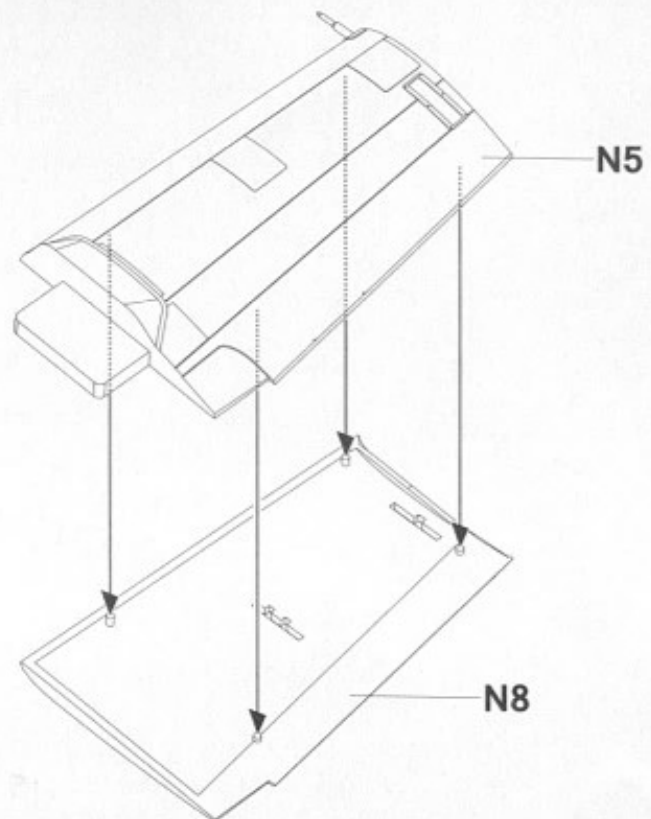




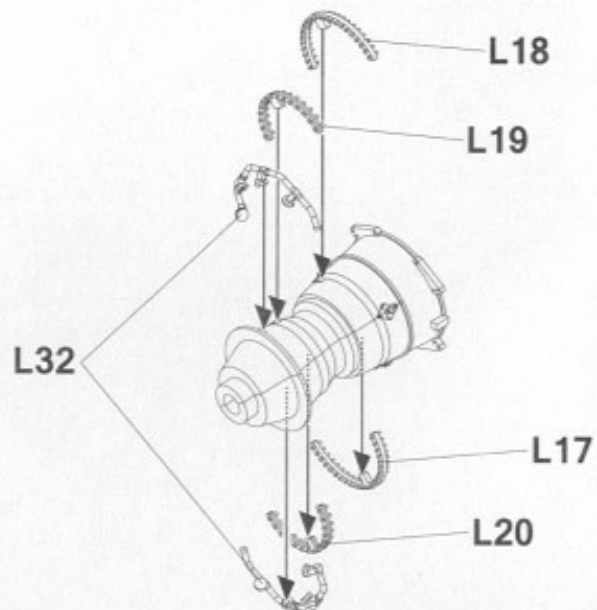
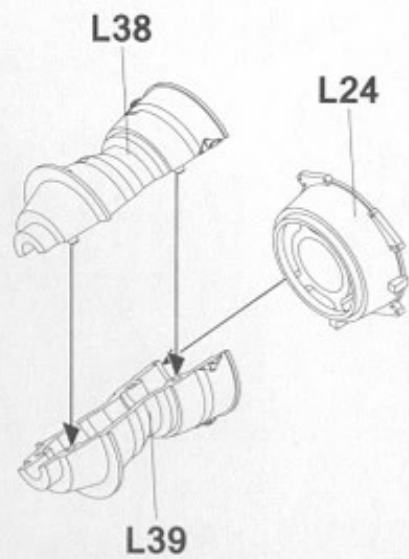
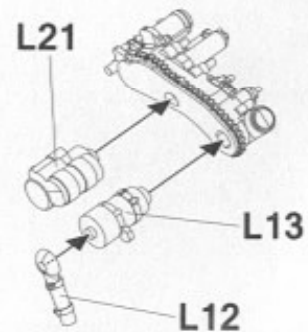
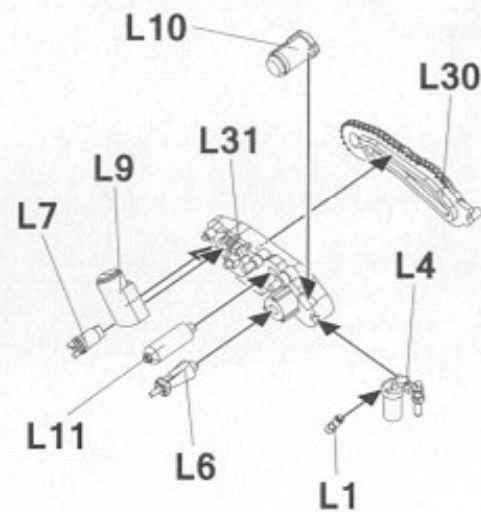
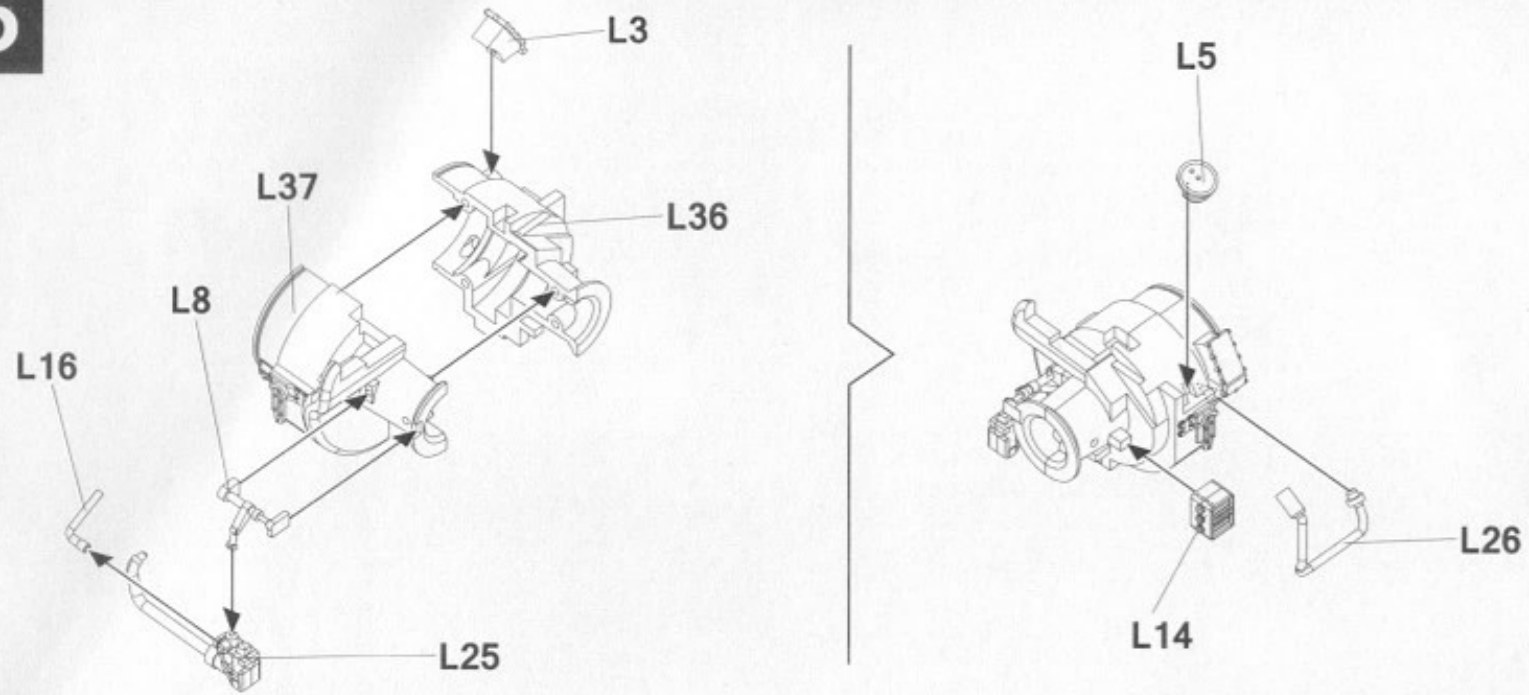




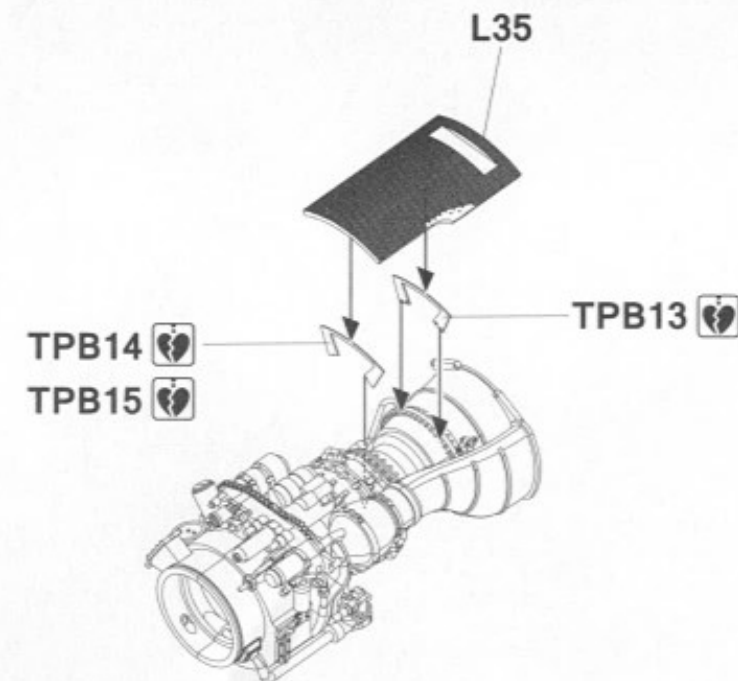
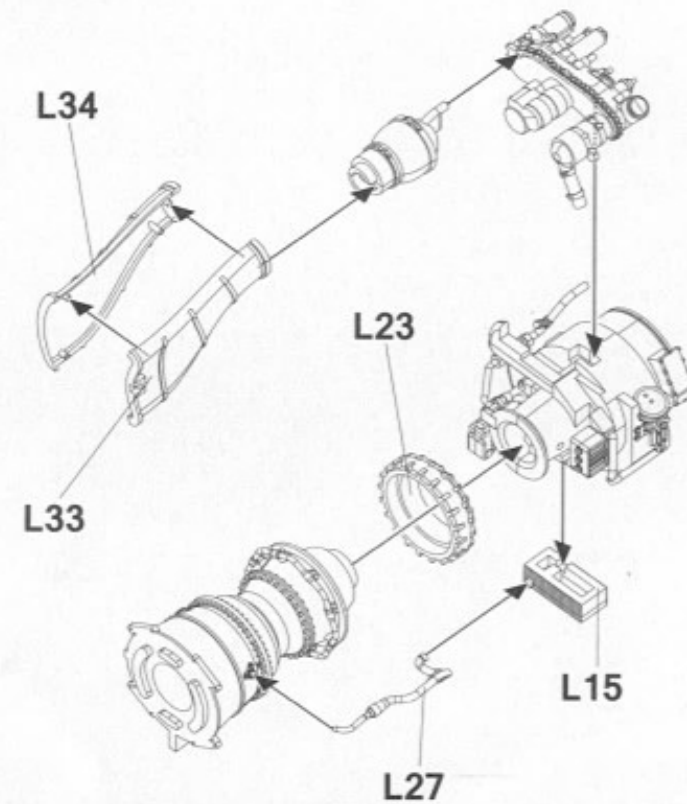




15



16



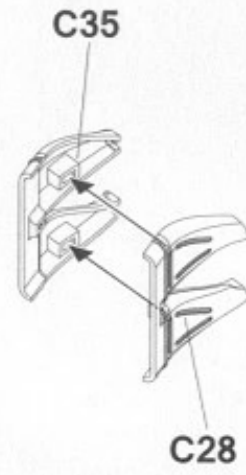
Make 2

17

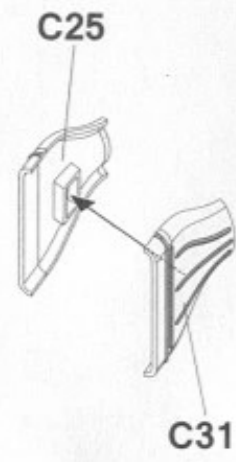
A



B

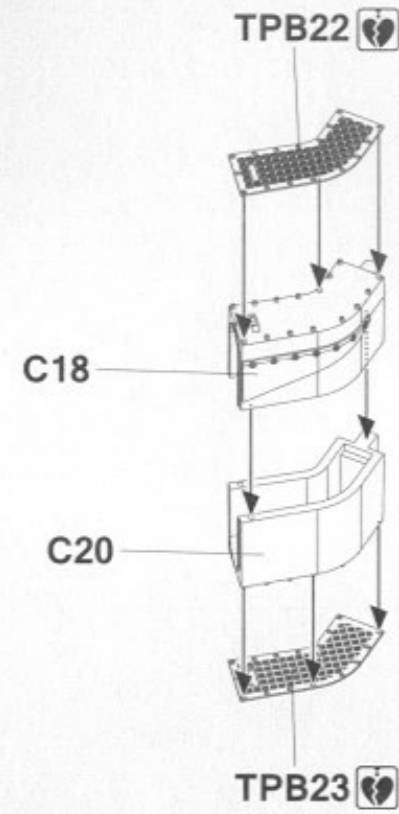


C

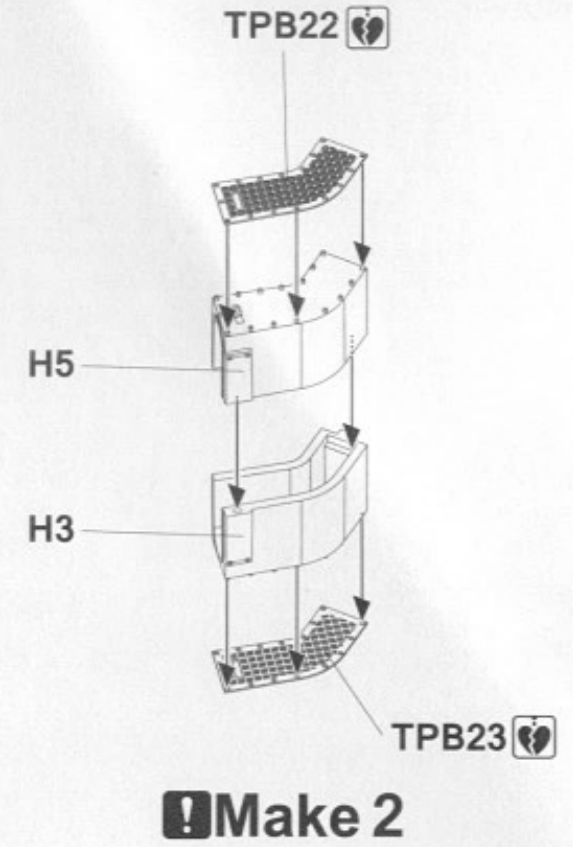


18

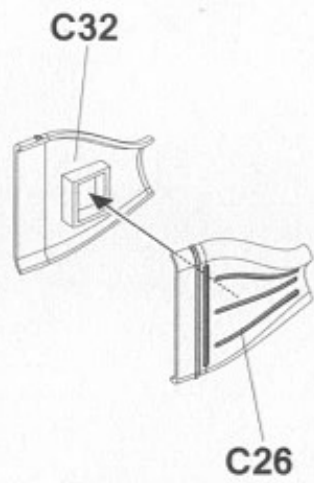
G



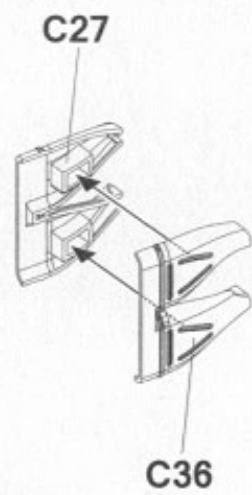
H



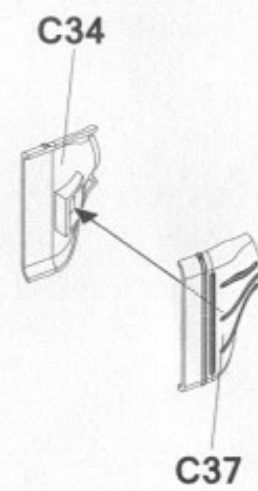
D



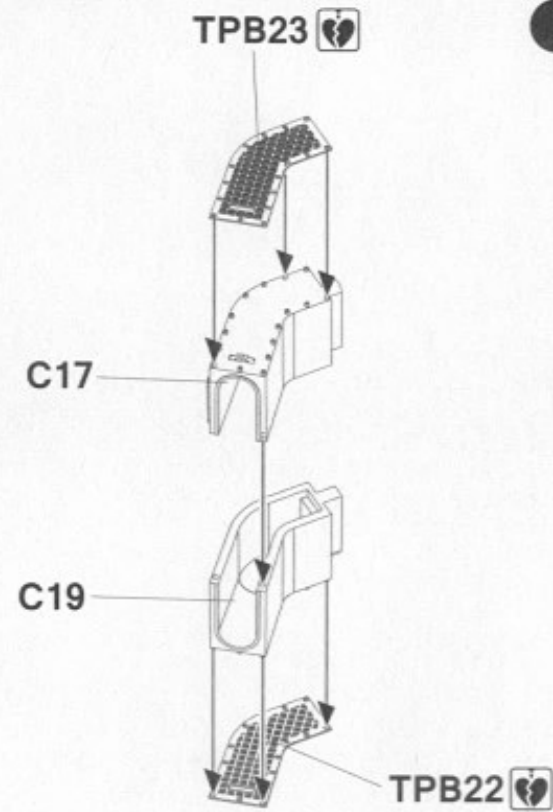
E



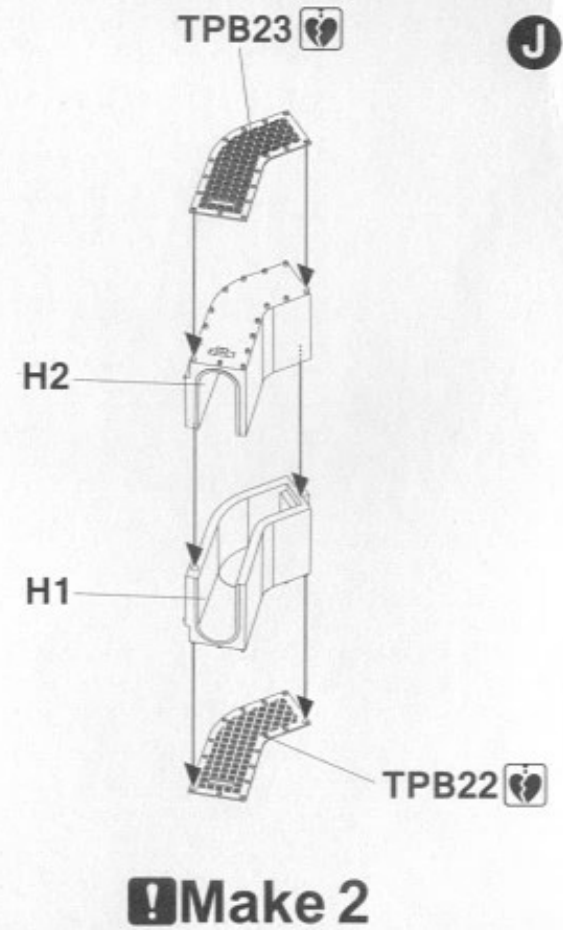
F

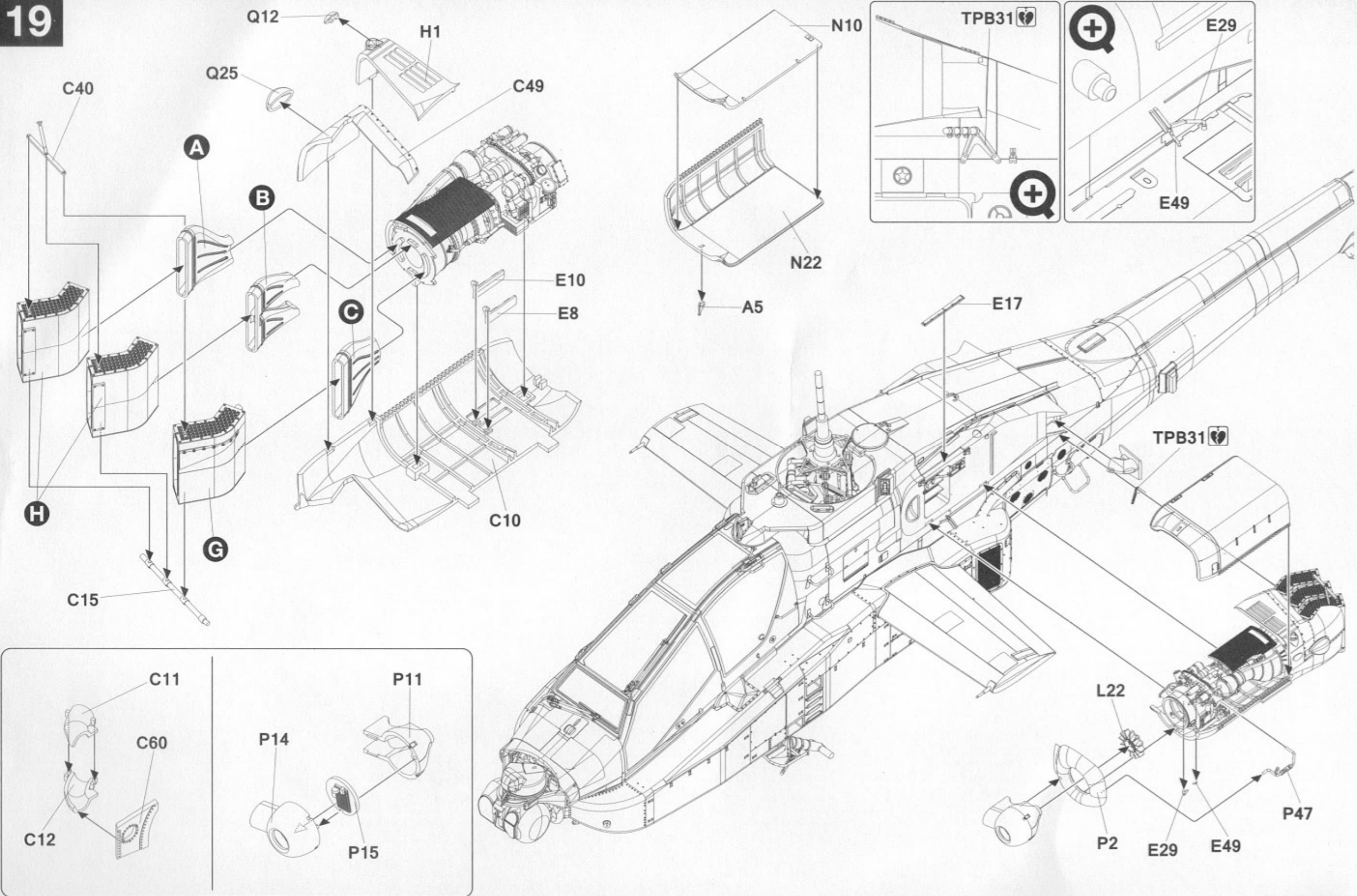


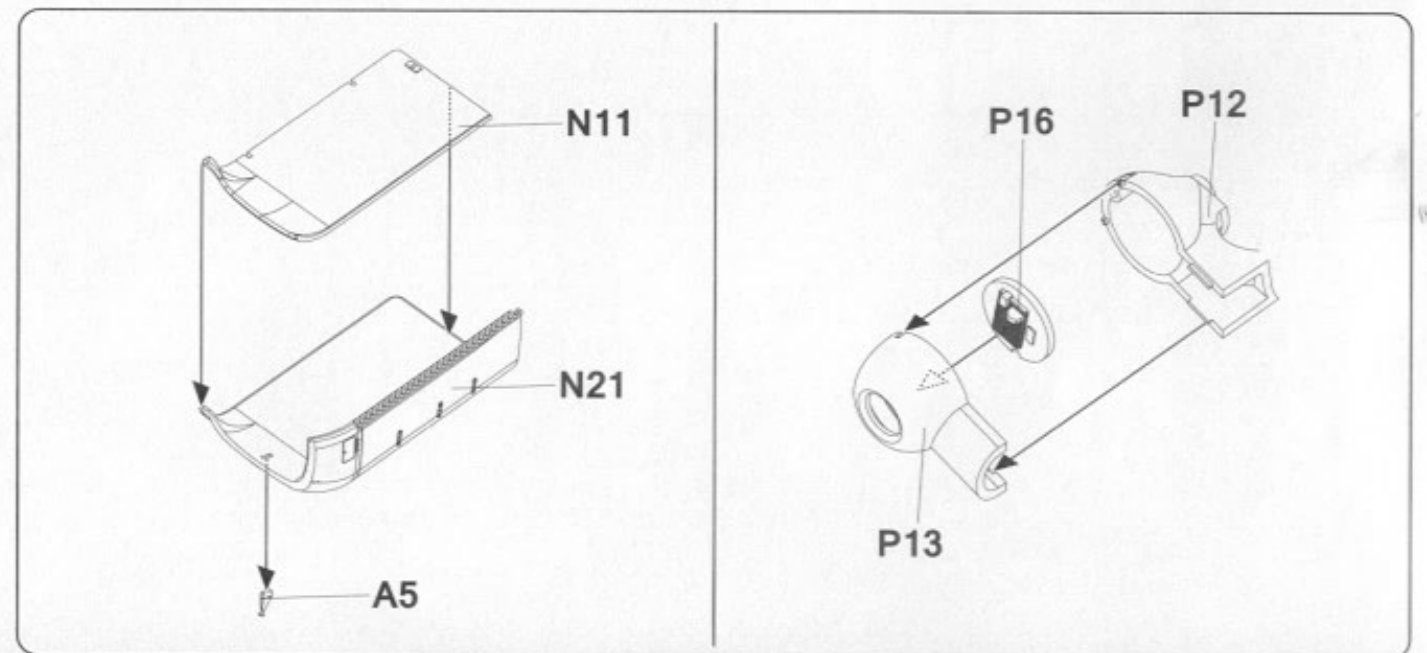
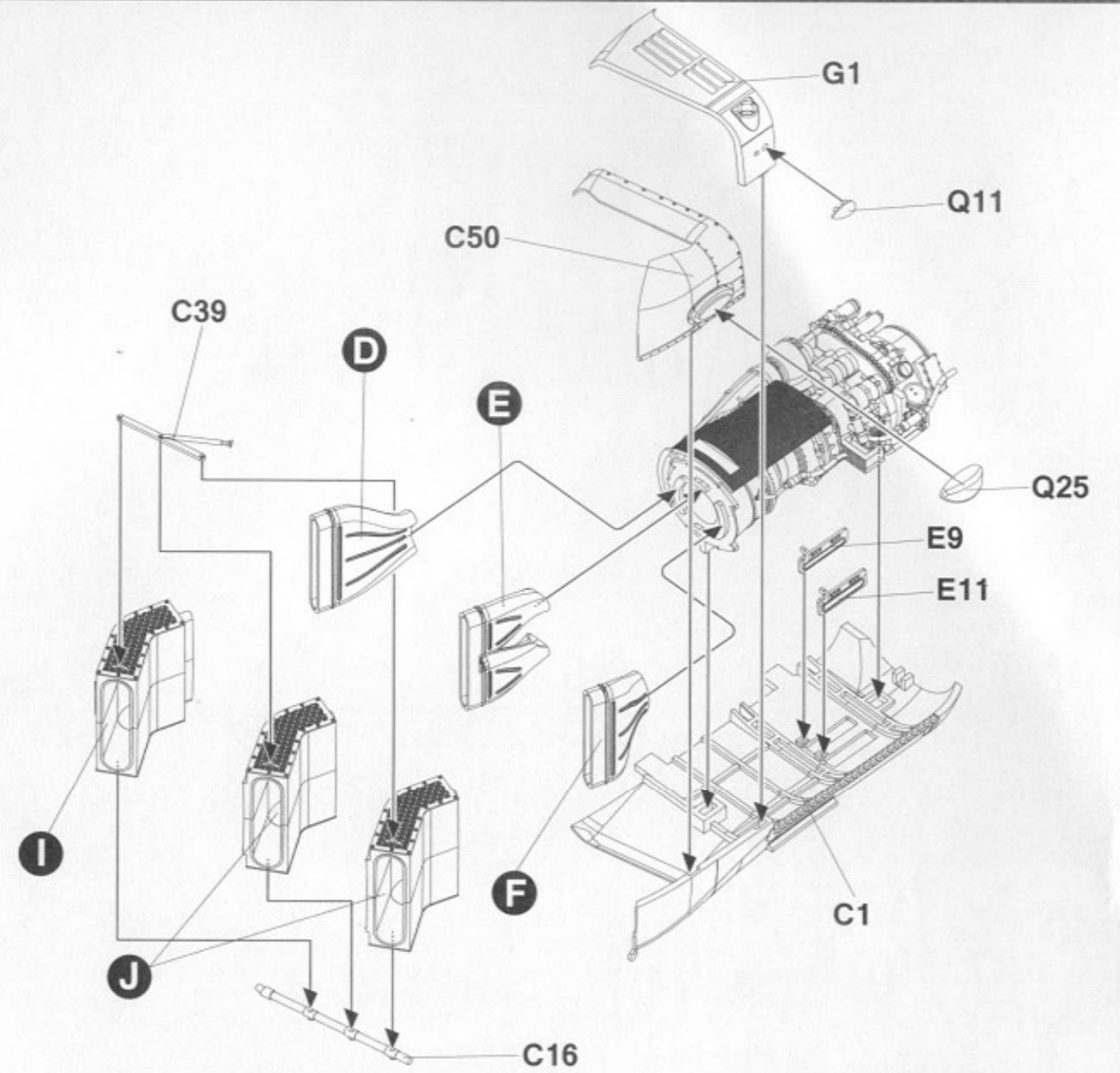
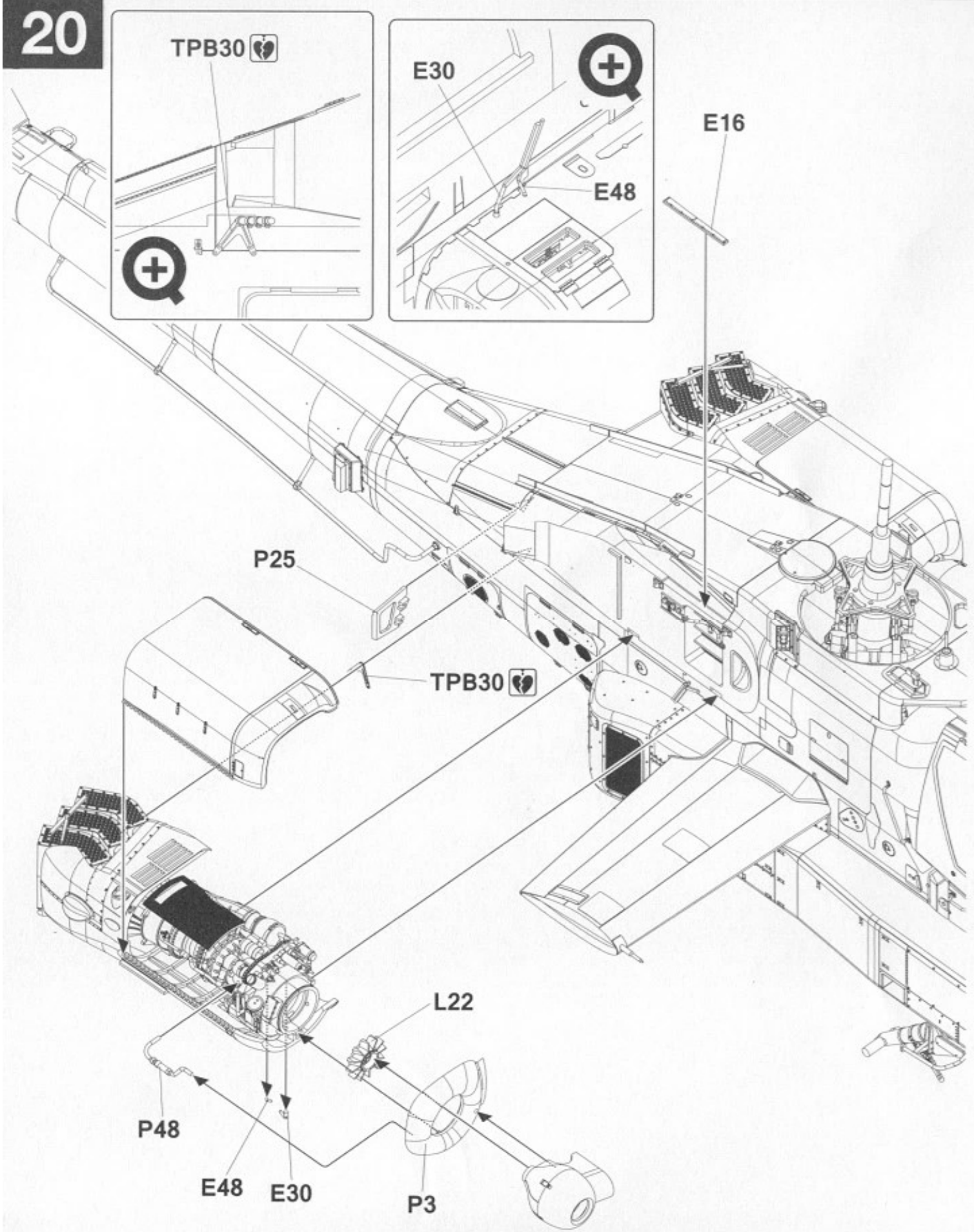
I

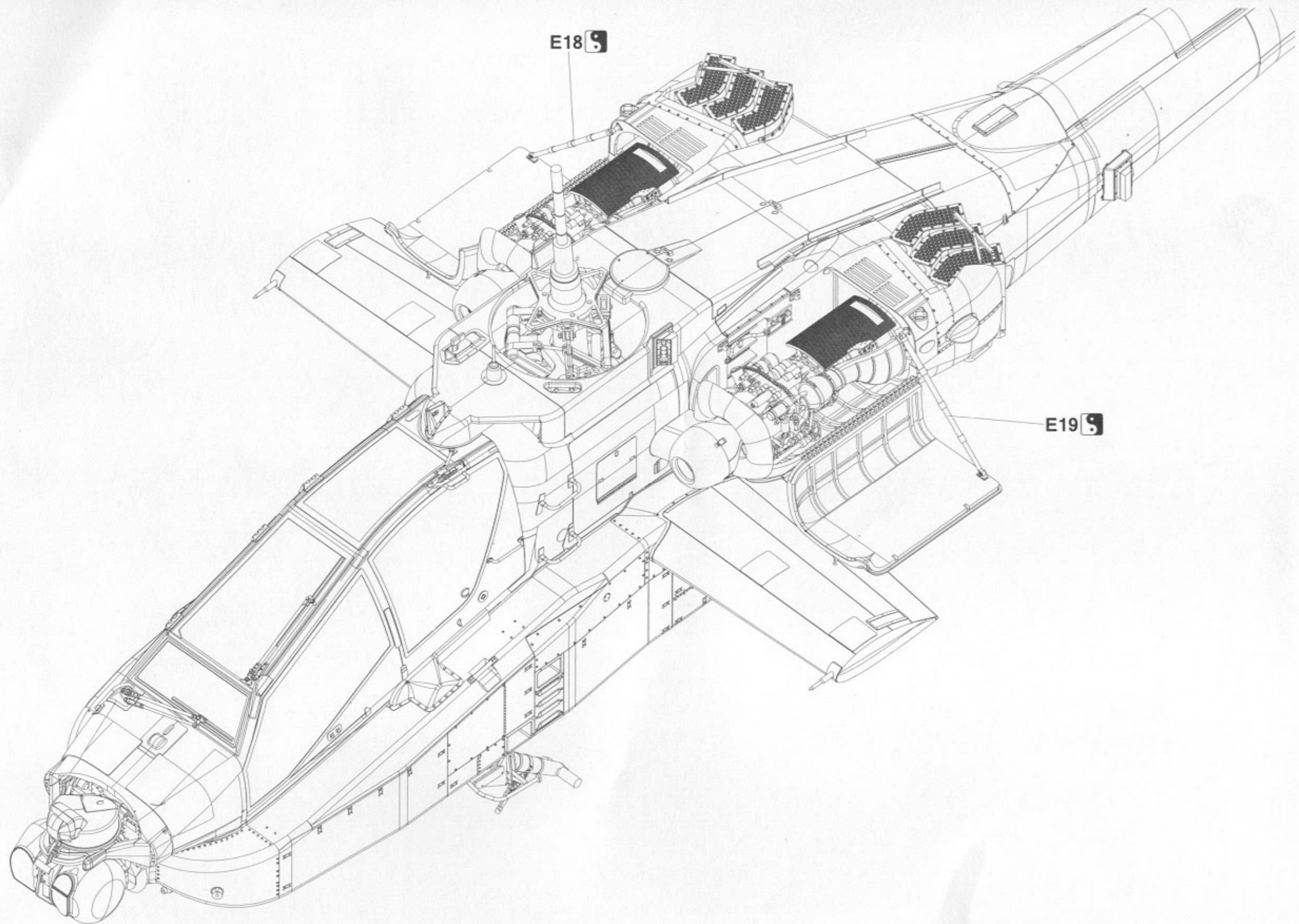


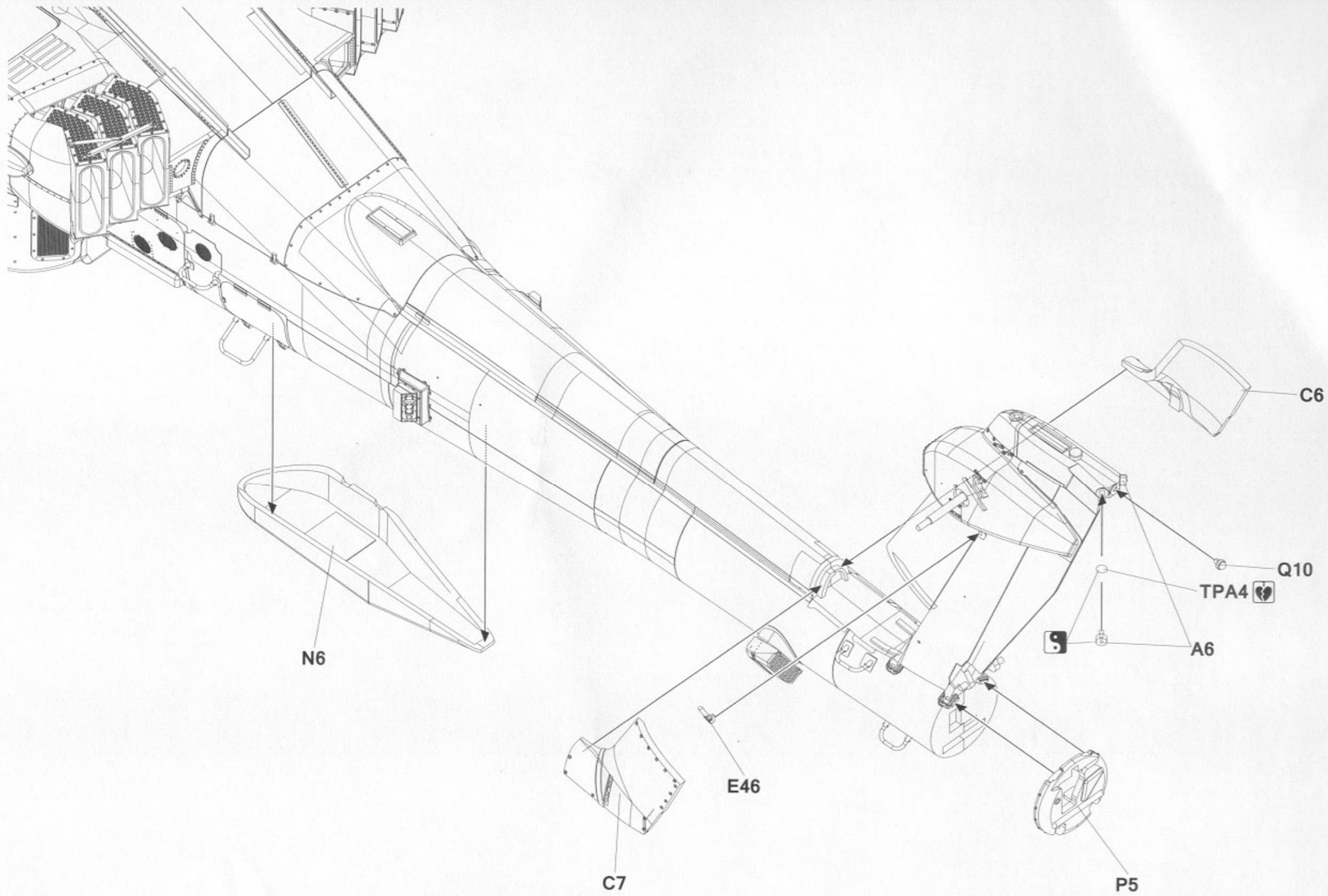
J

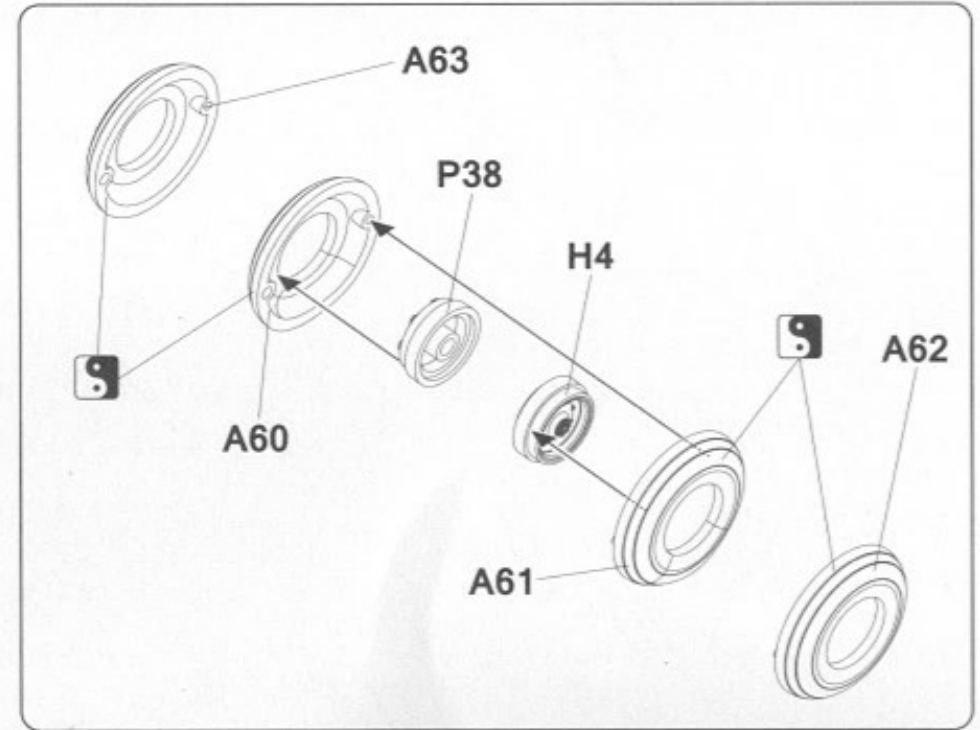
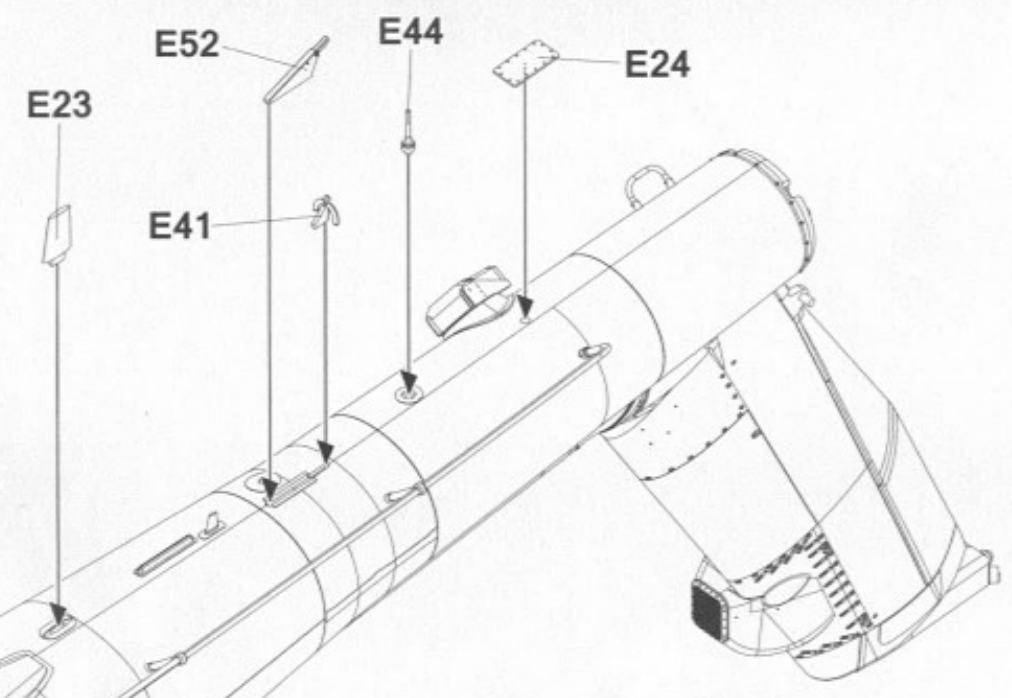
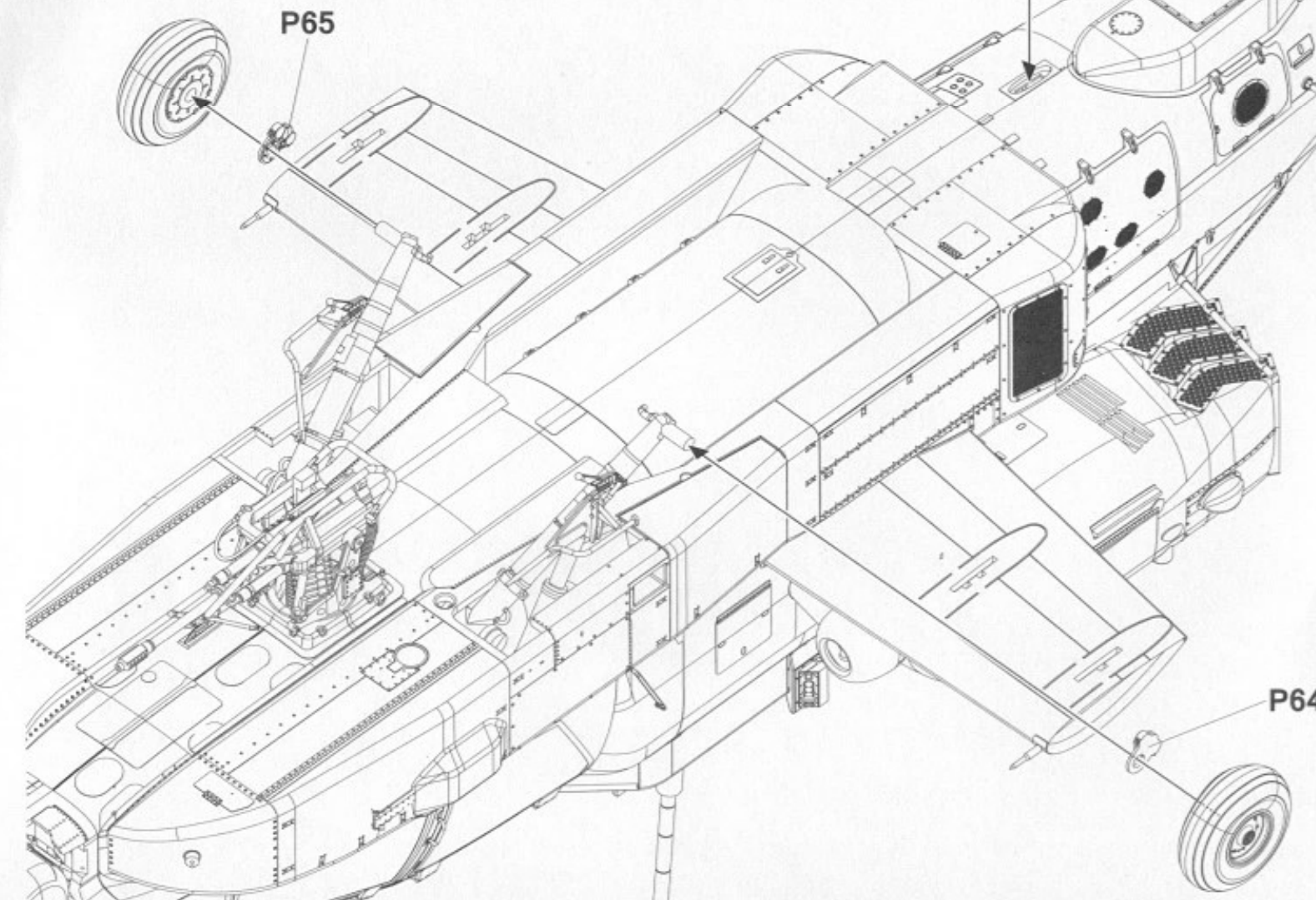
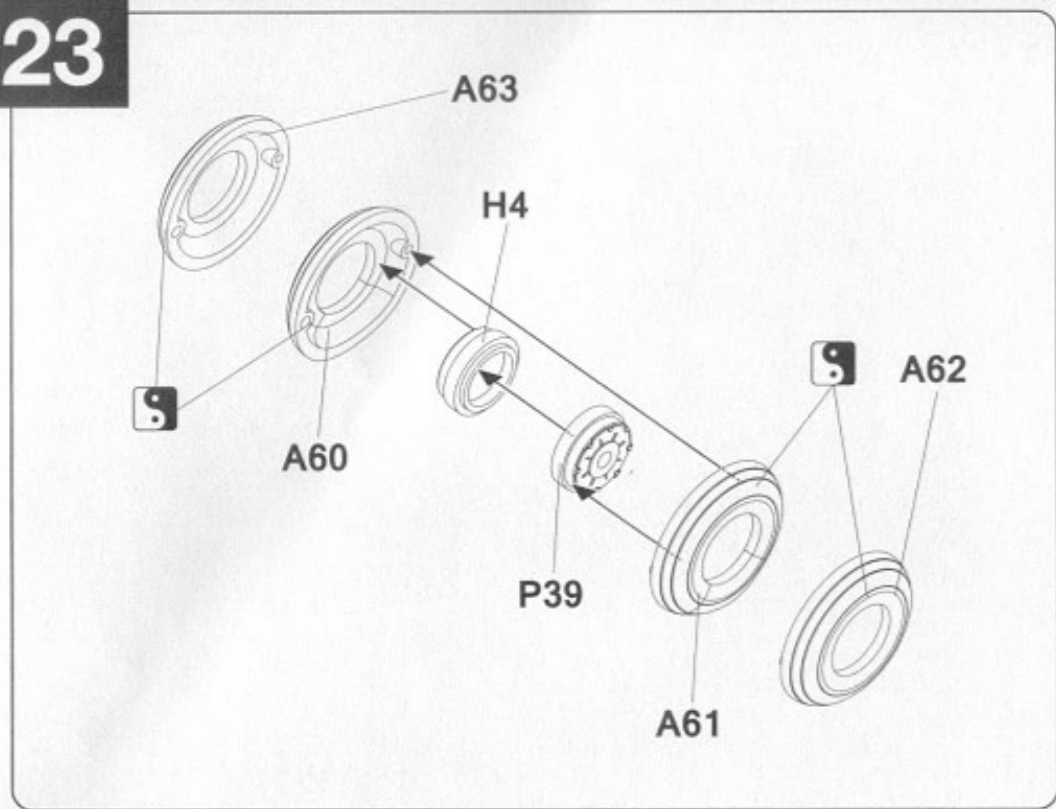


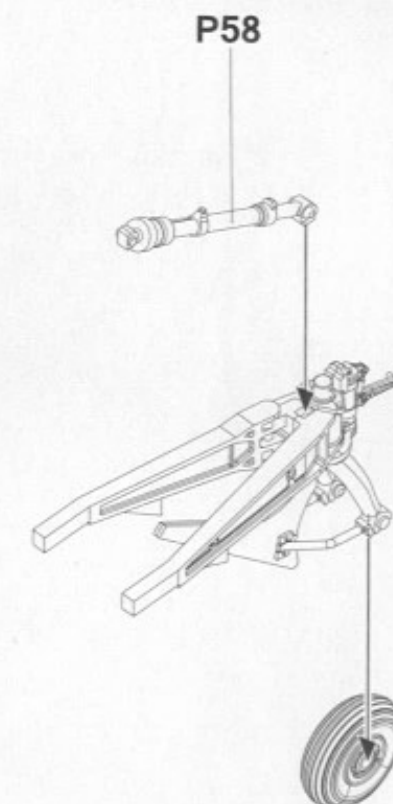
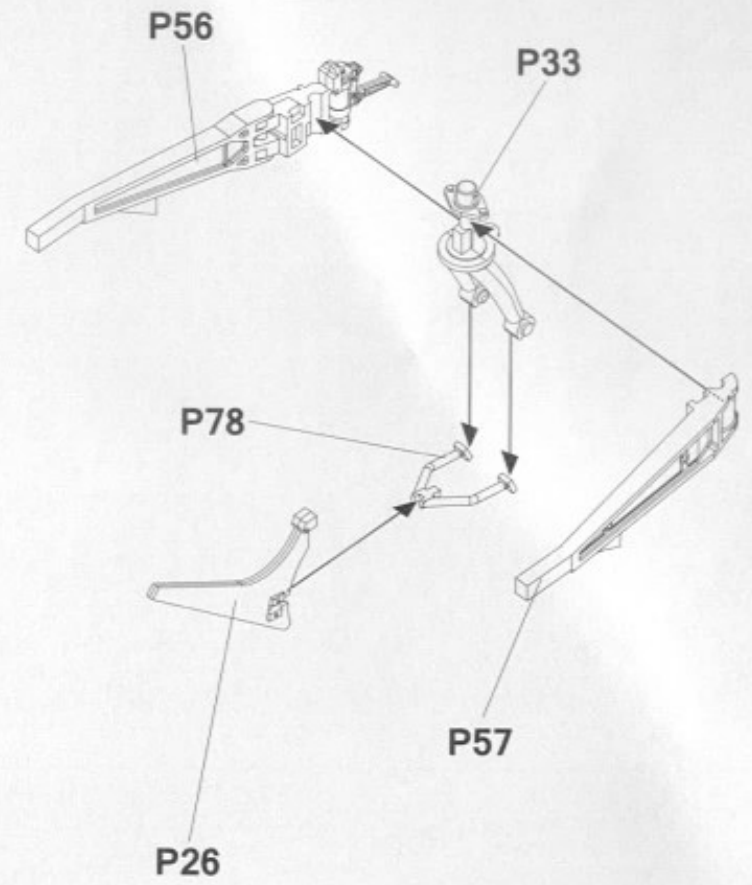
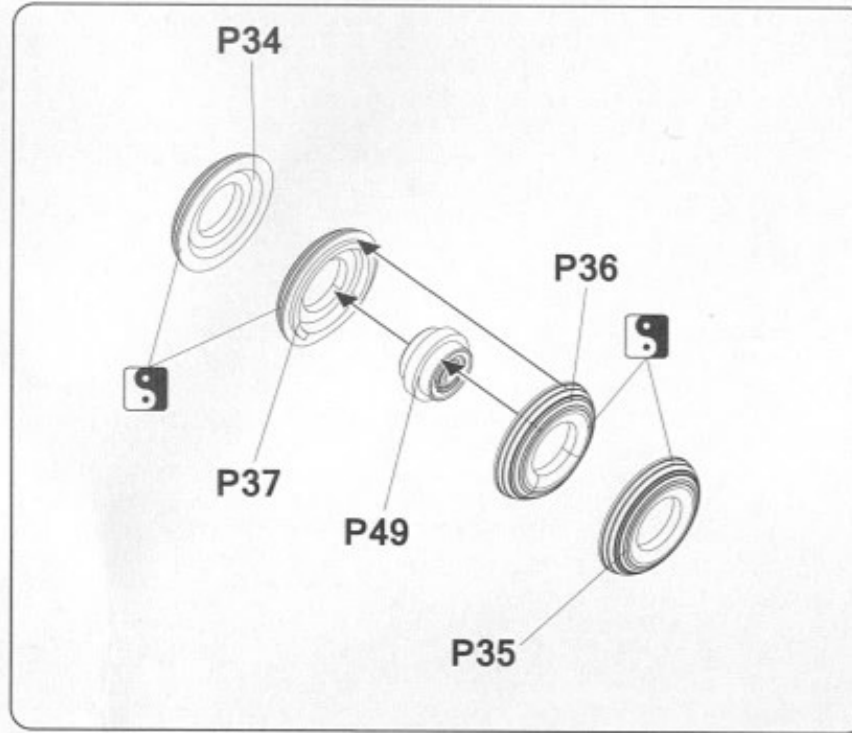
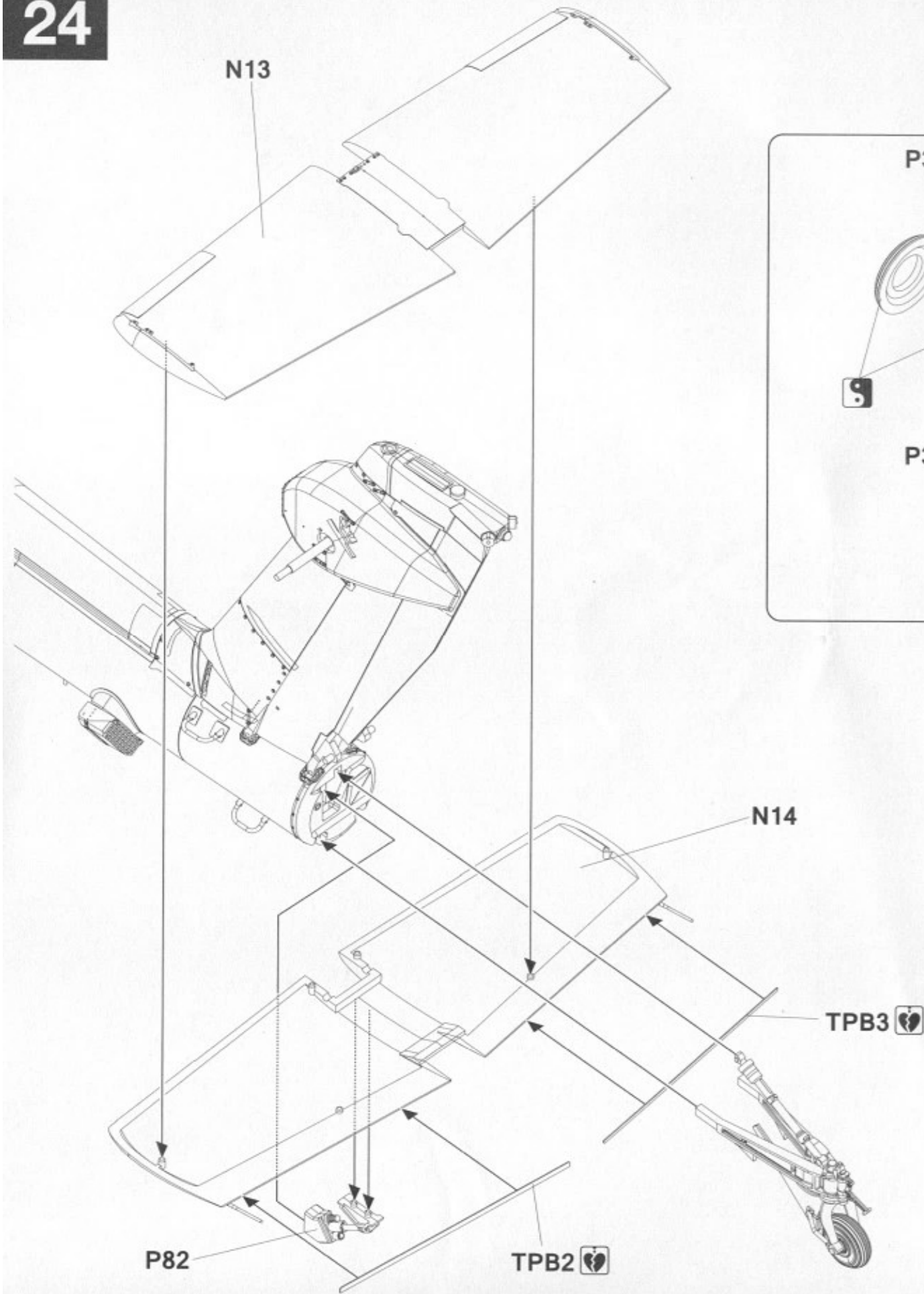


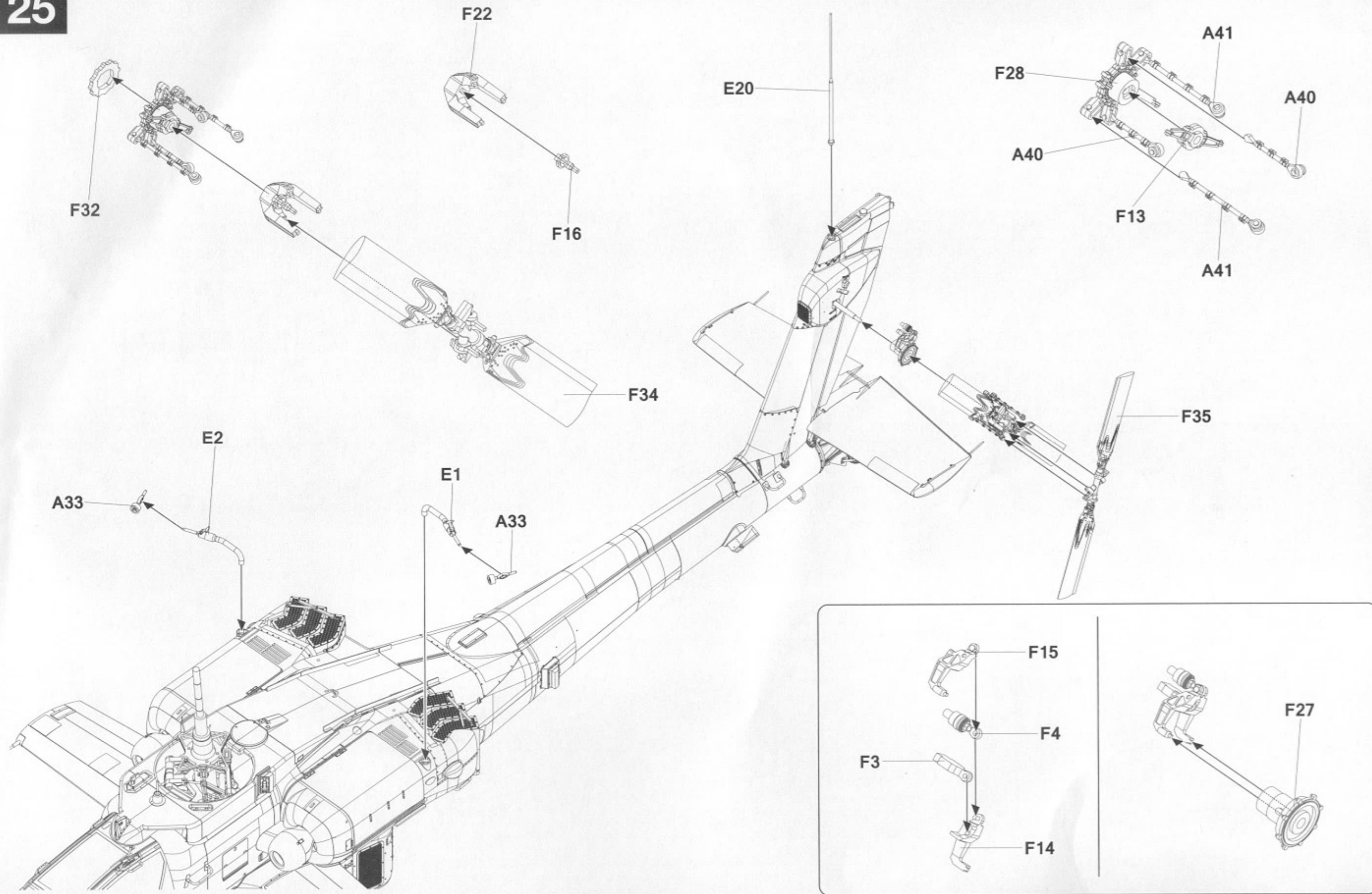


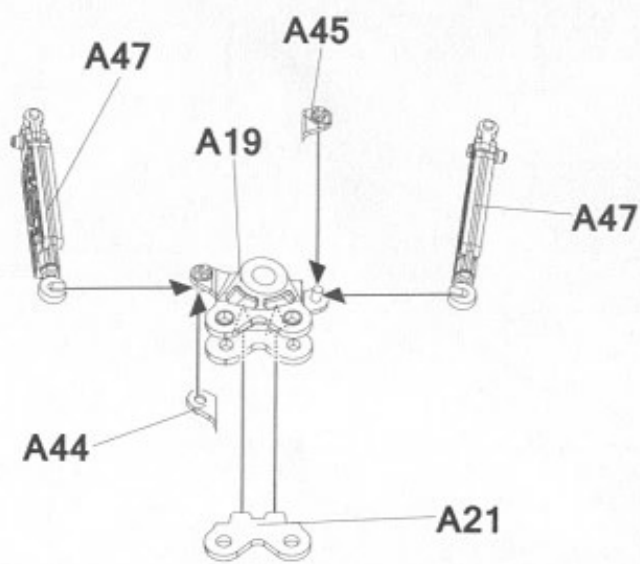




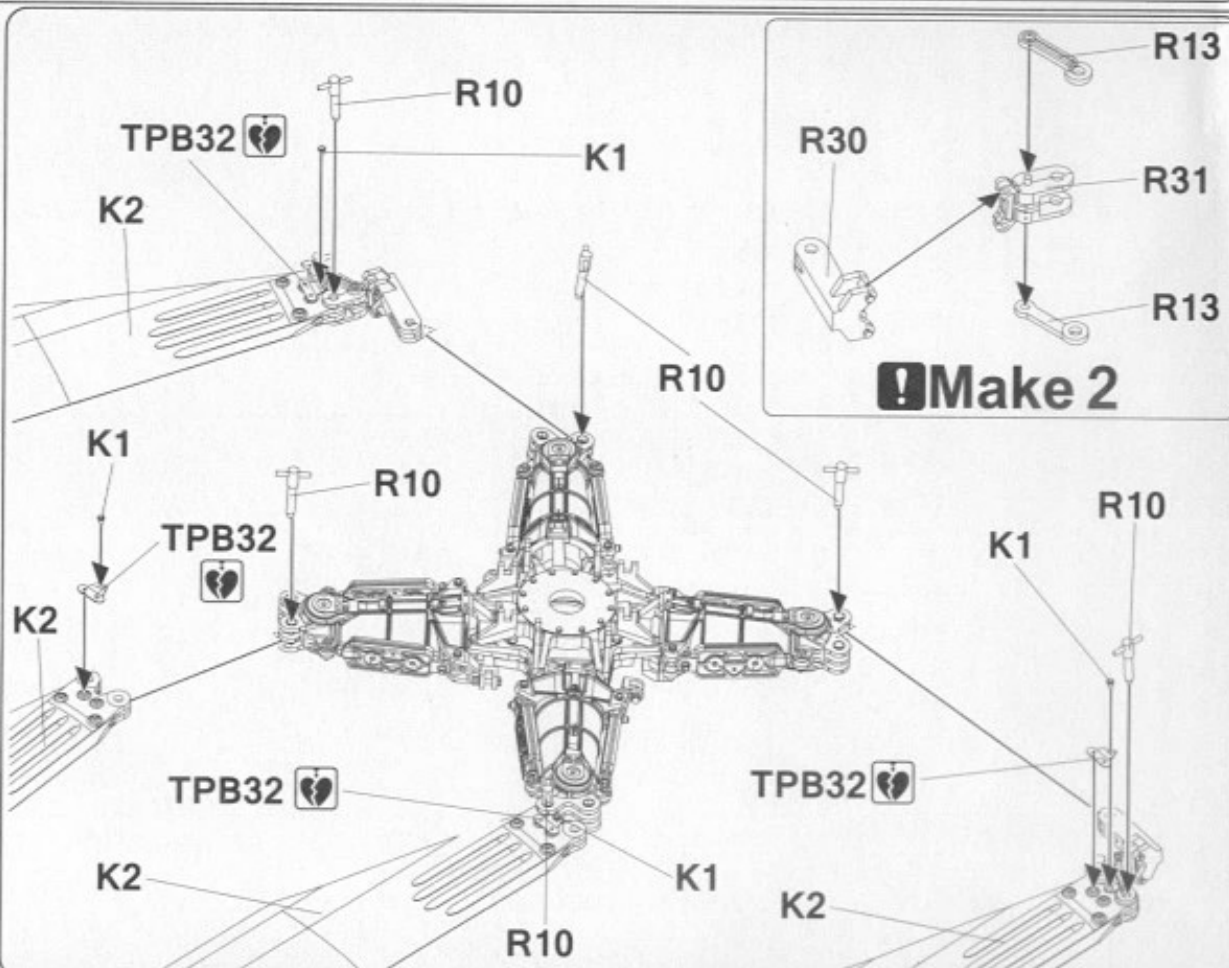
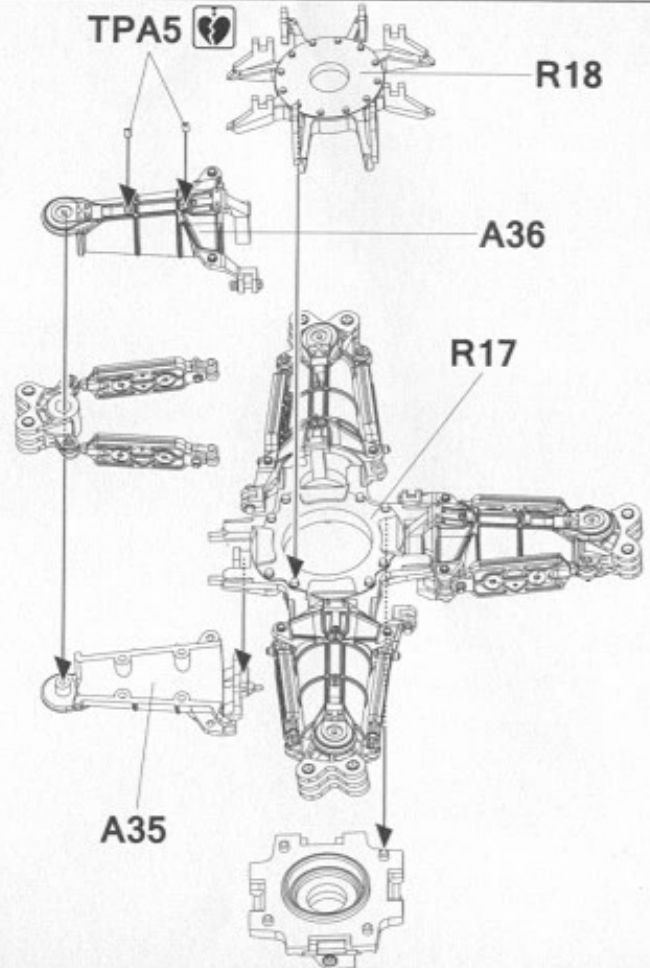
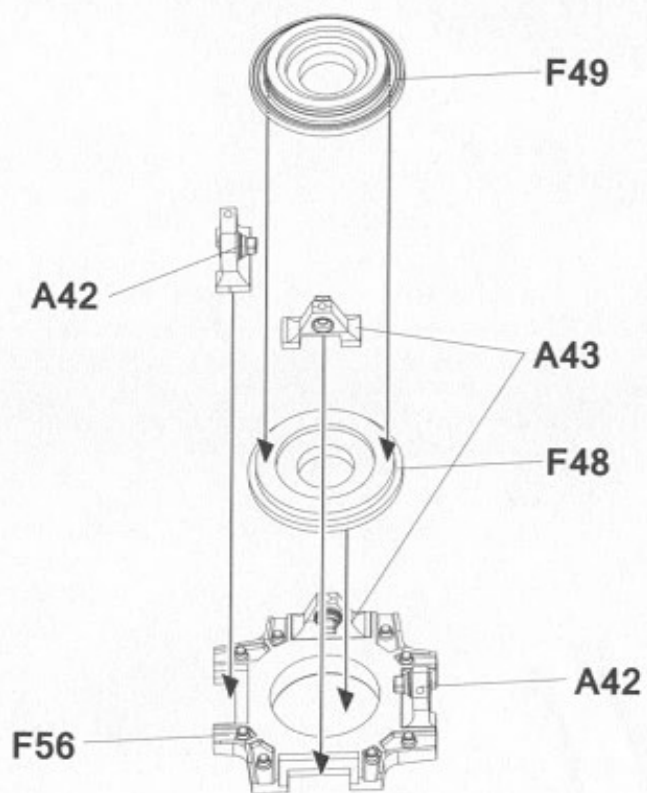
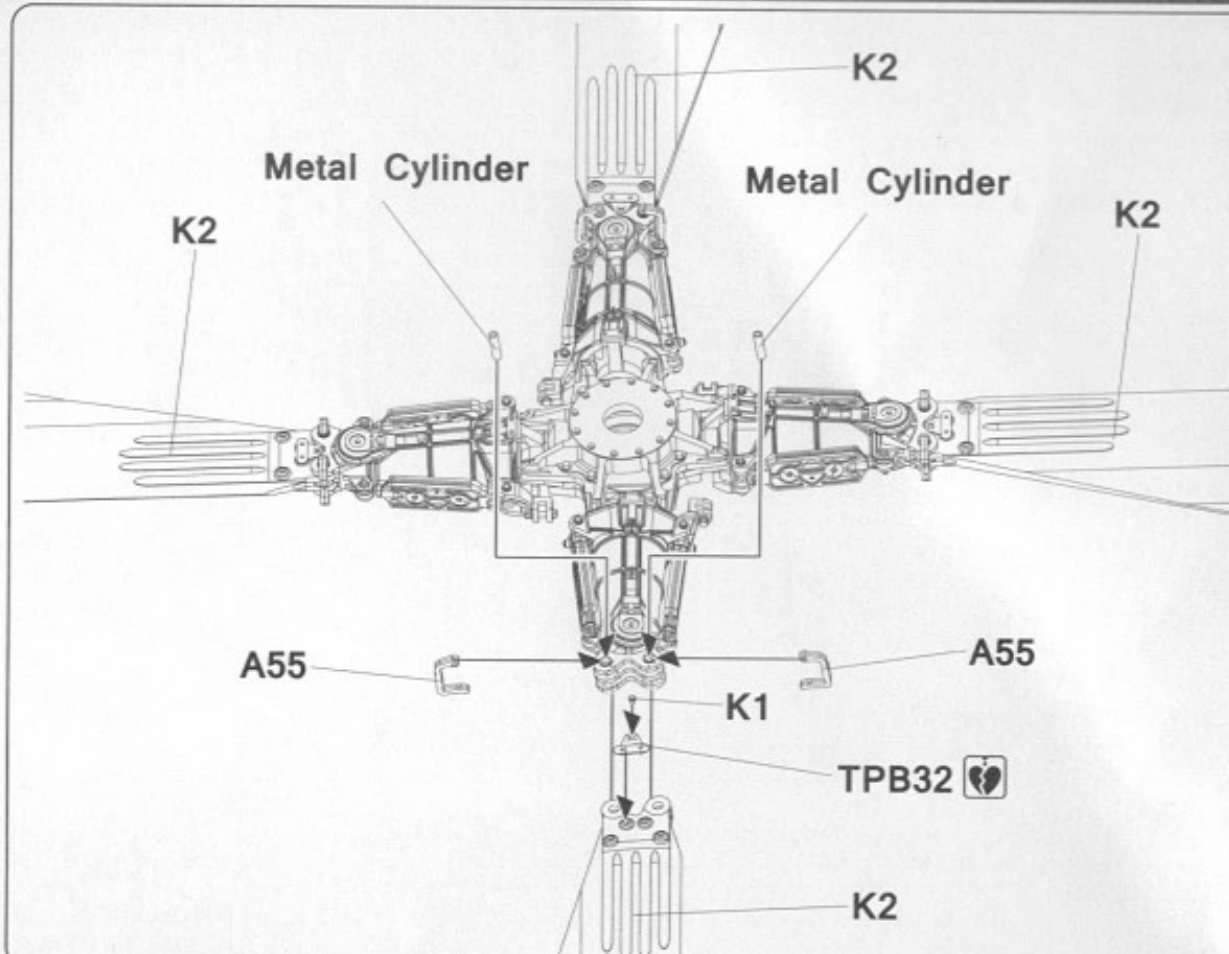
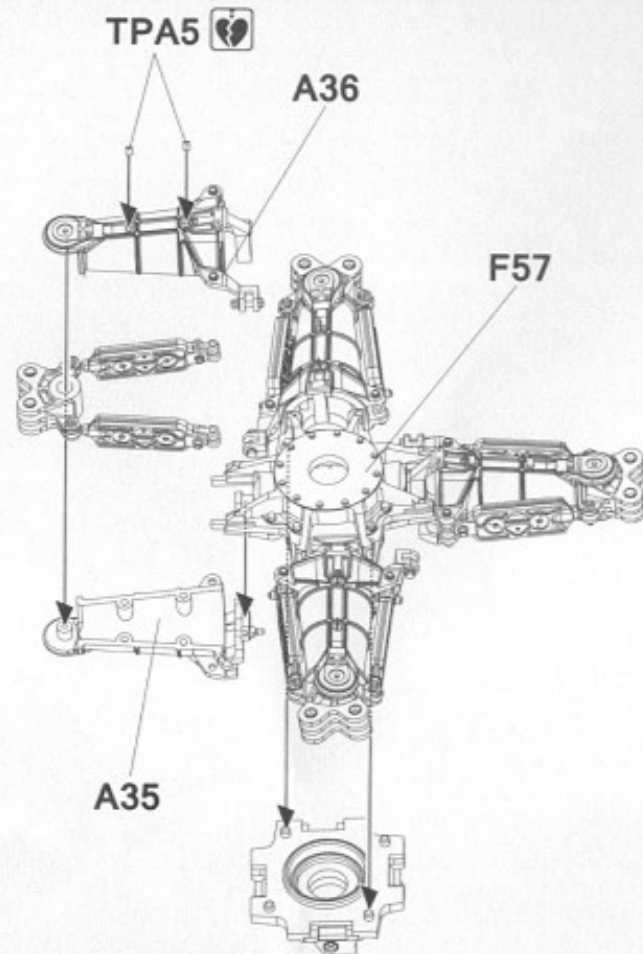




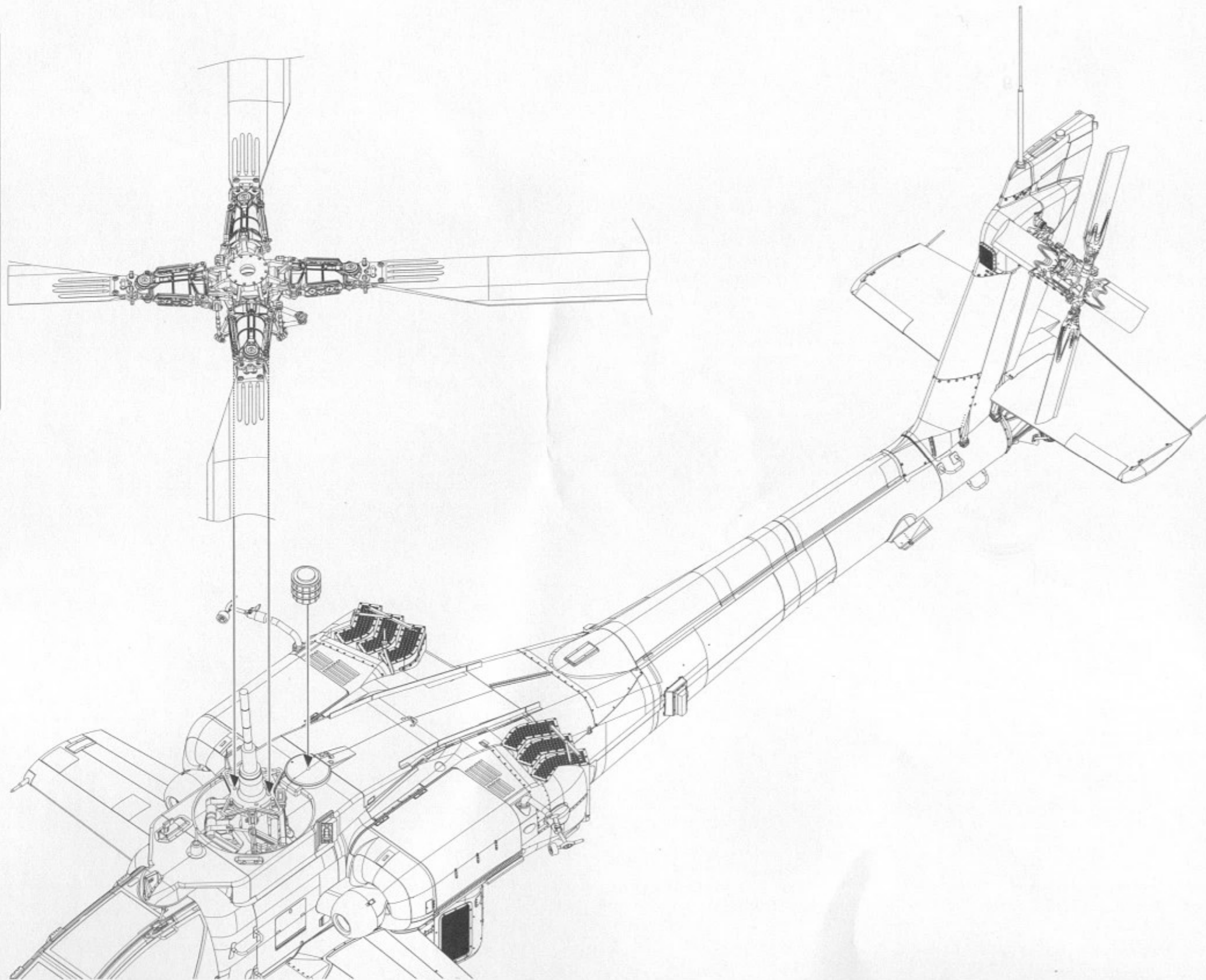
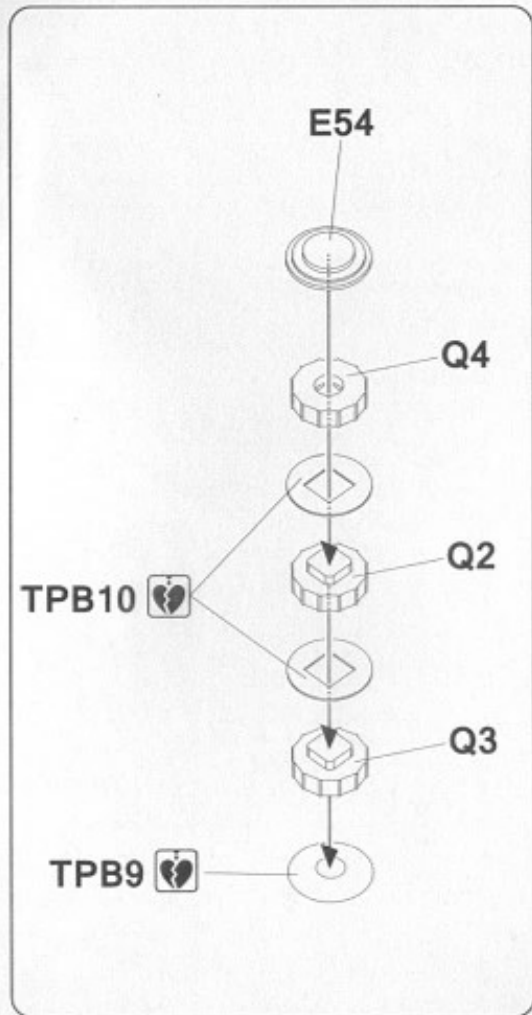
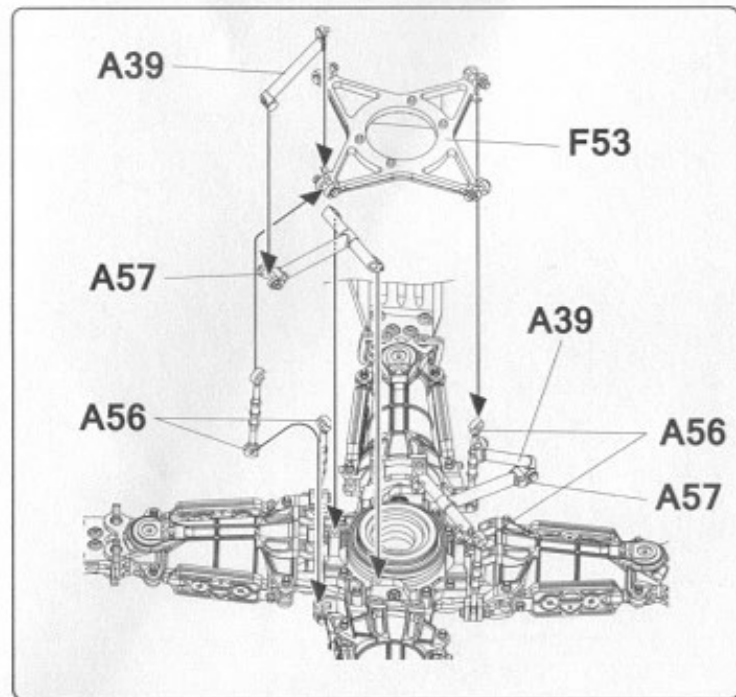


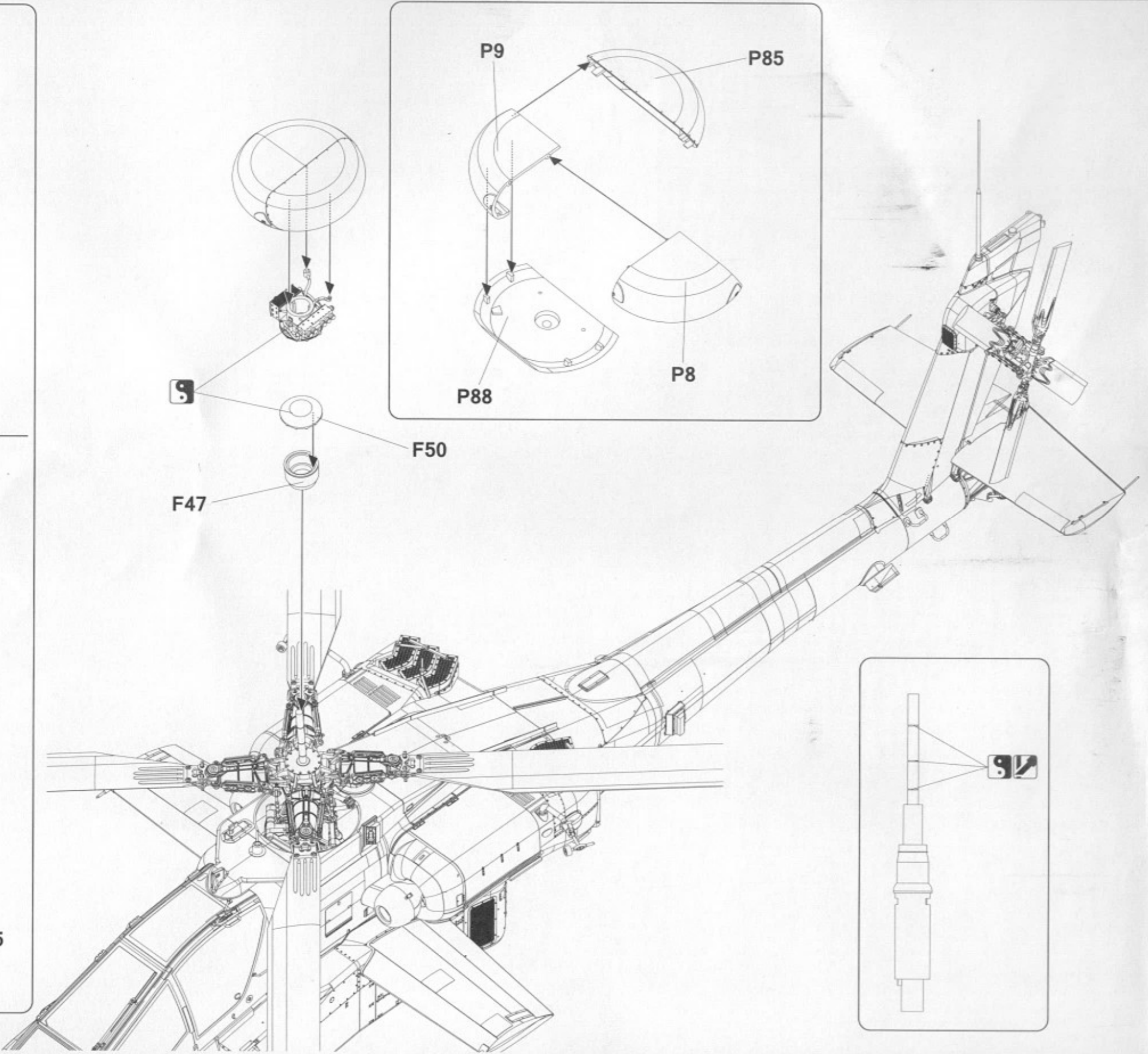
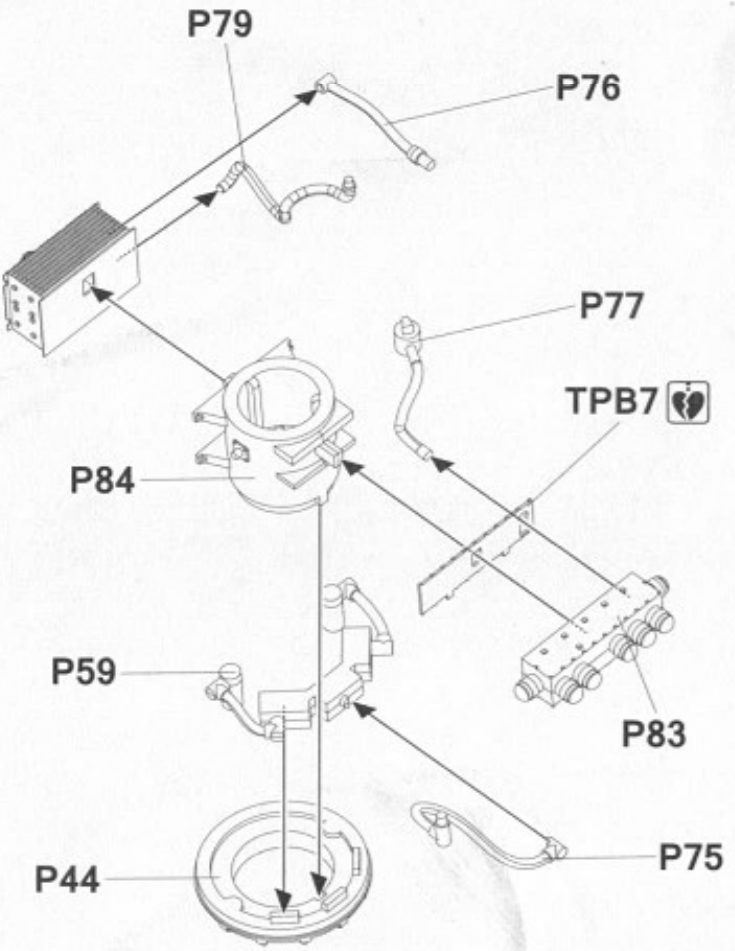
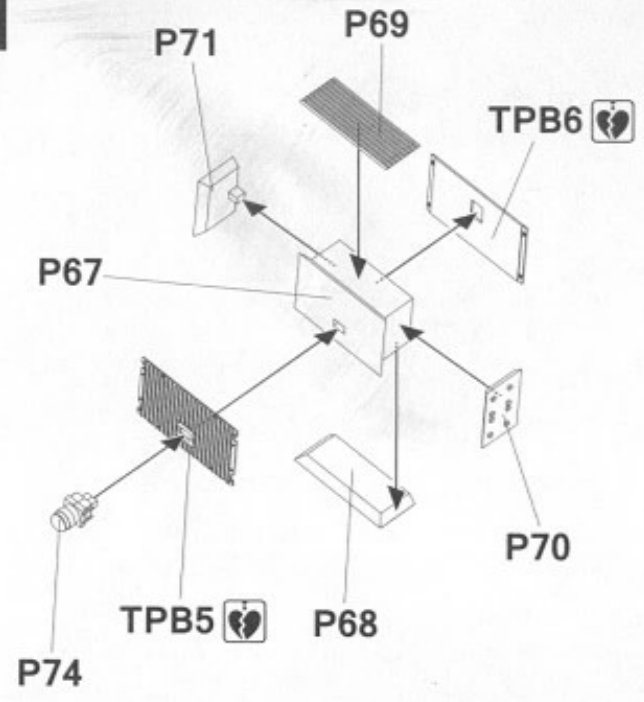


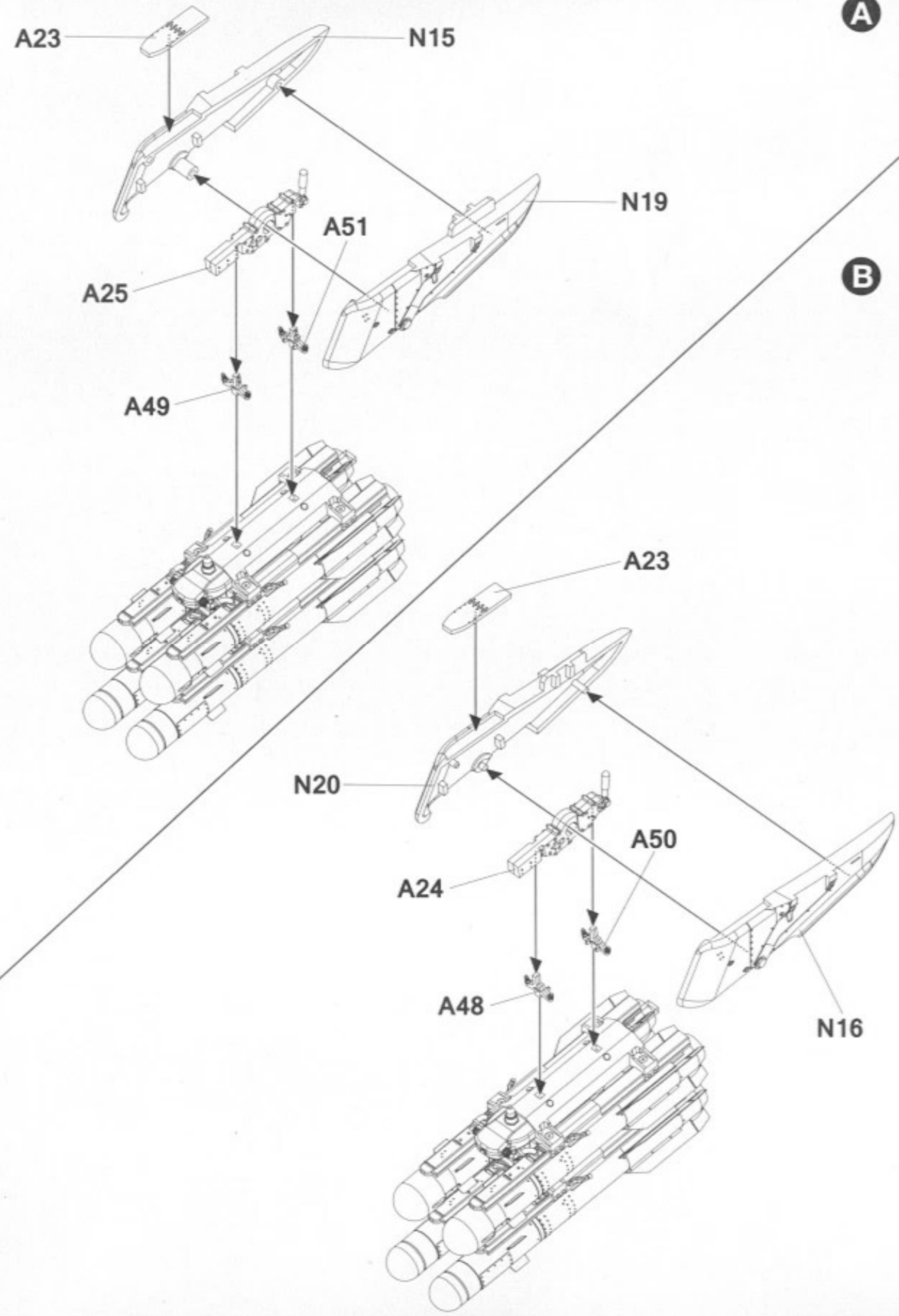
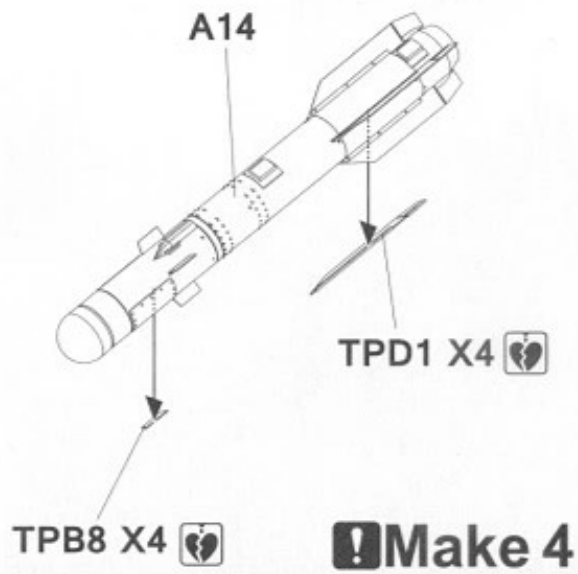
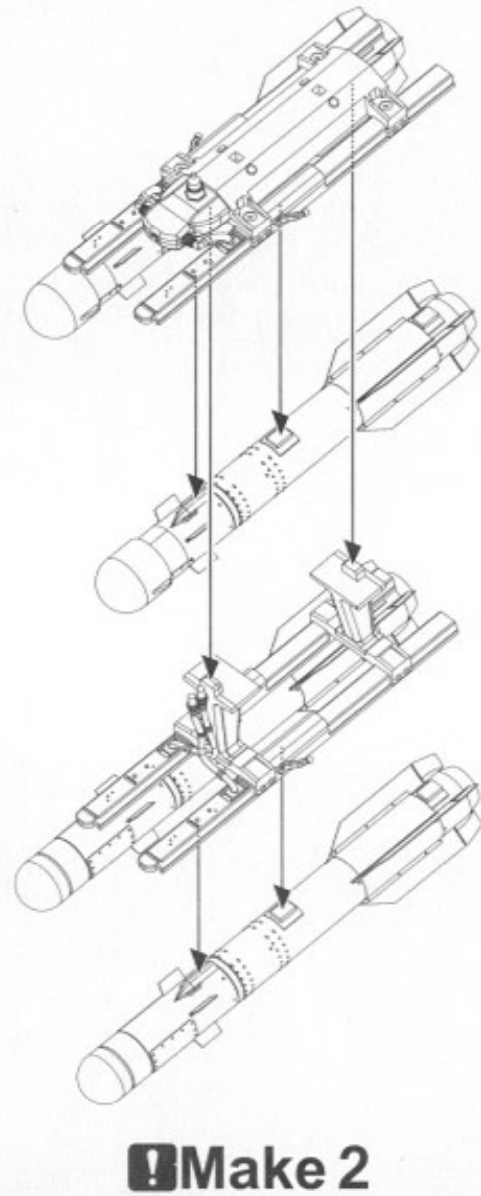
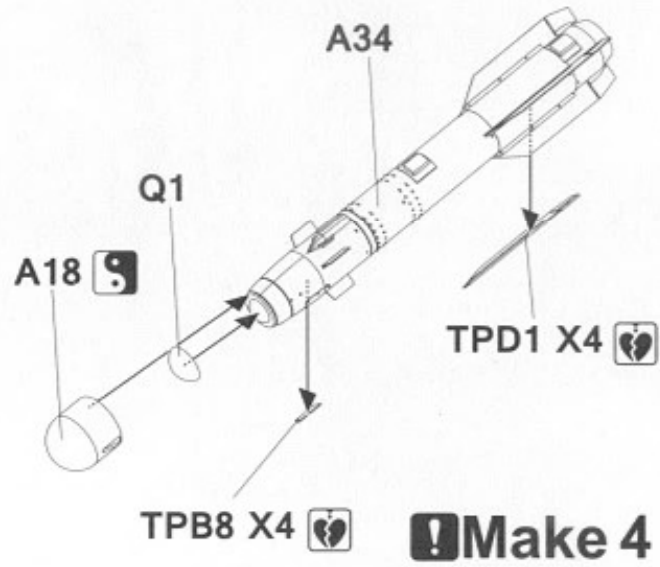
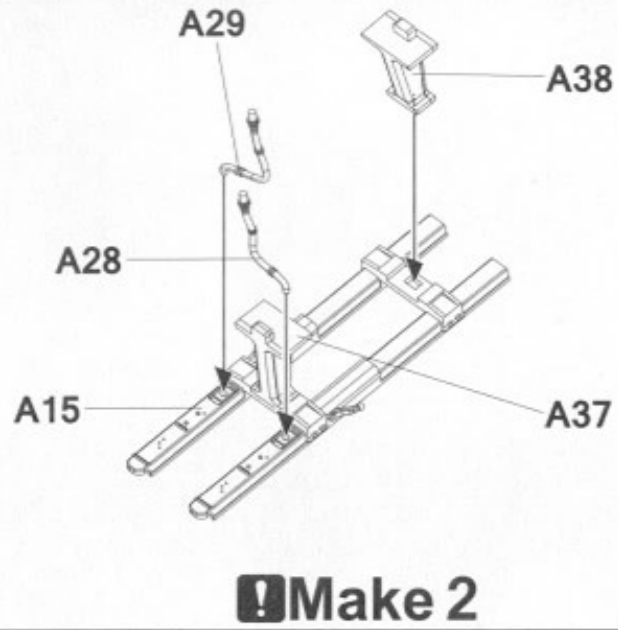
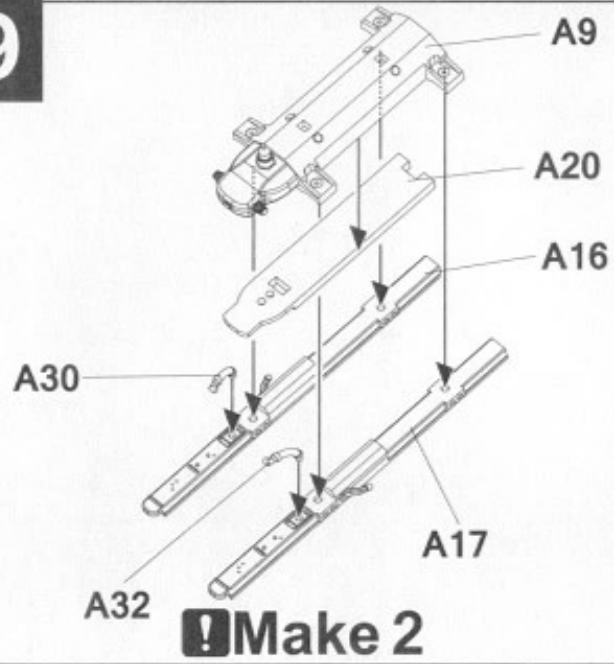
Make 4

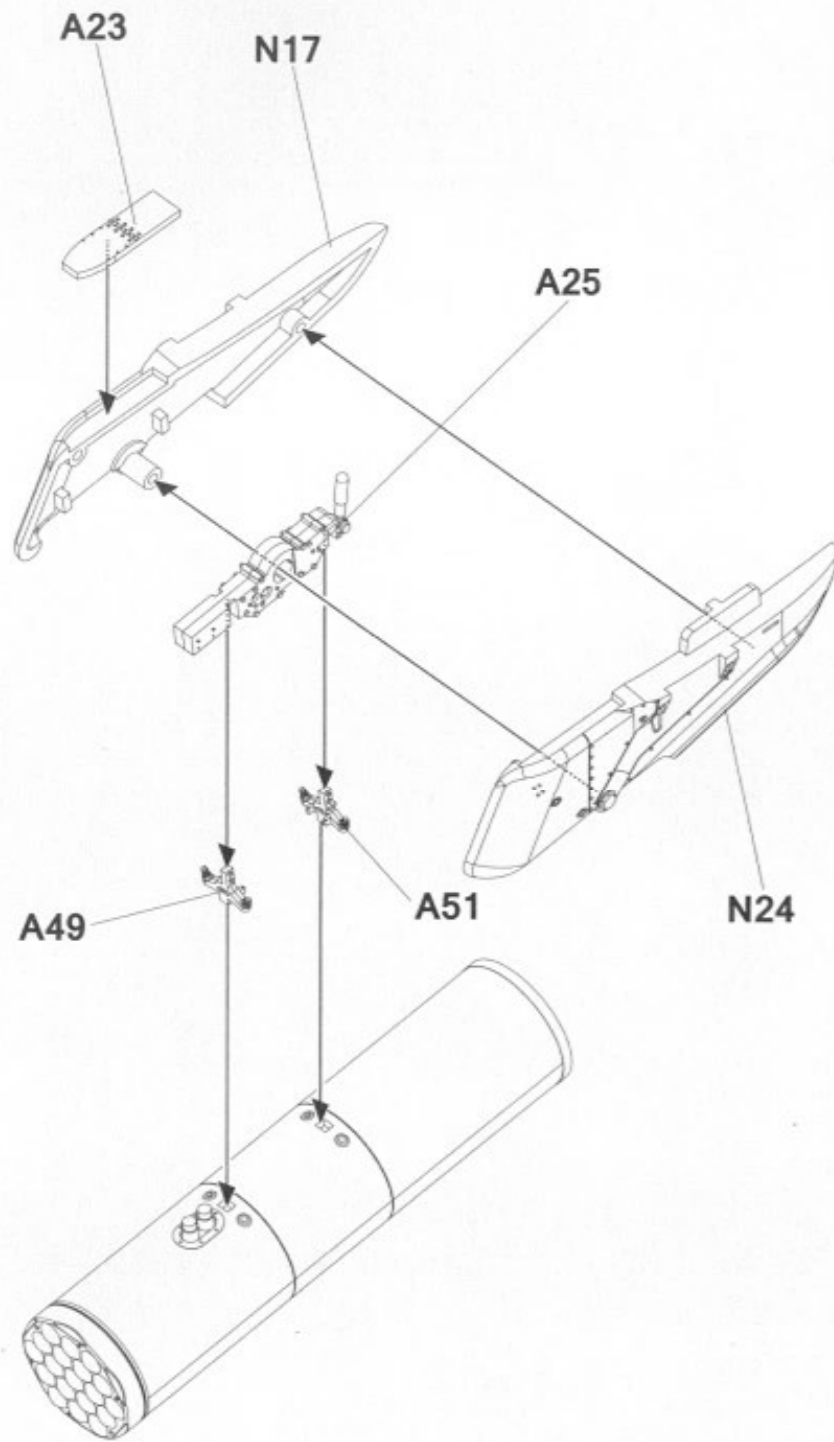
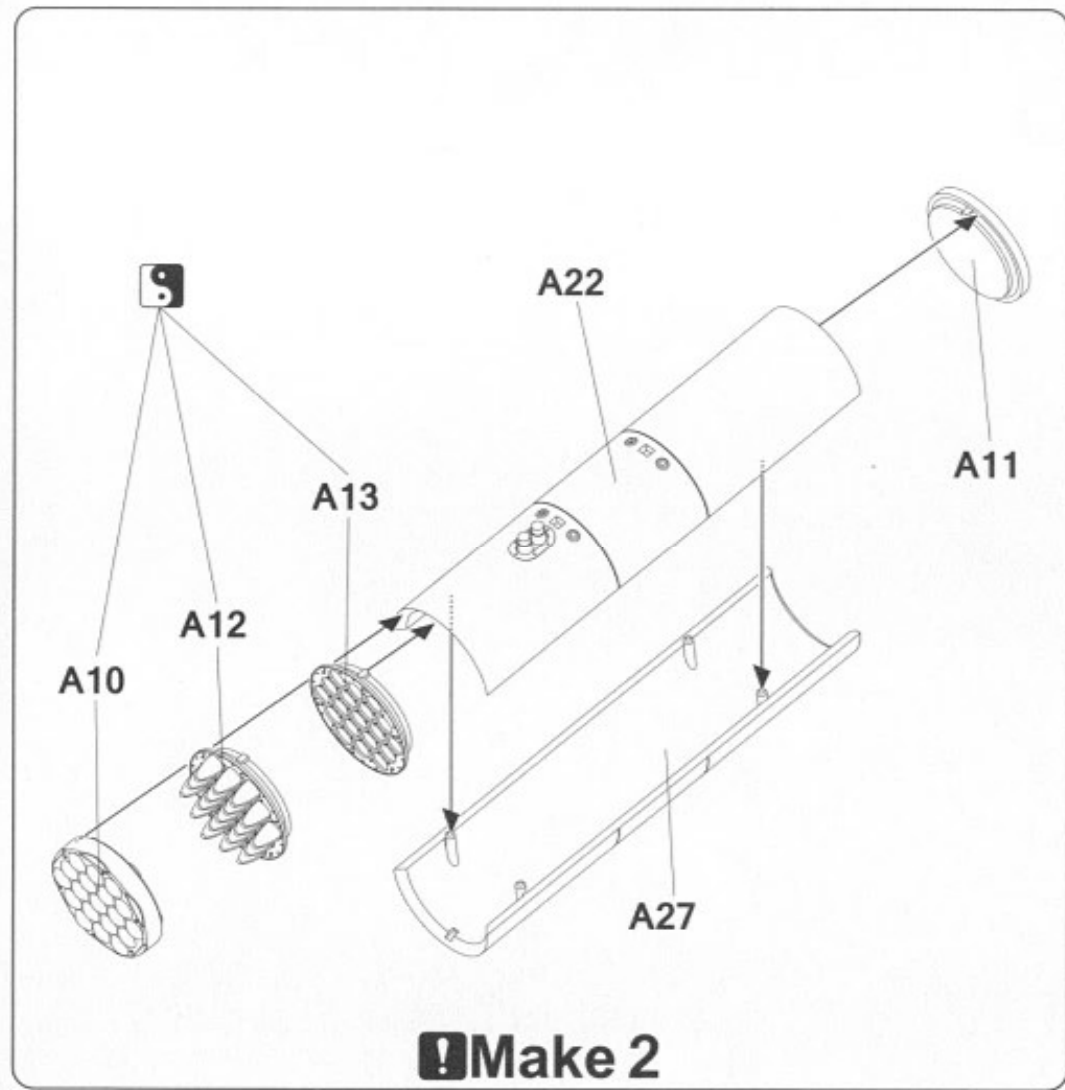


Make 2



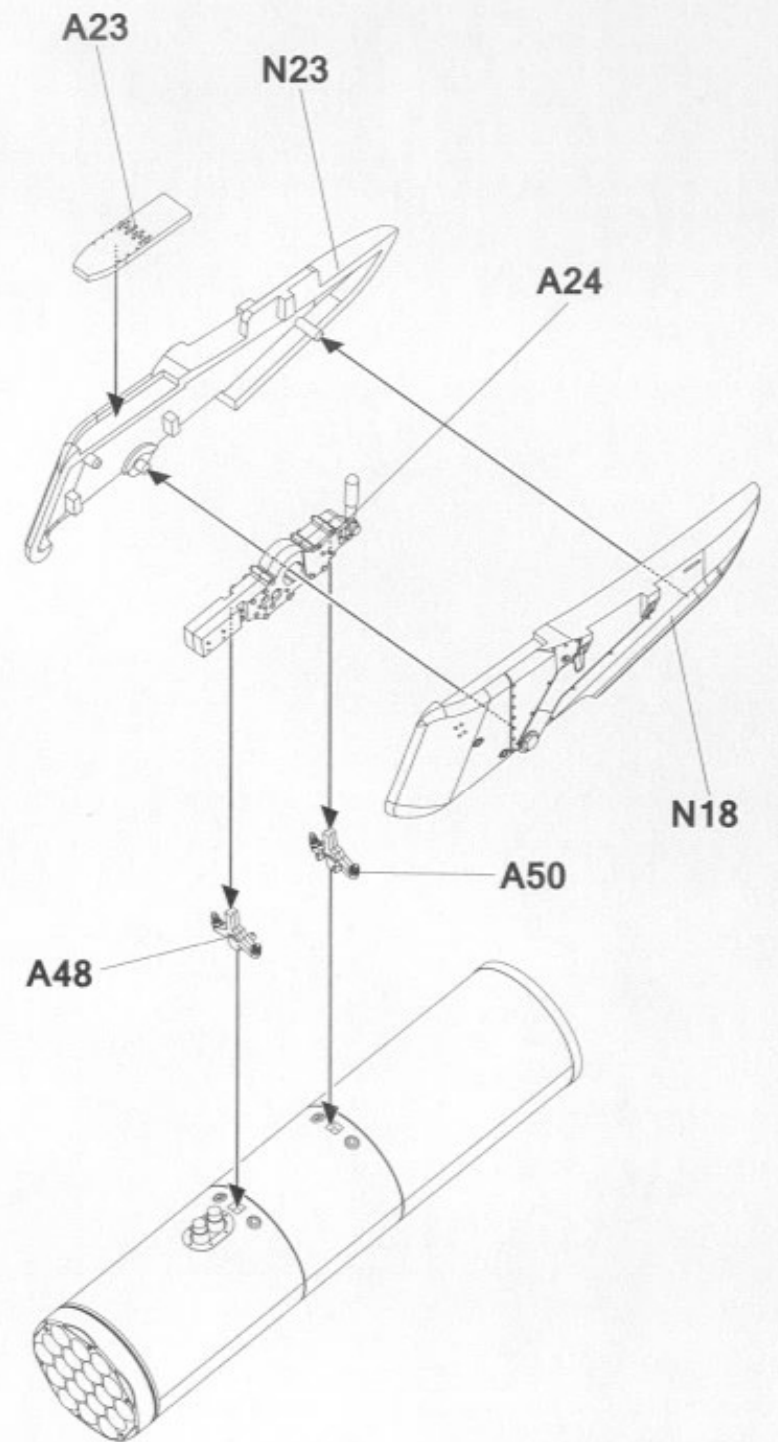


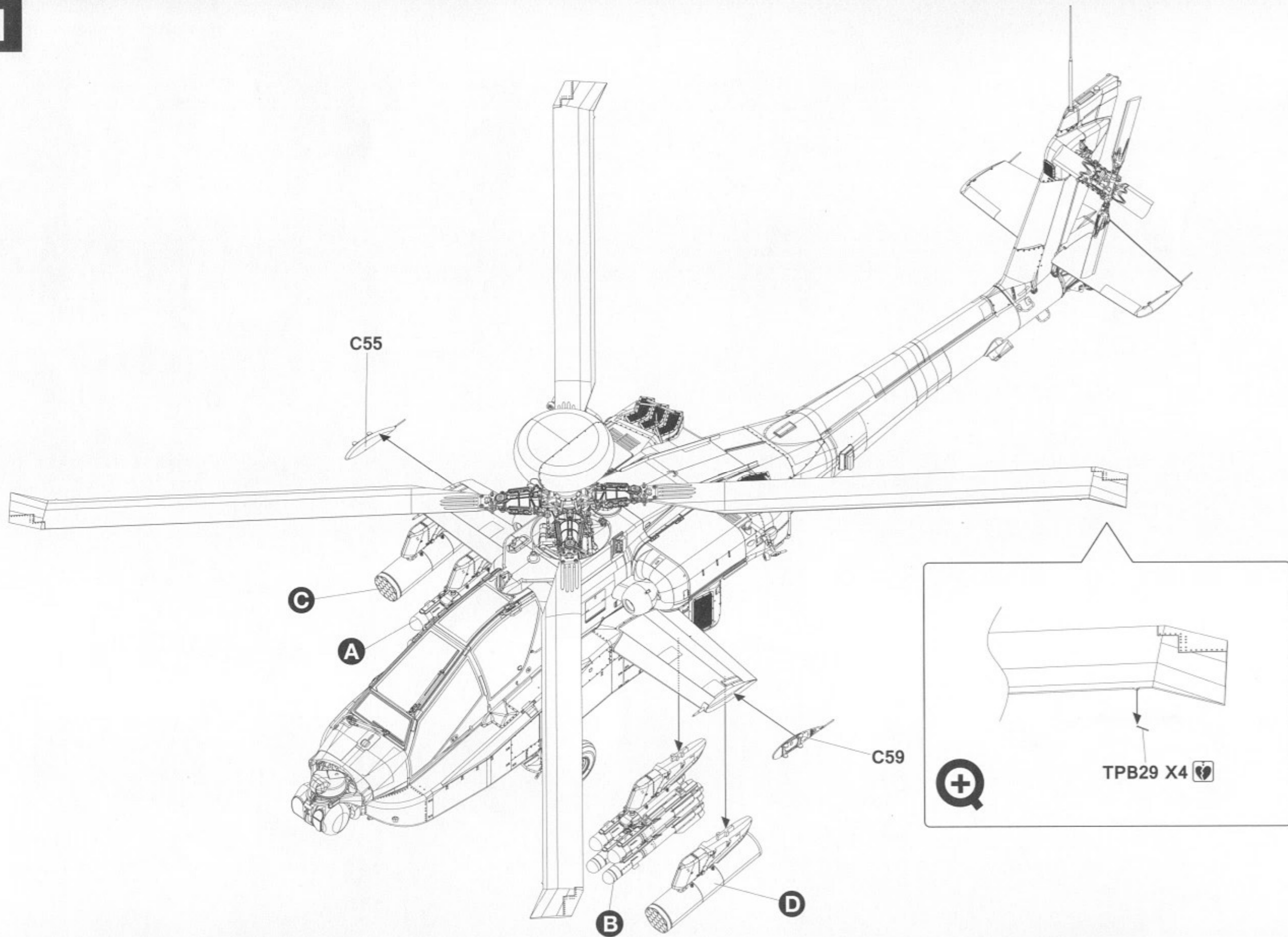


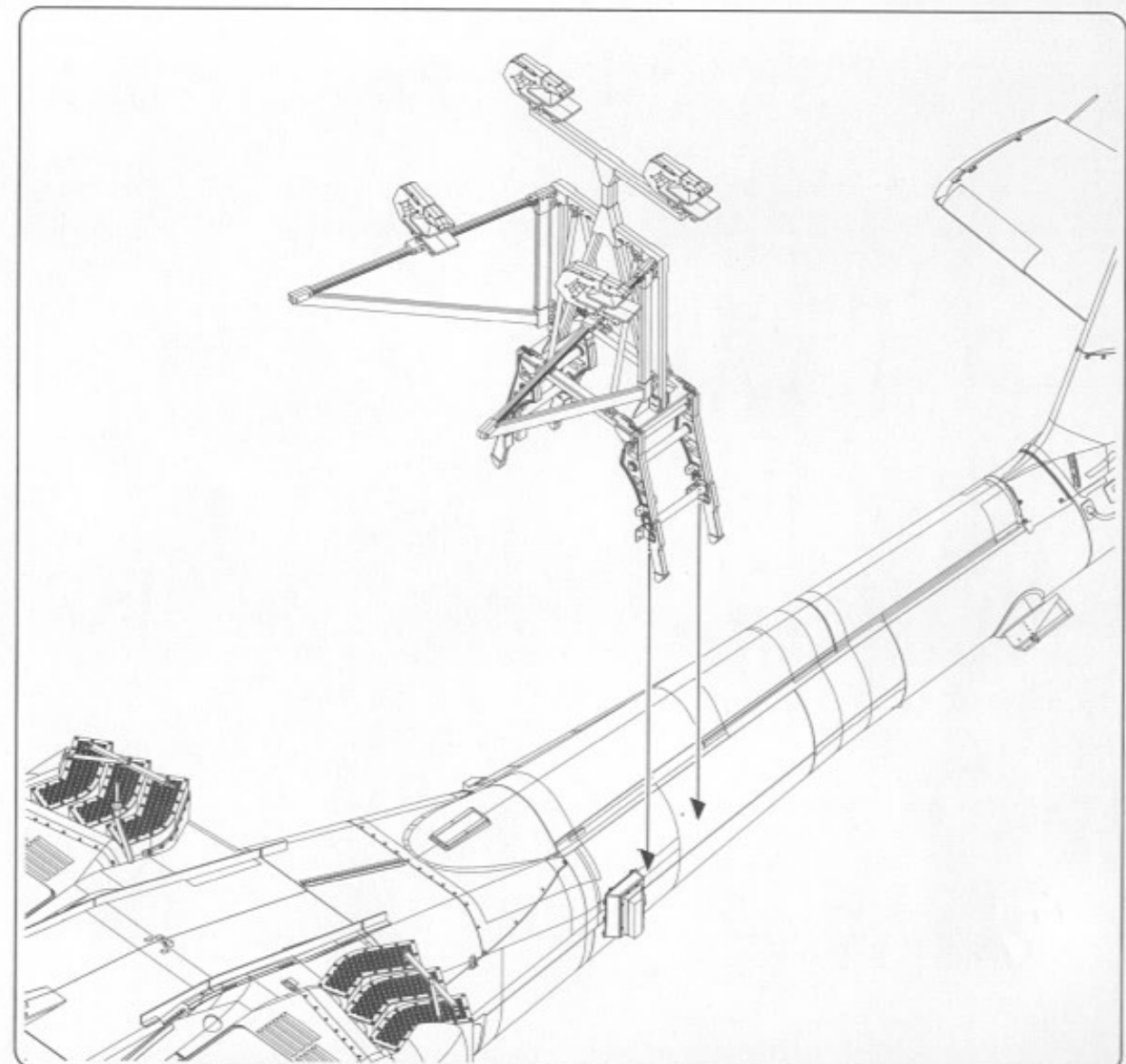
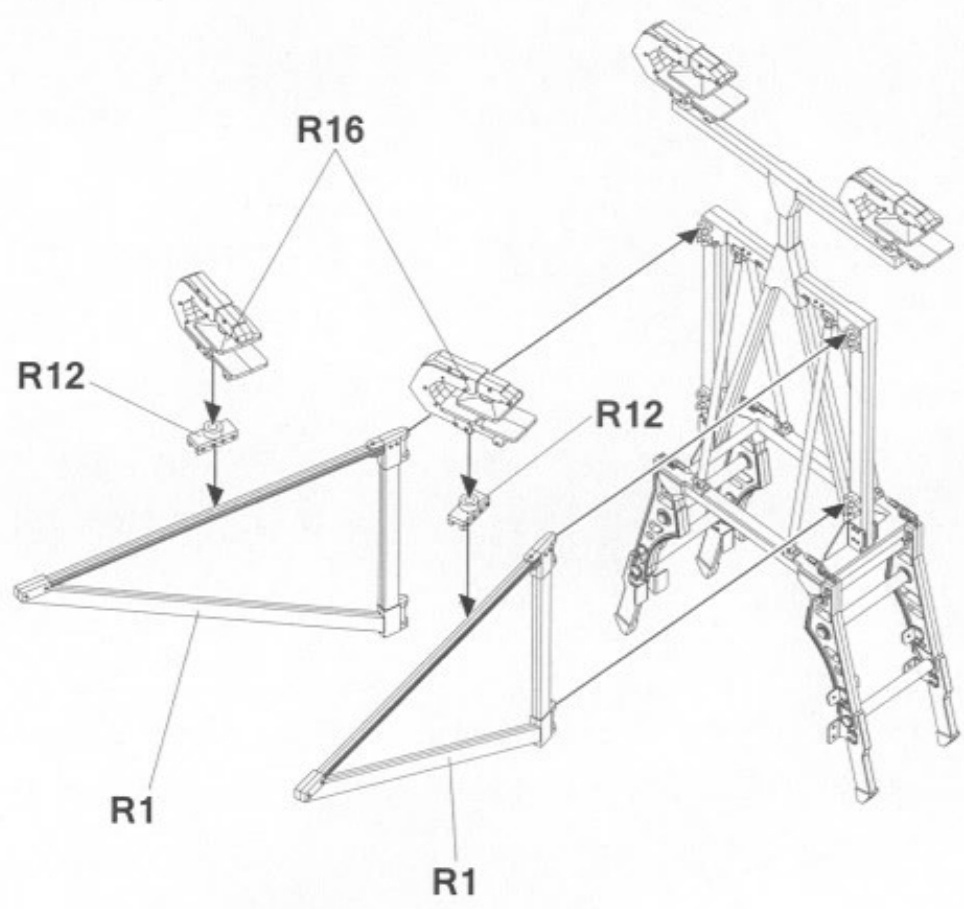
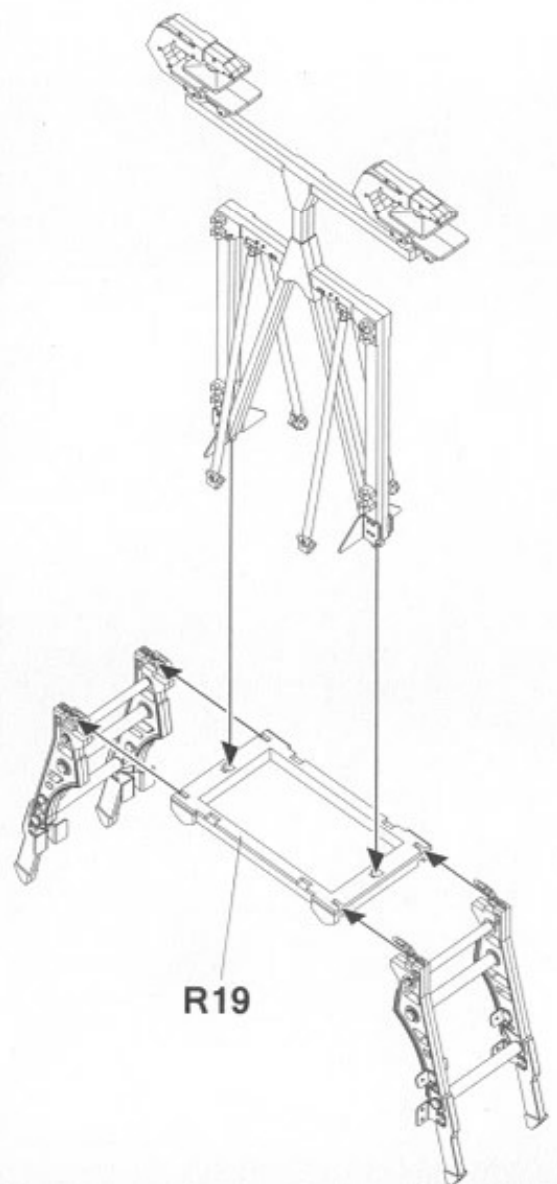
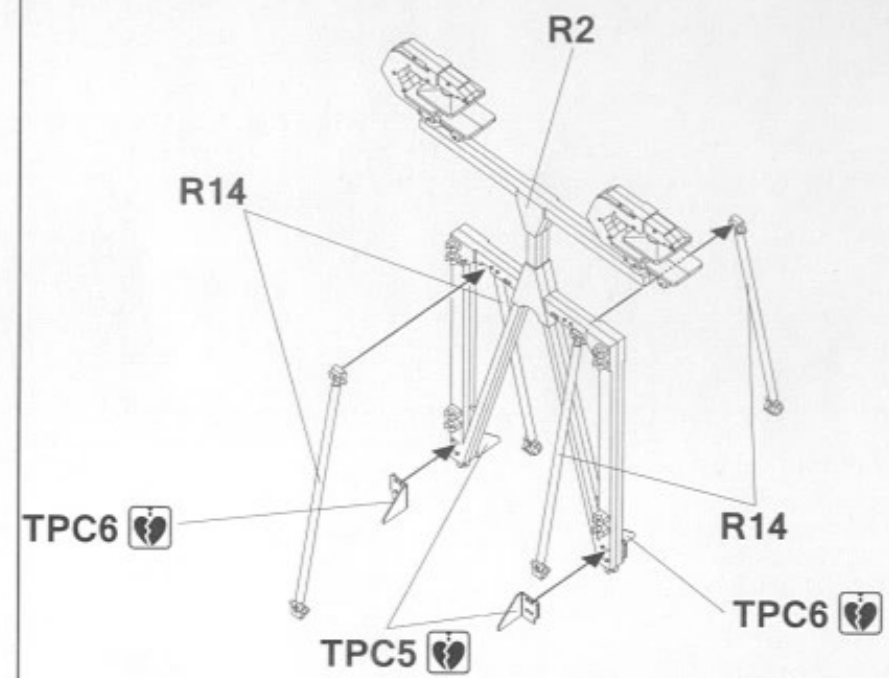
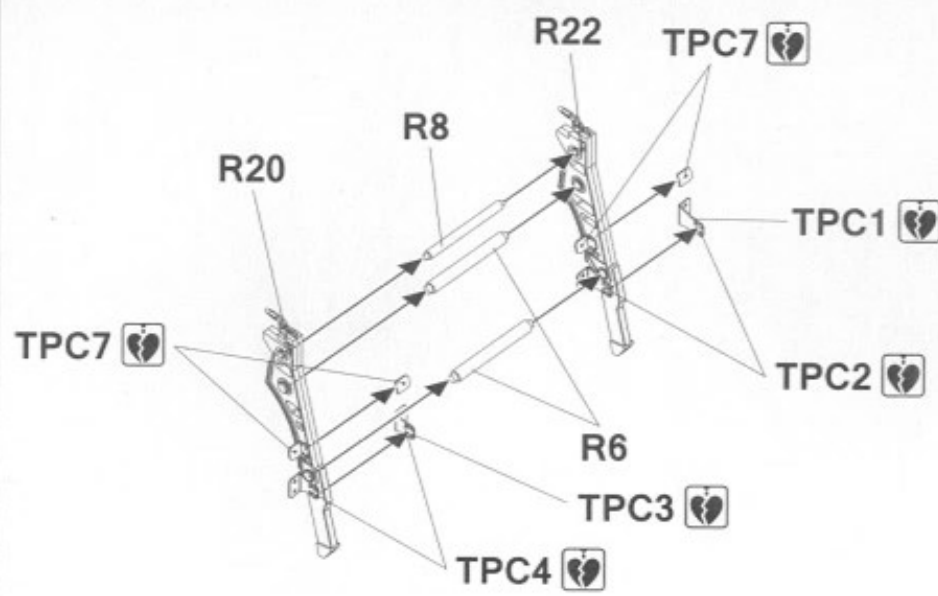
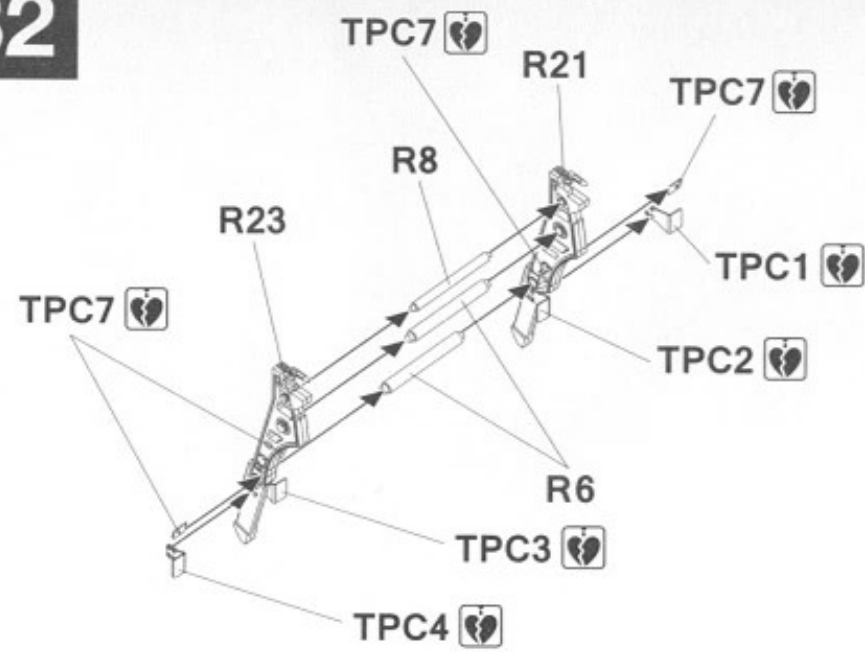


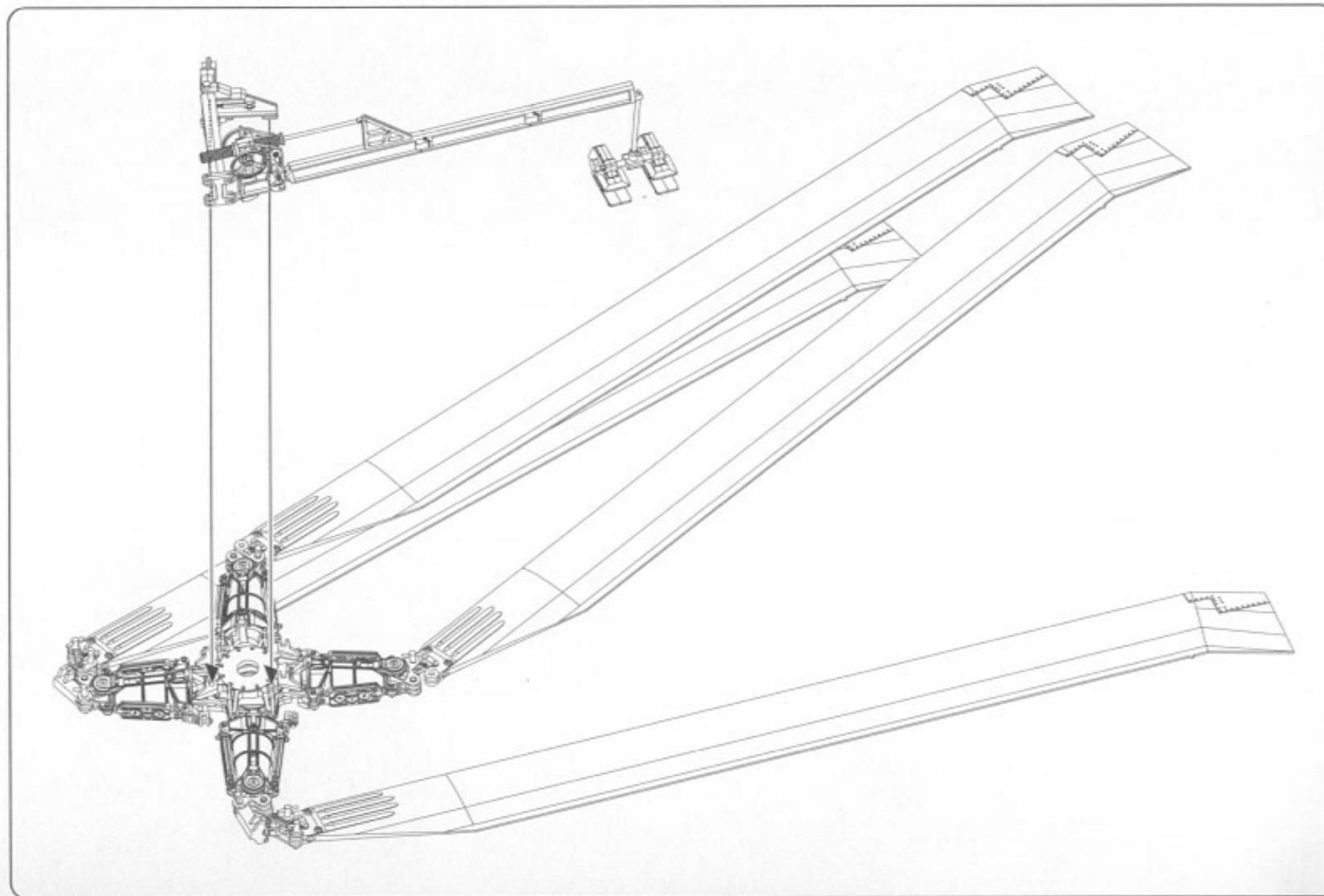
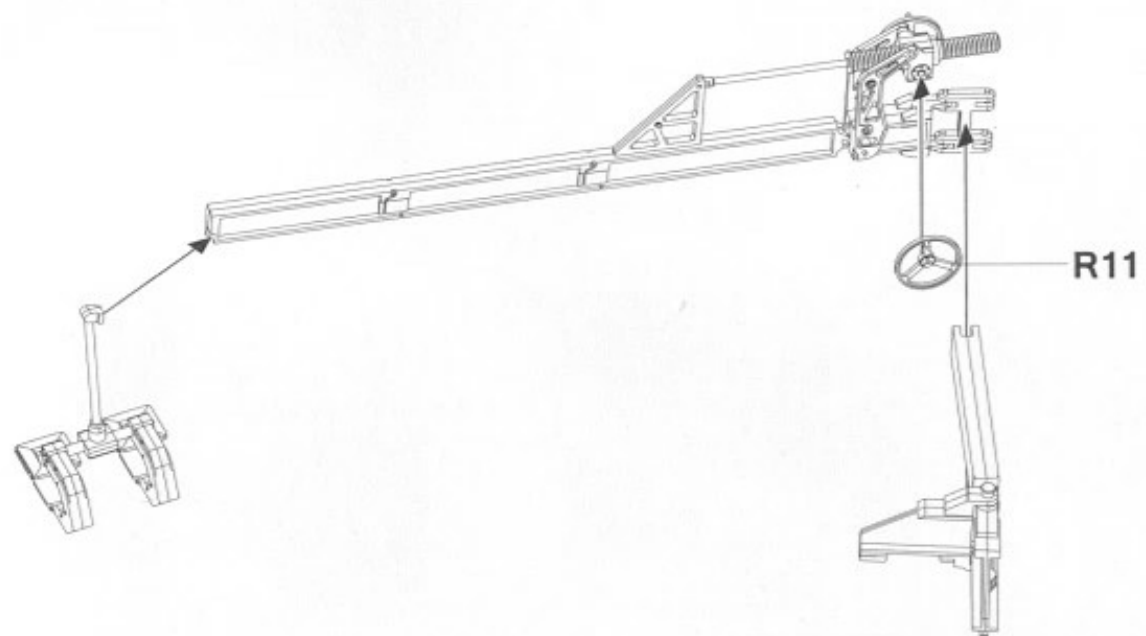
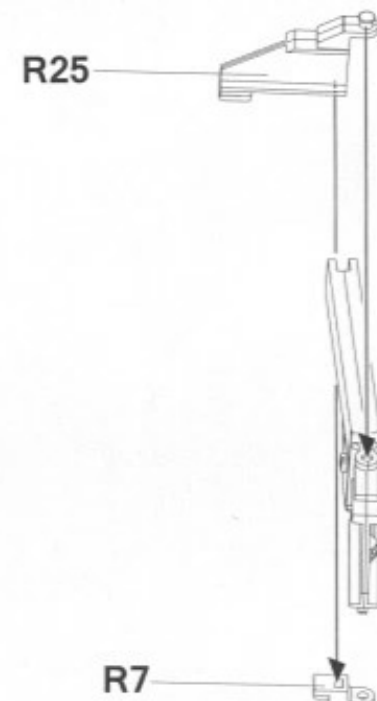
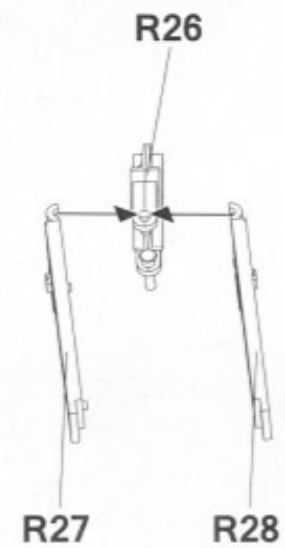
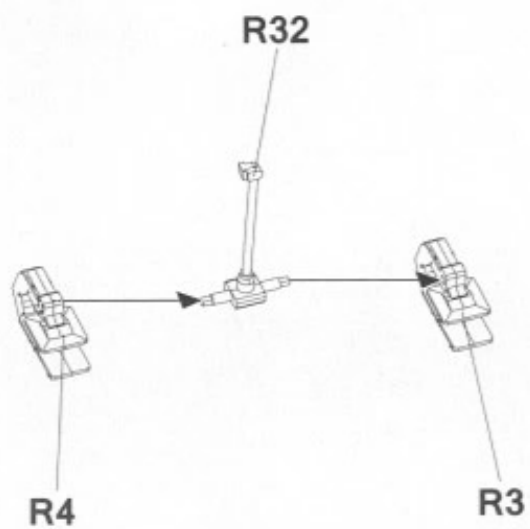
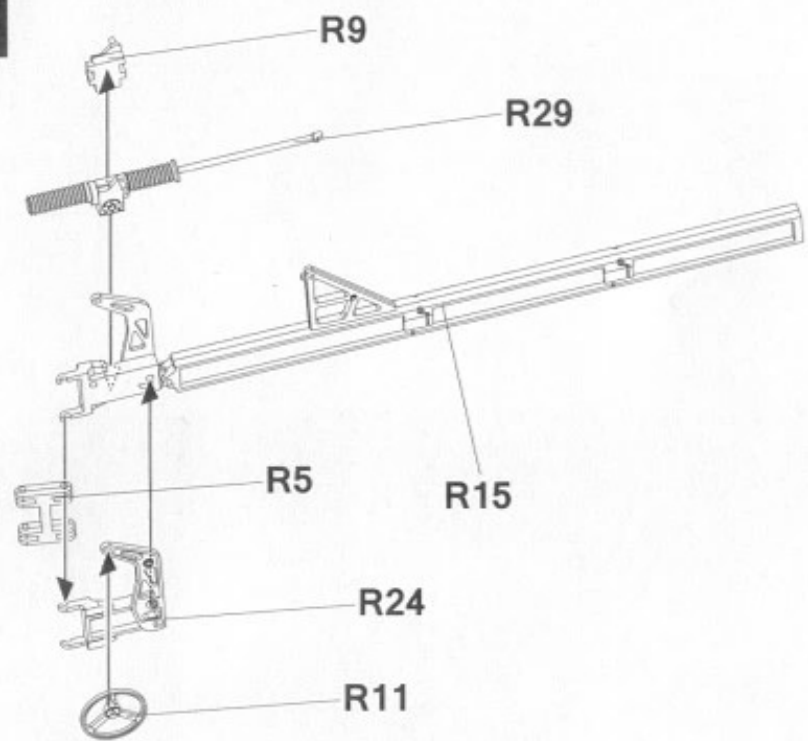
C

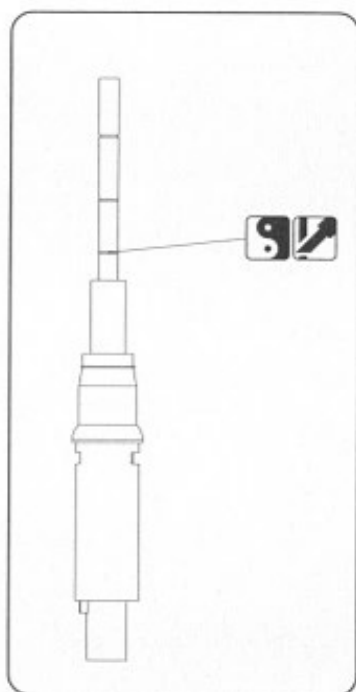
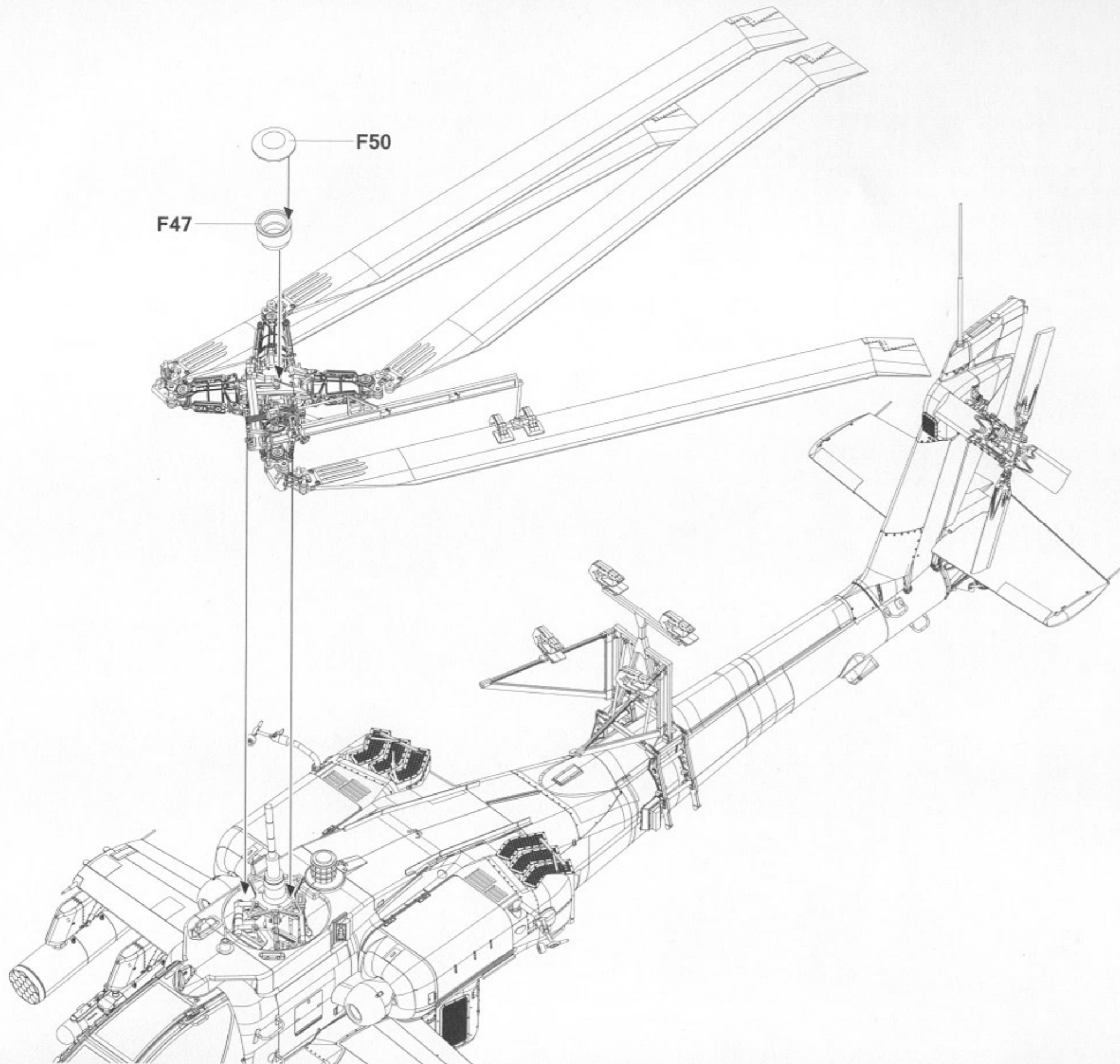
D

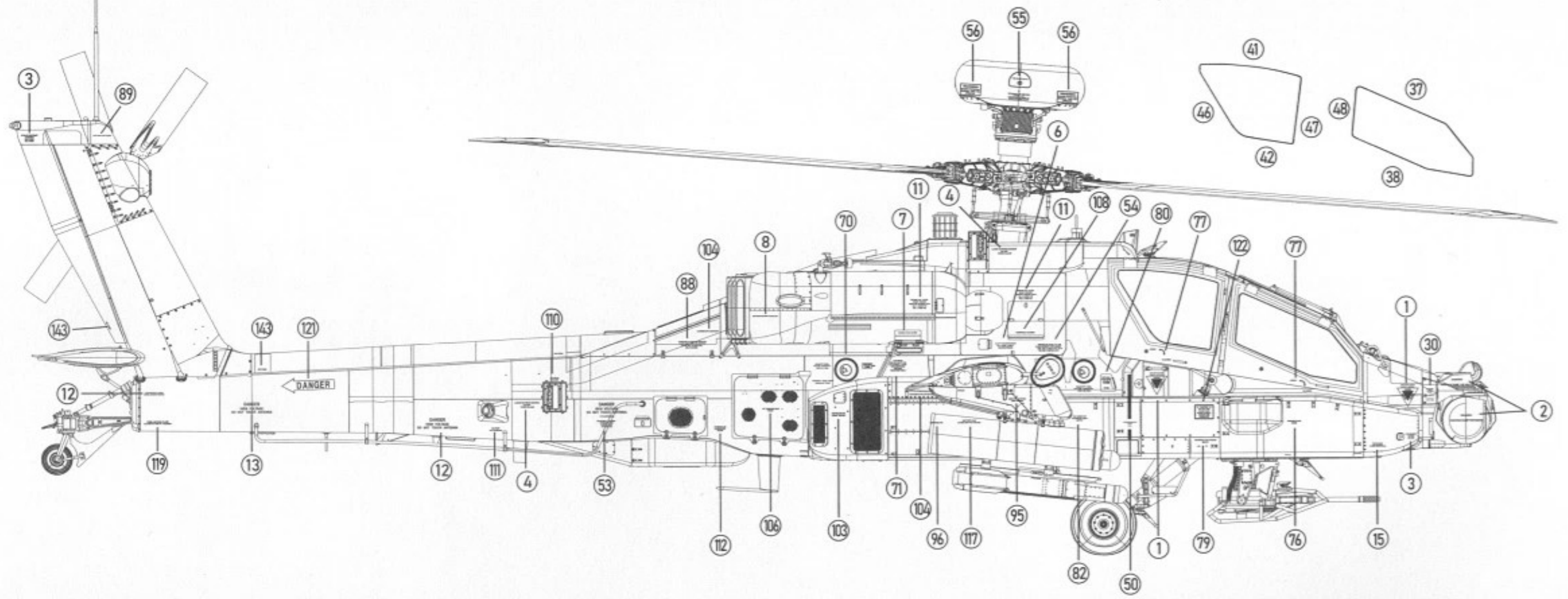
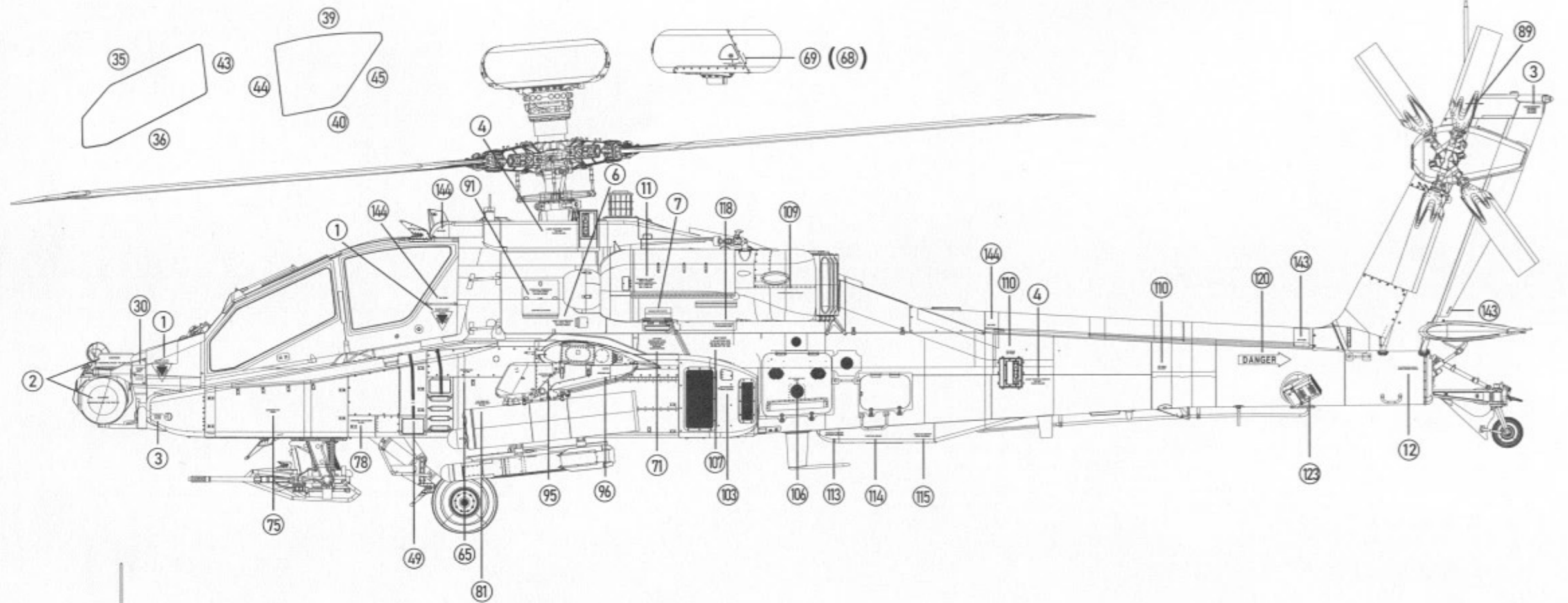


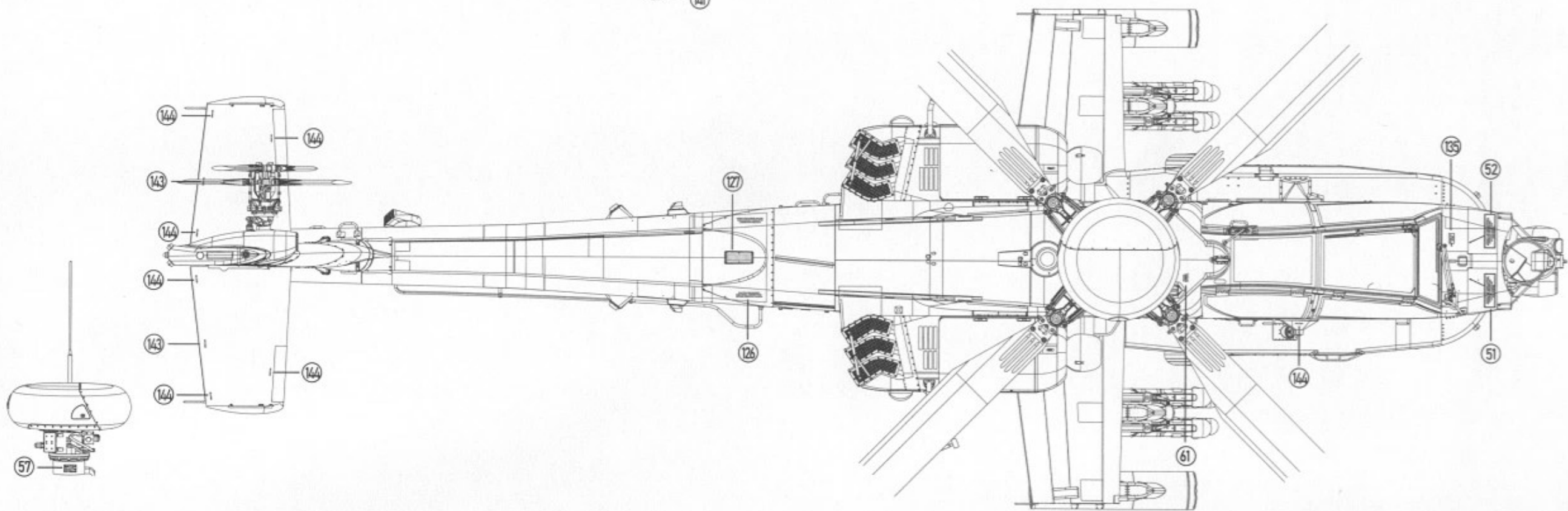
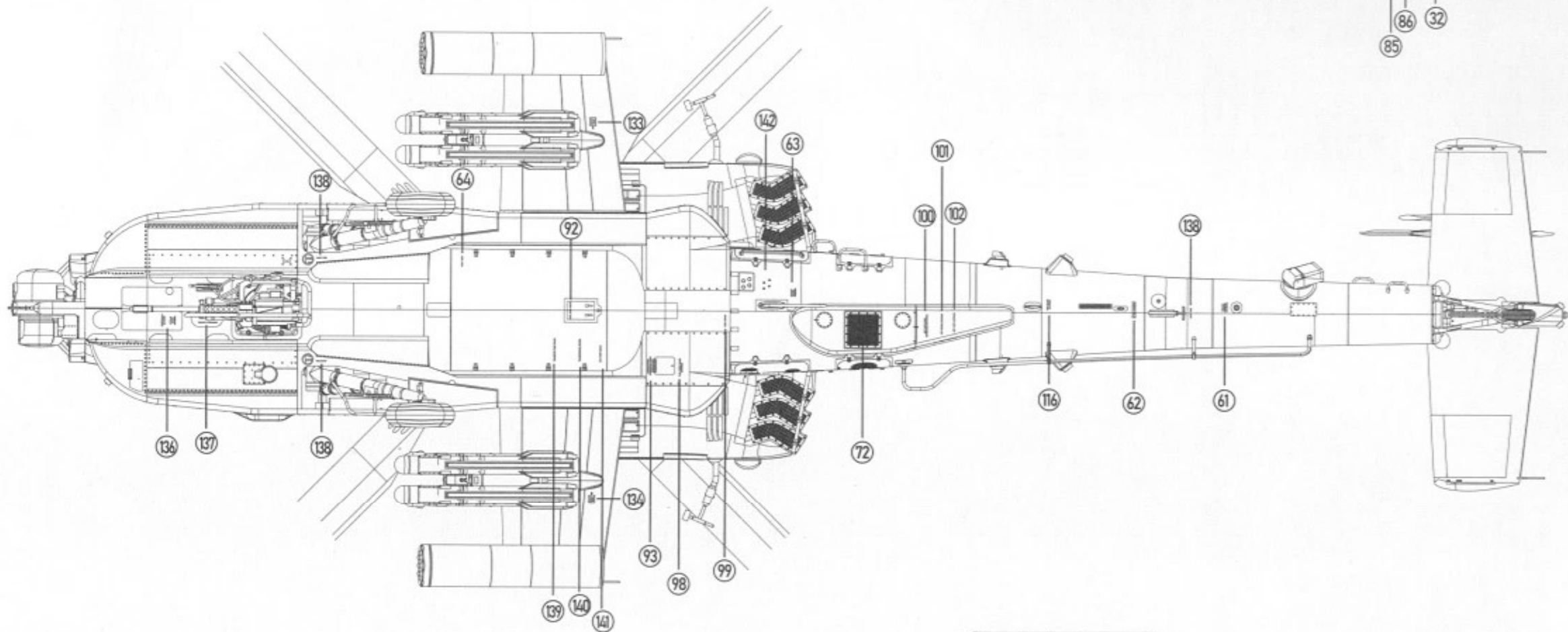
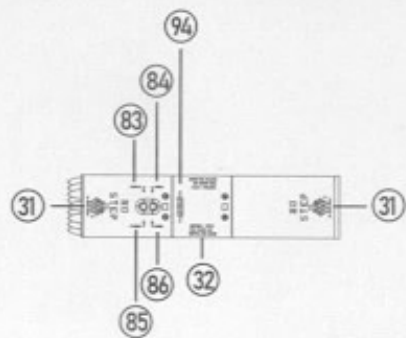
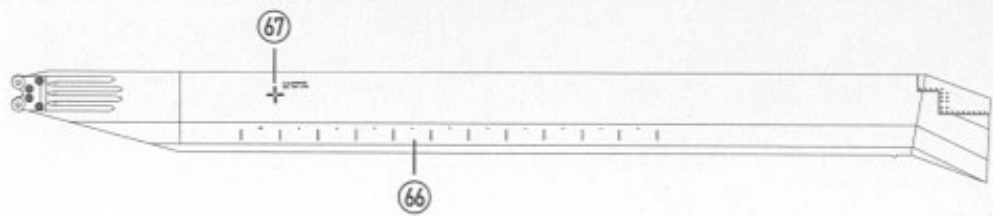












AH-64D APACHE LONGBOW



by MIG Jimenez
www.ammo.es

Painting and Marking Guide

- A.MIG-0925 RLM 83 Olive Drab Dark
- A.MIG-0278 Nato Black
- A.MIG-033 Rubber & Tires
- A.MIG-0043 Gun Metal



B-1-3 ATKHB "VIPERS", 31D, US ARMY, IRAQ, 2003

C-1-3 ATKHB "VIPERS", 31D, US ARMY, IRAQ, 2003

A-1-227 ATKHB "AVENGERS", US ARMY, IRAQ, 2003

AH-64E APACHE GUARDIAN

ATTACK HELICOPTER



A DETAILED COCKPIT DISPLAY PLASTIC MODEL
A HELICOPTER BLADES INCLUDED
A HELICOPTER GUNBARRELS INCLUDED
A SET OF MARKINGS



'E' OF THE WORLD AH-64E

ATTACK HELICOPTER

LIMITED EDITION



1/35
No. 2603

2022/2601

