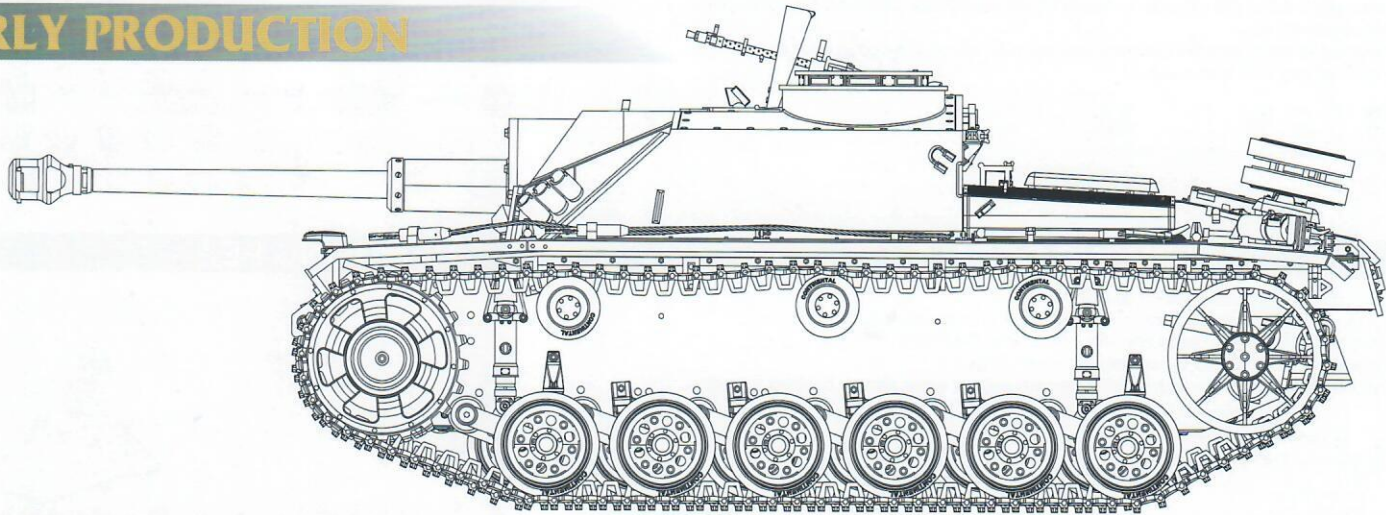


StuG.III Ausf.G

EARLY PRODUCTION



Based on the obsolete Panzer III, the Sd.Kfz 142/1 StuG III Ausf. G became the ultimate version of the Sturmgeschütz III family of German AFV's, with some 7,720 being produced from December 1942 until March 1945. The main improvement over previous variants was a new casemate superstructure made up of slanted 30mm side armor & 50mm frontal armor plates. This casemate featured a new commander's cupola fitted with 7 periscopes and an SE14Z scissors periscope.

Numerous changes were made throughout production of the series. The first came early with the addition of a hinged armored gun shield in front of the loader's hatch. In February 1943 a set of three smoke dischargers were fitted to each side at the front of the casemate, only to be removed again in May. In April 1943 armored skirts were installed to protect its flanks against anti-tank rifles and hollow charges. In May 1943 the frontal armor was improved with a single 80mm plate in place of the previous combined 50mm & 30mm plates bolted together. Later in 1943 the cupola was given an armored deflector to increase protection, and the 75mm StuK 40 L/48 gun mantle was replaced with a 'Saukopf' or 'Topfblende' casting. In March 1944 a remote controlled MG34 was fitted, and in May a Nahverteidigungswaffe close range defense weapon was installed in the roof.

These vehicles became ubiquitous during WWII, not only fighting effectively for the Germans from Normandy to Kursk, but also with the armies of Finland, Italy, Bulgaria and Romania. Some examples fought on well after the war, when Syrian vehicles were destroyed by superior Israeli forces during the Six Day War in 1967.

READ BEFORE ASSEMBLY

CAUTION

- Read carefully and fully understand the instructions before commencing assembly. A supervising adult should also read the instructions if a child assembles the model.
- When assembling this kit, tools including knives used. Extra care should be taken to avoid personal injury.
- Keep out of reach of small children. Children must not be allowed to suck any part, or pull vinyl bag over their heads.



Optional



Instant Glue for Metal



Be Careful

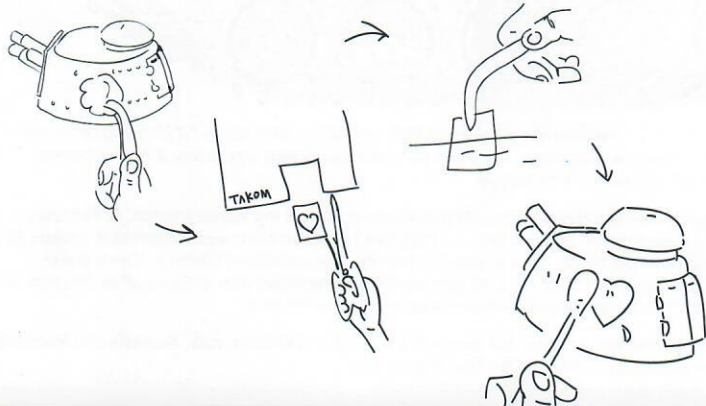
PAINTS REQUIRED

Color info and profiles by Mig Jimenez

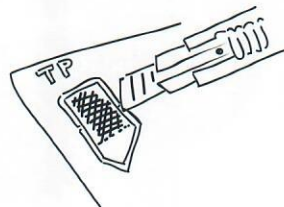
A.MIG-0035	Dark Tracks	A.MIG-0031	Rubber & Tires	A.MIG-0045	Gun Metal	A.MIG-0036	Old Wood
A.MIG-0032	Satin Black	A.MIG-0028	Crystal Periscope Green	A.MIG-0010	RAL 7028 Dunkelgelb (Mid War)	A.MIG-0037	New Wood
A.MIG-0038	Light Wood	A.MIG-0001	RAL 6003 Olivgrun Opt.1	A.MIG-0002	RAL 6003 Olivgrun Opt.2	A.MIG-0015	RAL 8017 Schokobraun

APPLYING DECALS

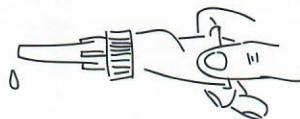
1. Clean the model surface with a wet cloth.
2. Cut out each decal design from sheet, and dip it in tepid water for 15~20 sec.
3. Hold the backing sheet edge and slide decal onto the model.
4. Move decal into position by wetting decal with finger.
5. Press decal gently down with a soft cloth until excess water and air bubbles are gone.



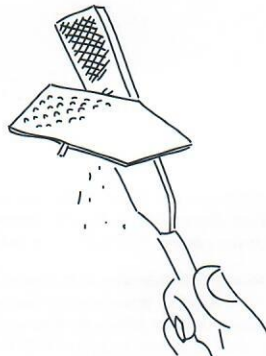
REMOVING PE



Be careful not to hurt when removing PE parts.



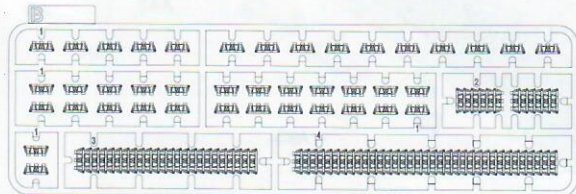
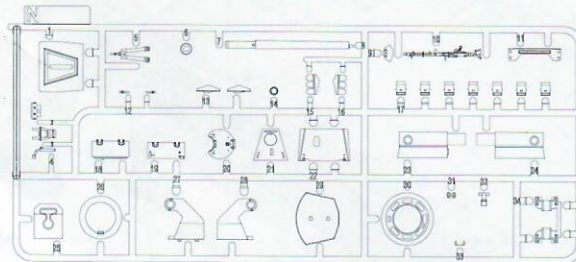
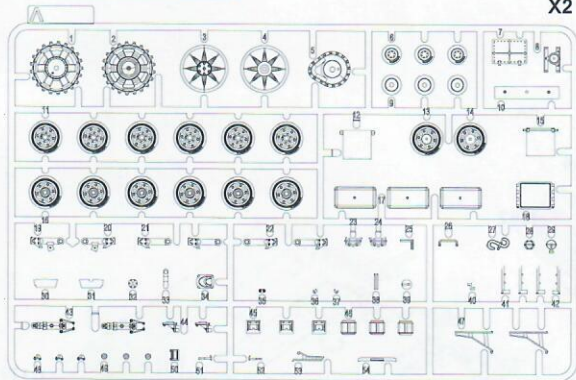
Secure using instant glue (not included).



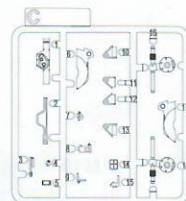
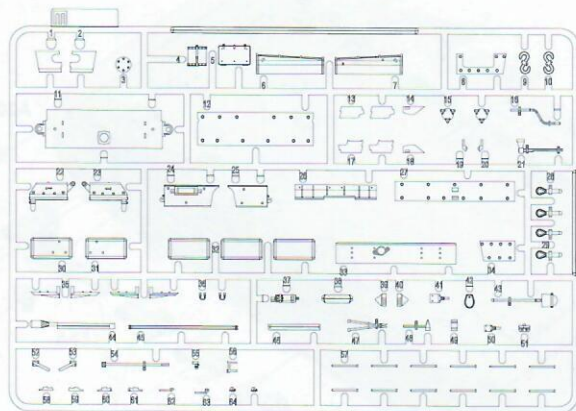
Finish using file.

PARTS

X2



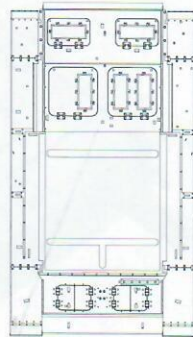
X2



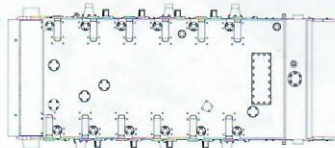
Turret



S



Upper Hull

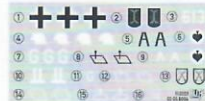


Lower Hull

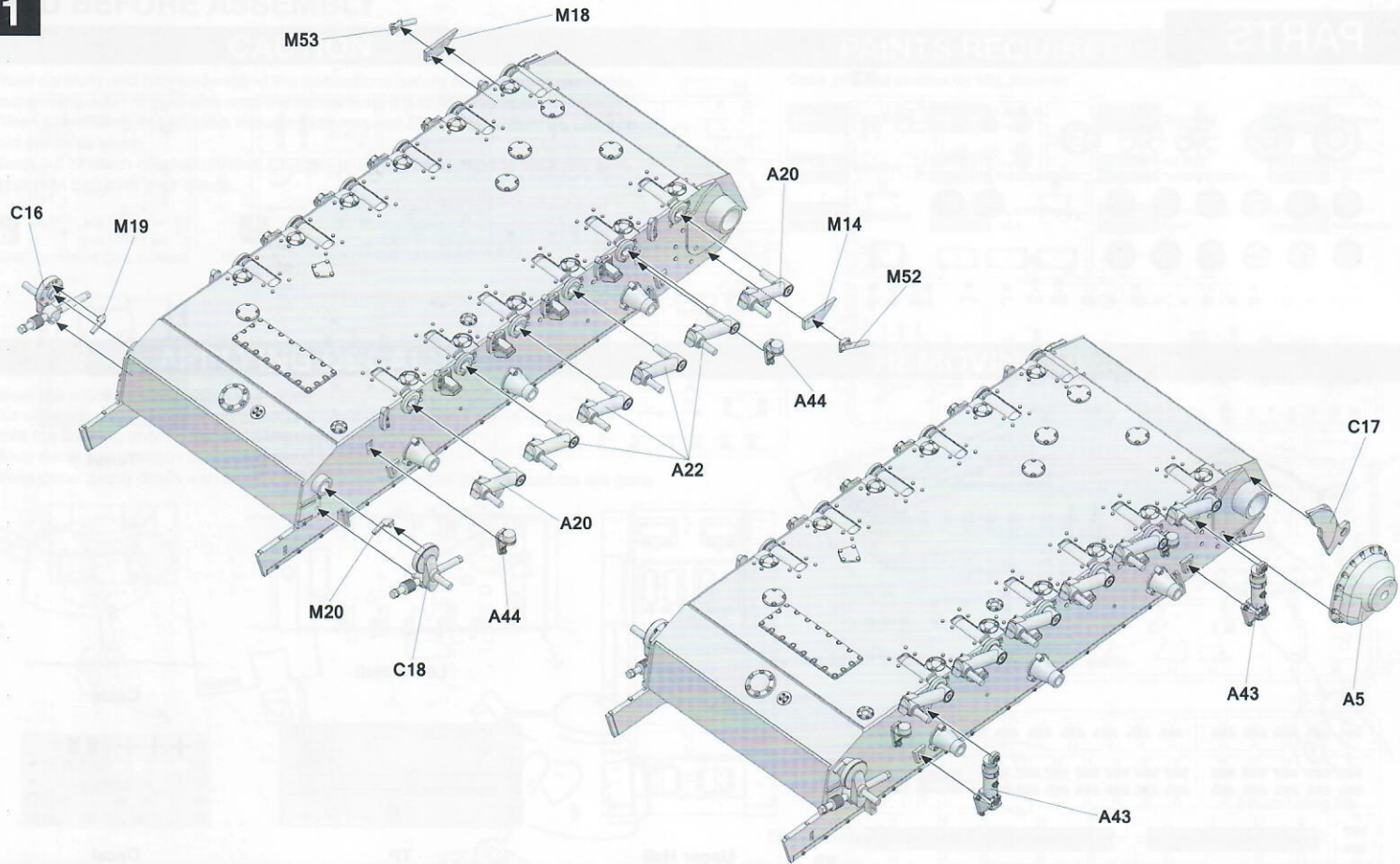


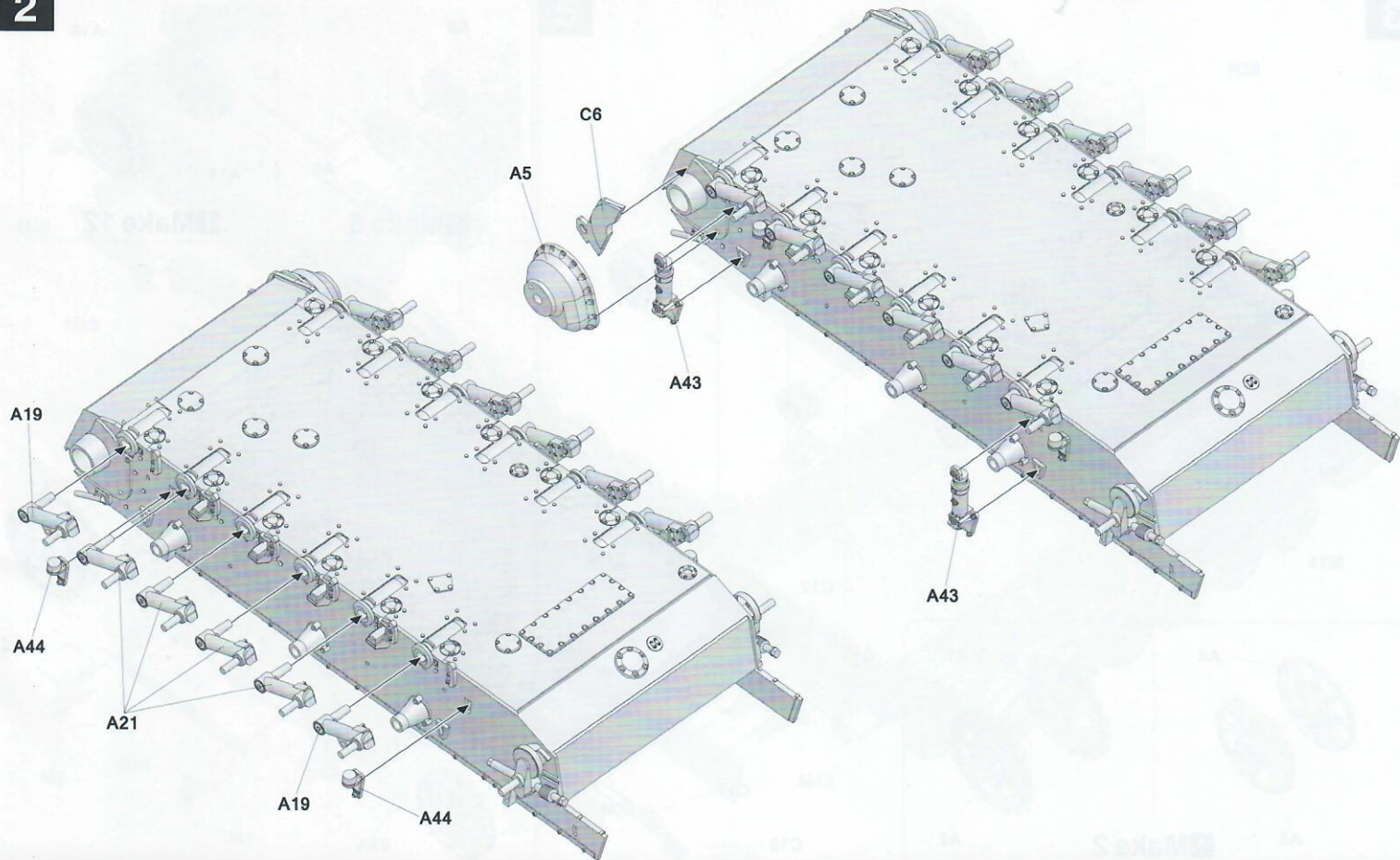
TP

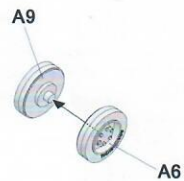
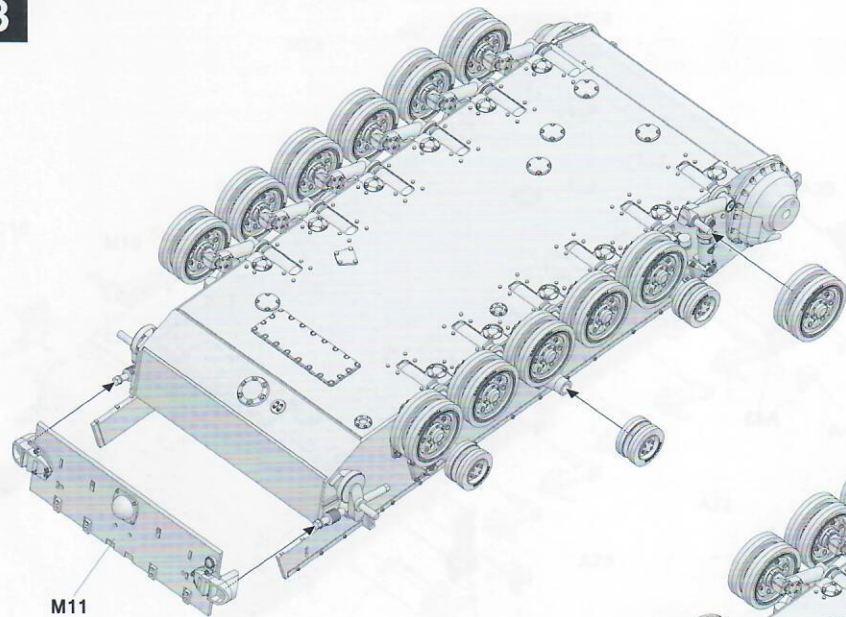
Cable



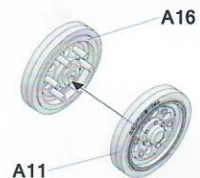
Decal



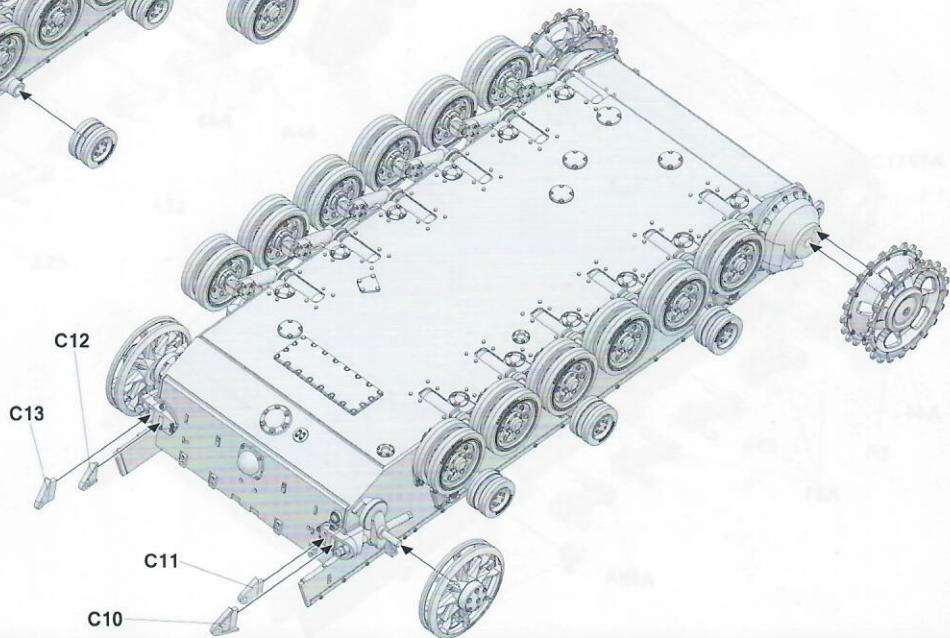
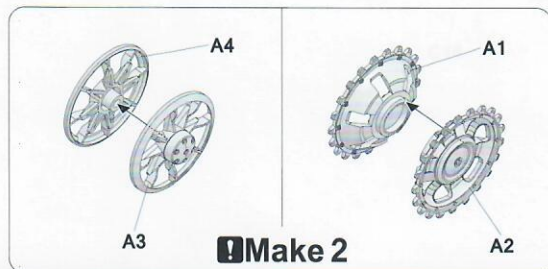




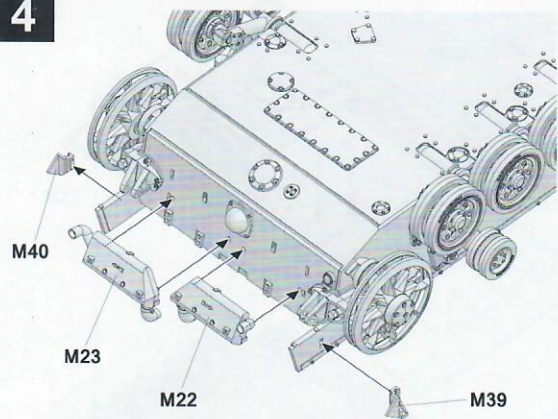
Make 6



Make 12



4



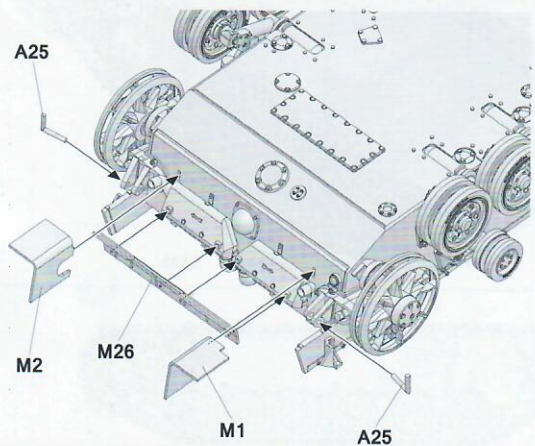
A25

M2

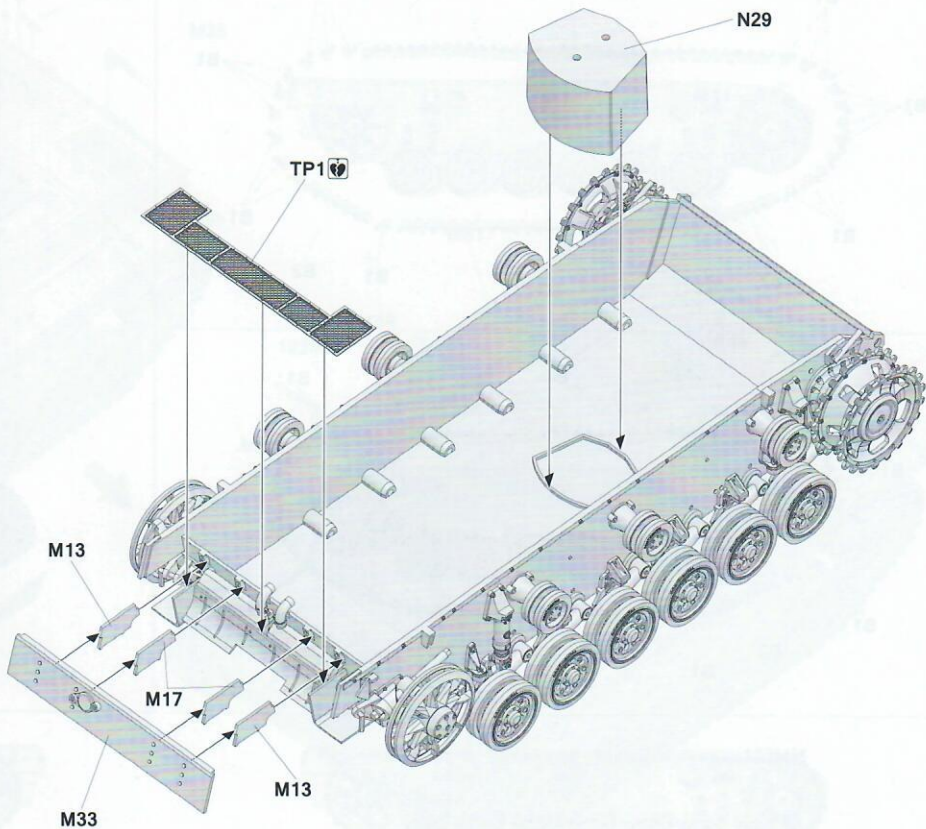
M26

M1

A25

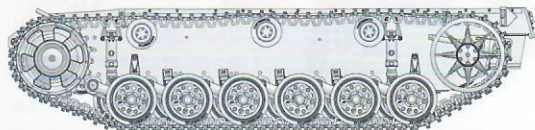
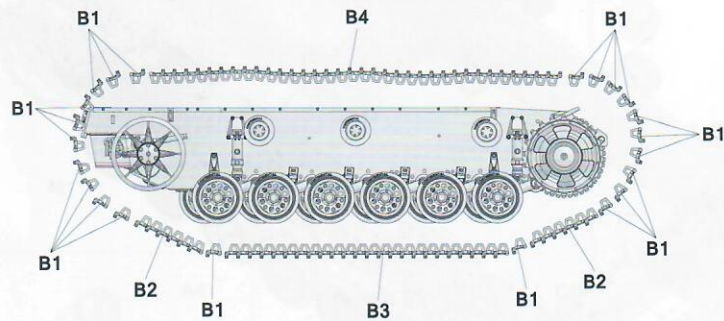
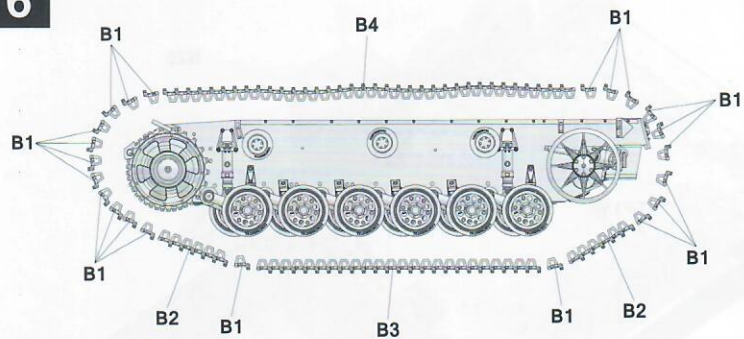


5

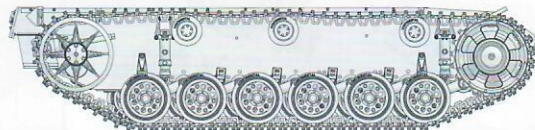
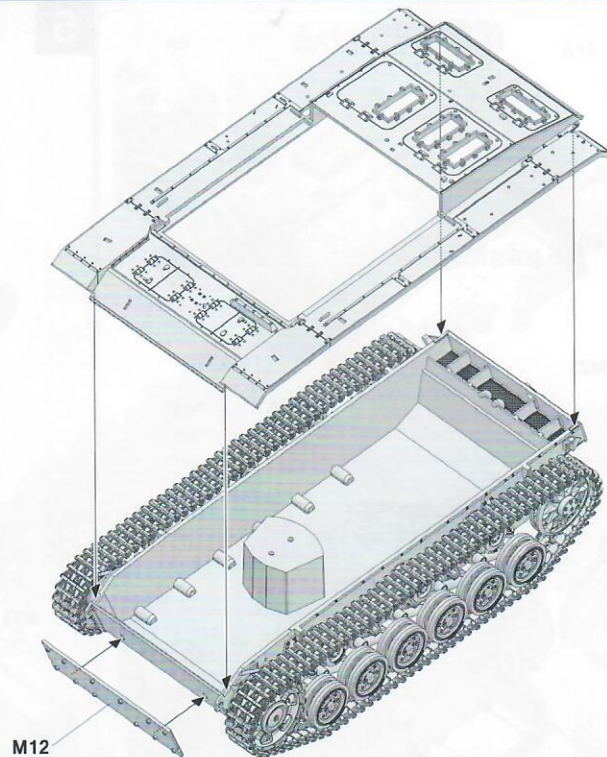


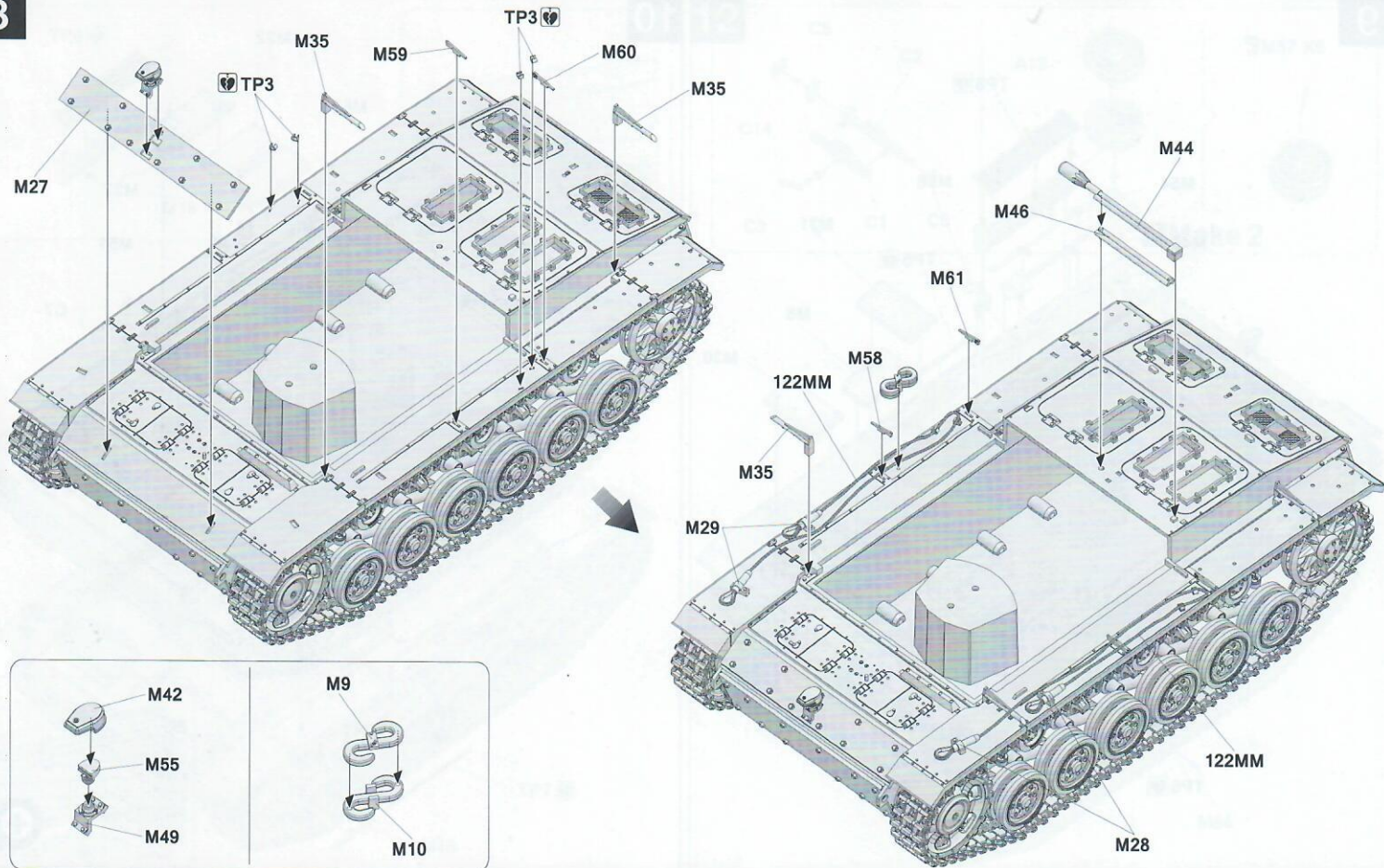
6

6

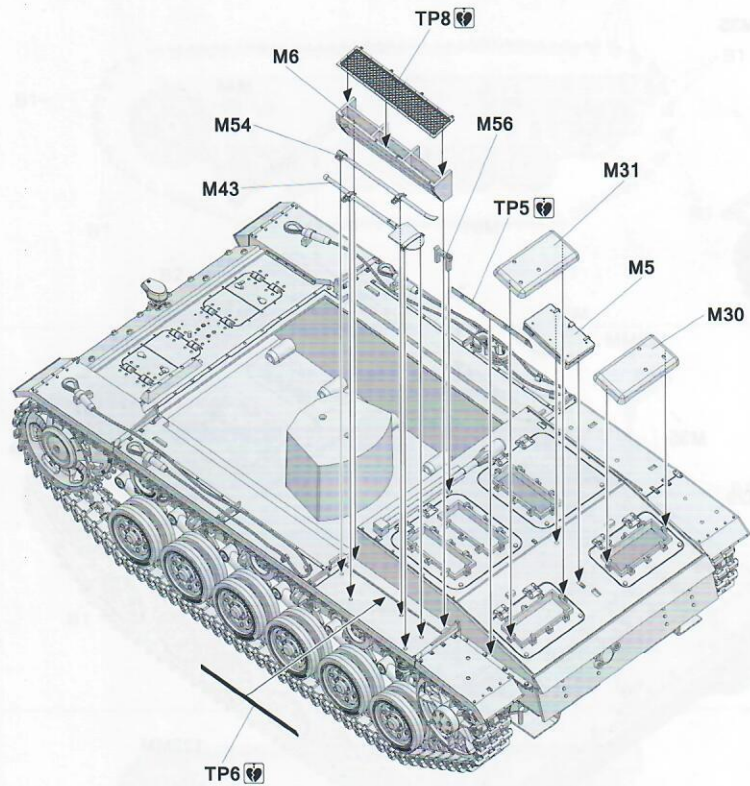


7

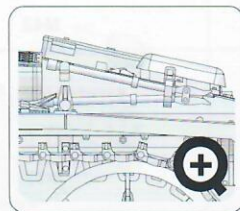
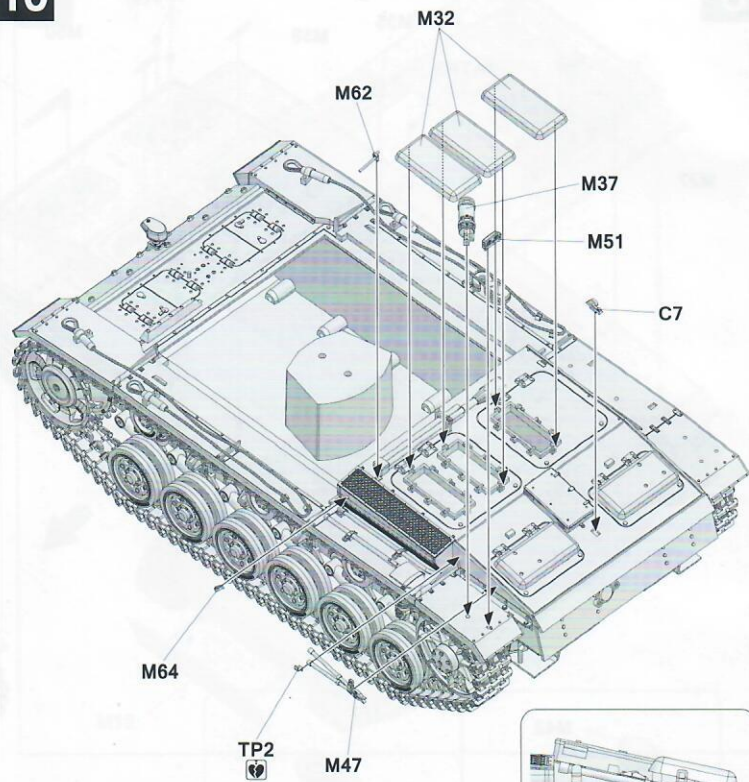




9

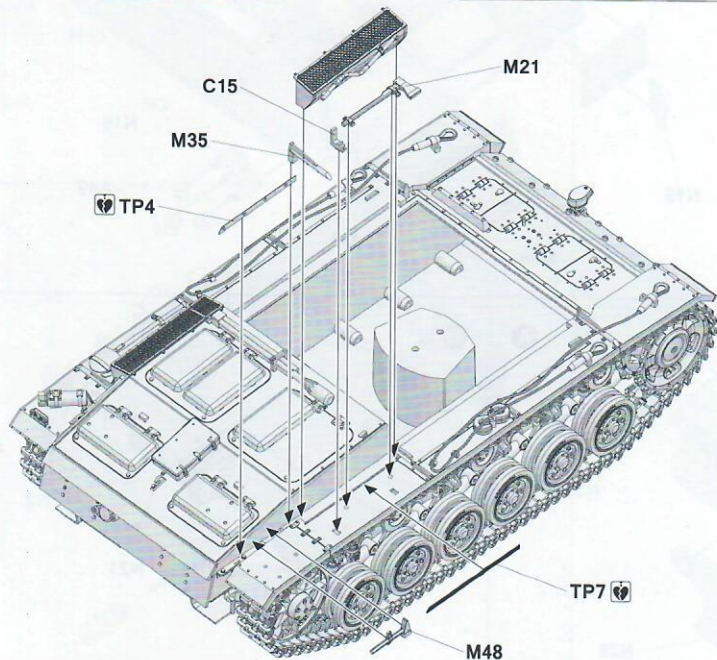
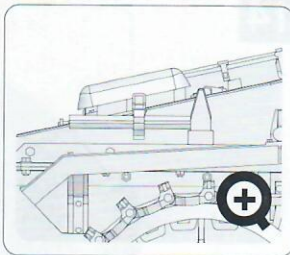
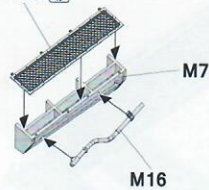


10

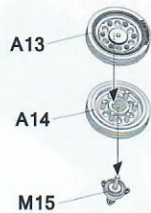
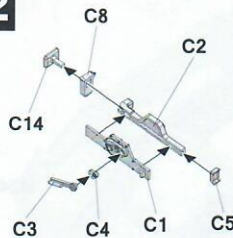


11

TP9



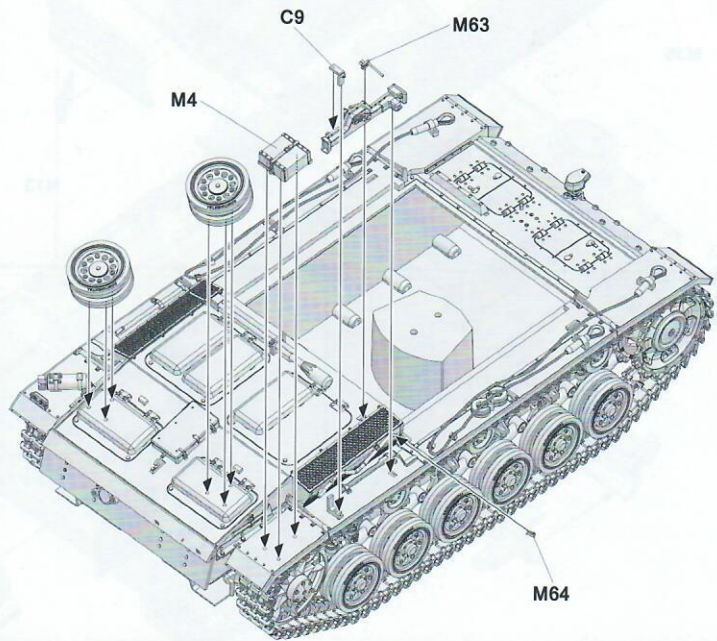
12



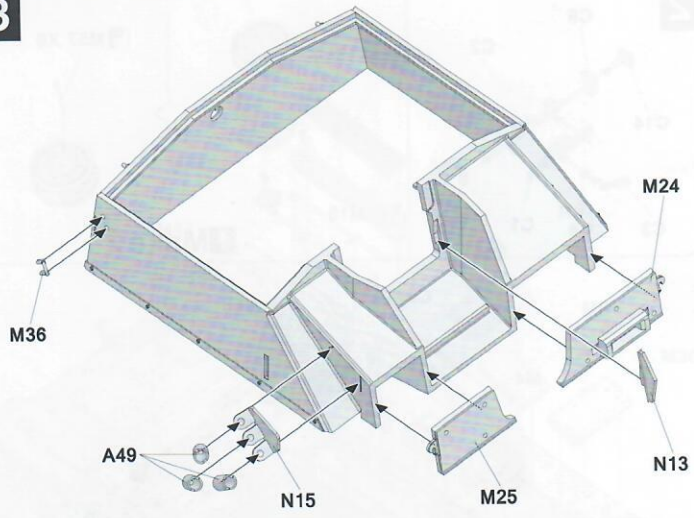
M57 X6



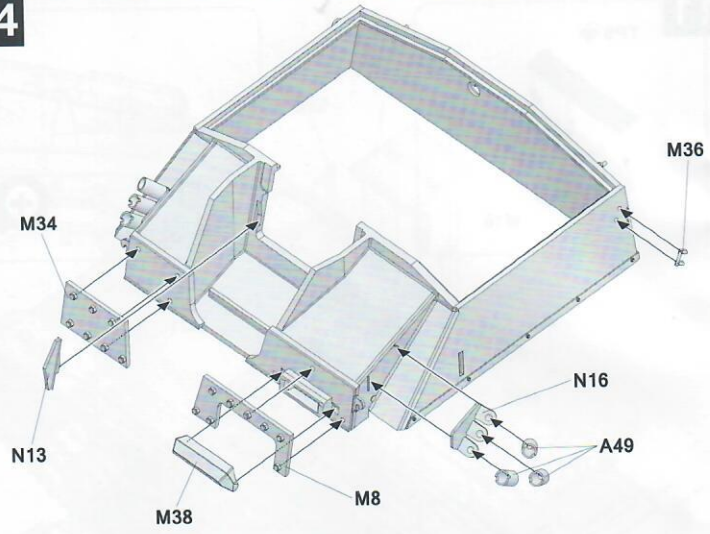
Make 2



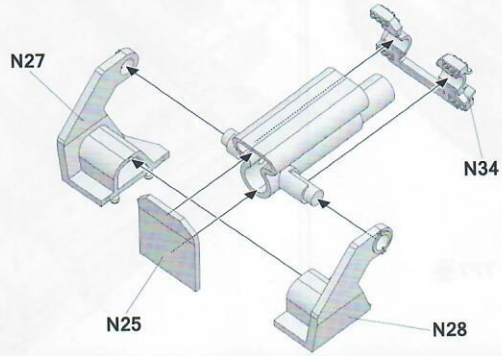
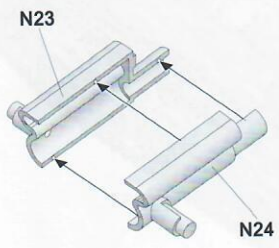
13



14

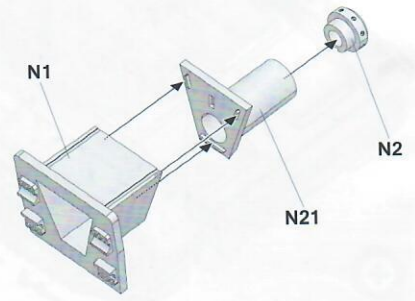


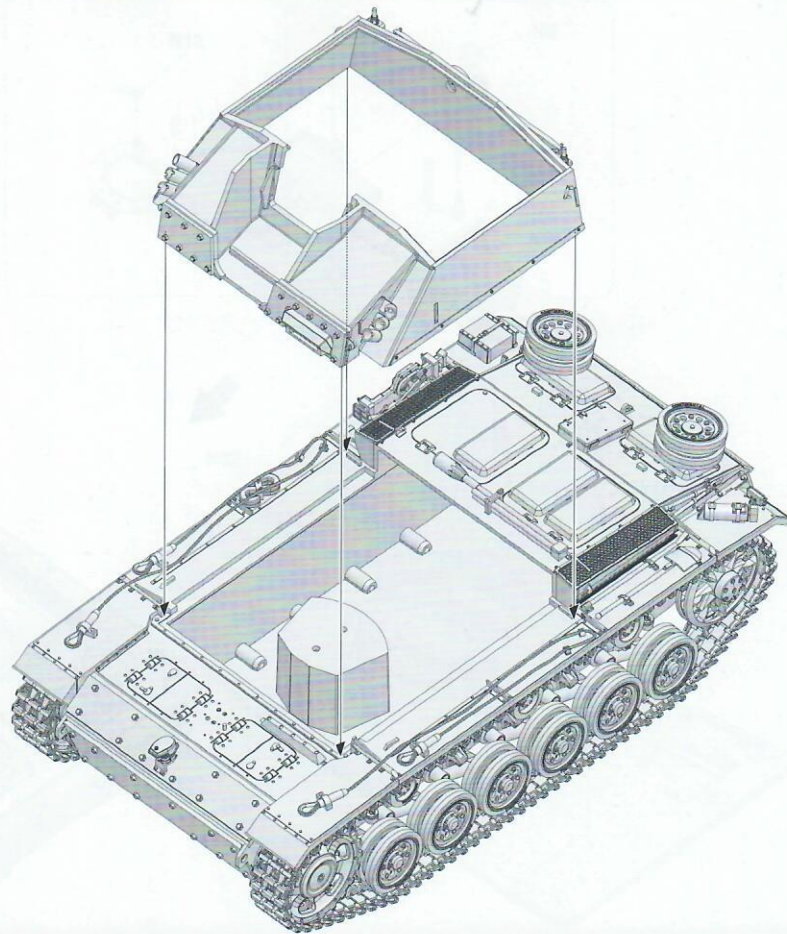
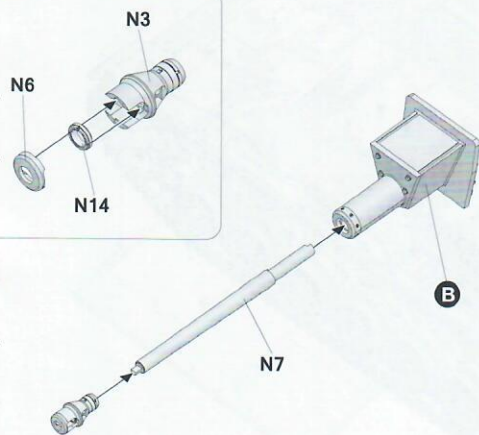
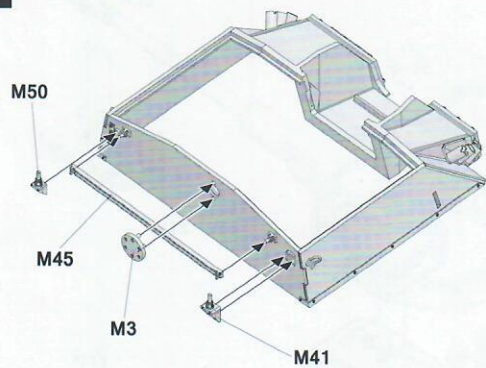
15

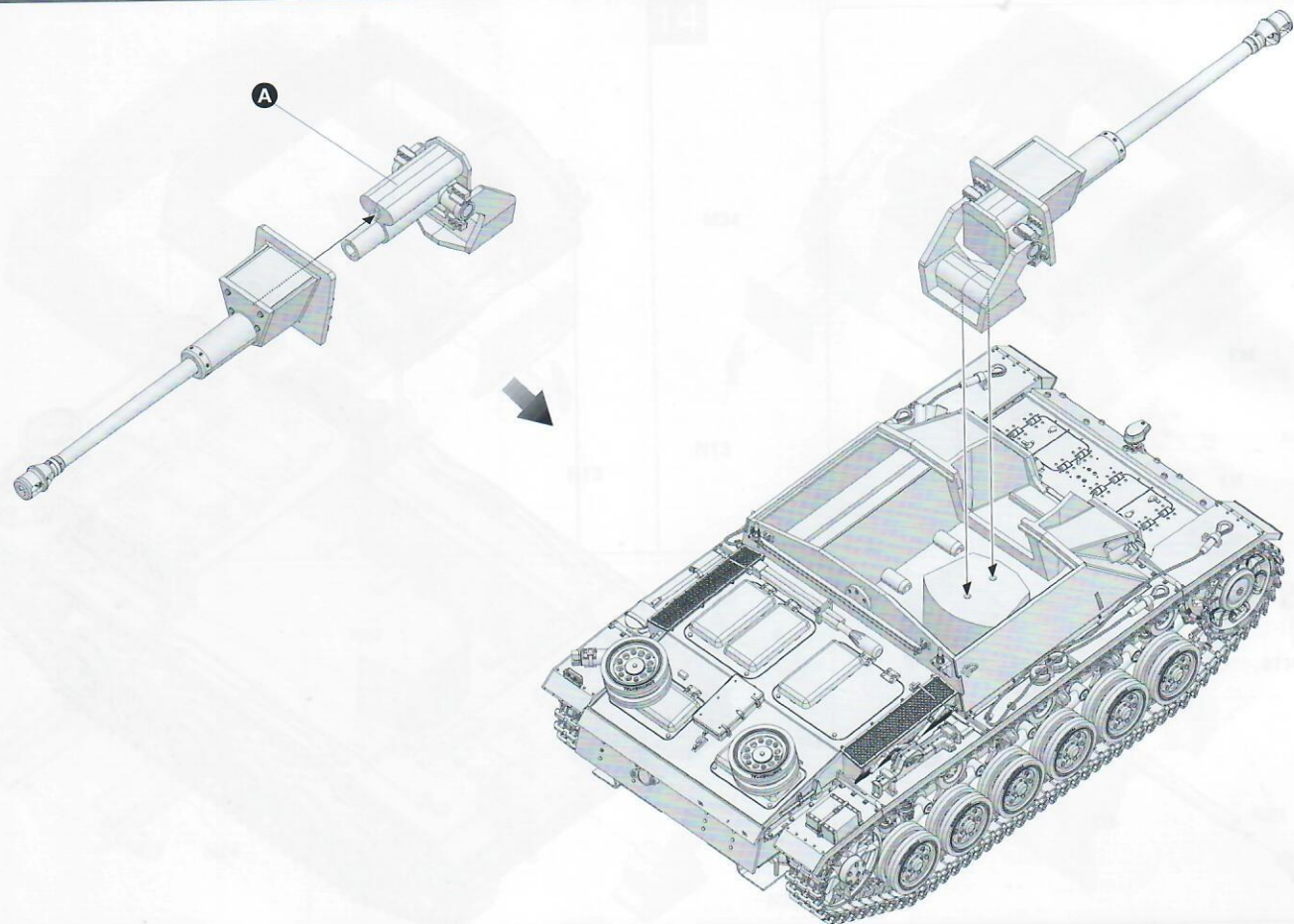


A

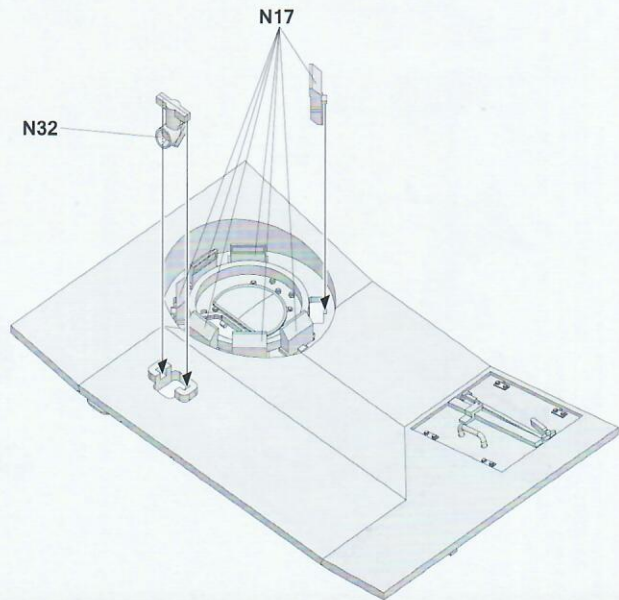
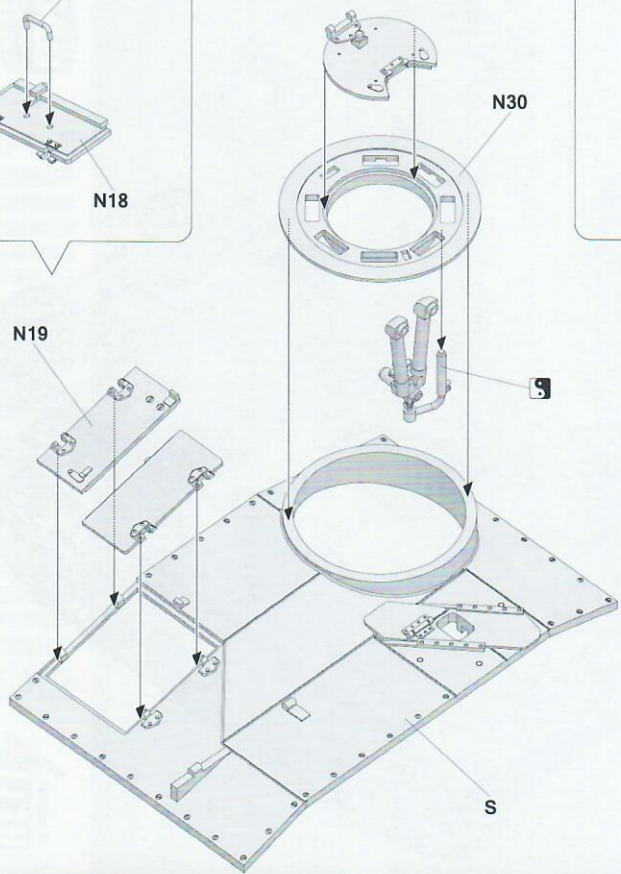
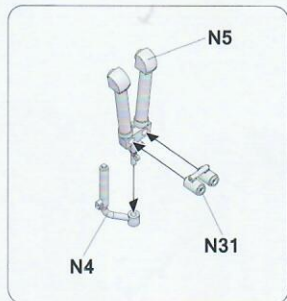
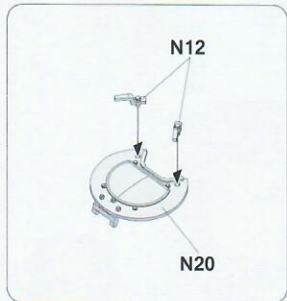
B



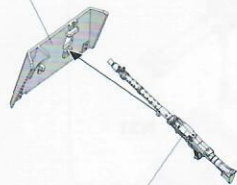




18

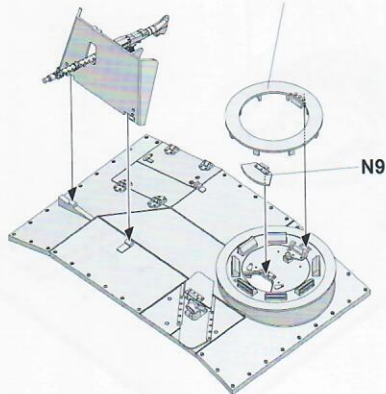


N22

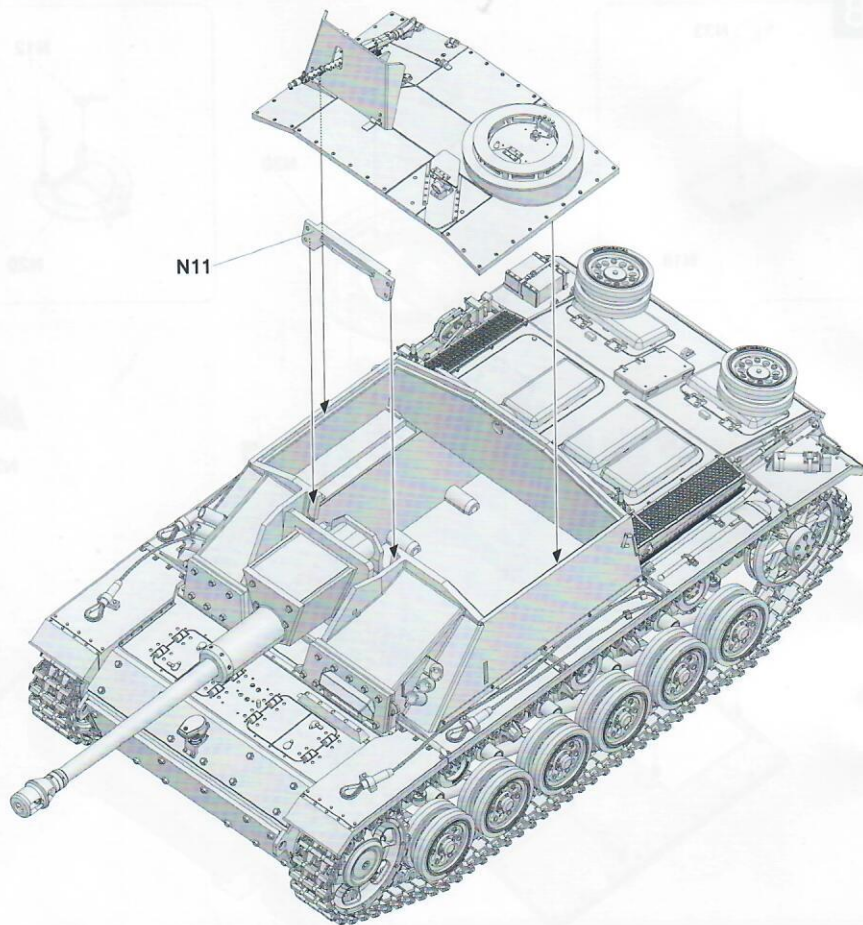


N10

N26



N9



N11

03.03.8004

BLITZ
 by TAKOM

Sturmgeschütz

www.migjimenez.com



Painting and Marking Guide

TAKOM Ref: 8004

Sturmgeschütz

 Sturmgeschütz Batterie 742,
 Northern Finland,
 July 1943

A.MIG-0035 Fuel Tanks

A.MIG-0023 Rubble & Dirt

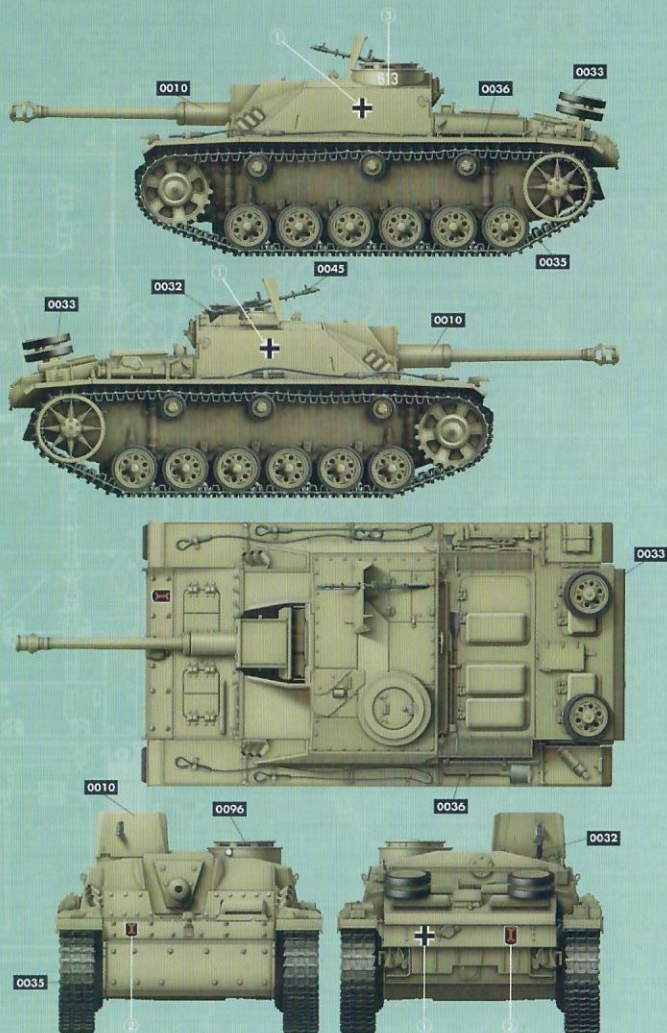
A.MIG-0045 Mud Stains

A.MIG-0036 Oil Stains

A.MIG-0032 Top Wash

A.MIG-0098 Central Finishes Wash

A.MIG-0019 Oil, Fuel, Lubricants, Grease Stains



WEATHERING STEPS WITH AMMO PRODUCTS

1 GENERAL WASH A.MIG-1000 Brown Wash for Dark Yellow	3 STREAKING A.MIG-1203 Streaking Grime	5 RUST A.MIG-1254 Streakingbrusher Rust	7 MUD A.MIG-1704 Heavy Earth	9 SPLASHES A.MIG-1753 Turned Dirt
2 FILTER A.MIG-1511 Browns for Dark Yellow	4 TRACKS WASH A.MIG-1002 Tracks Wash	6 DUST A.MIG-3013 Rubble	8 FUEL A.MIG-1408 Fresh Engine Oil	10 OIL A.MIG-1409 Fuel Stains

03.03.8004

BLITZ
 by TAKOM

Sturmgeschütz

www.migjimenez.com



Painting and Marking Guide

TAKOM Ref: 8004

Sturmgeschütz

 SS-Sturmgeschütz Abteilung 2,
 'Das Reich',
 Belgorod, Russia,
 July 1943

A.MIG-0035 Dark Wash

A.MIG-0033 Rubber & Tire

A.MIG-0045 Gun Metal

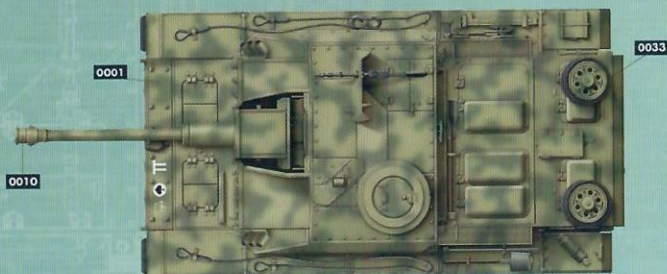
A.MIG-0037 Iron Metal

A.MIG-0032 Iron Black

A.MIG-0096 Ironed Polystyrene

A.MIG-0010 Flat, Weathered

A.MIG-0001 Flat, Oiled, Chipped



WEATHERING STEPS WITH AMMO PRODUCTS

1 GENERAL WASH

 A.MIG-1000 Brown Wash
 for Dark Yellow

2 FILTER

A.MIG-1511 Brown for Dark Yellow

3 STREAKING

A.MIG-1253 Streaking/brusher Grime

4 TRACKS WASH

A.MIG-1002 Tracks Wash

5 RAINMARKS

A.MIG-1208 Rainmarks Effects

6 DUST

A.MIG-3002 Light Dust

7 MUD

A.MIG-1702 Turned Earth

8 FUEL

A.MIG-1400 Fresh Engine Oil

9 SPLASHES

A.MIG-1751 Dry Steppe

10 OIL

A.MIG-1409 Fuel Stains

03.03.8004

BLITZ
 by TAKOM

Sturmgeschütz

www.migjimenex.com



Painting and Marking Guide

TAKOM Ref: 8004

Sturmgeschütz

 Sturmgeschütz-Brigade 242,
 Monte Cassino, Italy,
 February 1944

A.MIG-0035 Dark Earth

A.MIG-0033 Rubber & Tire

A.MIG-0045 Dark Metal

A.MIG-0037 Heavy Metal

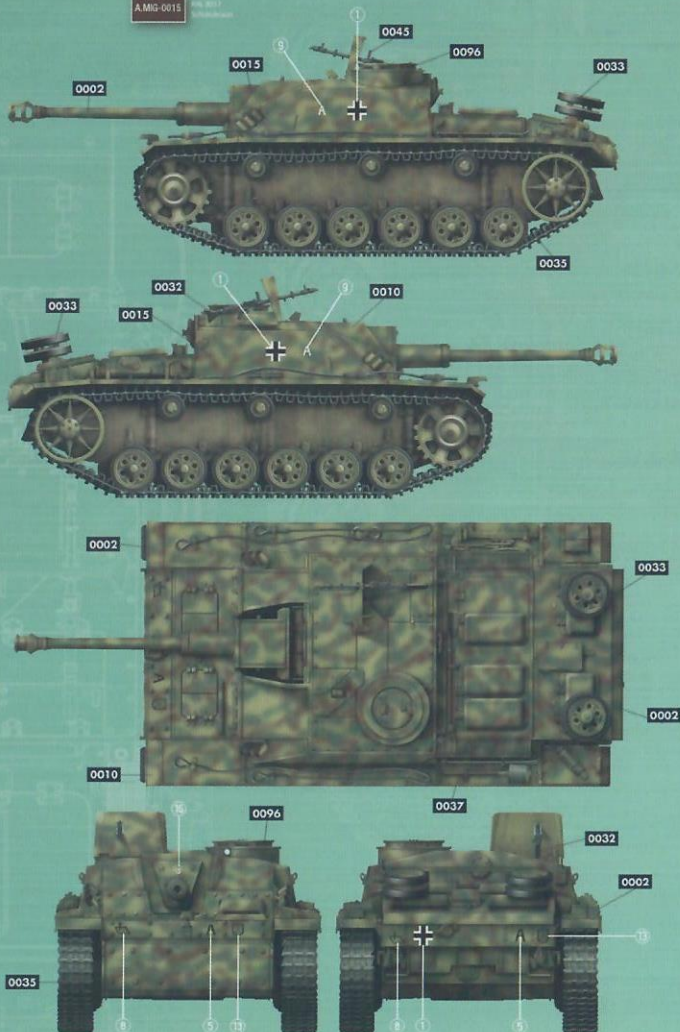
A.MIG-0032 Dark Black

A.MIG-0096 Exhaust Particles

A.MIG-0010 80% 70% Black/White (40:60)

A.MIG-0002 60% 100% Orange (40:60)

A.MIG-0015 60% 80% White/Black



WEATHERING STEPS WITH AMMO PRODUCTS

1 GENERAL WASH

 A.MIG-1005 Dark Brown Wash
 for Green vehicles

2 FILTER

A.MIG-1510 Tan for 3 Tone Camo

3 STREAKING

A.MIG-1253 Streaking/brusher Grime

4 TRACKS WASH

A.MIG-1002 Tracks Wash

5 RUST

A.MIG-3510 Rust

6 DUST

A.MIG-3011 Airfield Dust

7 MUD

A.MIG-1704 Heavy Earth

8 FUEL

A.MIG-1408 Fresh Engine Oil

9 SPLASHES

A.MIG-1753 Turned Dirt

10 OIL

A.MIG-1409 Fuel Stains

03.03.8004

BLITZ
 by TAKOM

Sturmgeschütz

www.migjimenez.com



Painting and Marking Guide

TAKOM Ref: 8004

Sturmgeschütz

 Großdeutschland Sturmgeschütz-Abteilung,
 Kursk, Russia,
 July 1943

A.MIG-0035

Dark Tracks

A.MIG-0033

Rubber & Tires

A.MIG-0045

Dark Metal

A.MIG-0018

Dry Mud

A.MIG-0032

Dark Bush

A.MIG-0096

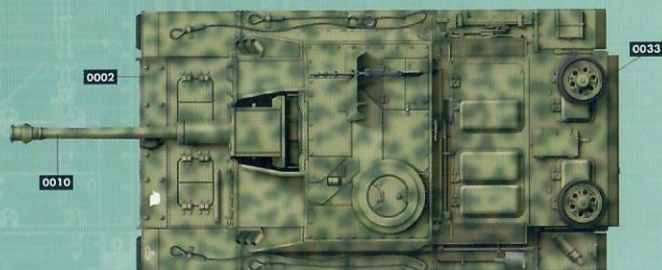
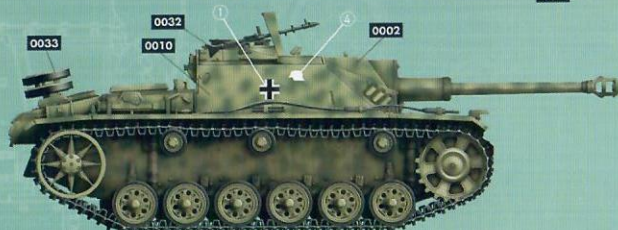
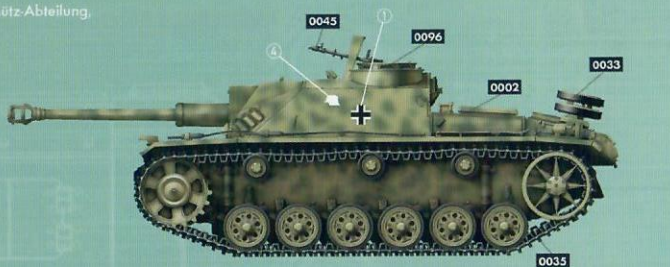
Capital Penetration

A.MIG-0010

MG, Turret, Gunmount

A.MIG-0002

All 1943 Penetration



WEATHERING STEPS WITH AMMO PRODUCTS

1 GENERAL WASH

 A.MIG-1000 Brown Wash
 for Dark Yellow

3 STREAKING

A.MIG-1203 Streaking Grime

5 RAINMARKS

A.MIG-1259 Streakingbrusher Dust

7 MUD

A.MIG-1702 Turned Earth

9 SPLASHES

A.MIG-1751 Dry Steppe

2 FILTER

A.MIG-1511 Browns for Dark Yellow

4 TRACKS WASH

A.MIG-1002 Tracks Wash

6 DUST

A.MIG-3010 Concrete

8 FUEL

A.MIG-1408 Fresh Engine Oil

10 OIL

A.MIG-1409 Fuel Stains

03.03.8004

BLITZ
 by TAKOM

Sturmgeschütz

www.migjimenex.com



Painting and Marking Guide

TAKOM Ref: 8004

Sturmgeschütz

 Sturmgeschütz-Abteilung 189,
 Orel, Russia,
 May 1943

A.MIG-0035

Dark Tracks

A.MIG-0033

Rubber & Tires

A.MIG-0045

Light Mud

A.MIG-0037

Tread Stripes

A.MIG-0002

Slate Black

A.MIG-0096

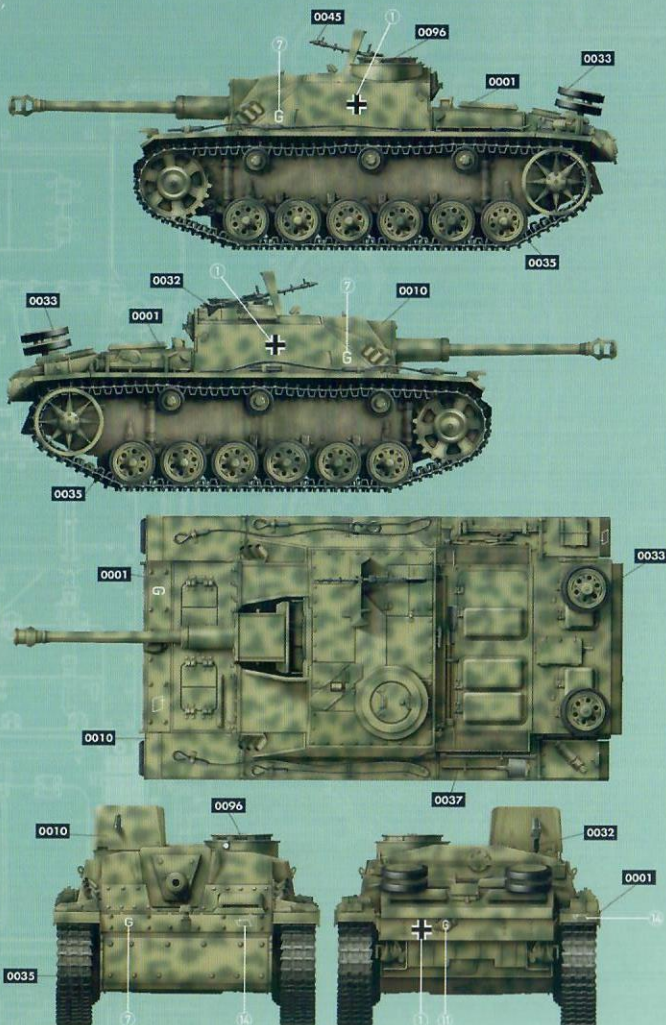
Crystal-Perfection Primer

A.MIG-0010

A.MIG-1000 Brown Wash
for Dark Yellow

A.MIG-0001

A.MIG-1511 Brown for Dark Yellow



WEATHERING STEPS WITH AMMO PRODUCTS

1 GENERAL WASH

 A.MIG-1000 Brown Wash
 for Dark Yellow

2 FILTER

A.MIG-1511 Brown for Dark Yellow

3 STREAKING

A.MIG-1253 Streaking/brusher Grime

4 TRACKS WASH

A.MIG-1002 Tracks Wash

5 RUST

A.MIG-1204 Streaking Rust Effects

6 DUST

A.MIG-3004 Europe Earth

7 MUD

A.MIG-1703 Moist Ground

8 FUEL

A.MIG-1408 Fresh Engine Oil

9 SPLASHES

A.MIG-1752 Loose Ground

10 OIL

A.MIG-1409 Fuel Stains