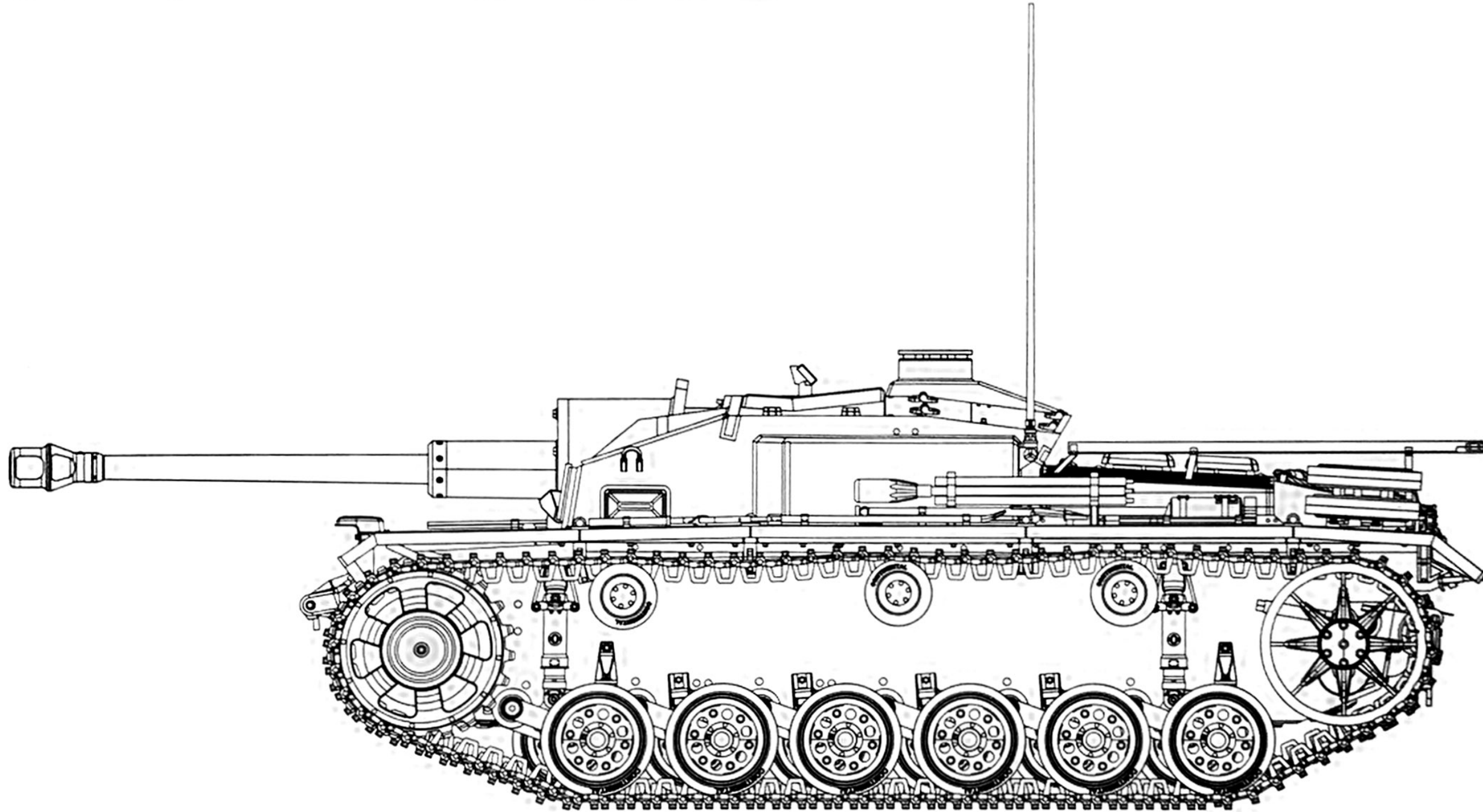


StuG III Ausf. F **LATE PRODUCTION** w/7.5cm L48



Based on the obsolete Panzer III, the StuG III Ausf. F elevated the Sturmgeschütz III family from infantry support vehicle to tank destroyer. The main improvement to achieve this role over previous variants was a more powerful main gun mounted from June 1942, the longer 7.5cm StuK 40 L/48 manufactured by Rheinmetall-Borsig. This gun fired armor-piercing Panzergranat-Patrone 39, which penetrated up to 91mm of armor at optimal ranges. For increased protection, the frontal armor thickness was increased from 50mm to 80mm, and an exhaust fan was mounted in the roof to vent gun fumes from the fighting compartment and increase the rate of fire. Some 366 vehicles were produced between March – September 1942.

03.02.8015

READ BEFORE ASSEMBLY

CAUTION

- Read carefully and fully understand the instructions before commencing assembly. A supervising adult should also read the instructions if a child assembles the model.
- When assembling this kit, tools including knives used. Extra care should be taken to avoid personal injury.
- Keep out of reach of small children. Children must not be allowed to suck any part, or pull vinyl bag over their heads.



Be Careful



Optional



Drill



Remove



Fill Holes



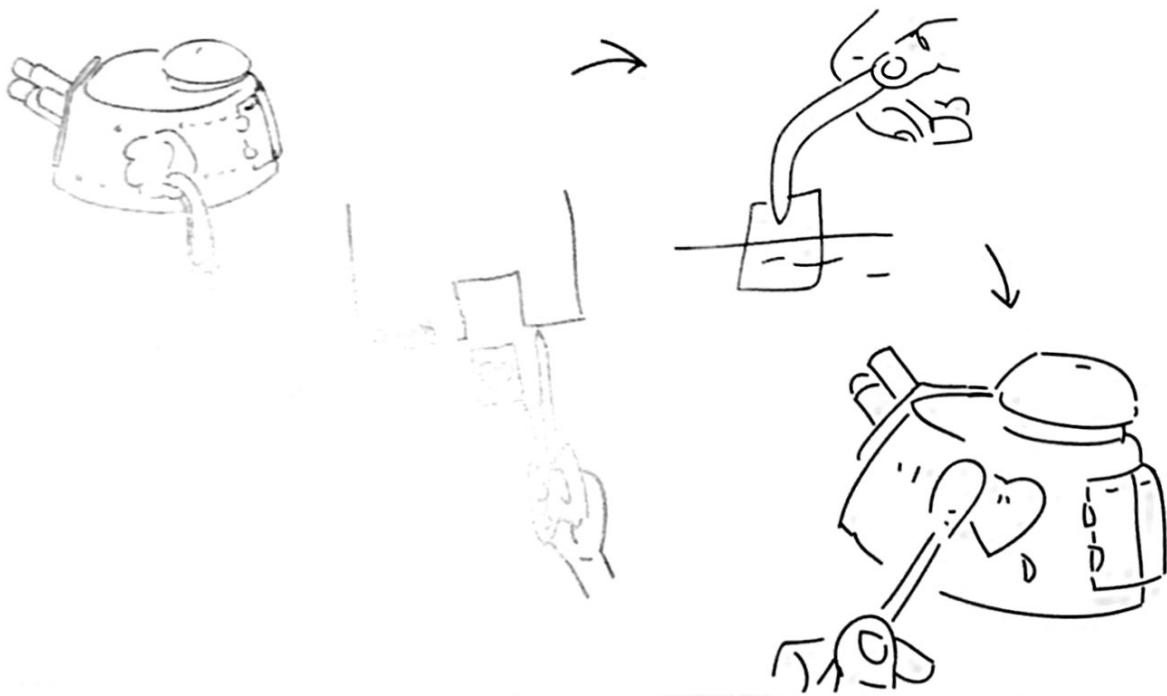
Do Not Cement



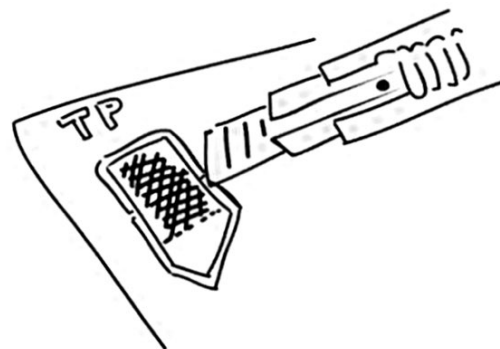
Instant Glue for Metal

APPLYING DECALS

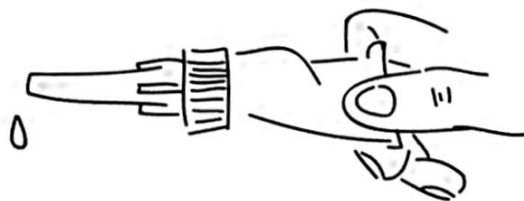
1. Clean the model surface with a wet cloth.
2. Cut out each decal design from sheet, and dip it in tepid water for 15~20 sec.
3. Hold the backing sheet edge and slide decal onto the model.
4. Move decal into position by wetting decal with finger.
5. Press decal gently down with a soft cloth until excess water and air bubbles are gone.



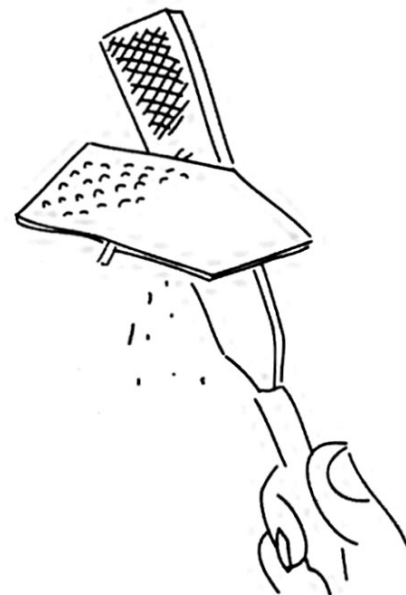
REMOVING PE



Be careful not to hurt when removing PE parts.

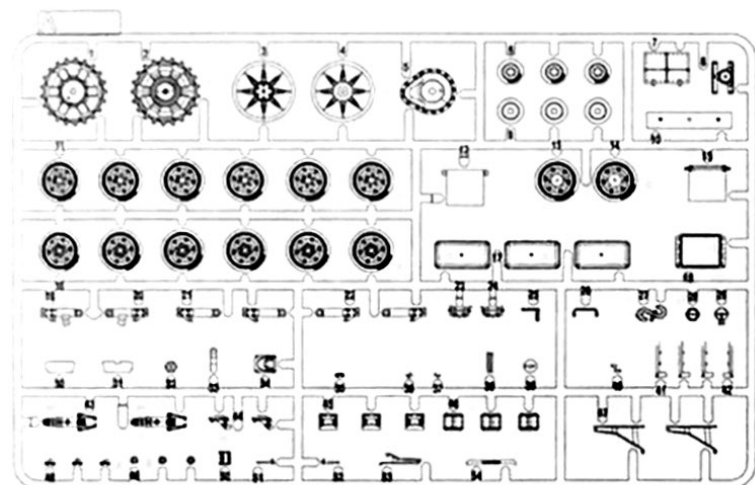


Secure using instant glue (not included).

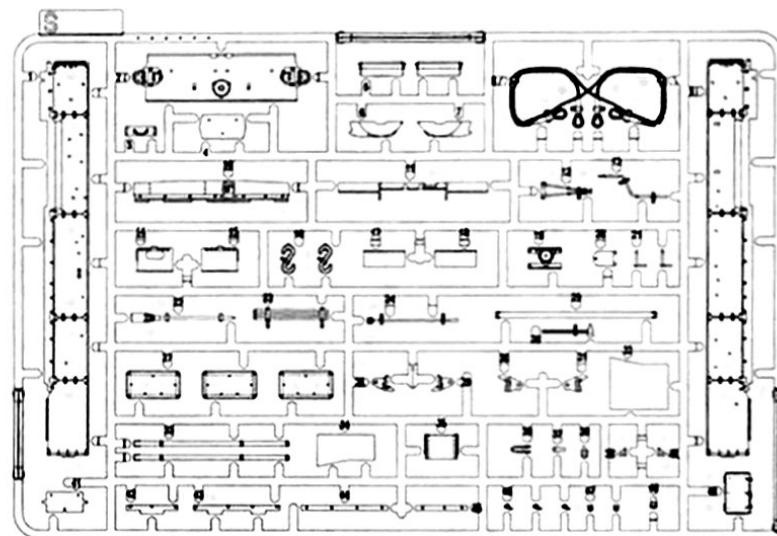
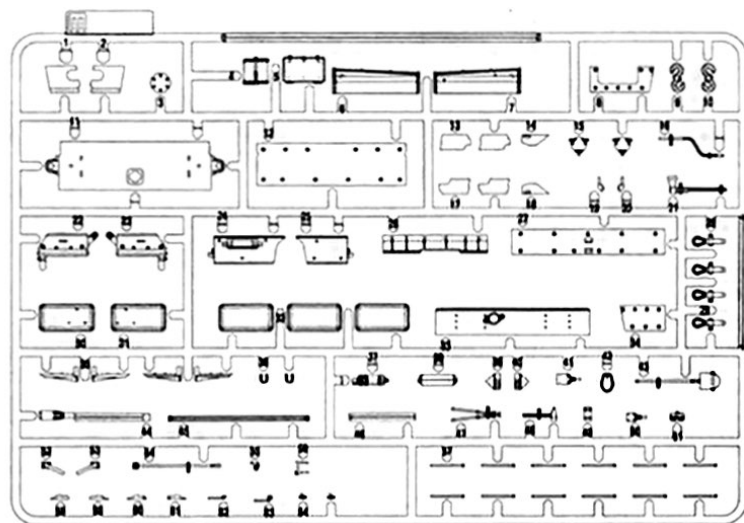


Finish using file.

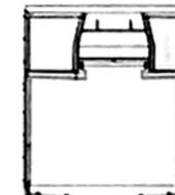
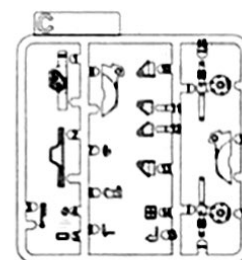
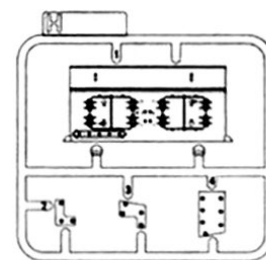
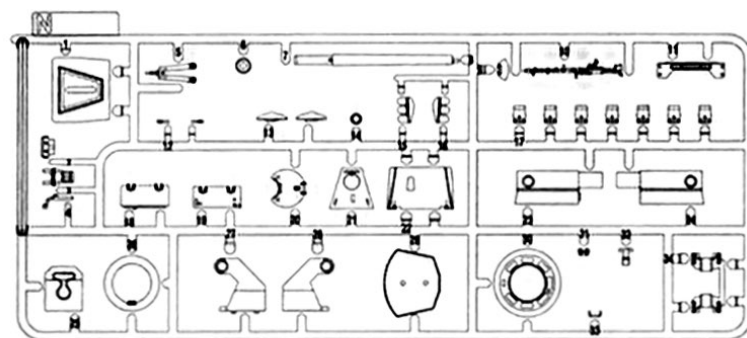
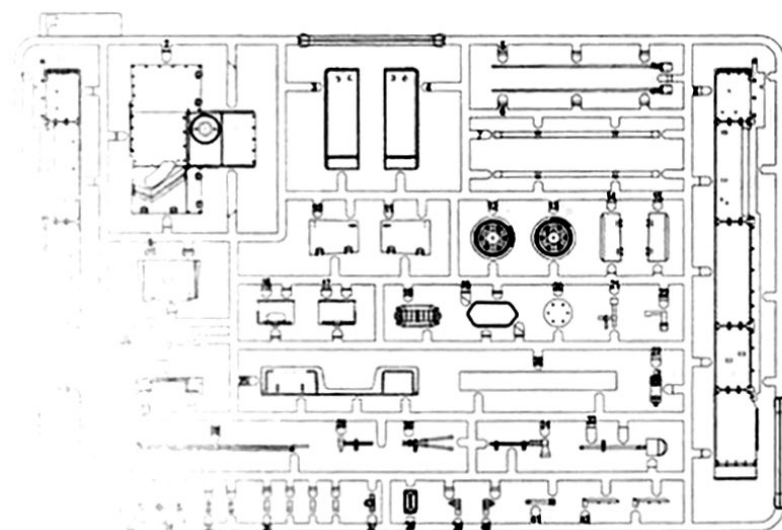
PARTS



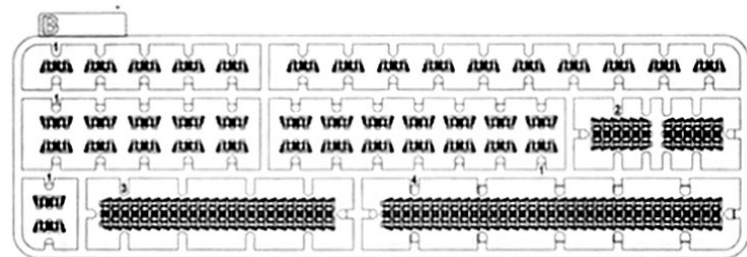
X2



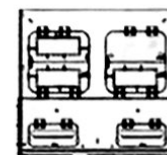
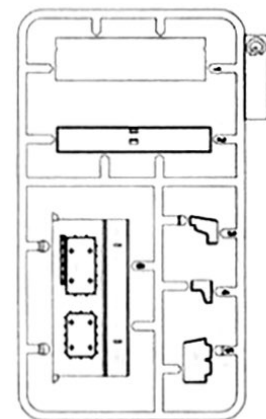
Lower Hull



K



X2



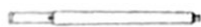
T



TP

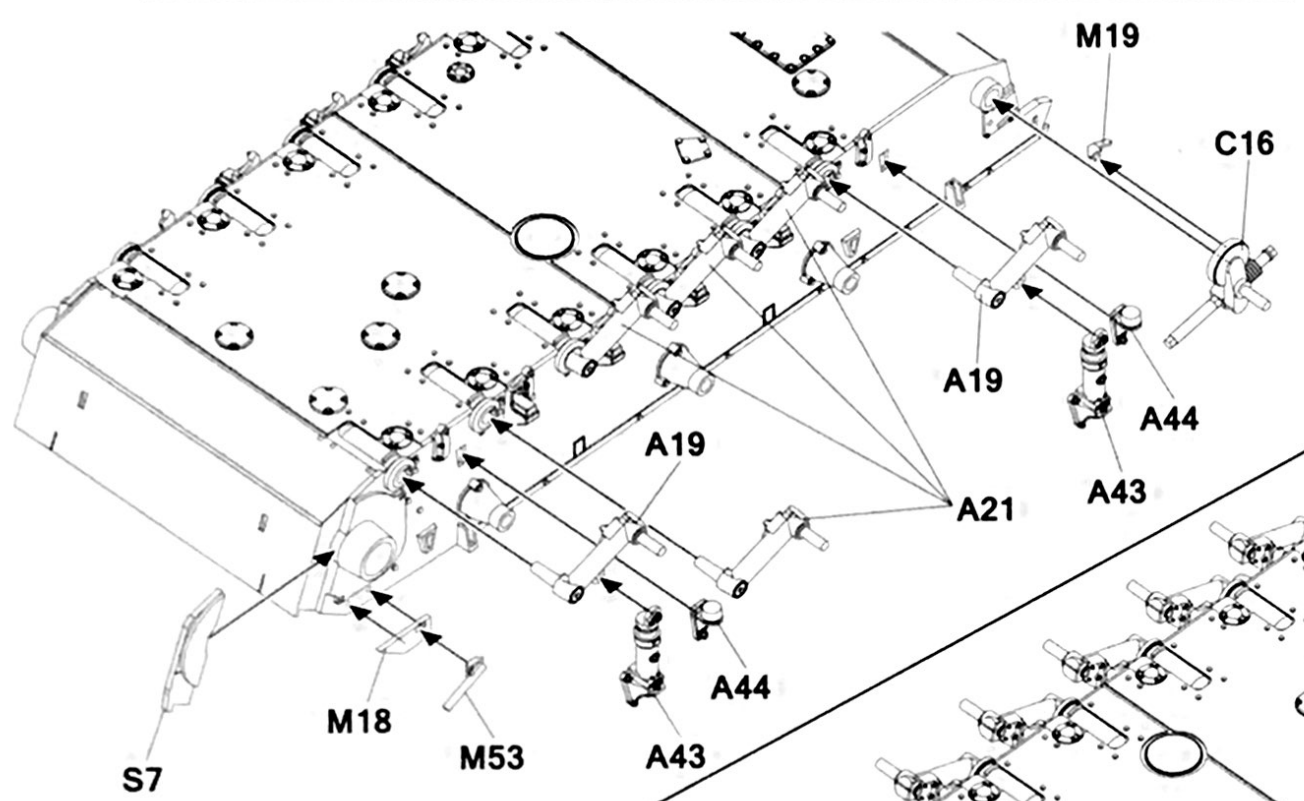
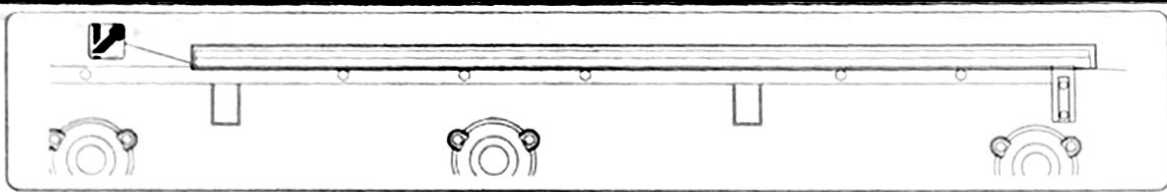


Decal

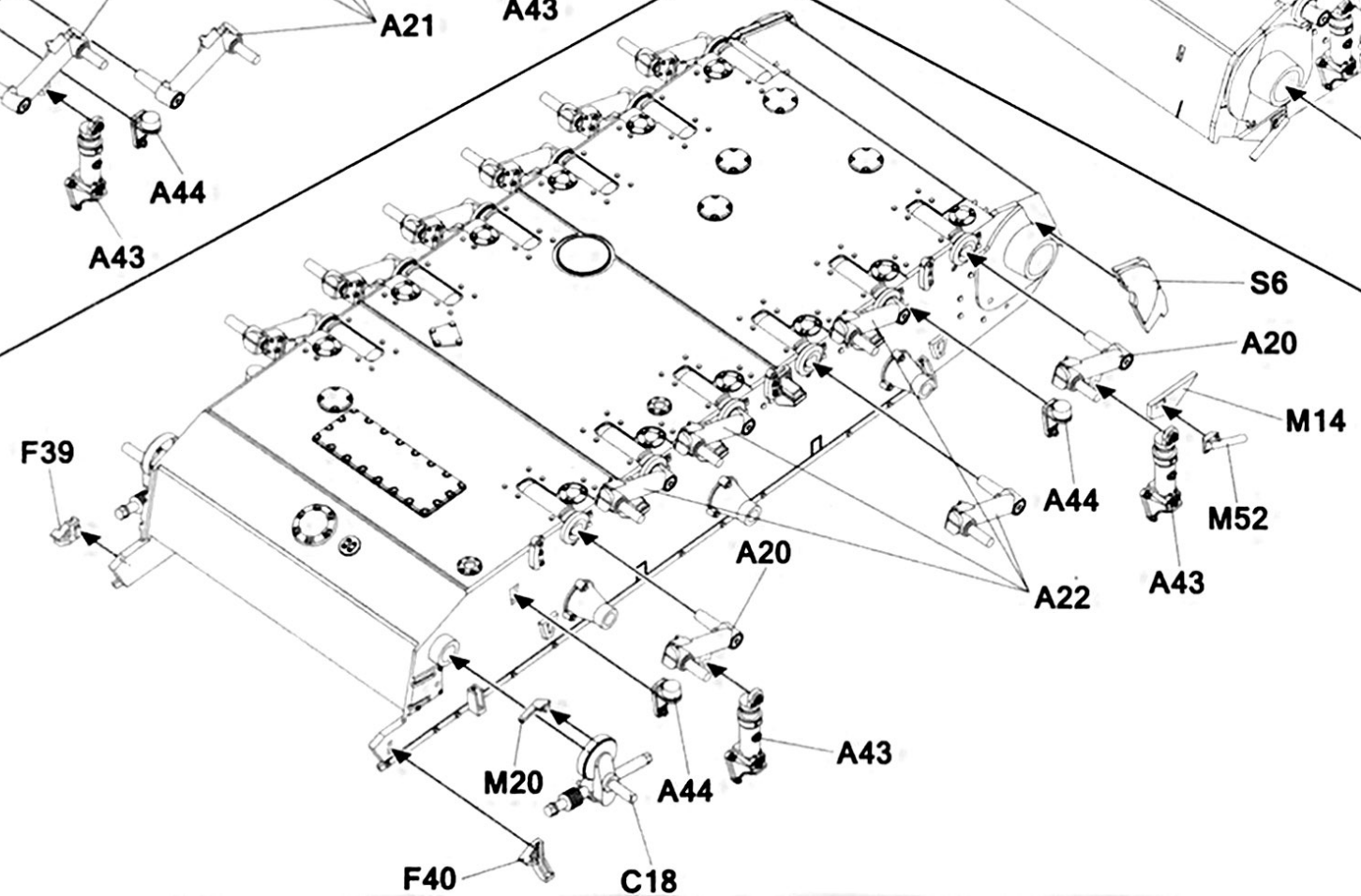


Metal Barrel

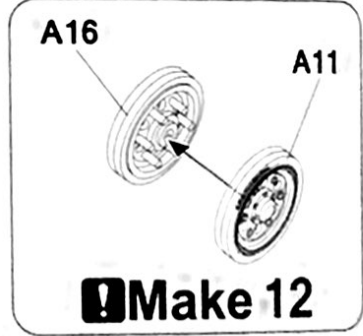
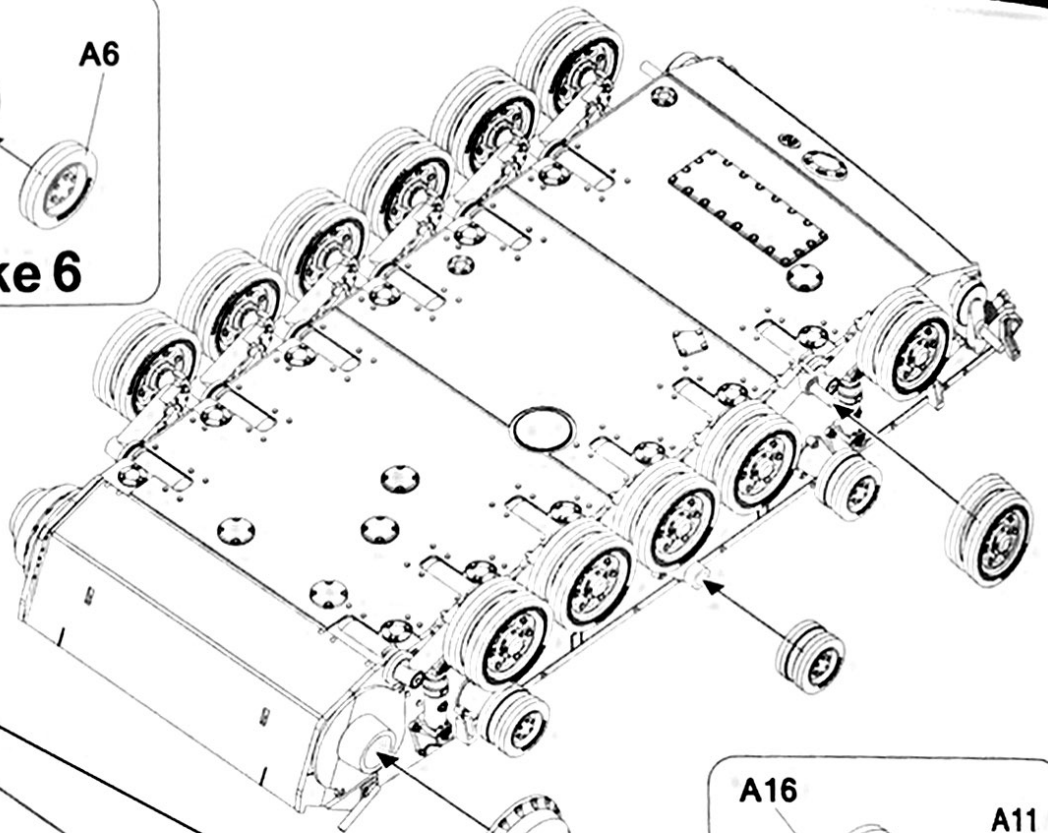
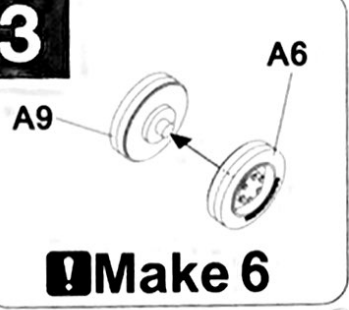
1



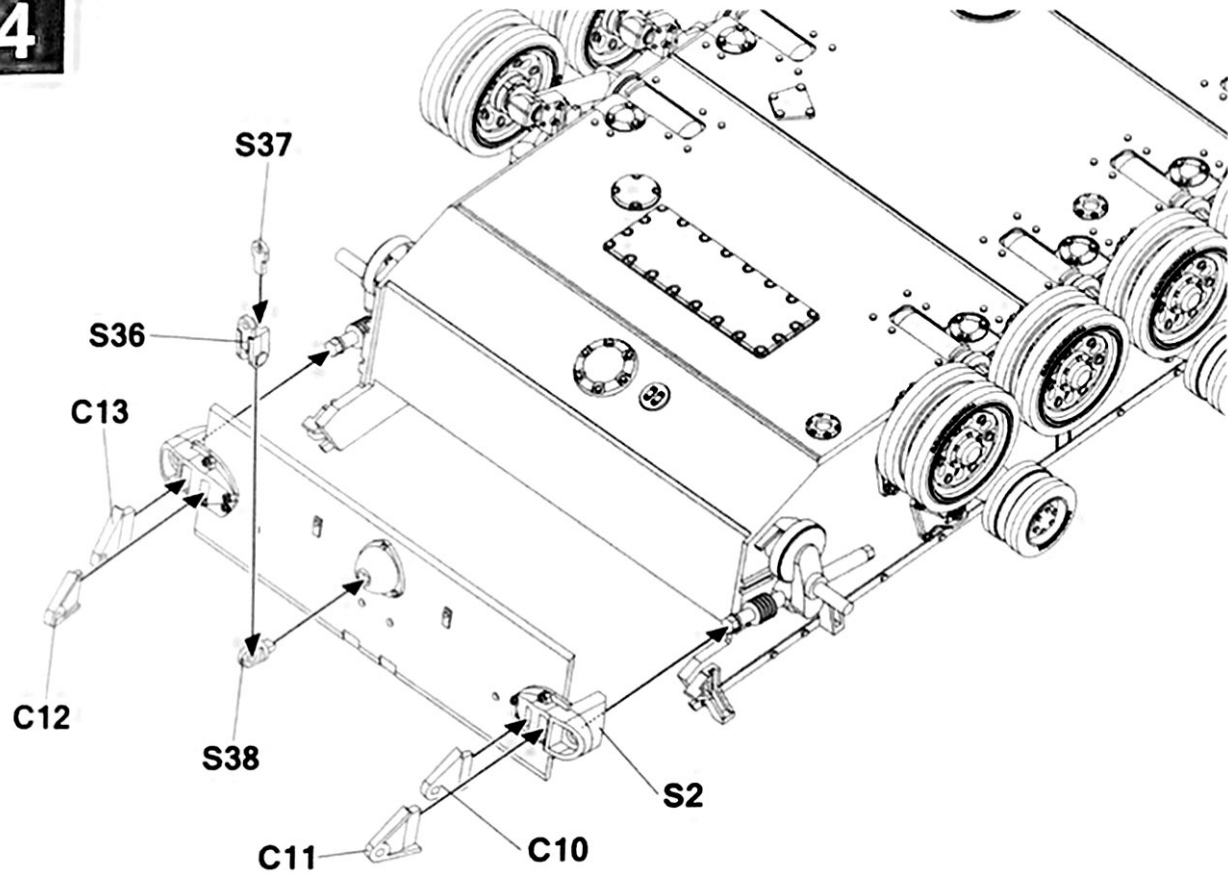
2



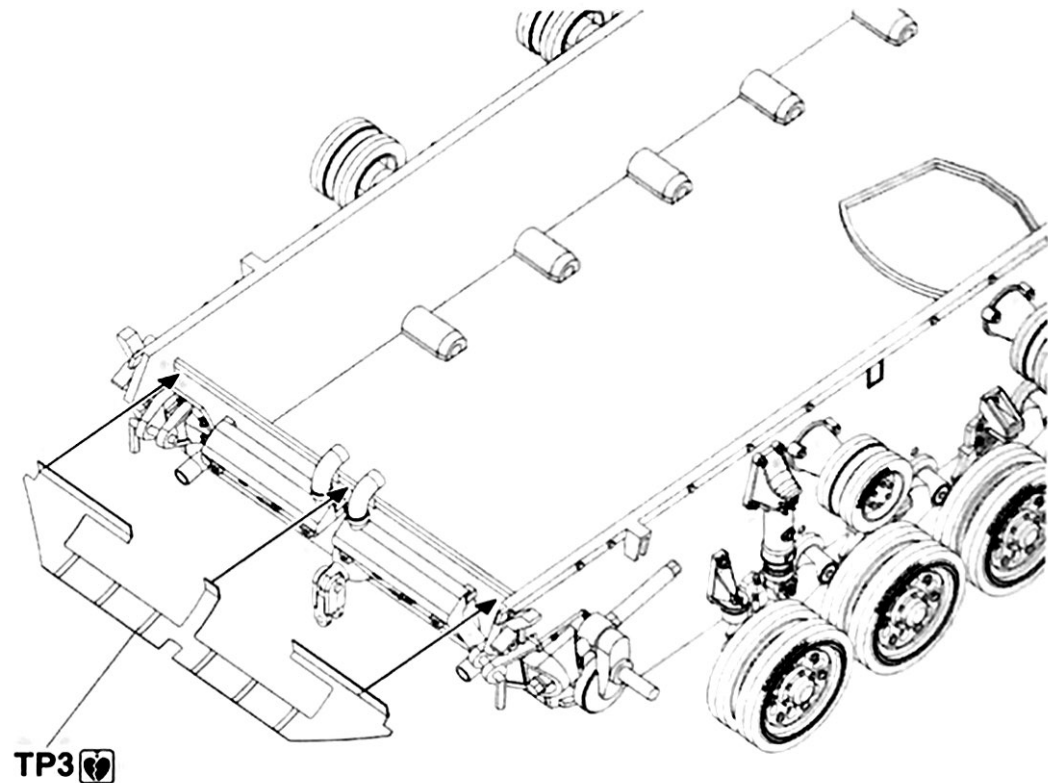
3



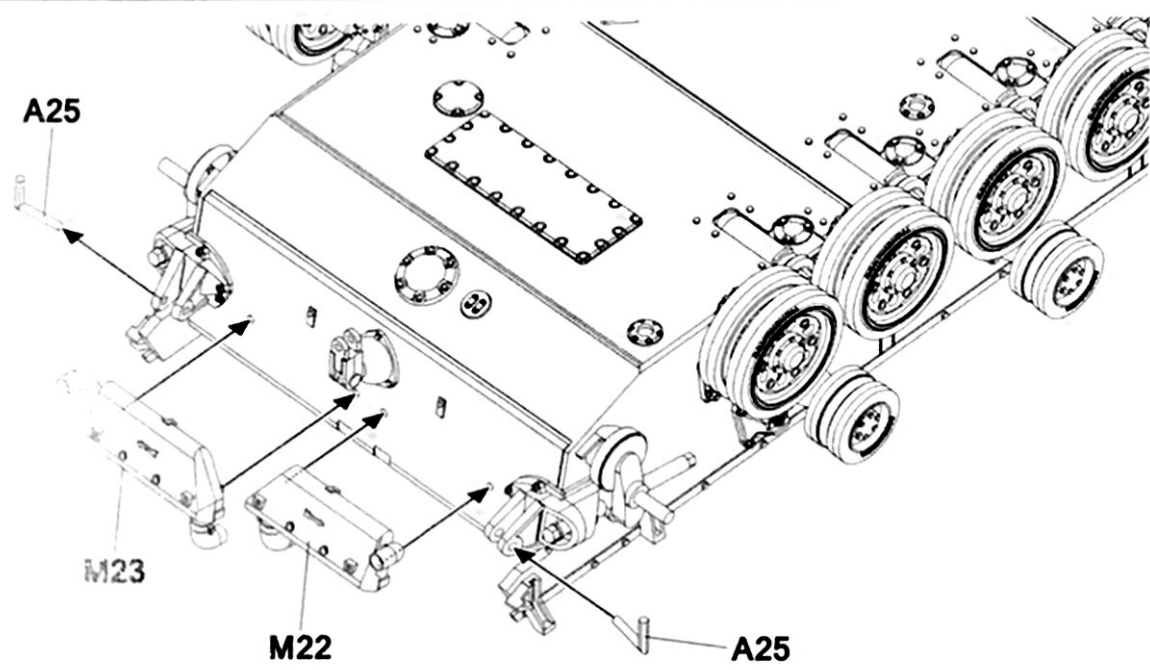
4



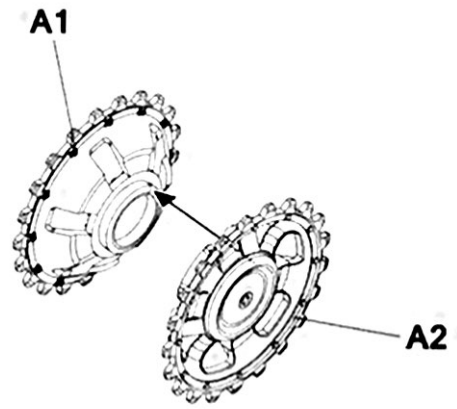
6



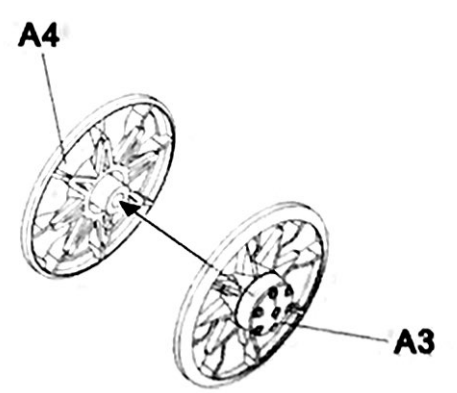
5



7

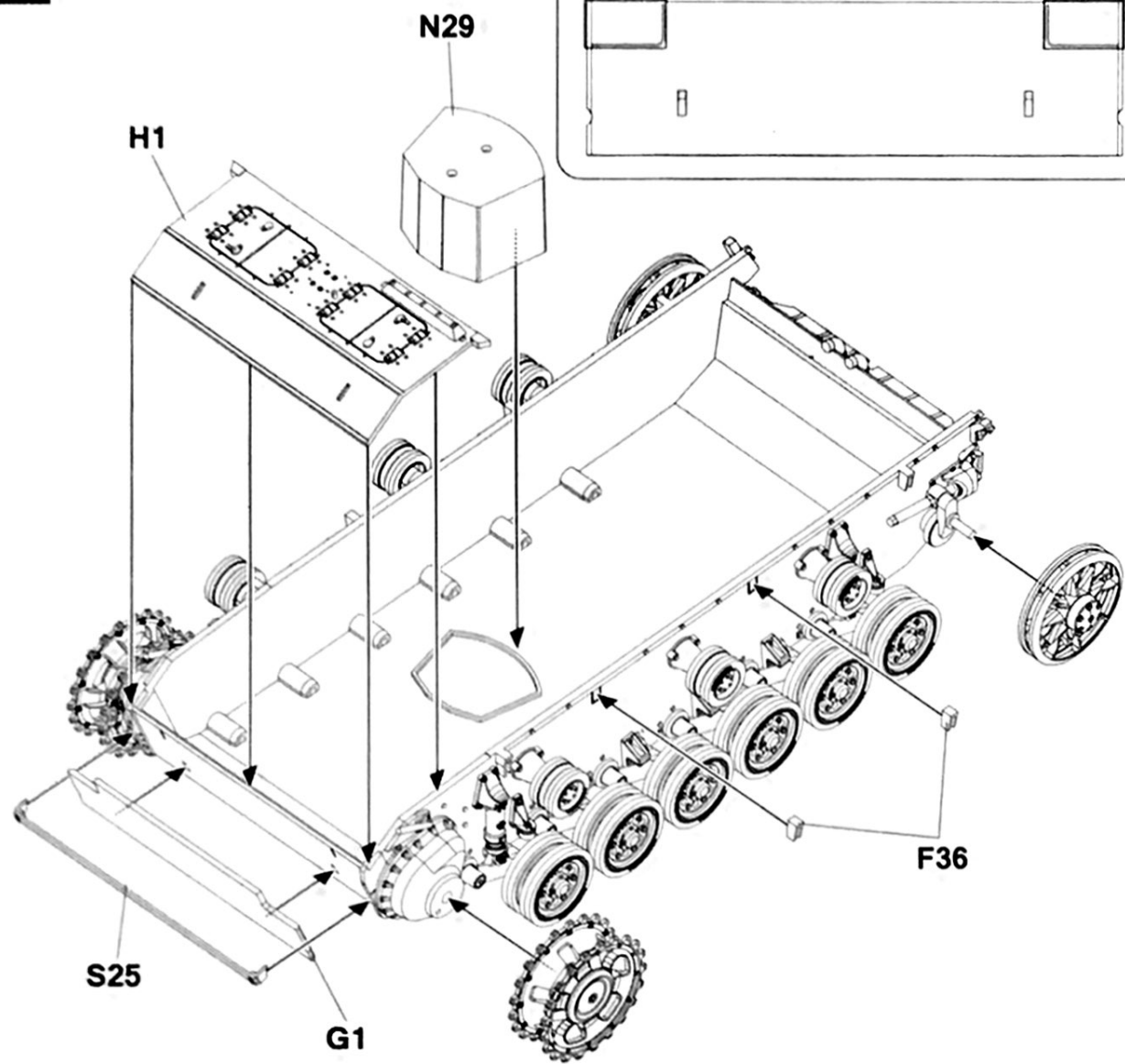


Make 2

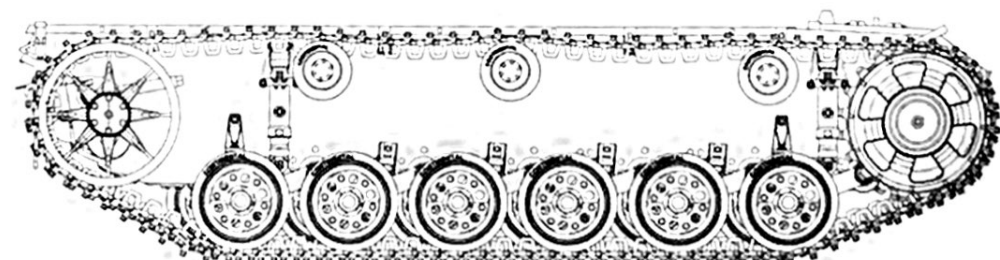
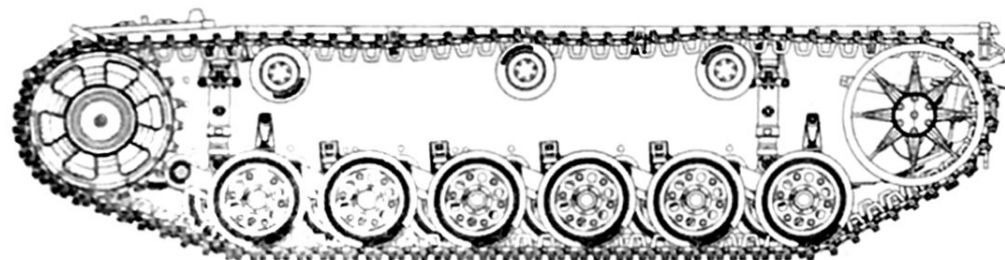
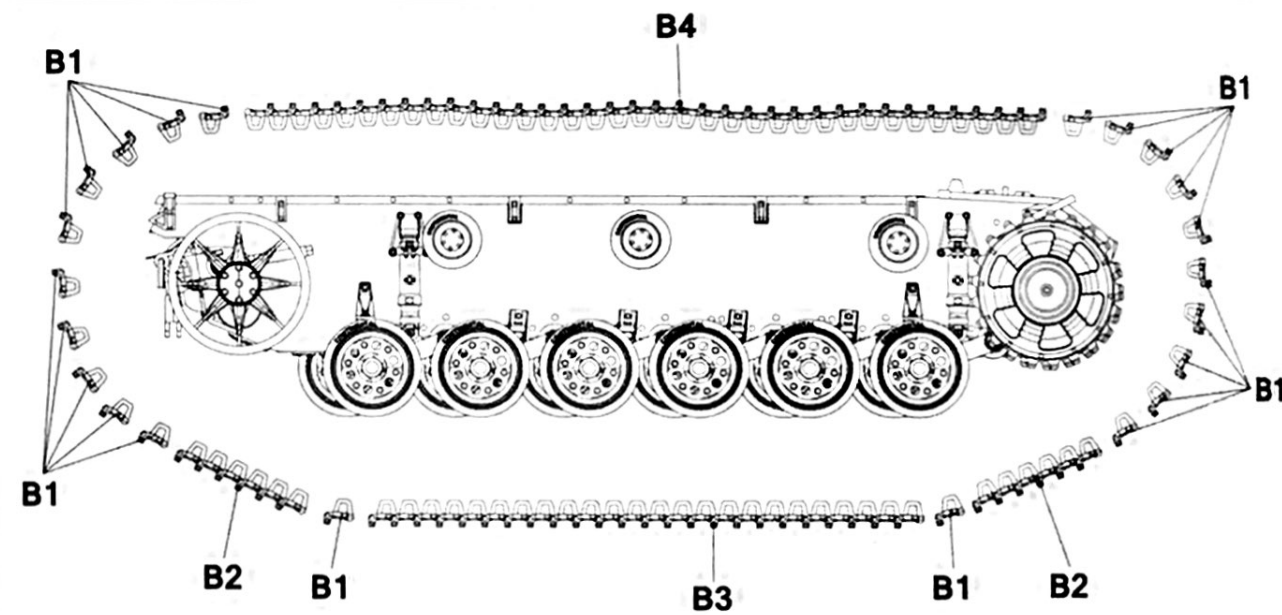
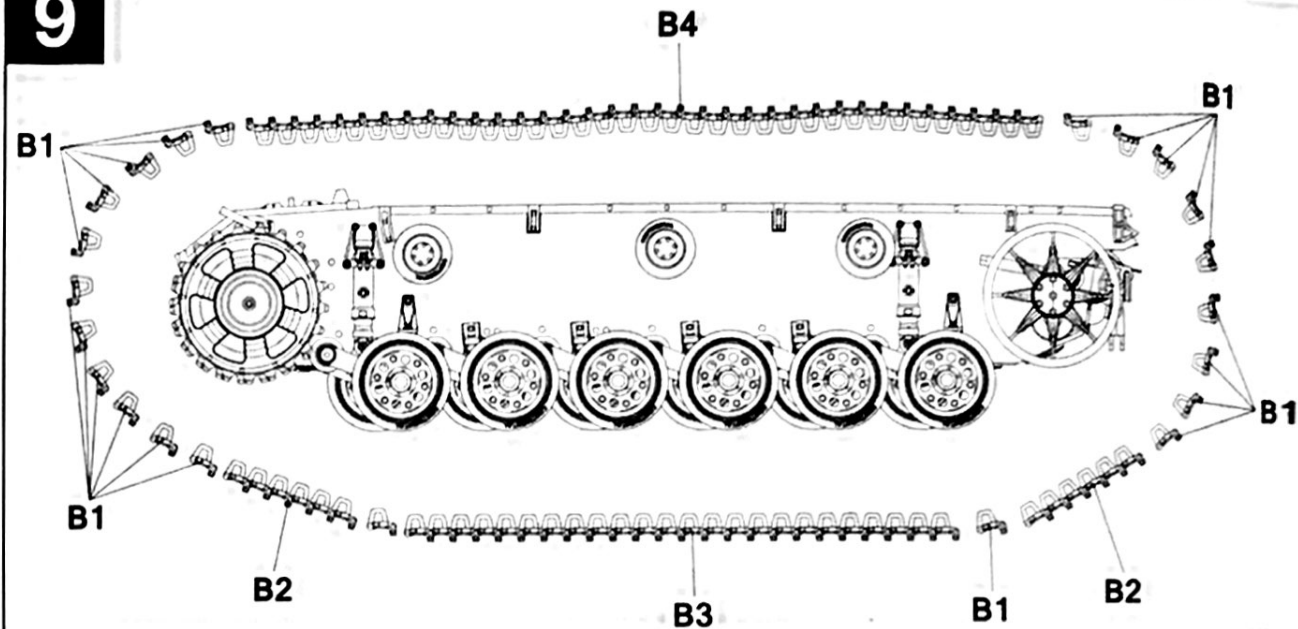


Make 2

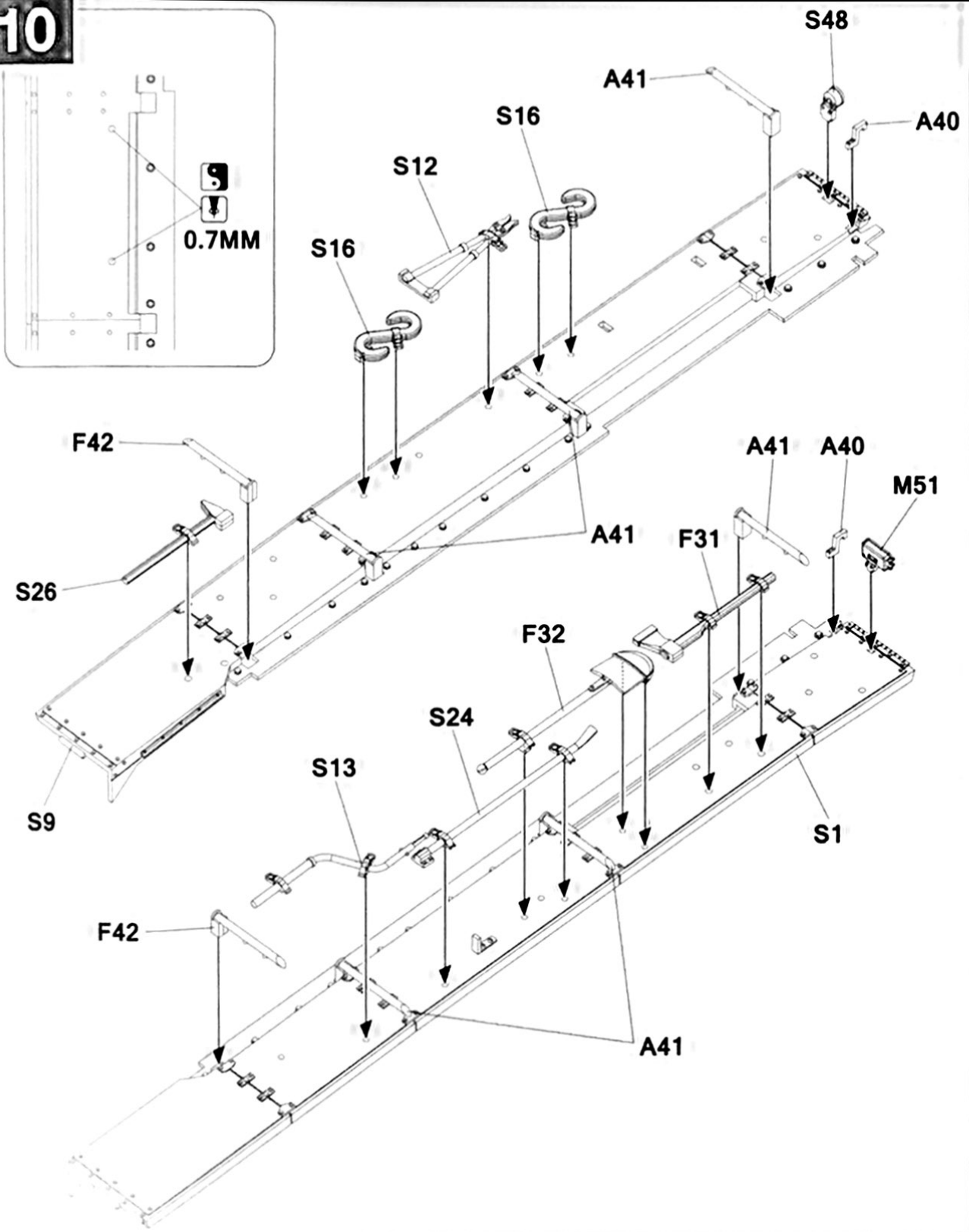
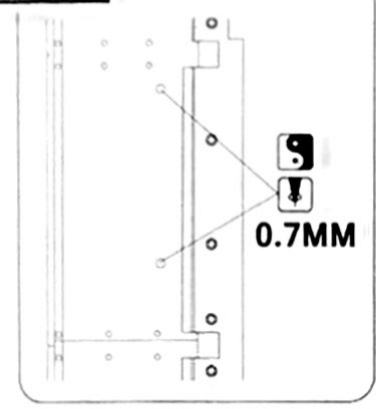
8



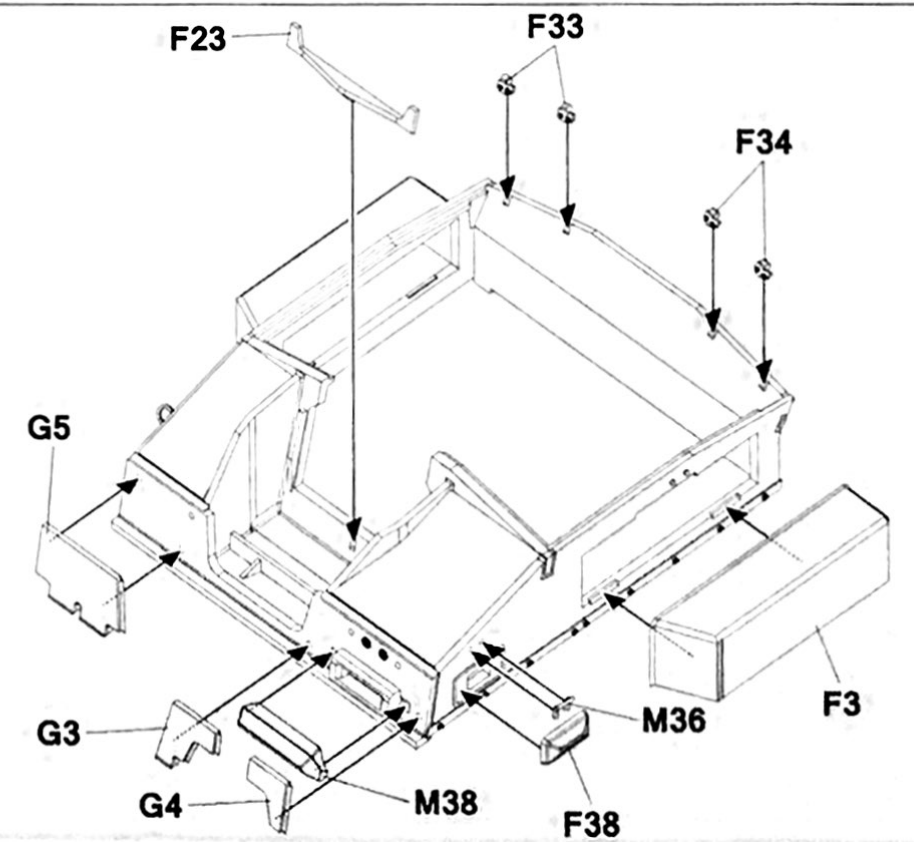
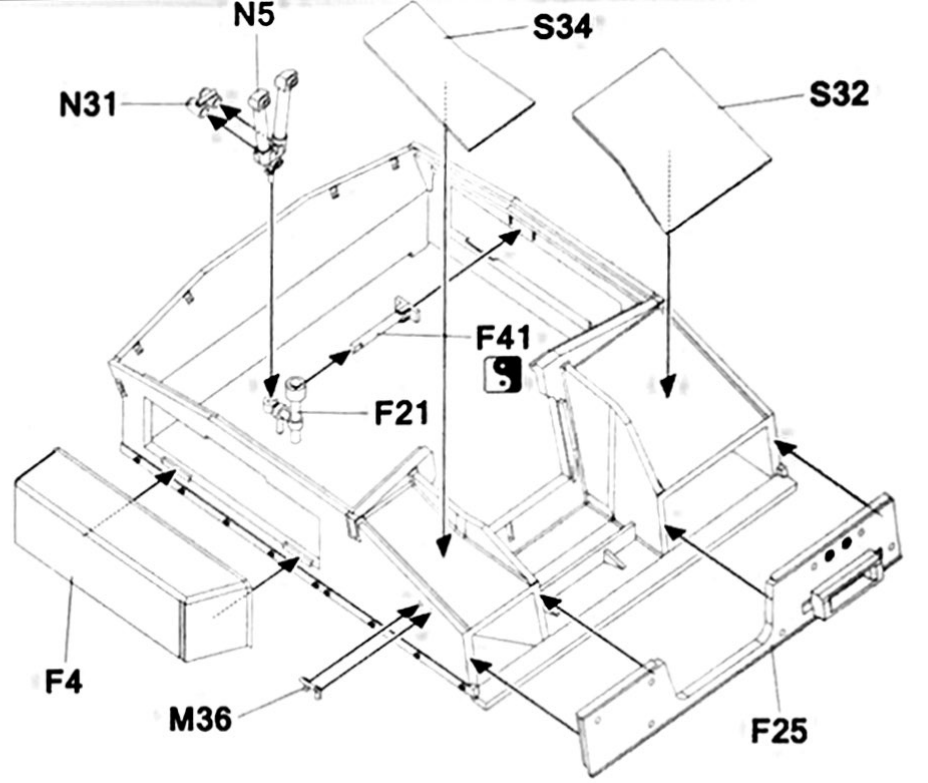
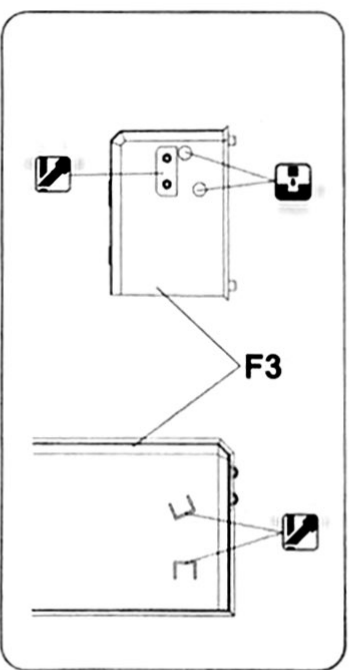
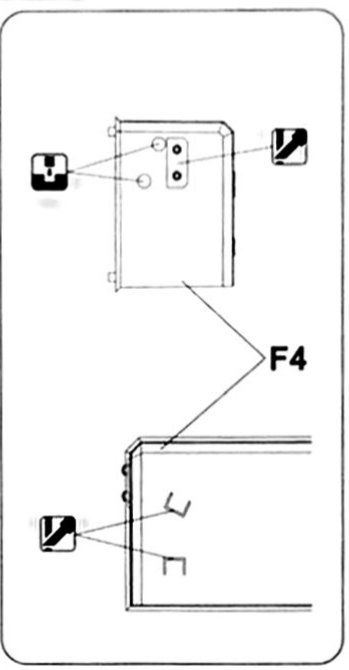
9

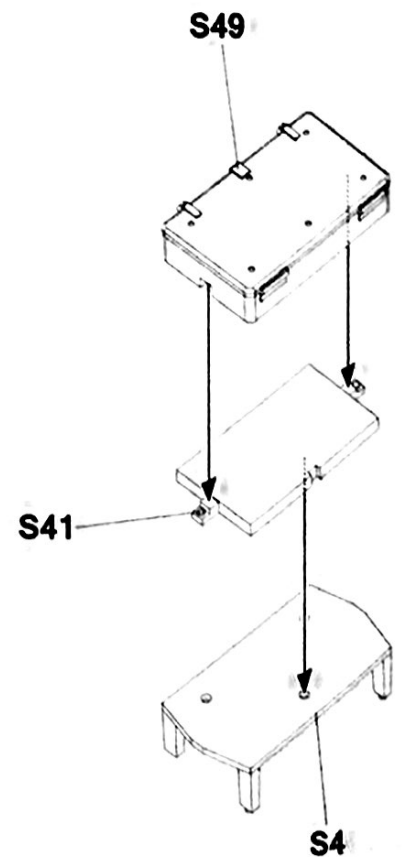
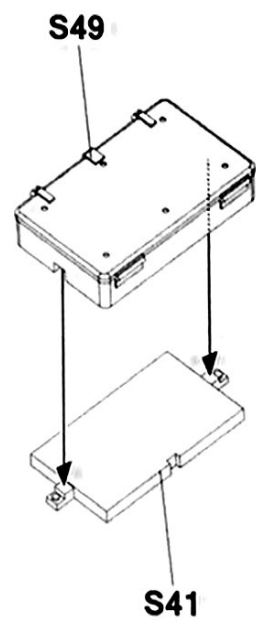
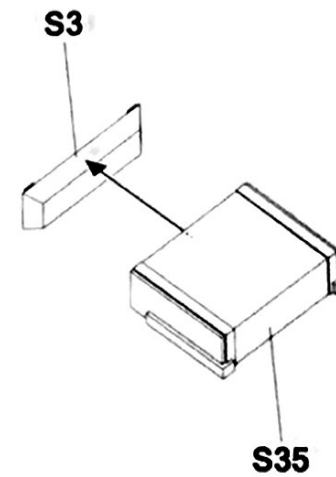
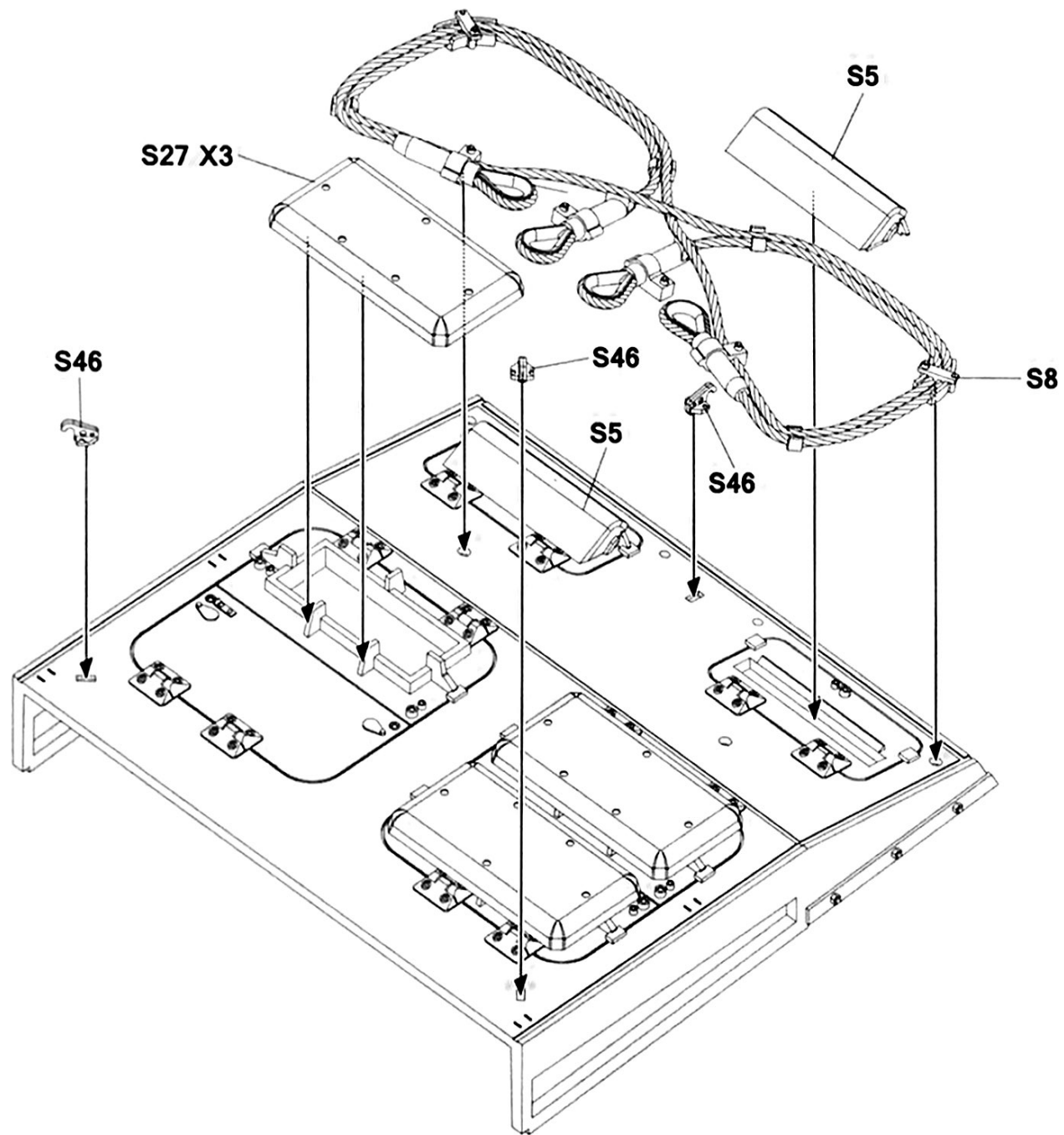


10

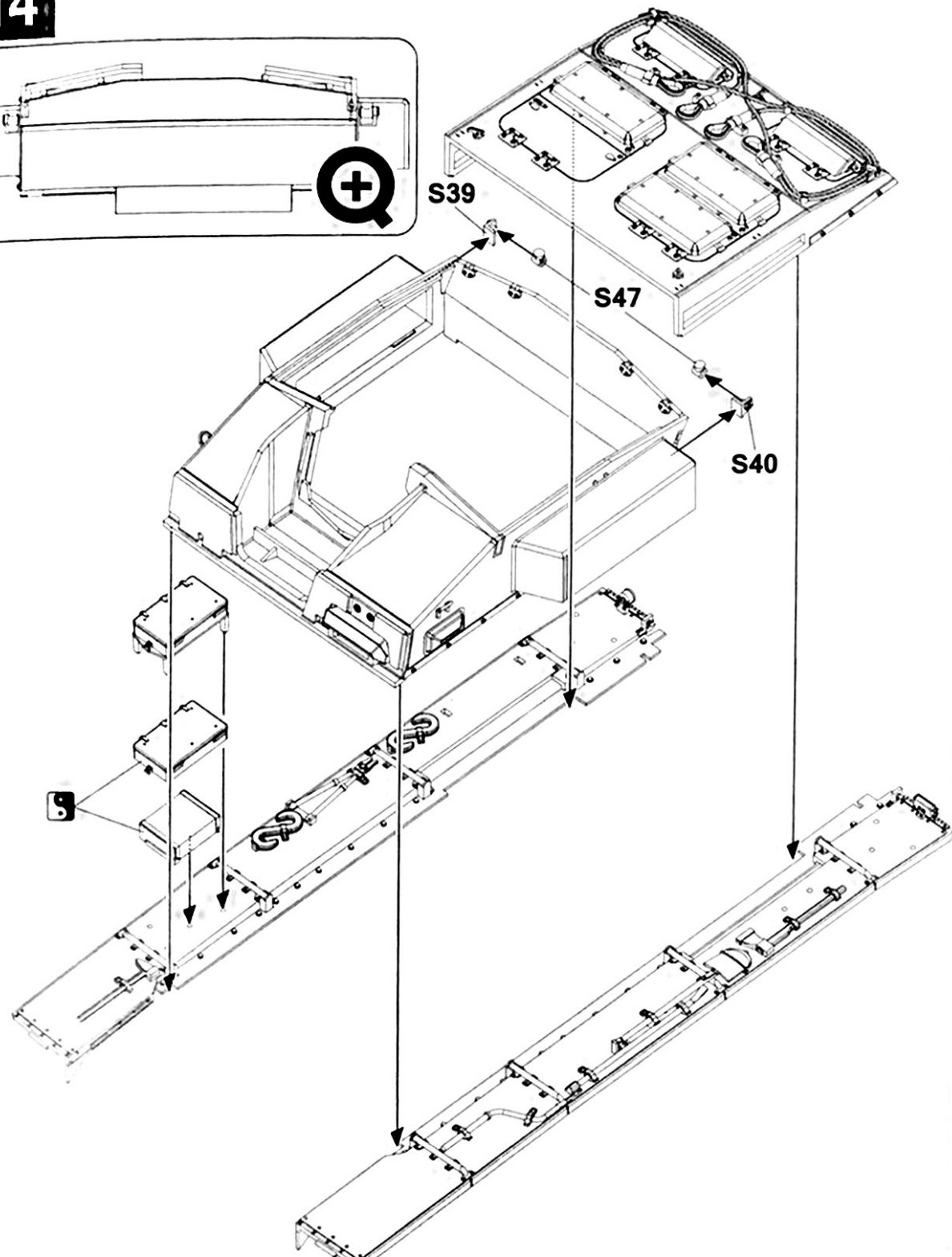
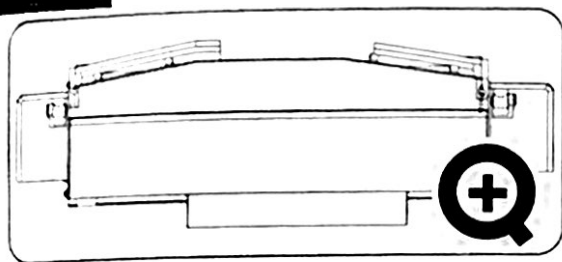


11

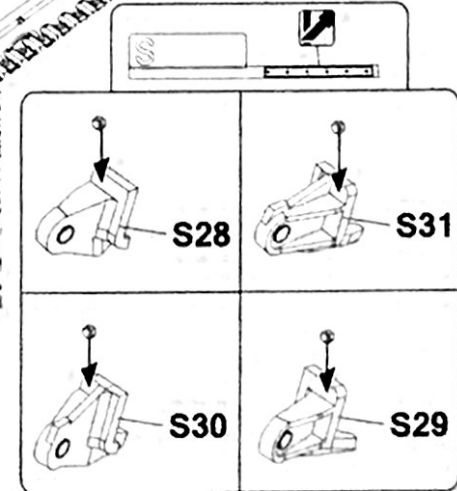
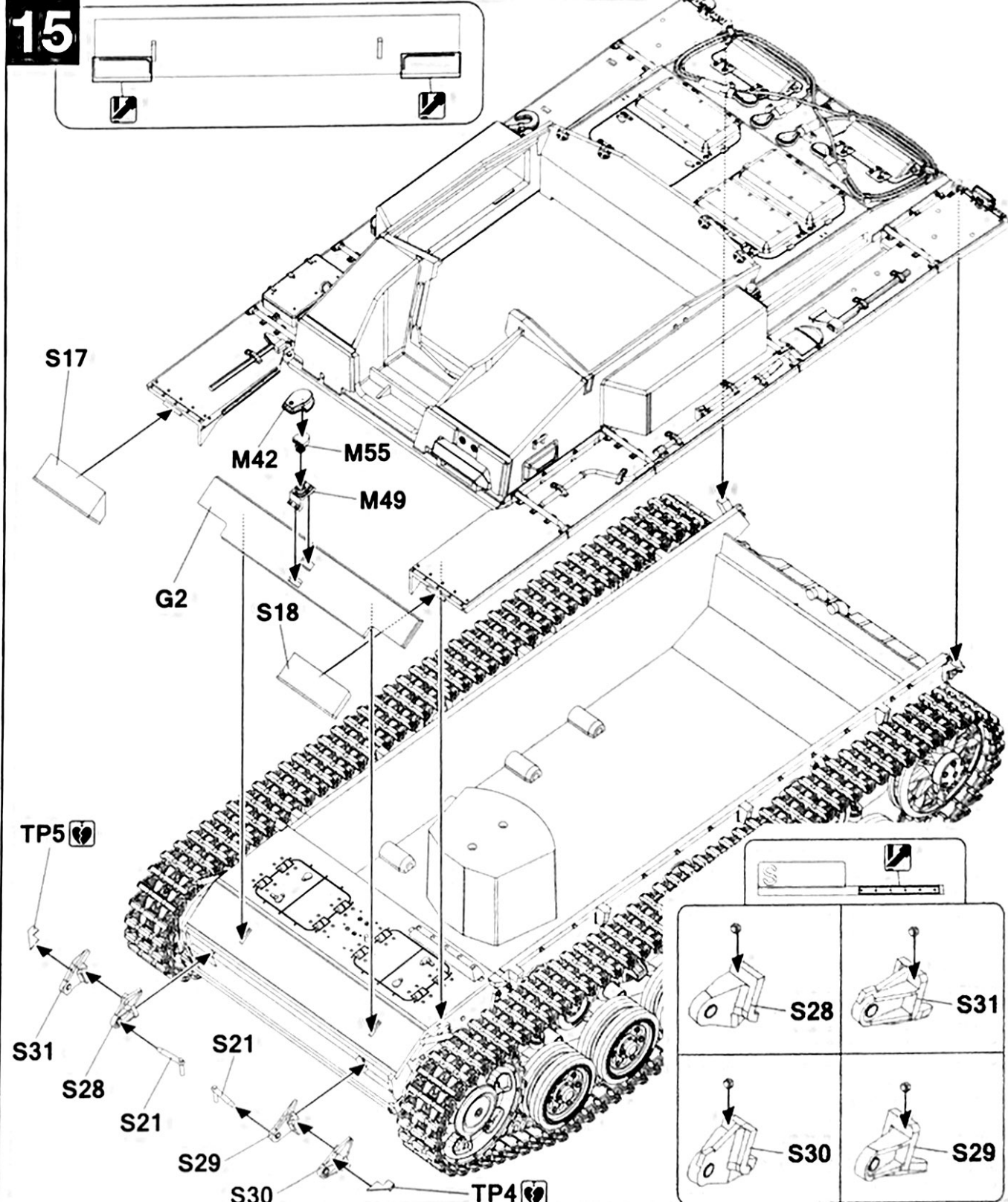
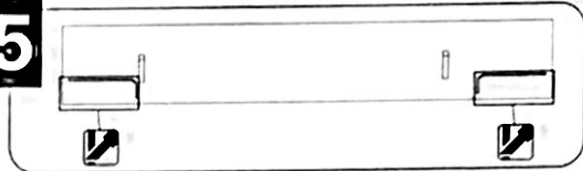




14



15



16

TP14

M6

S23

M6

S22

F27

S45

S44

S43

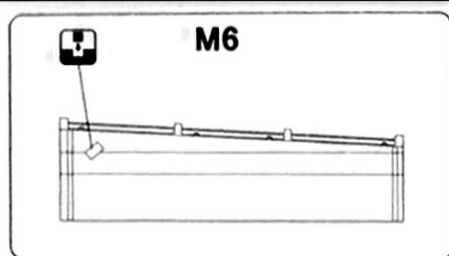
S42

S10

S11

S20

TP7

**17**

M7

TP15

M7

TP8

F16

F17

S33

TP11

TP1

TP13

TP9

S15

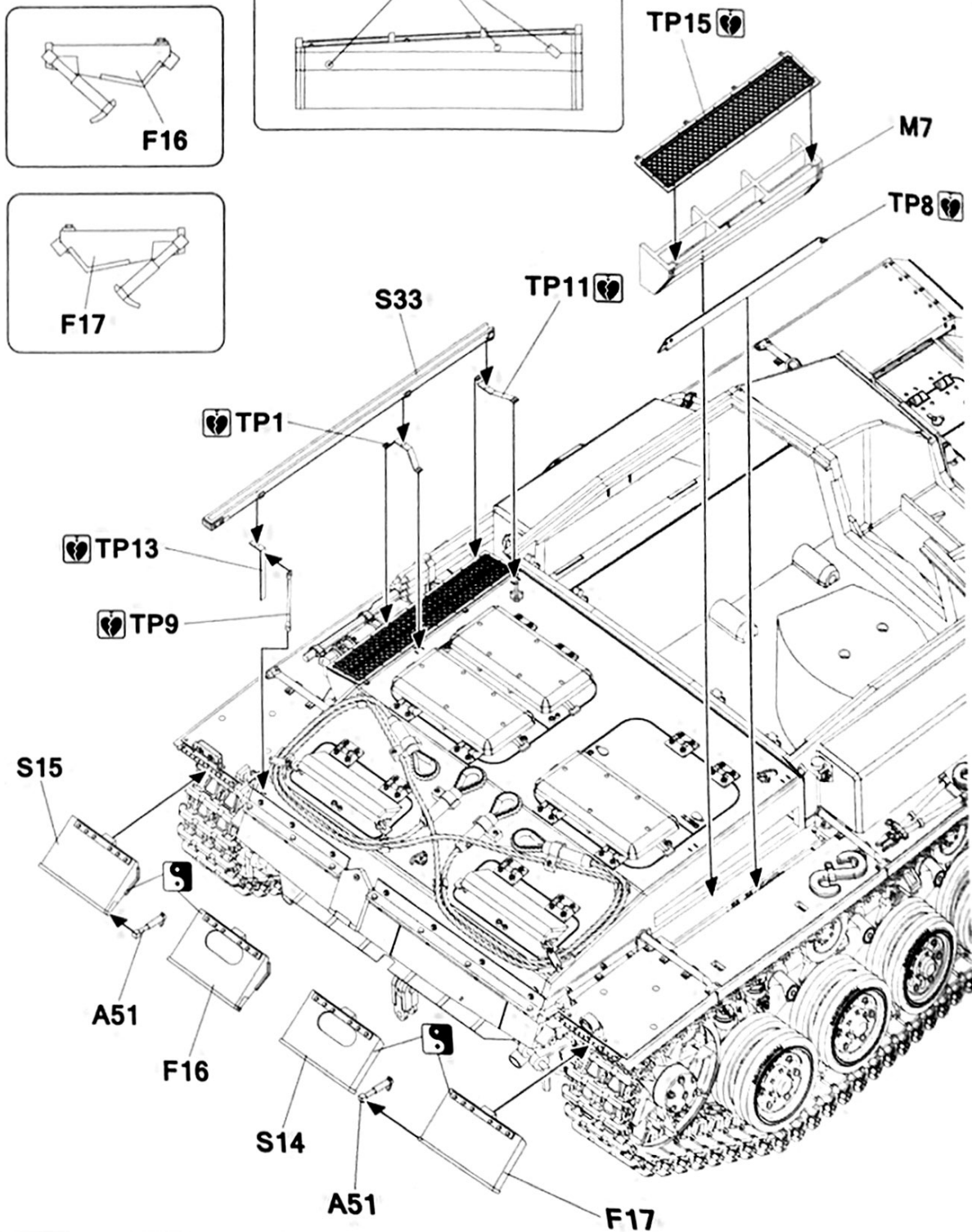
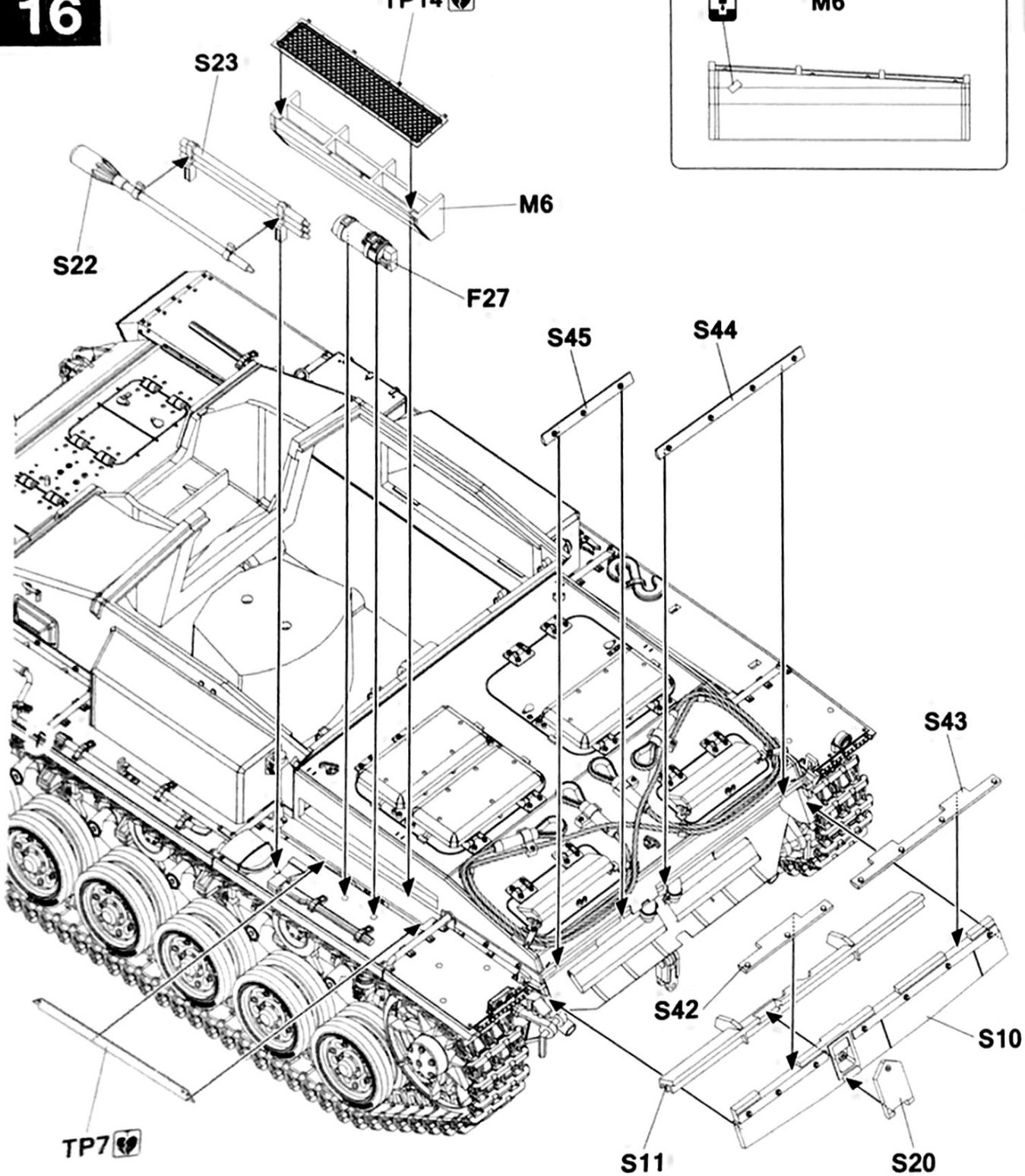
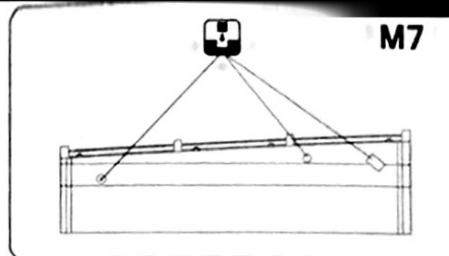
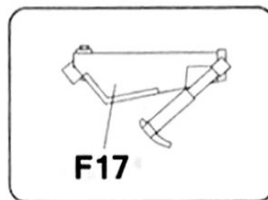
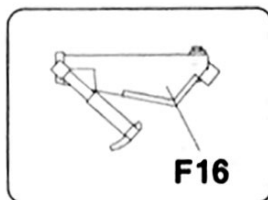
A51

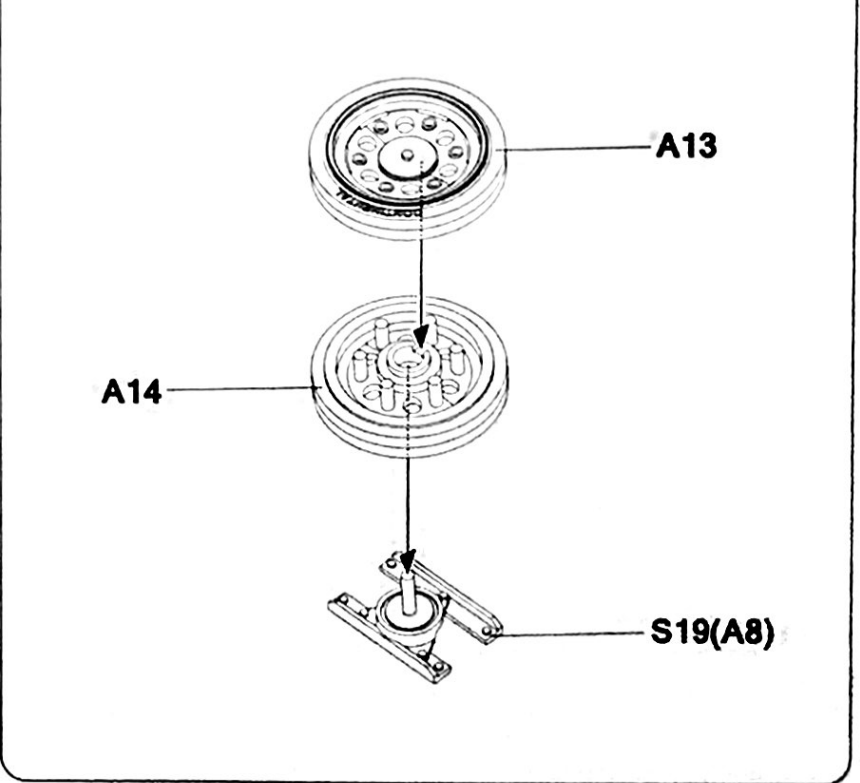
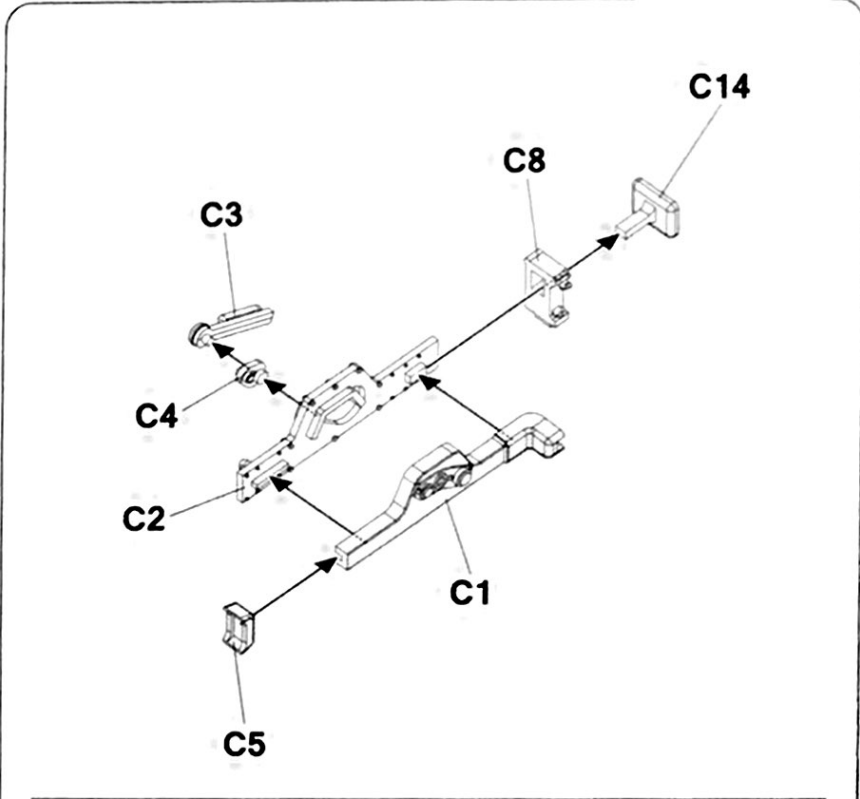
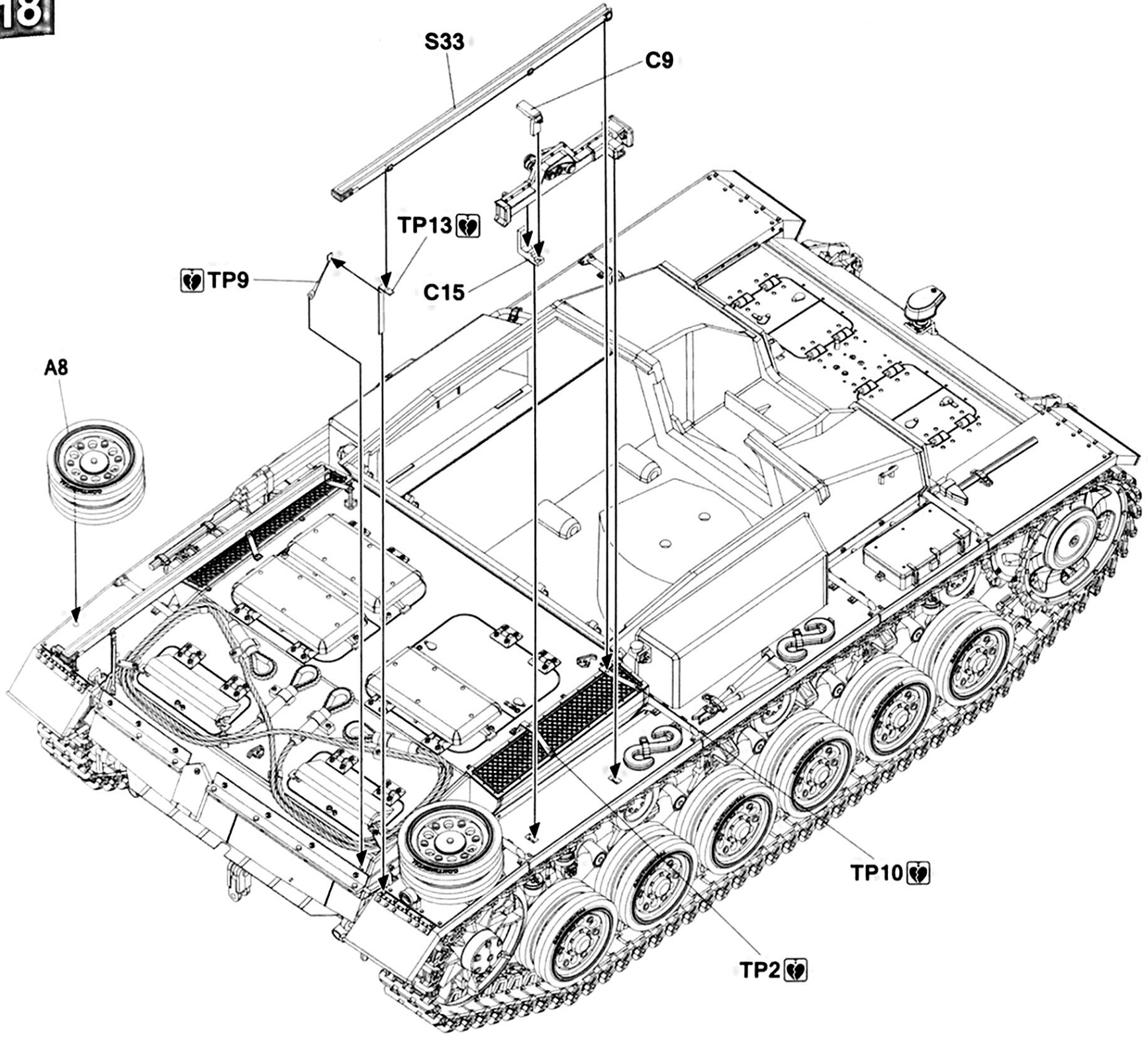
F16

S14

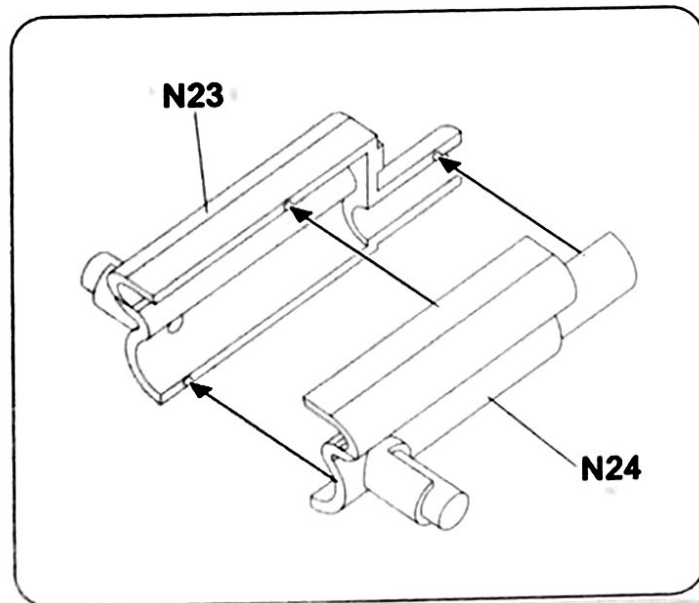
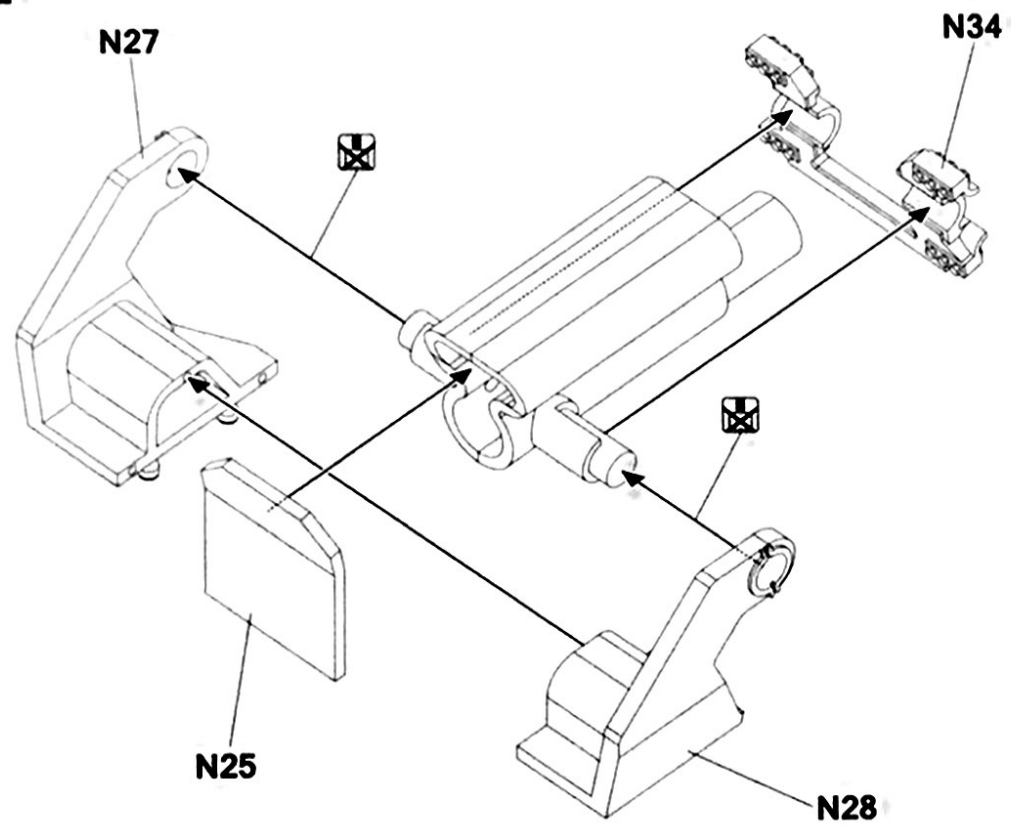
A51

F17

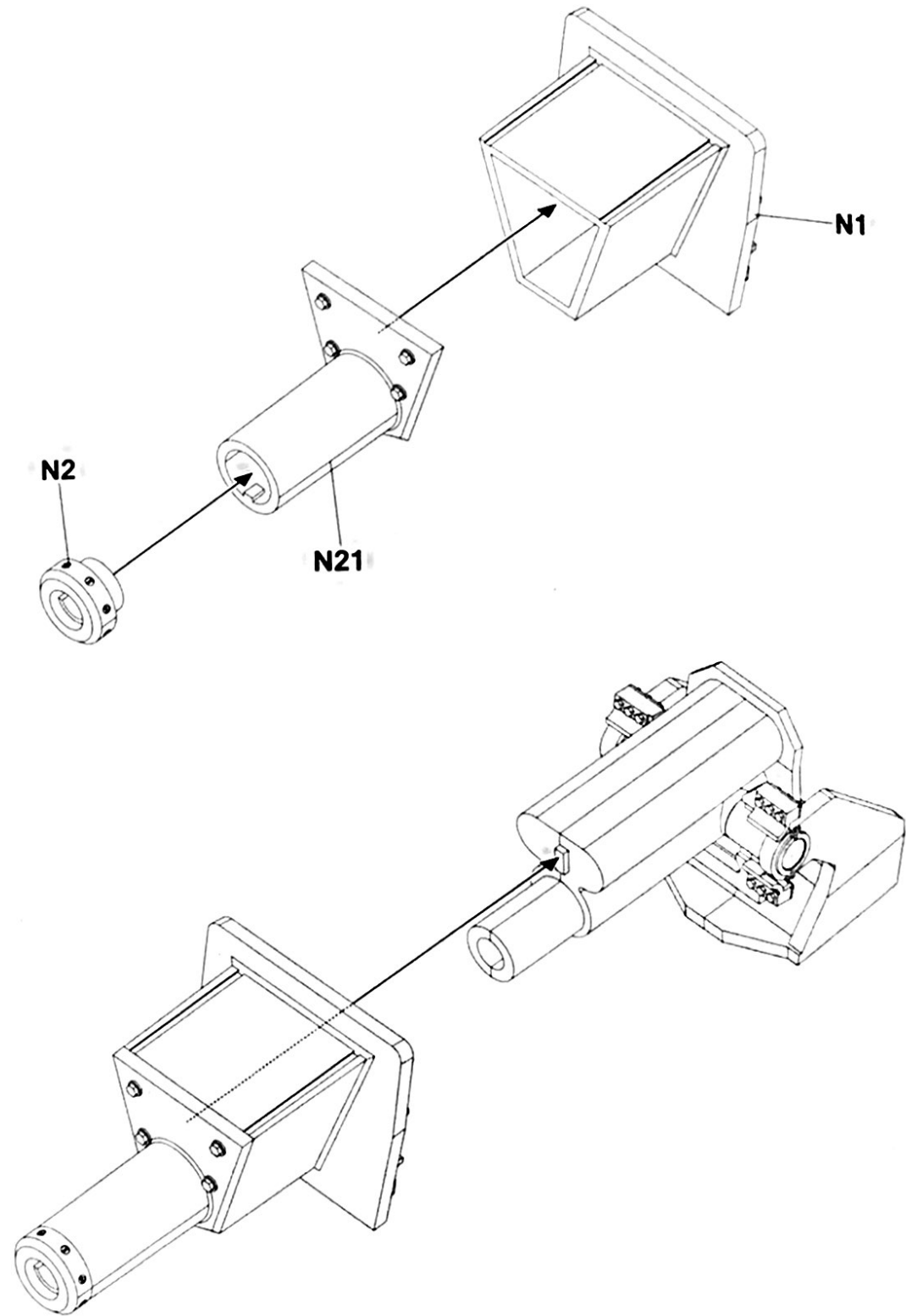


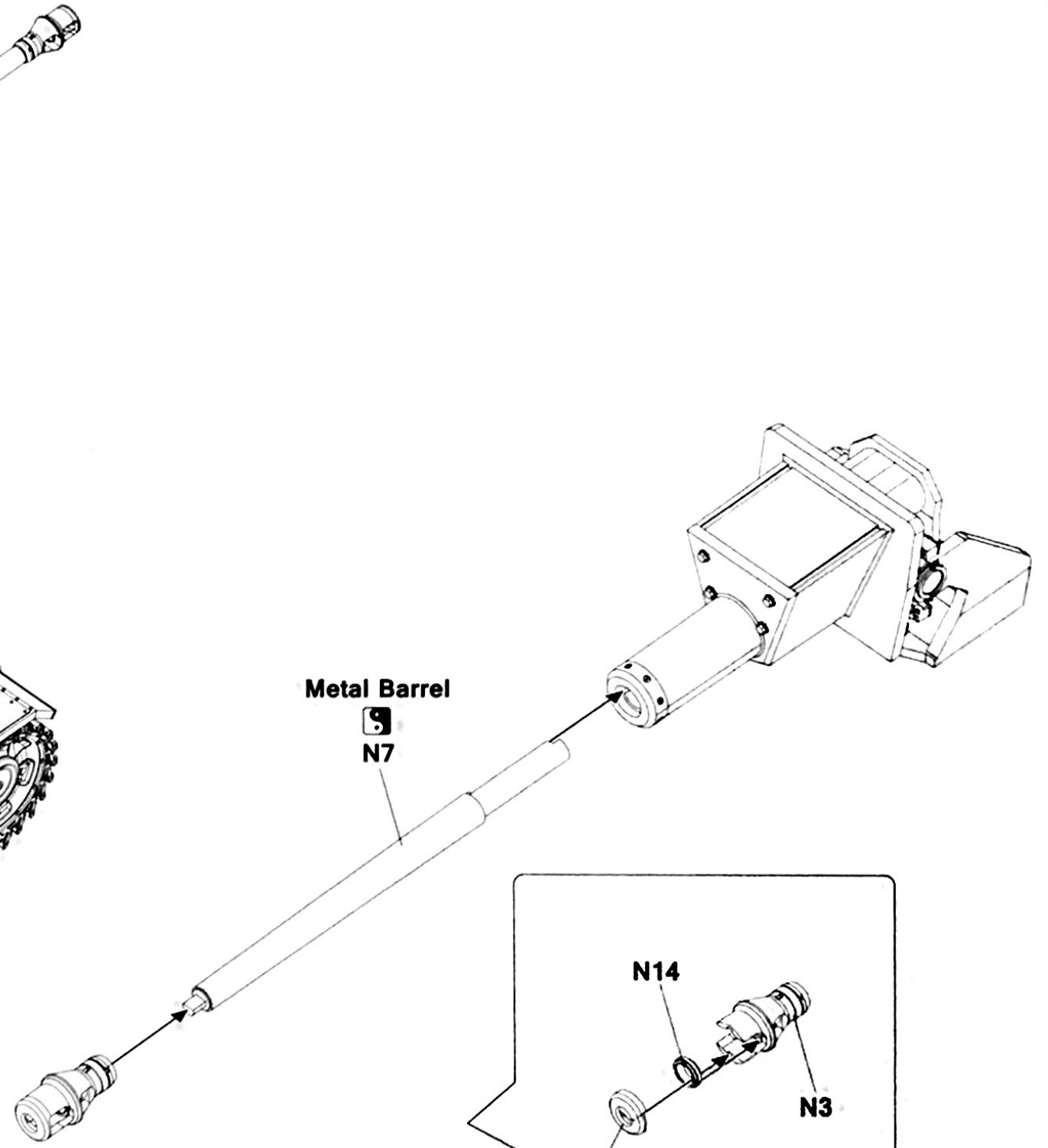
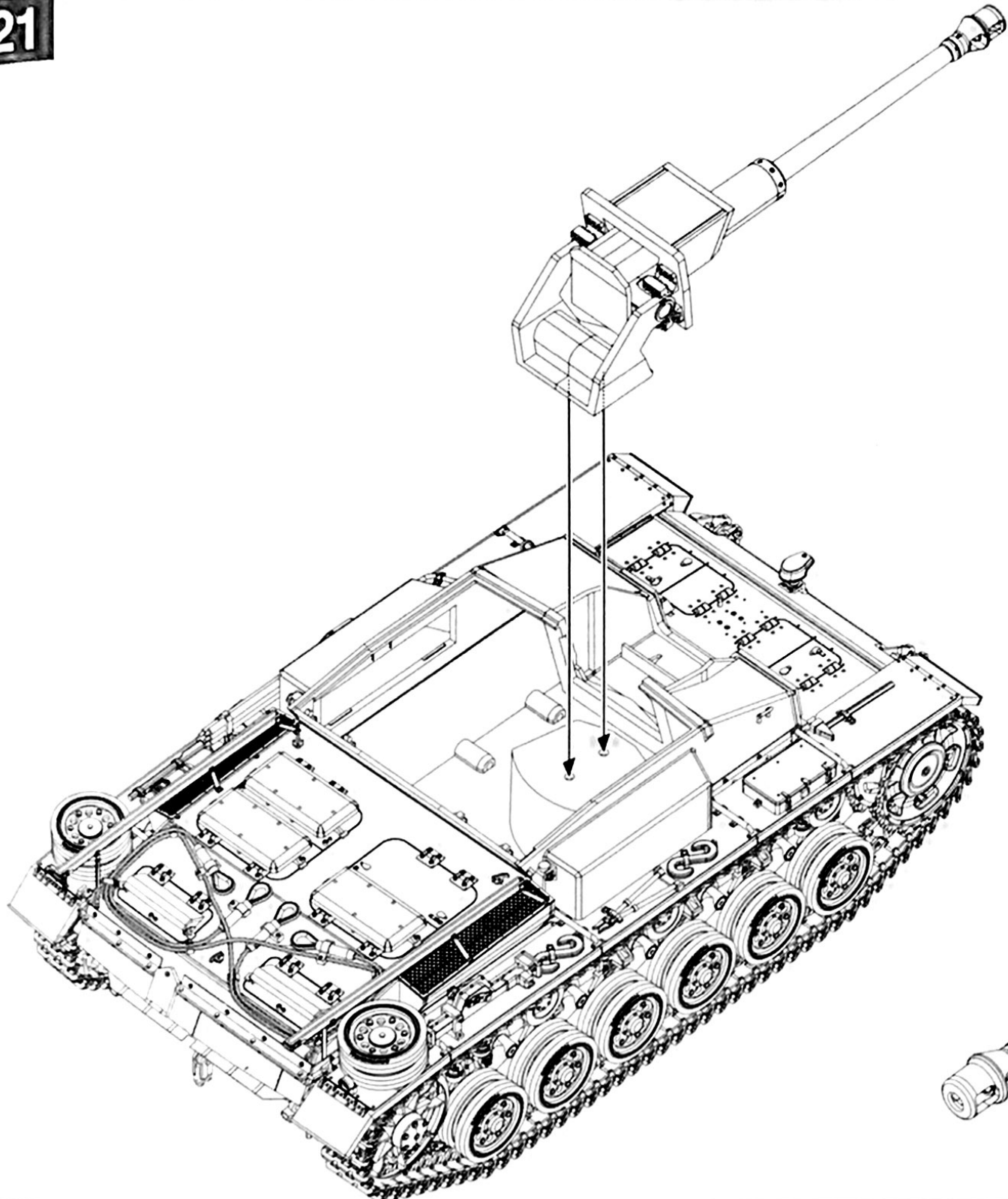


19

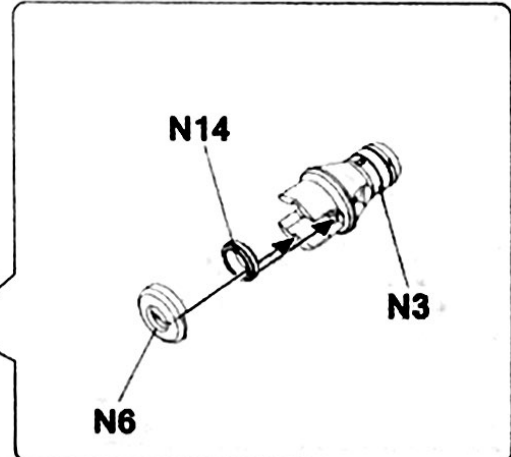


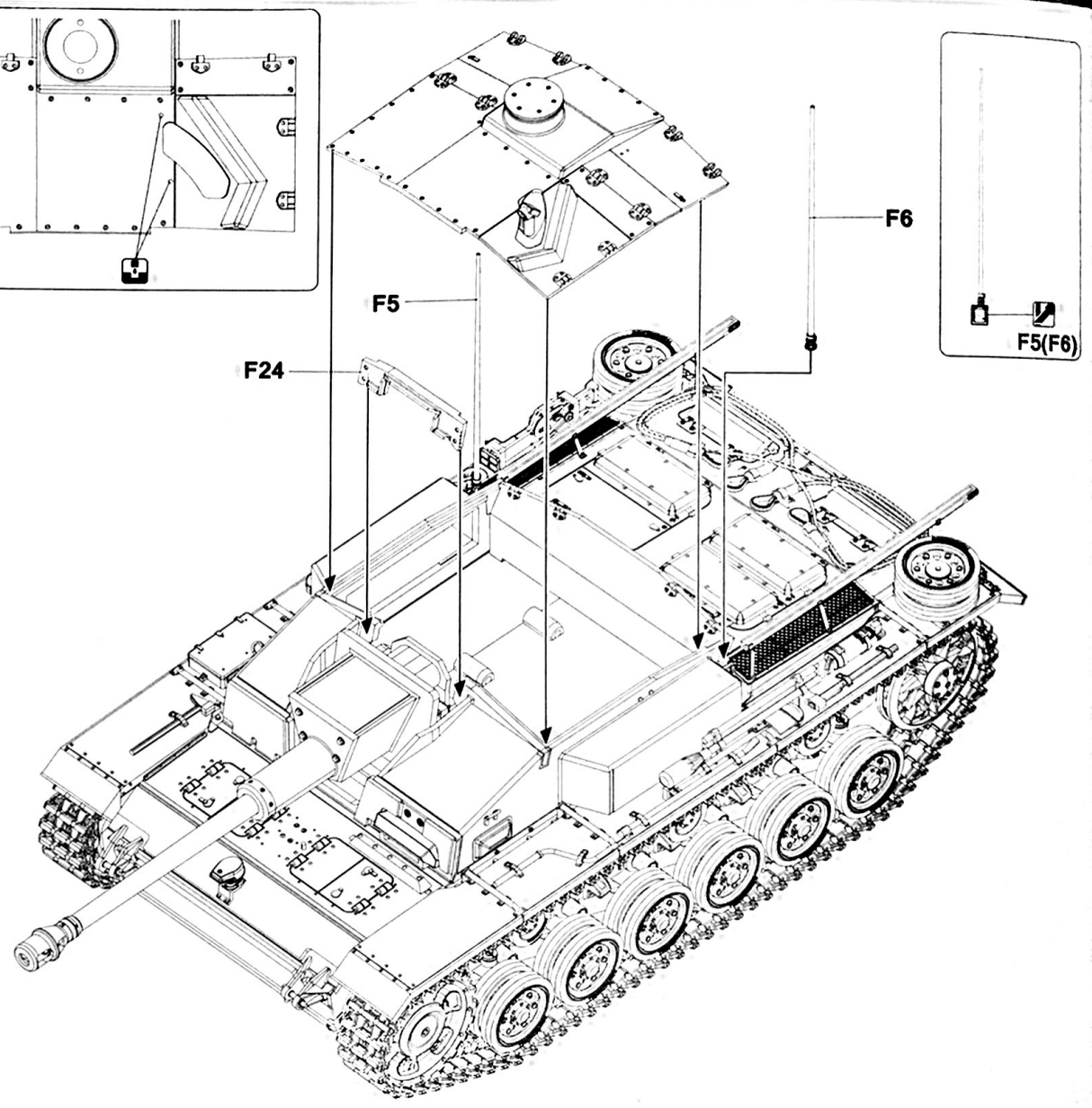
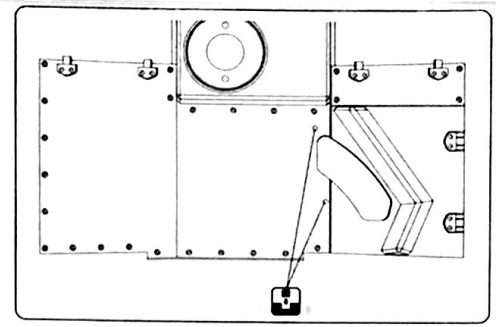
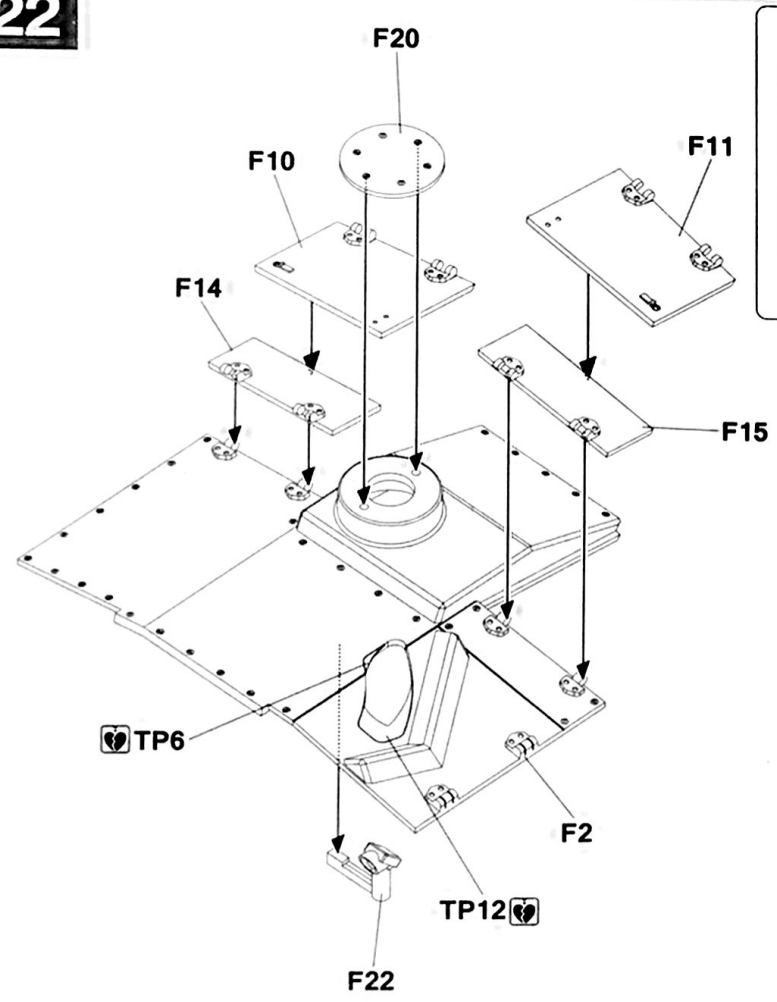
20



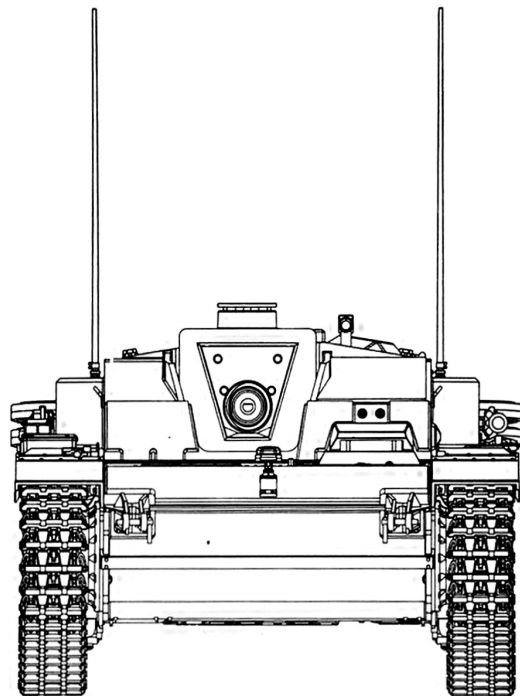


Metal Barrel
9
N7





2023/8015



You can find TAKOM on Facebook.com