

Instruction

模型拼裝說明書

1:32 Scale



**KITTY
HAWK**

F-5E Tiger II



F-5E “虎” II 战斗机

KH32018

Please visit our web site at
www.kittyhawkmodel.com

READ BEFORE ASSEMBLY

在組合您的模型之前，請充分閱讀本冊說明書。組合模型您需要如下物品（需另購）：模型膠水；一把模型鉗或一把用於將零件從框架上切下的模型筆刀。筆刀同樣可以用來修整零件的合模綫。祝您制作愉快！

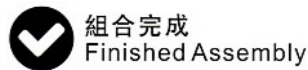
Before assembling your model kit, read through these instructions carefully. To assemble this kit, you will need Plastic glue (not include). A pair of side cutter or a sharp modelling knife is required for removing parts from the frame. Plastic mould lines can be removed with the modelling knife.



塗色
Painting



隨愛好選擇
Optional



組合完成
Finished Assembly



制作兩組
Make Two



切除
Cut



對側
Opposite

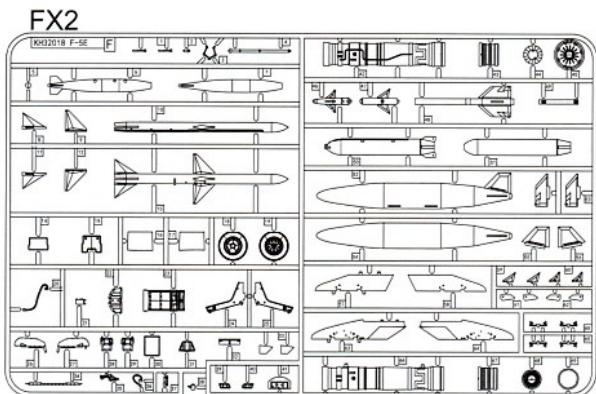
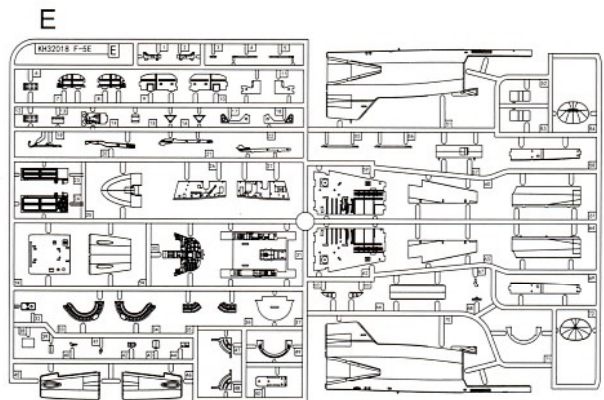
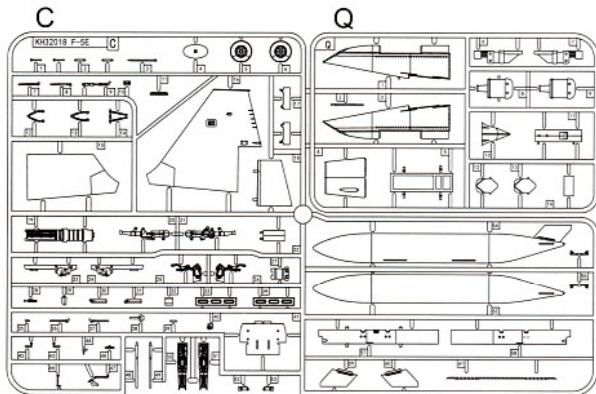
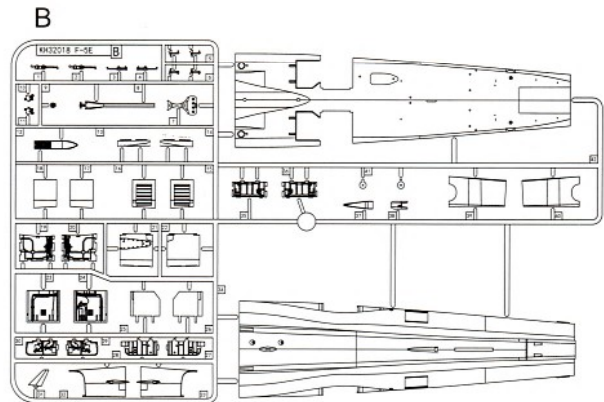
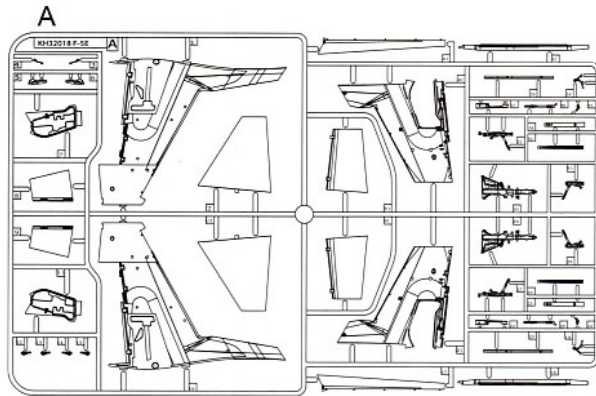


彎曲
Bend



鉆孔
Make Hole

部品图 PARTS



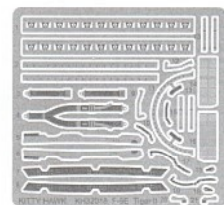
《水貼A》
Decal A



《水貼B》
Decal B

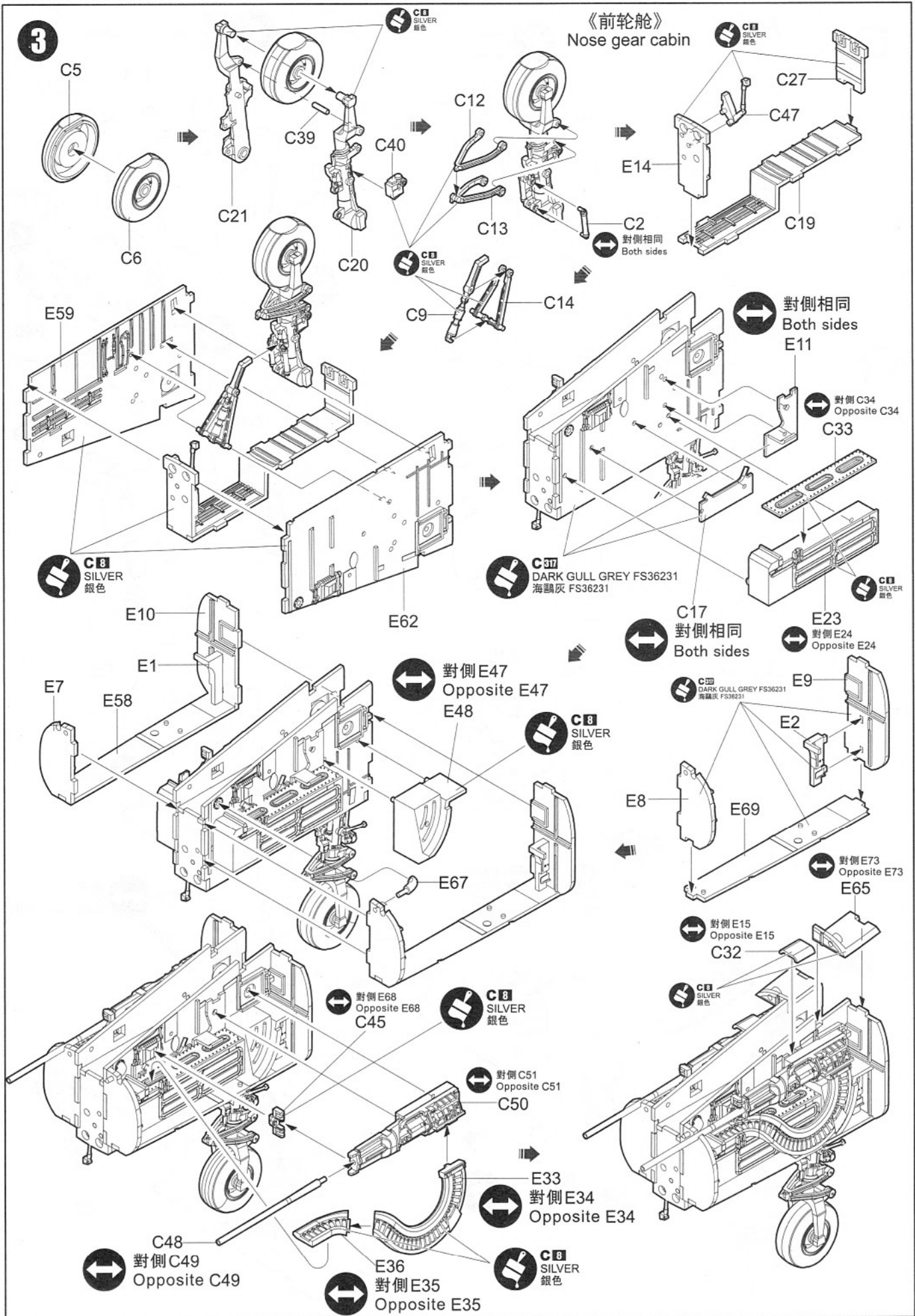


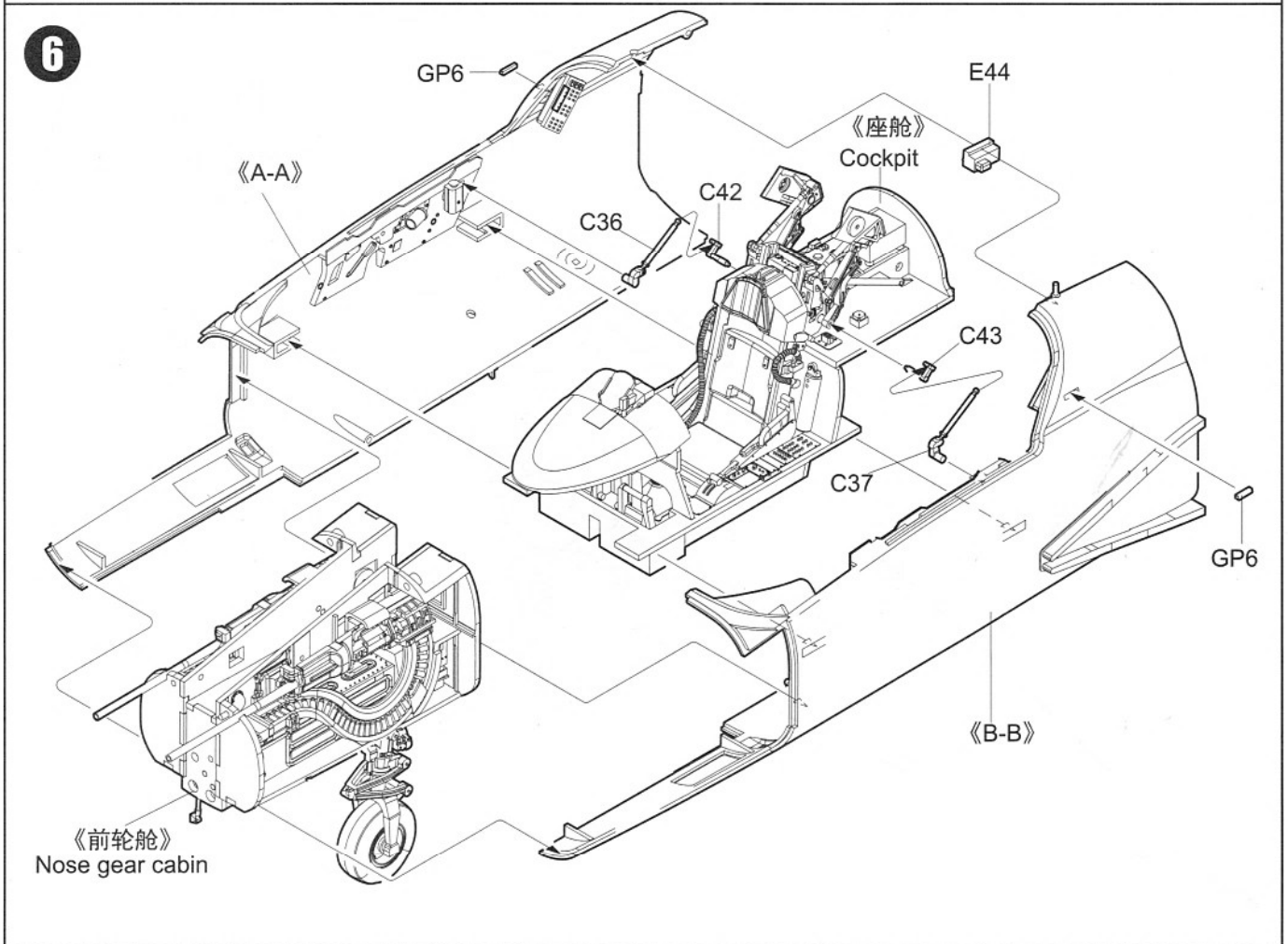
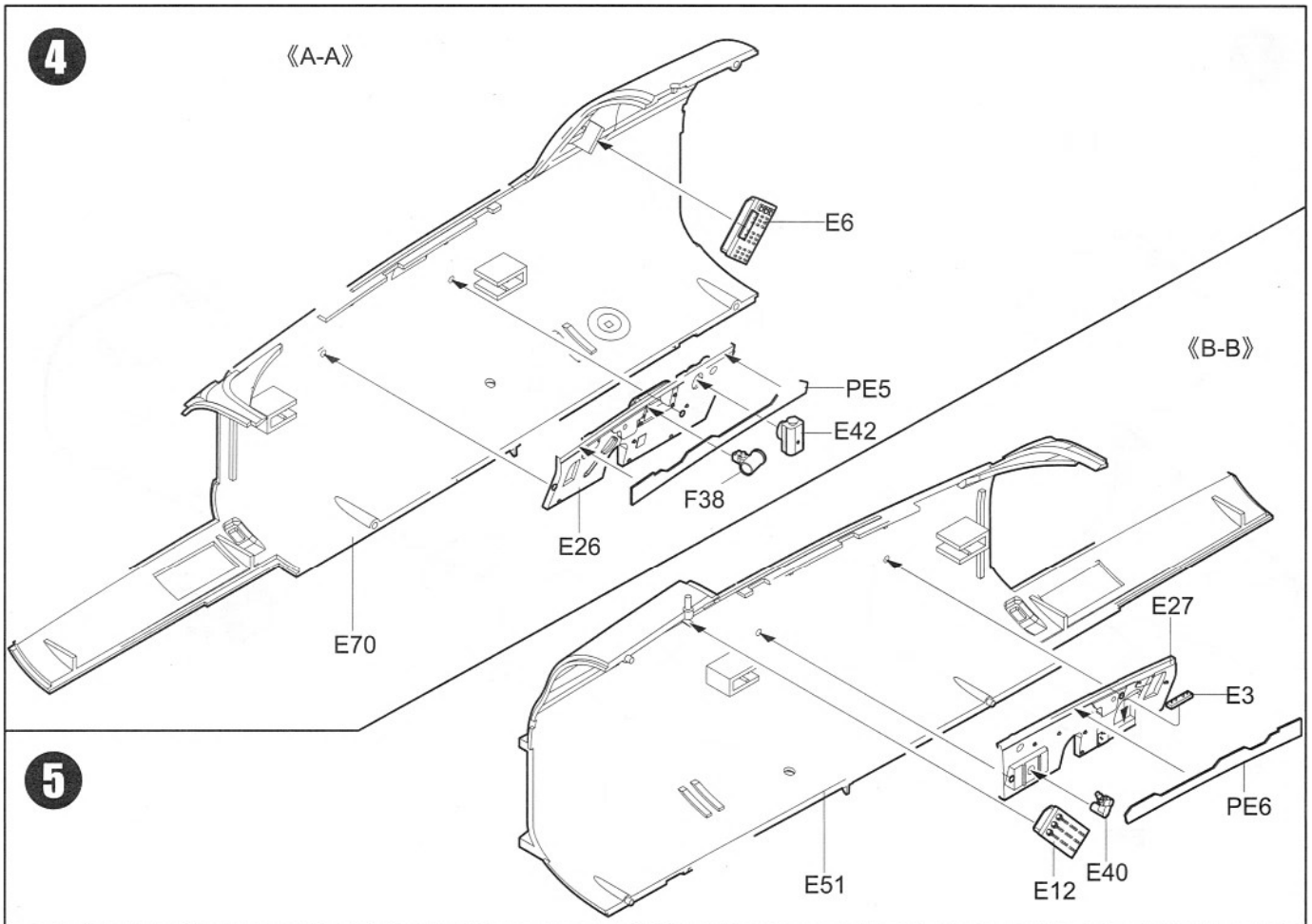
《蚀刻片》
PE



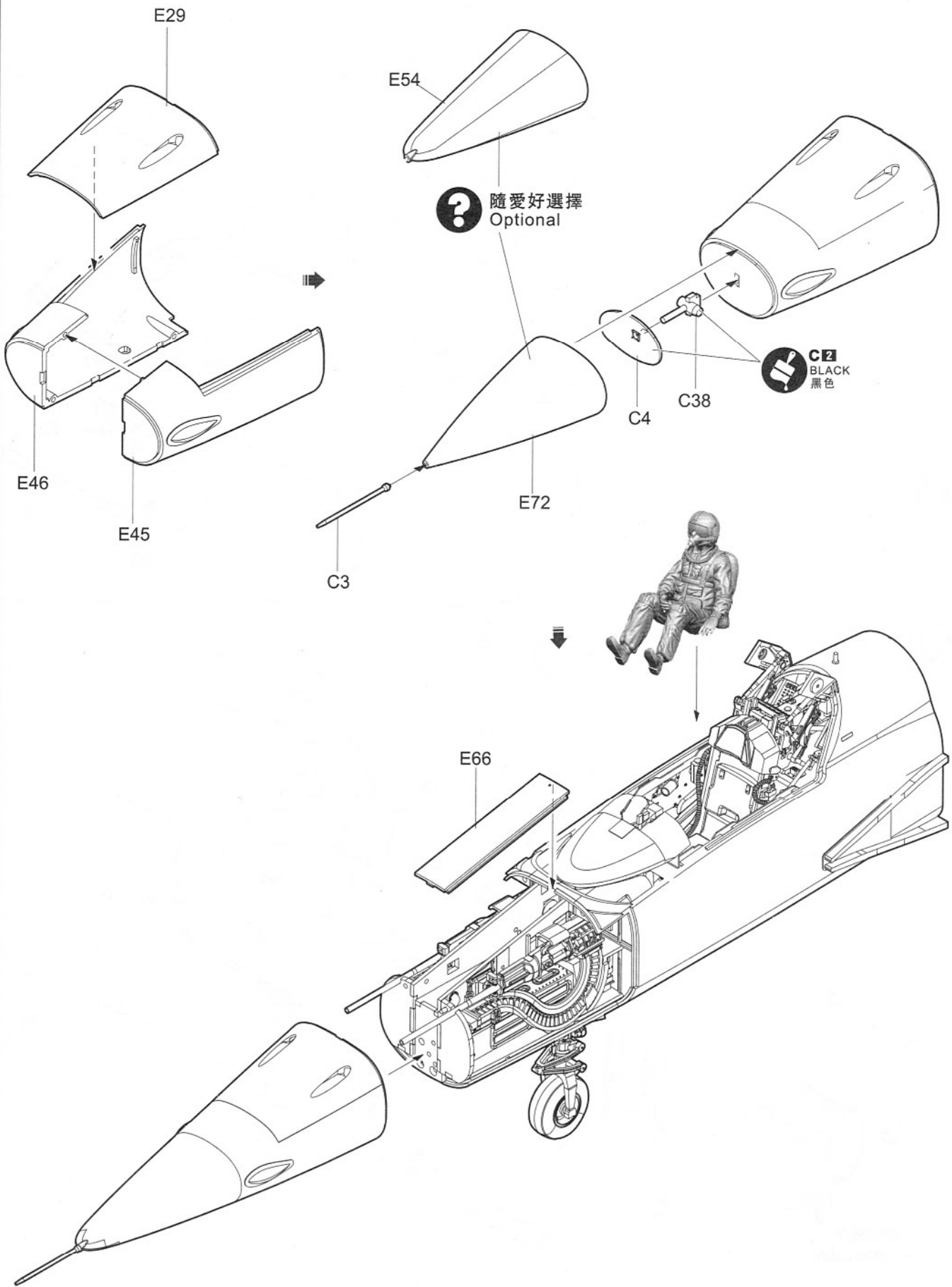
《树脂件》
RESIN PART



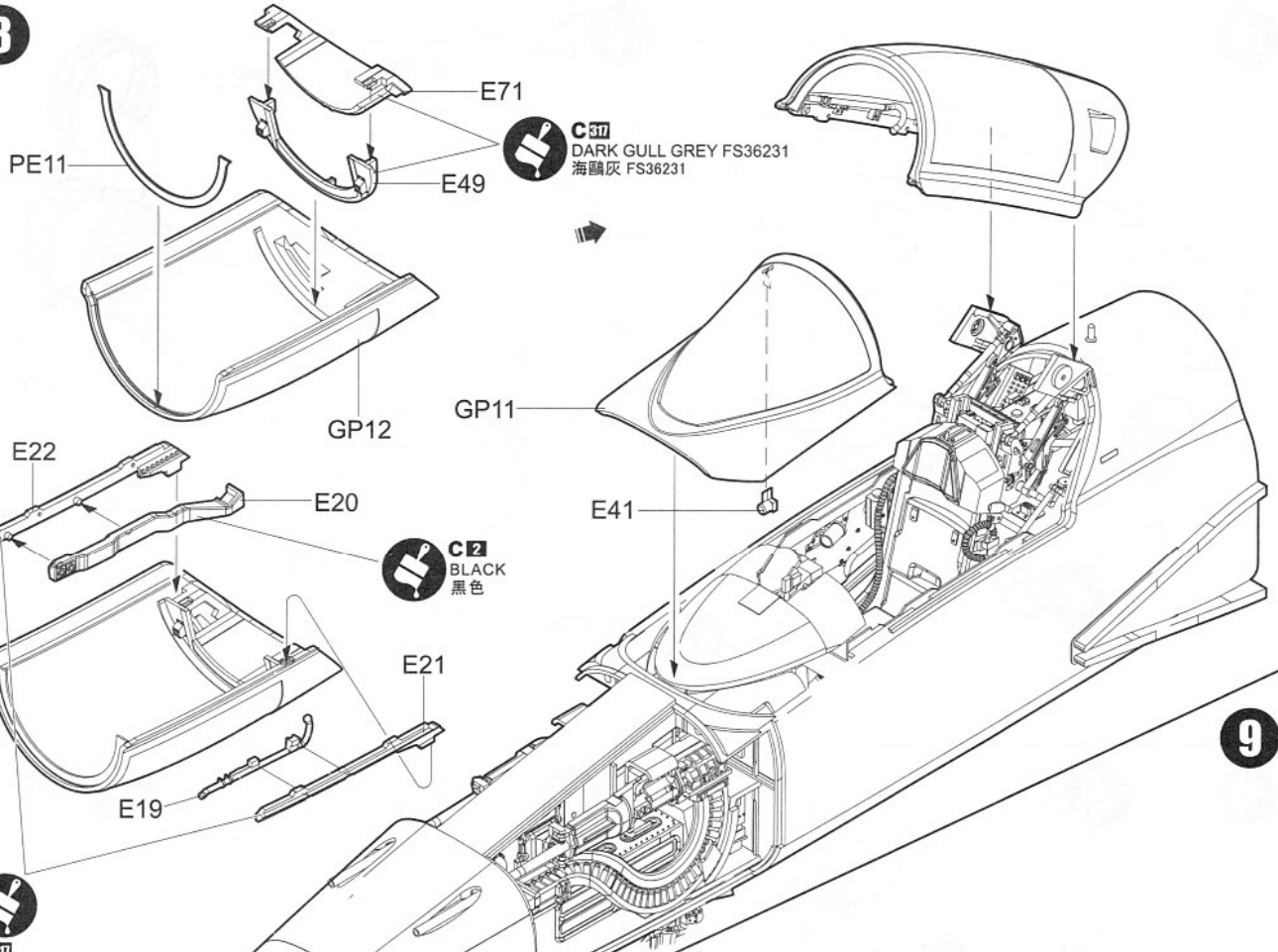




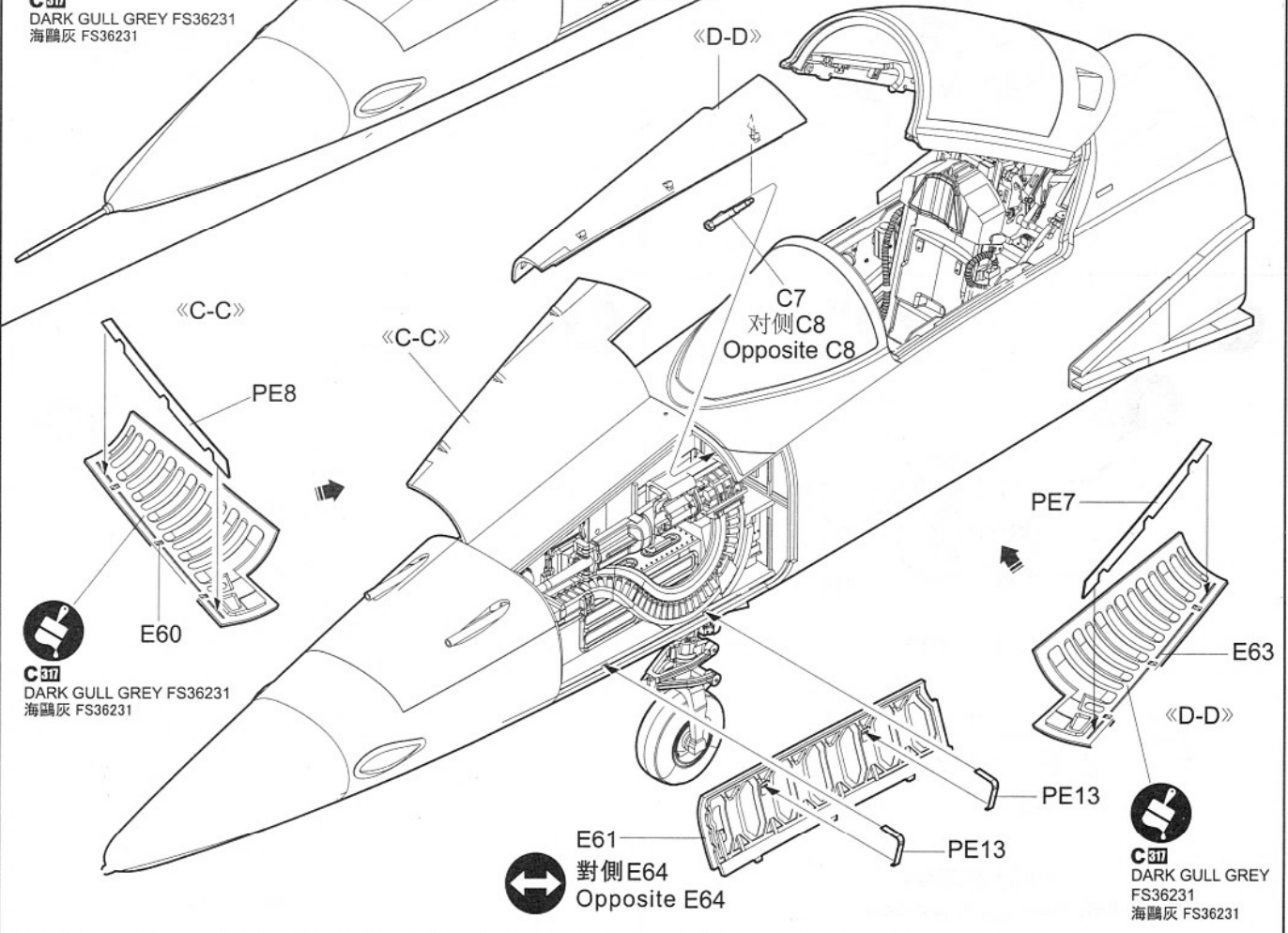
7



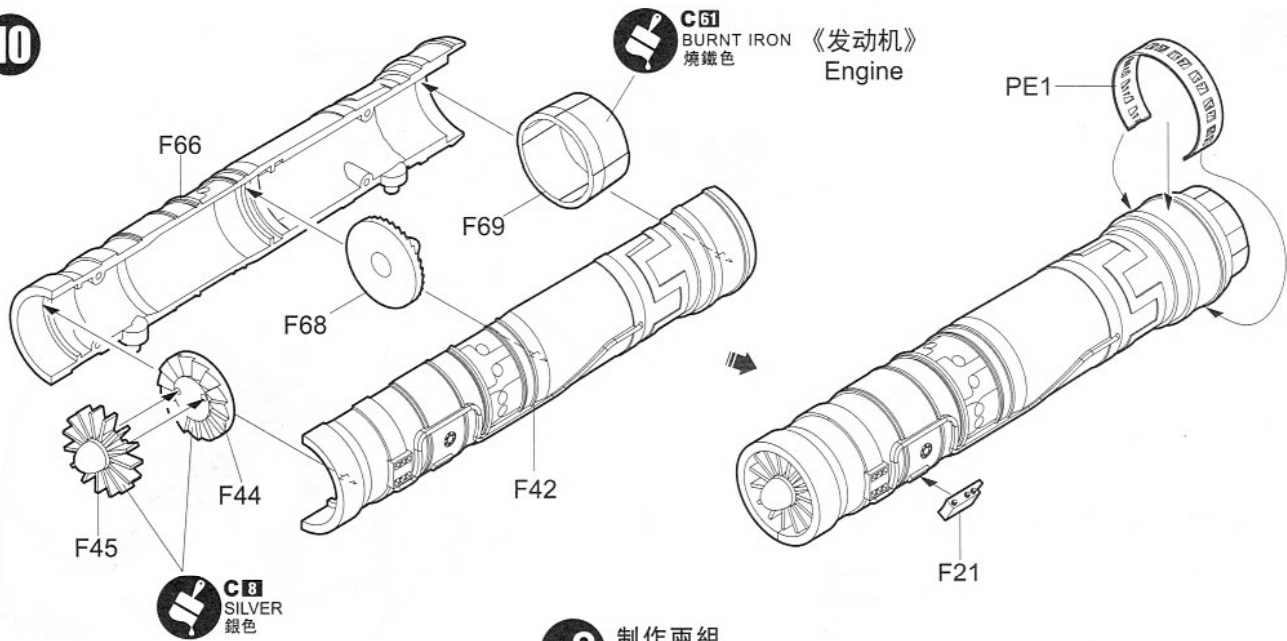
8



9

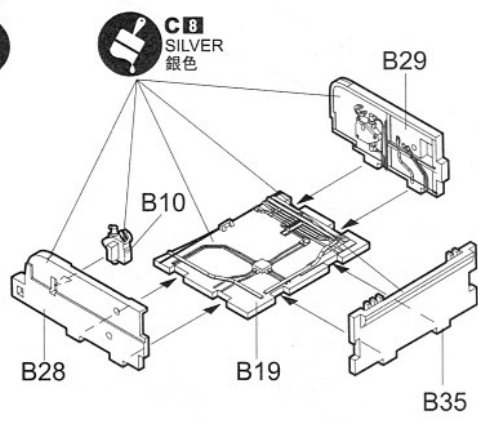


10



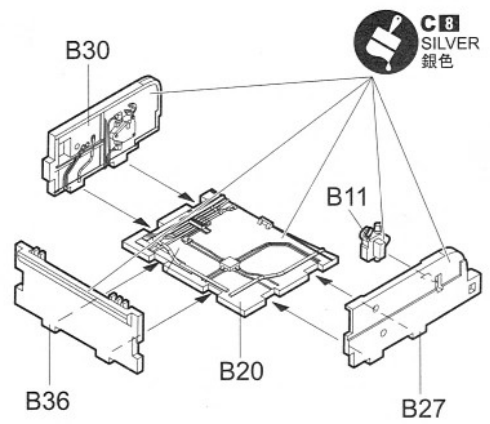
x2 制作两组
Make Two

11



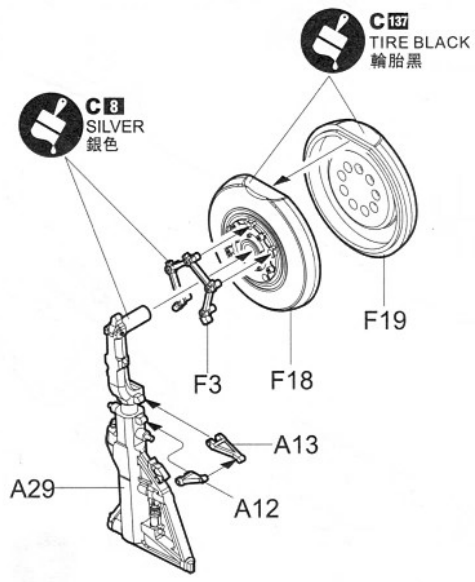
《E-E》

12



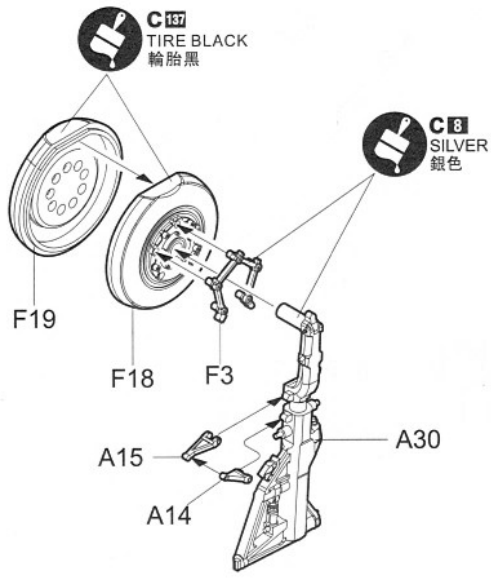
《F-F》

13



《左侧主起落架》
Left main undercarriage

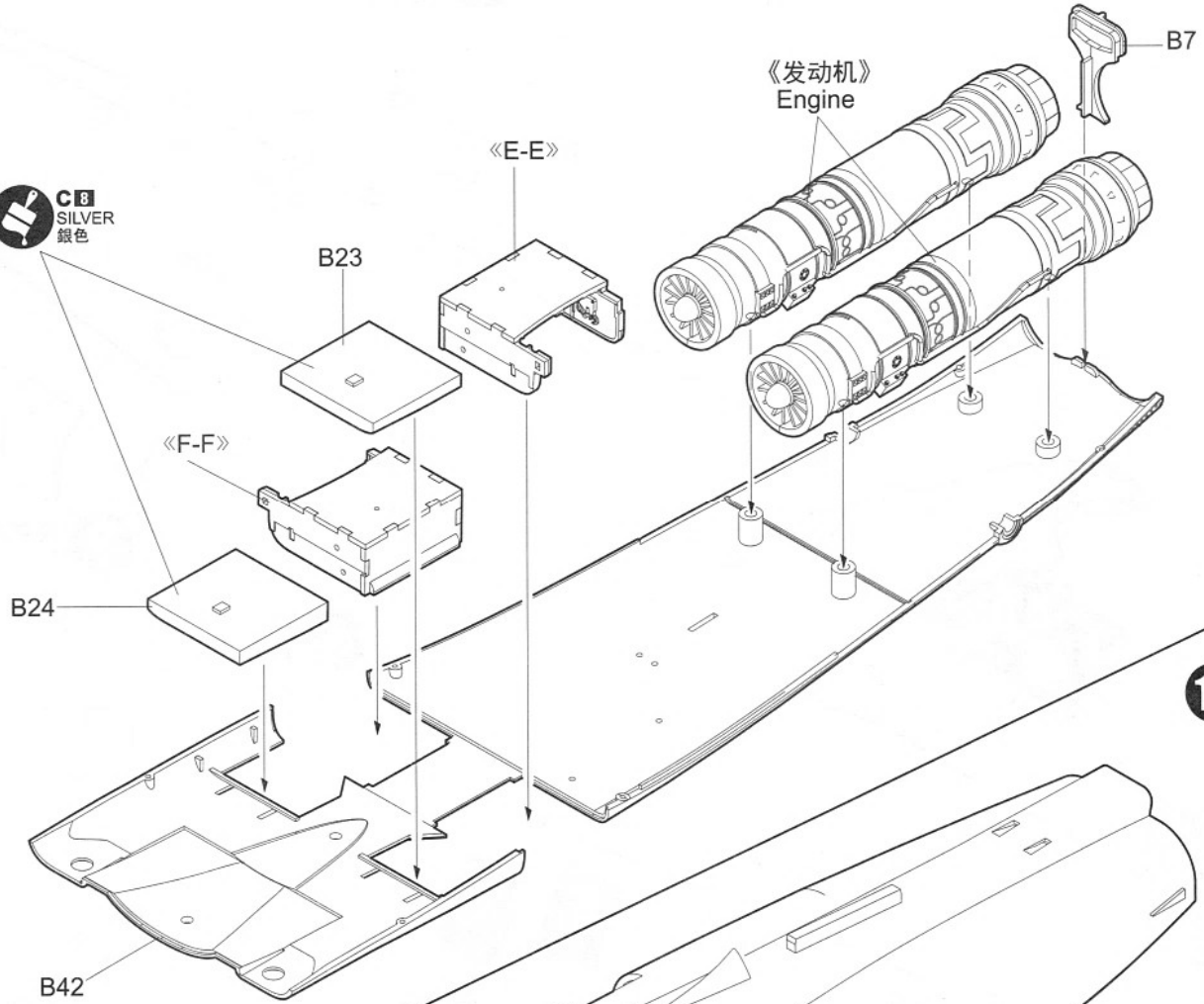
14



《右侧主起落架》
Right main undercarriage

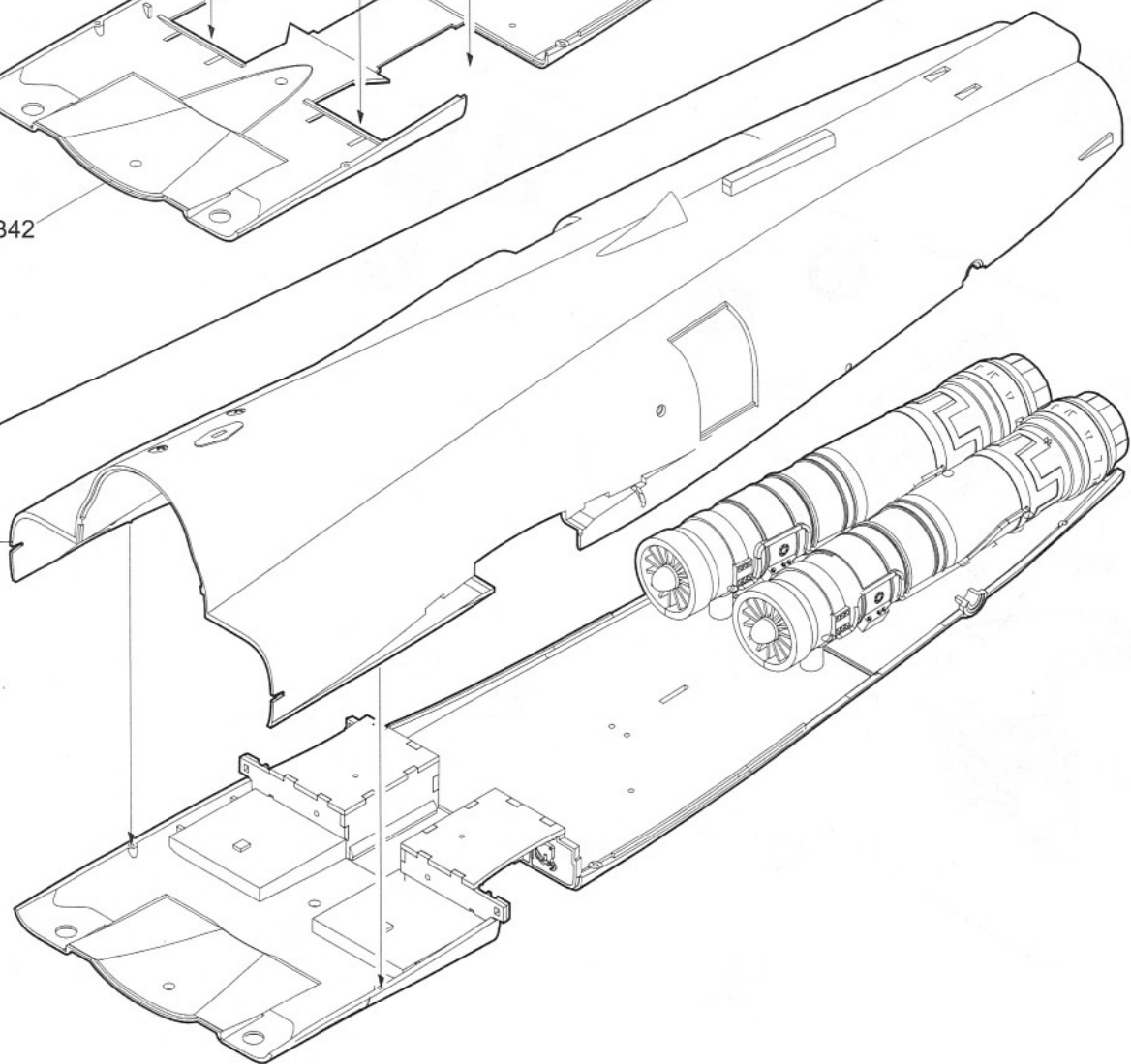
15

CE
SILVER
銀色



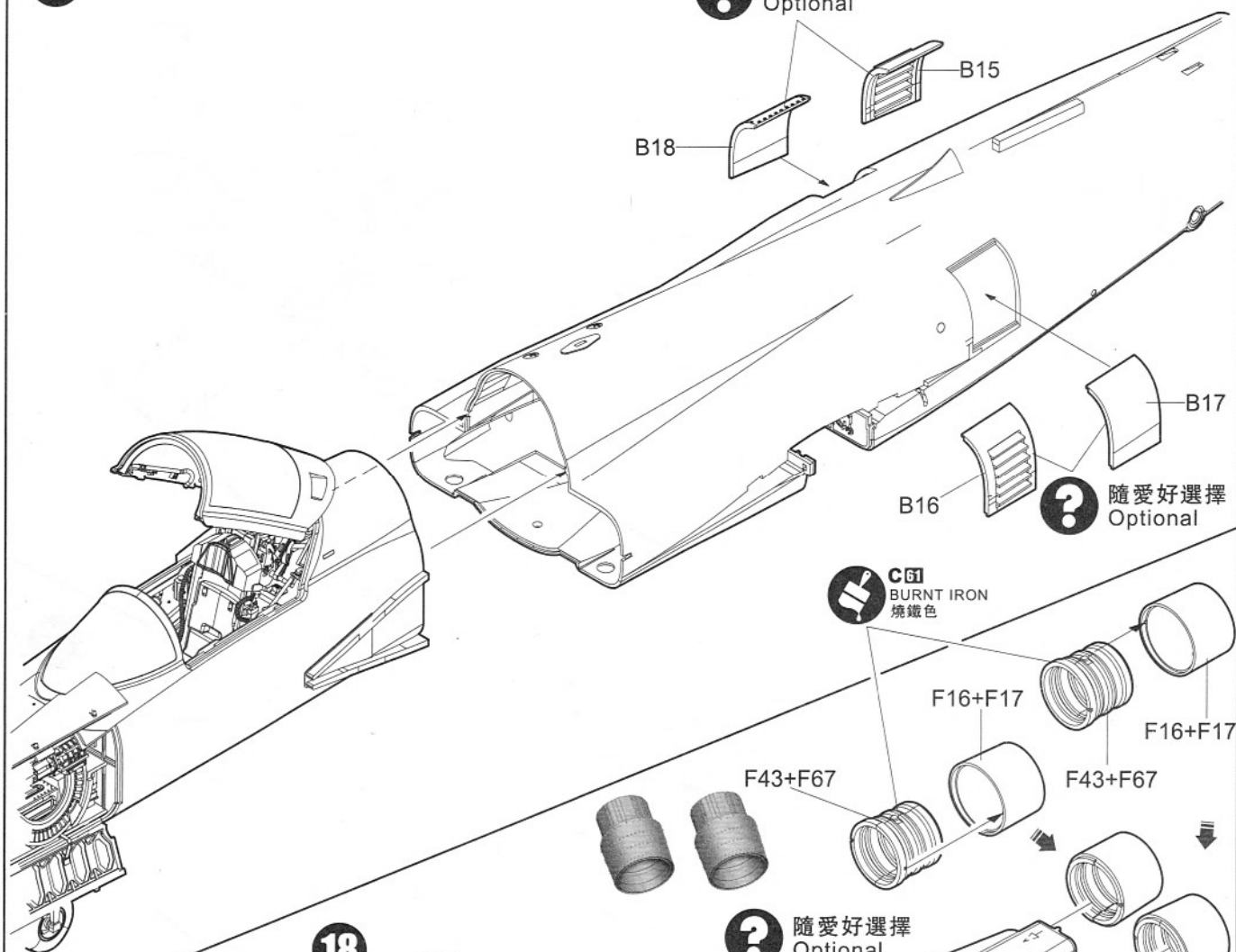
16

B34



17

? 隨愛好選擇
Optional



? 隨愛好選擇
Optional

C57
BURNT IRON
燒鐵色

F16+F17

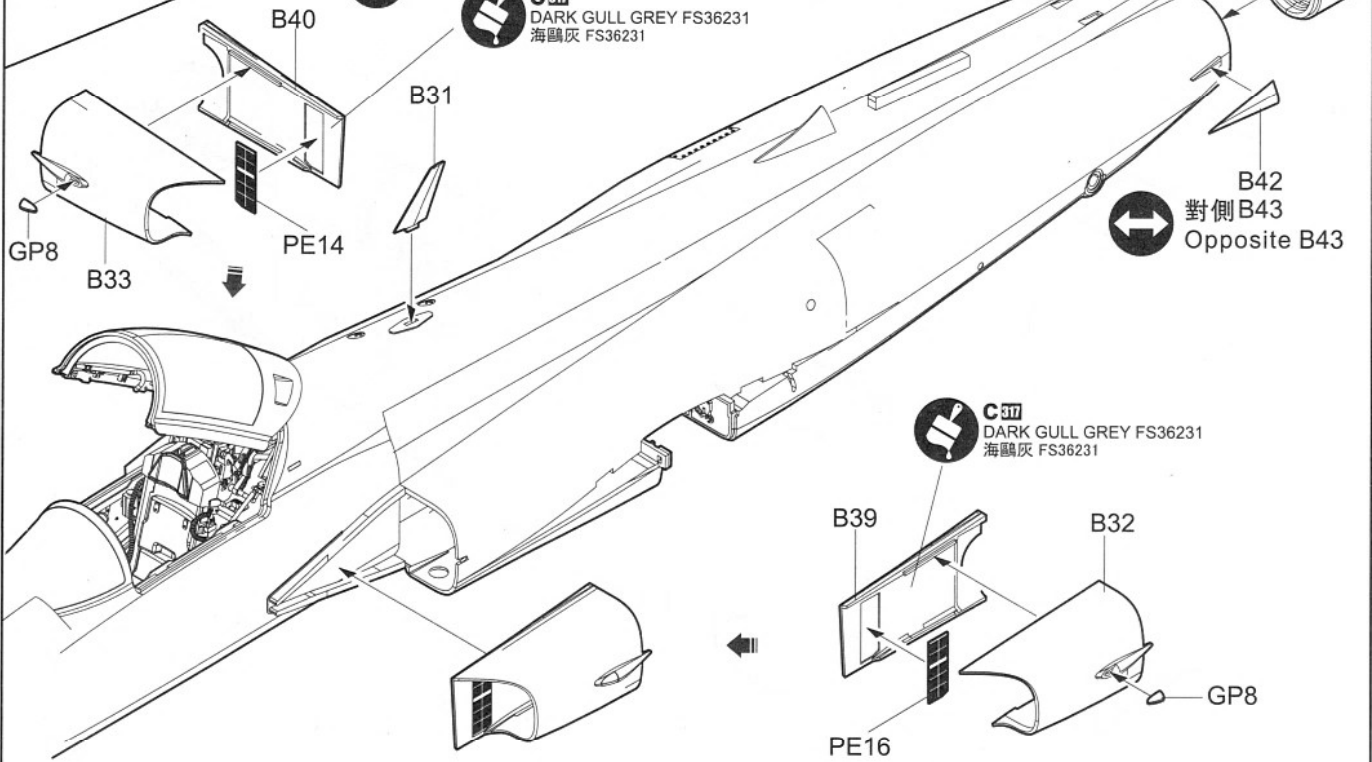
F43+F67

F43+F67

? 隨愛好選擇
Optional

C57
DARK GULL GREY FS36231
海鷗灰 FS36231

18



B42
對側 B43
Opposite B43

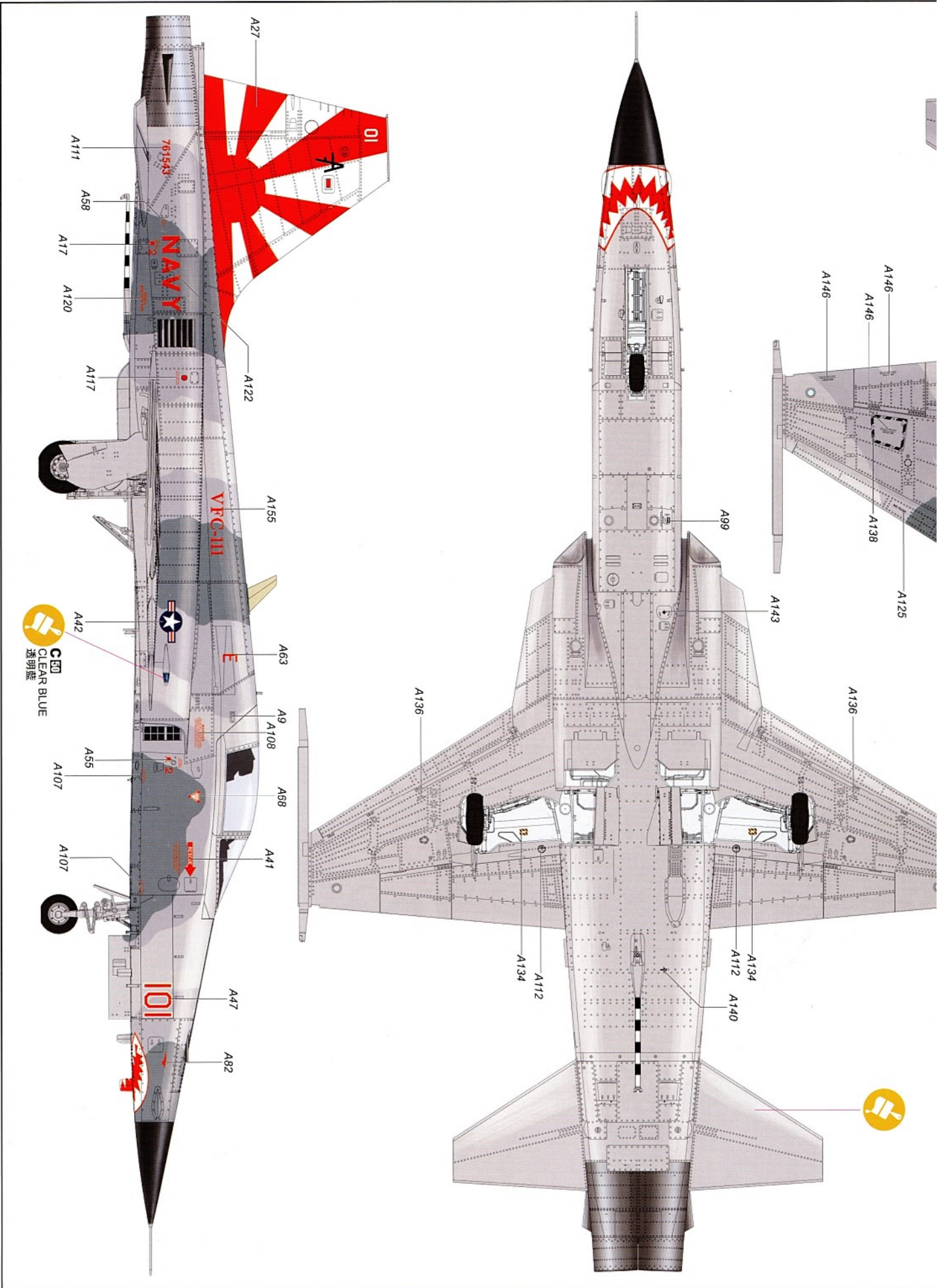
C57
DARK GULL GREY FS36231
海鷗灰 FS36231

B39

B32

PE16

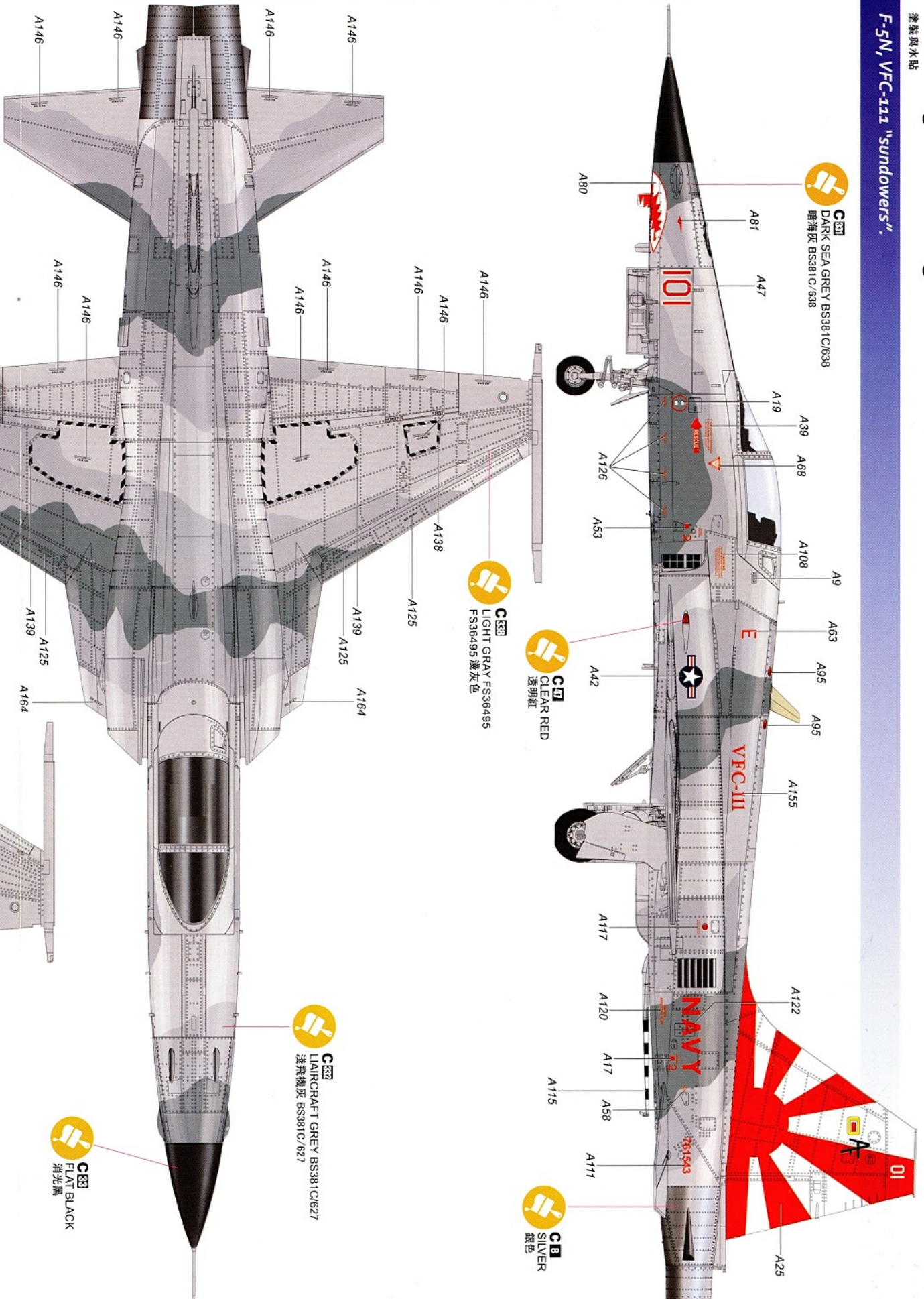
GP8



Painting & marking Guide

塗裝與水貼

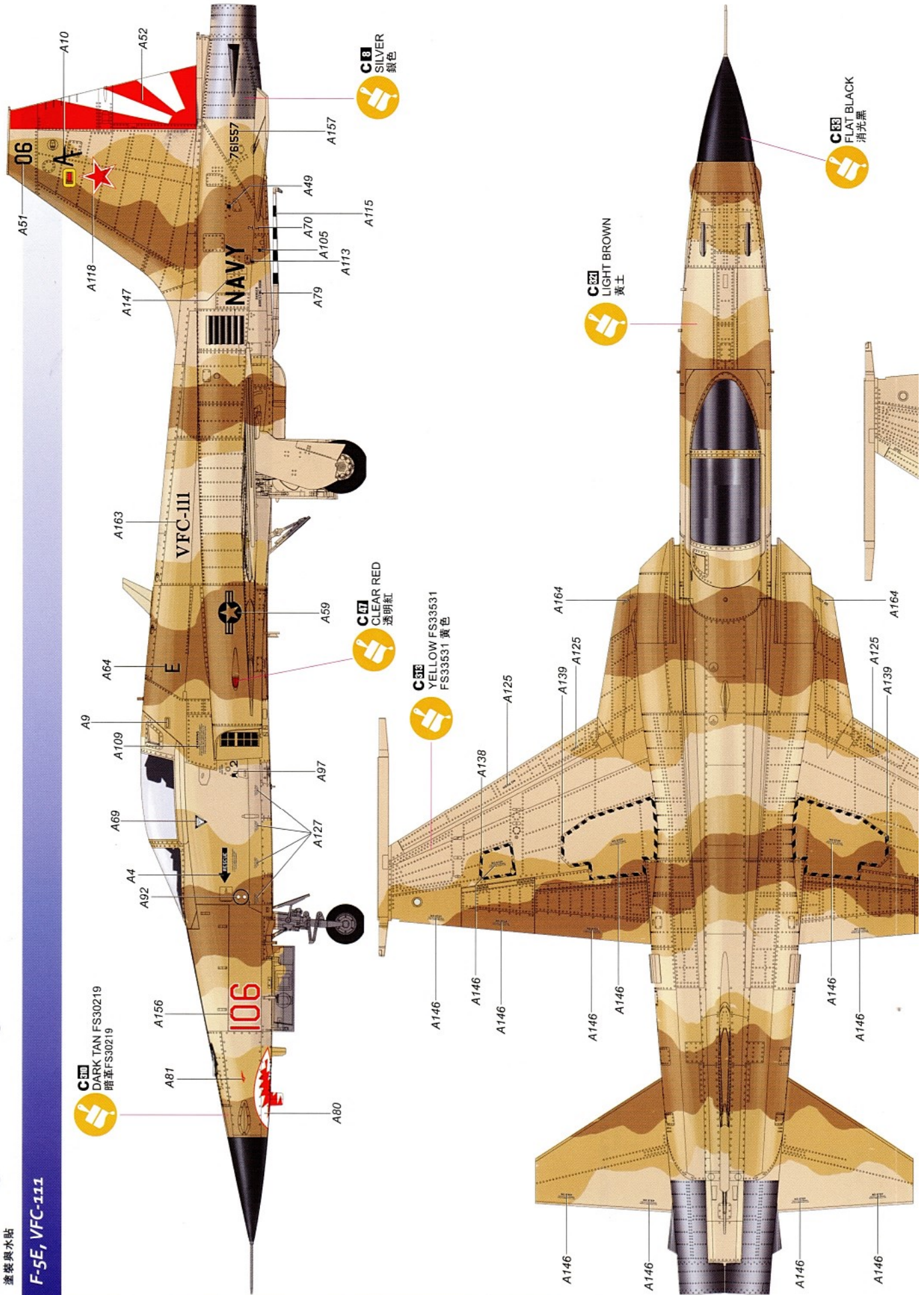
F-5N, VFC-111 "Sunderwolves".

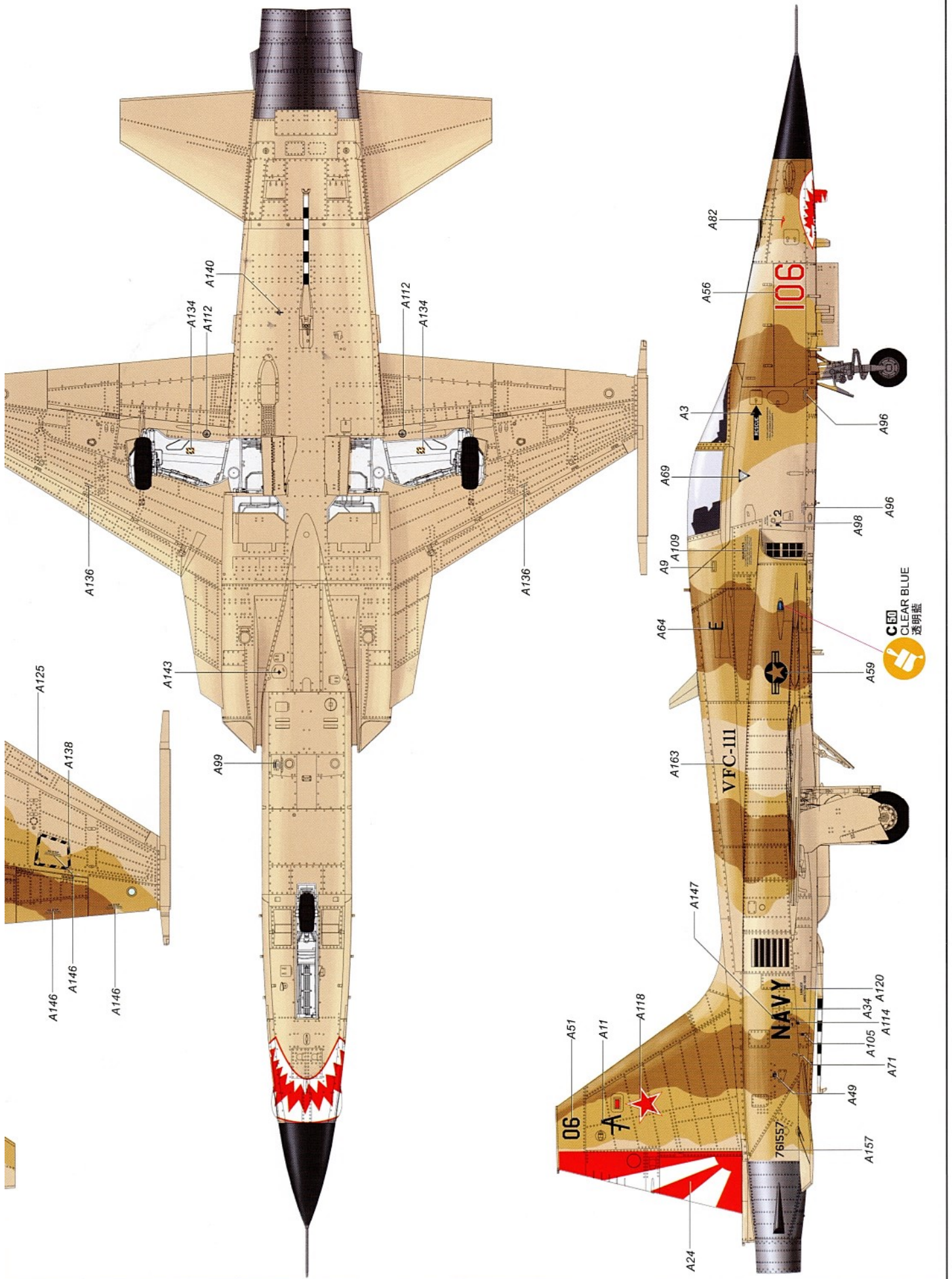


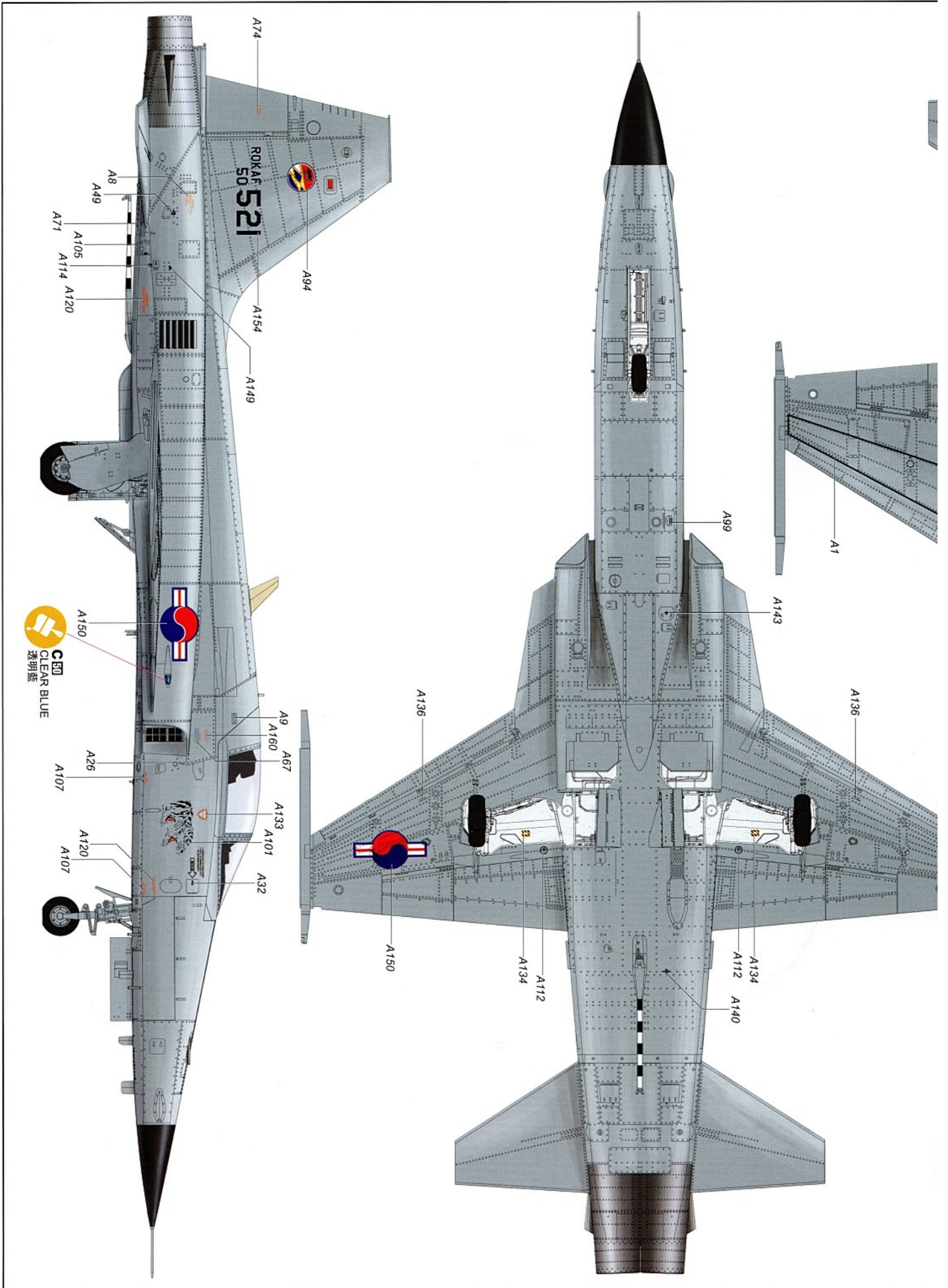
Painting & marking Guide

塗裝與水貼

F-5E, VFC-111



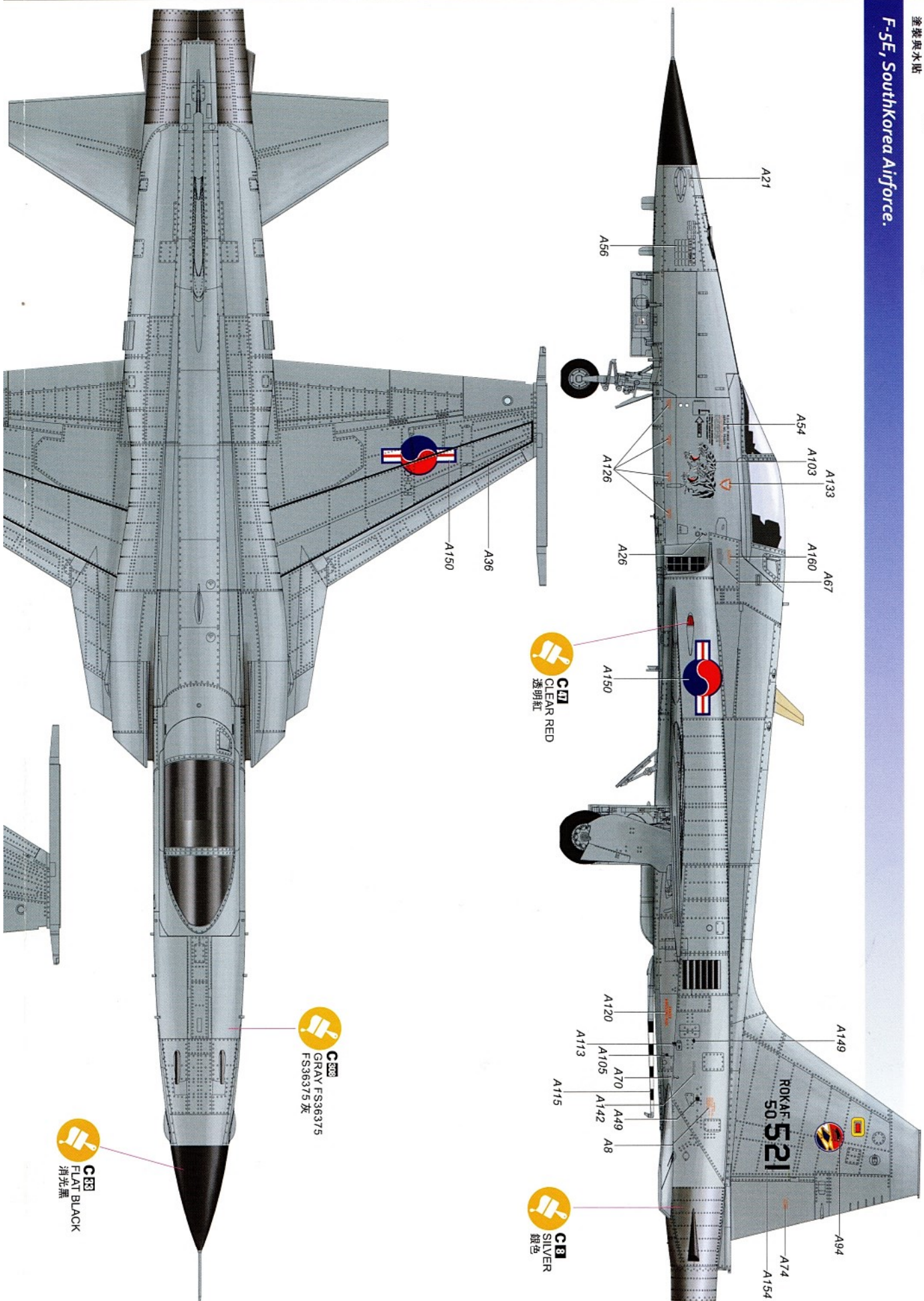




Painting & marking Guide

塗裝與水貼

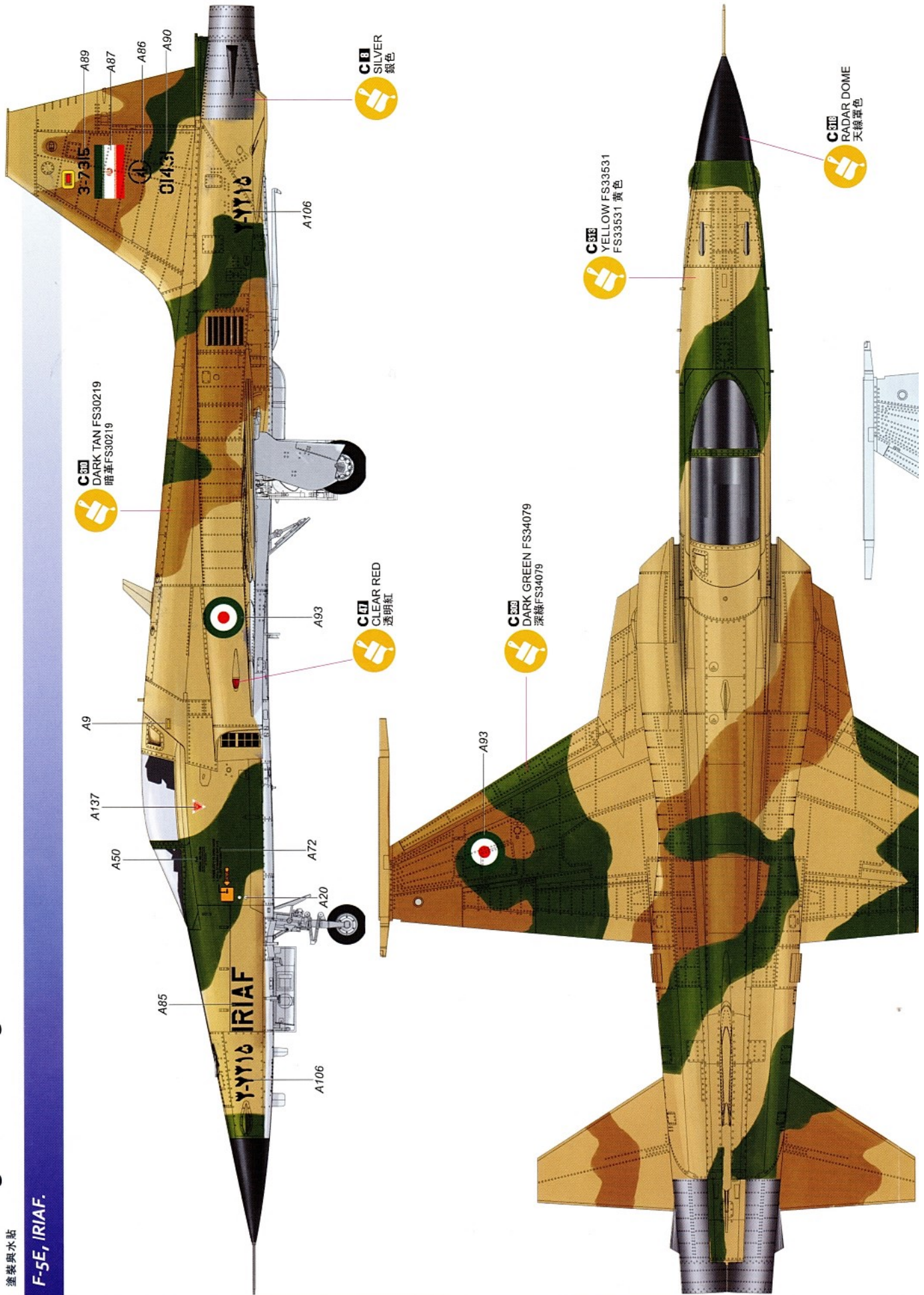
F-5E, SouthKorea Airforce.

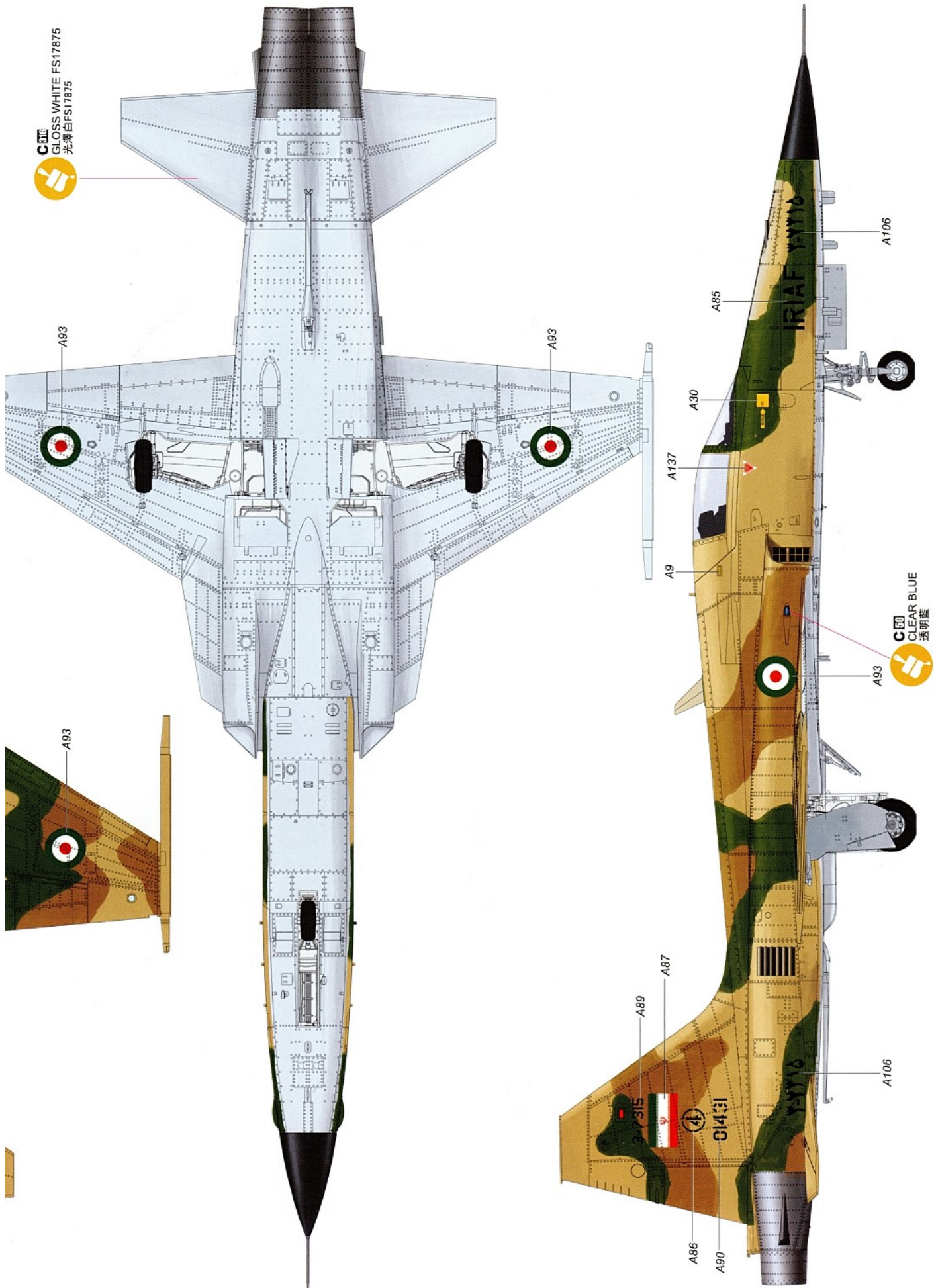


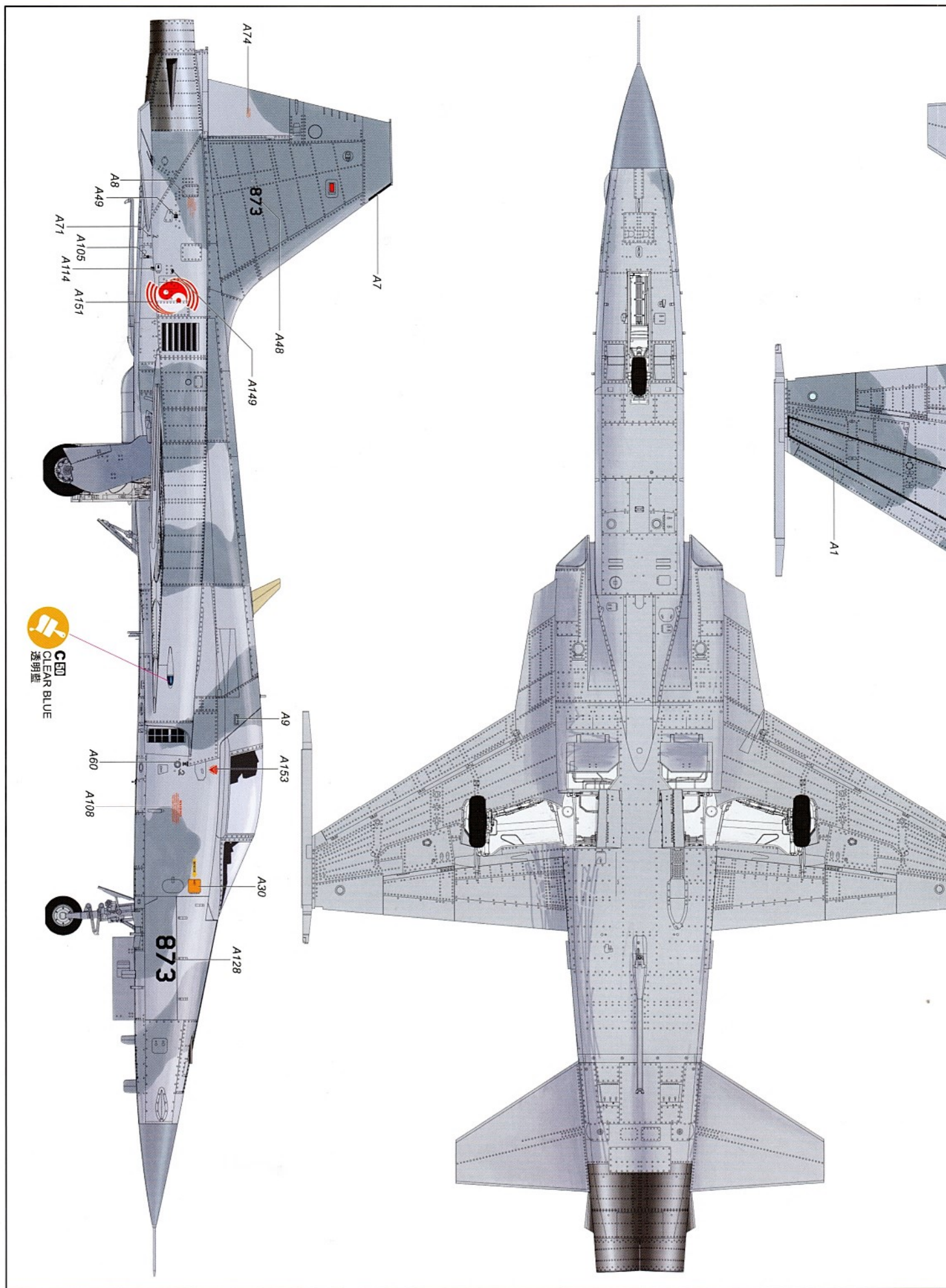
Painting & marking Guide

塗裝與水貼

F-5E, IRIAF.



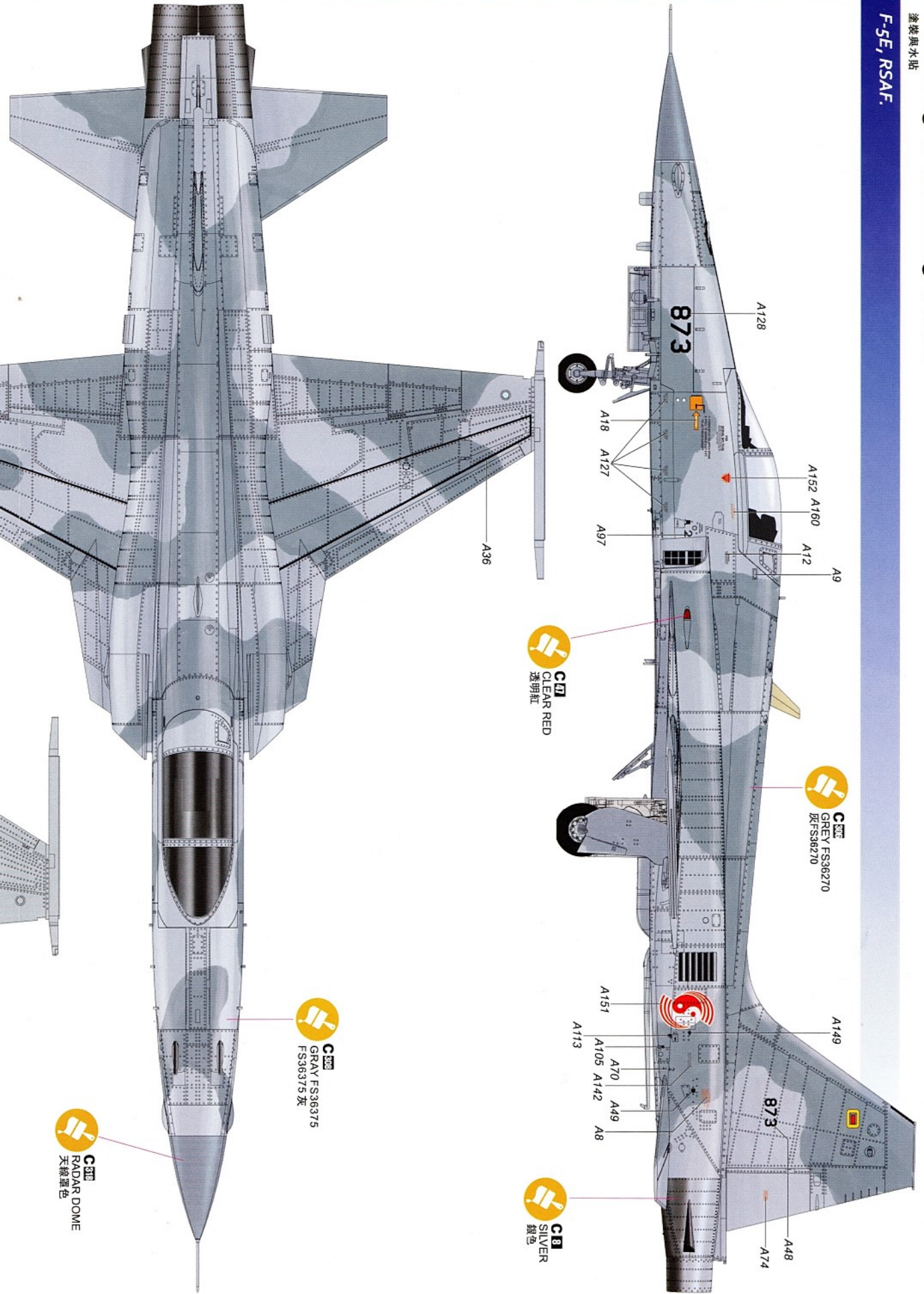




Painting & marking Guide

塗裝與水貼

F-5E, RSAF.



CM7
CLEAR RED
透明紅

CM8
GREY FS36270
灰 FS36270

CM8
GRAY FS36375
灰 FS36375

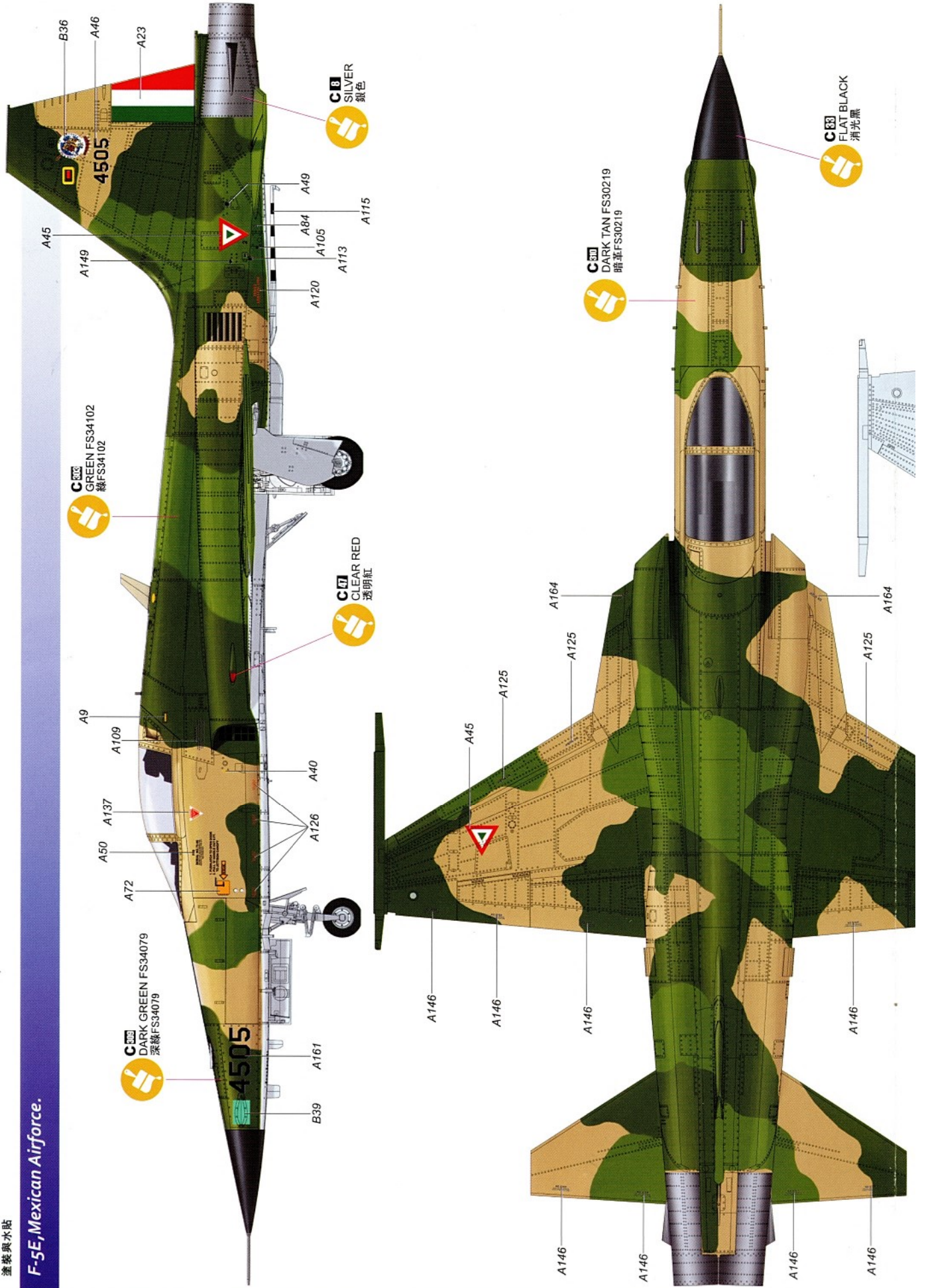
CM8
RADAR DOME
天線罩色

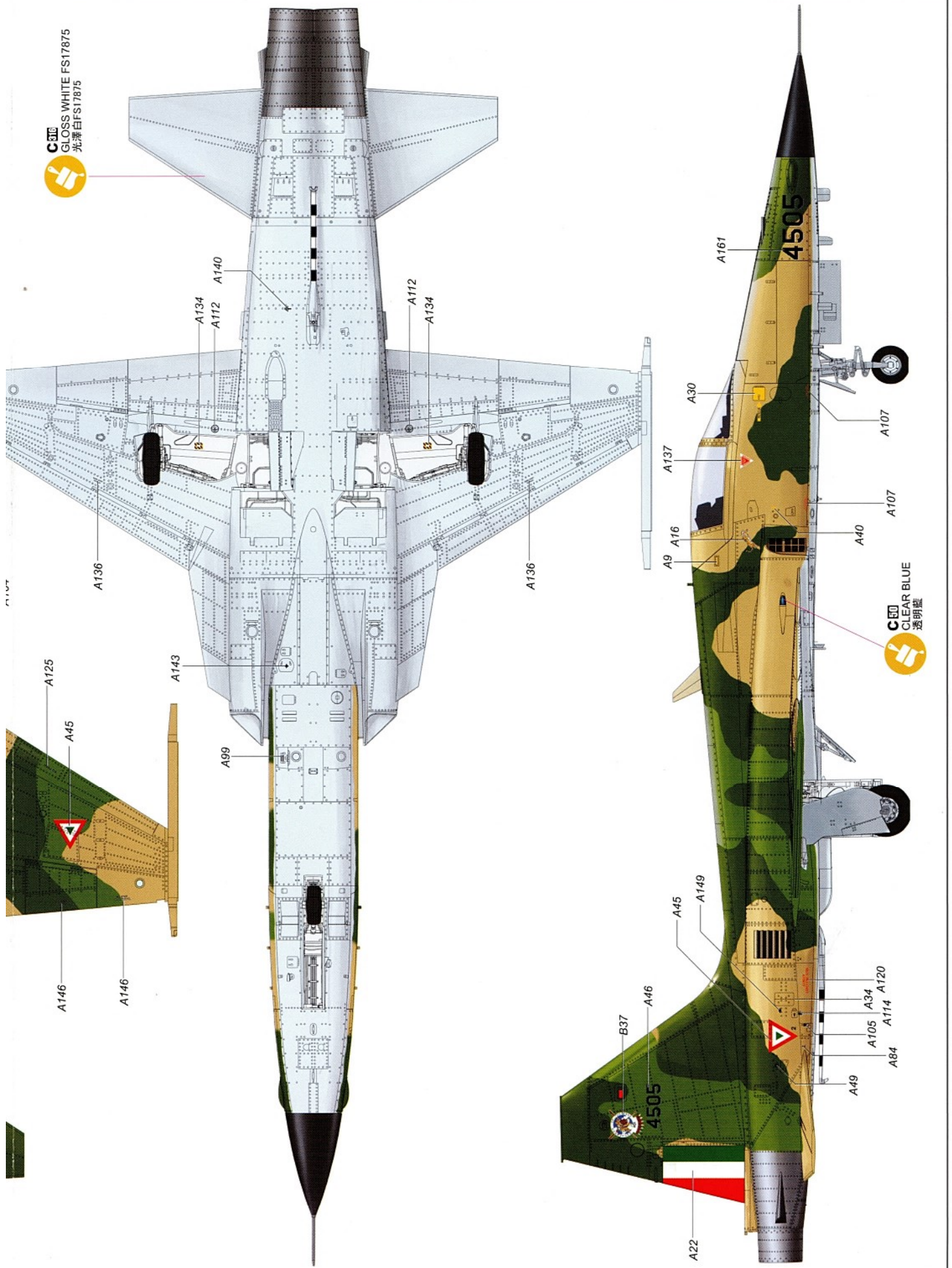
CM8
SILVER
銀色

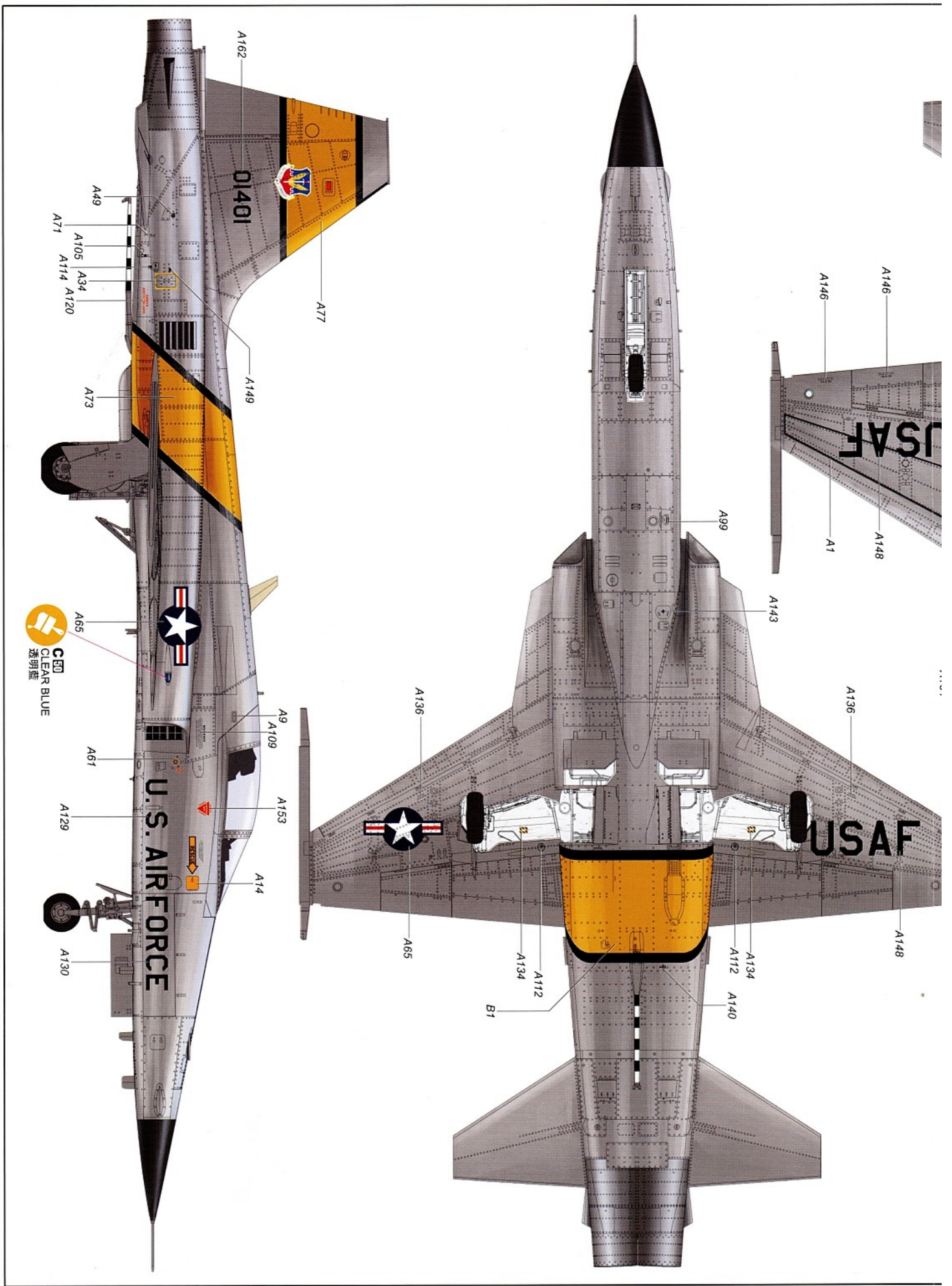
Painting & marking Guide

塗裝與水貼

F-5E, Mexican Airforce.



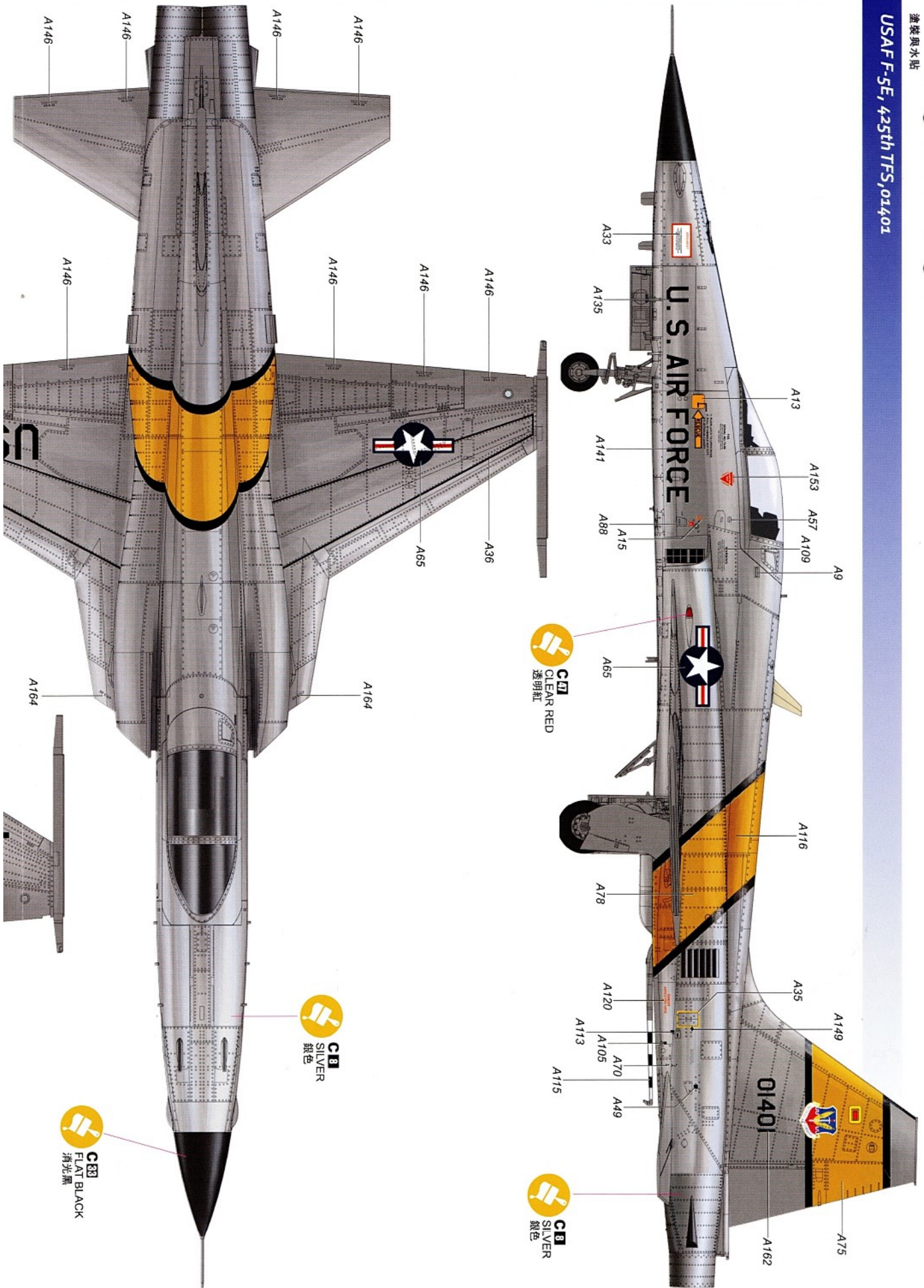




Painting & marking Guide

塗裝與水貼

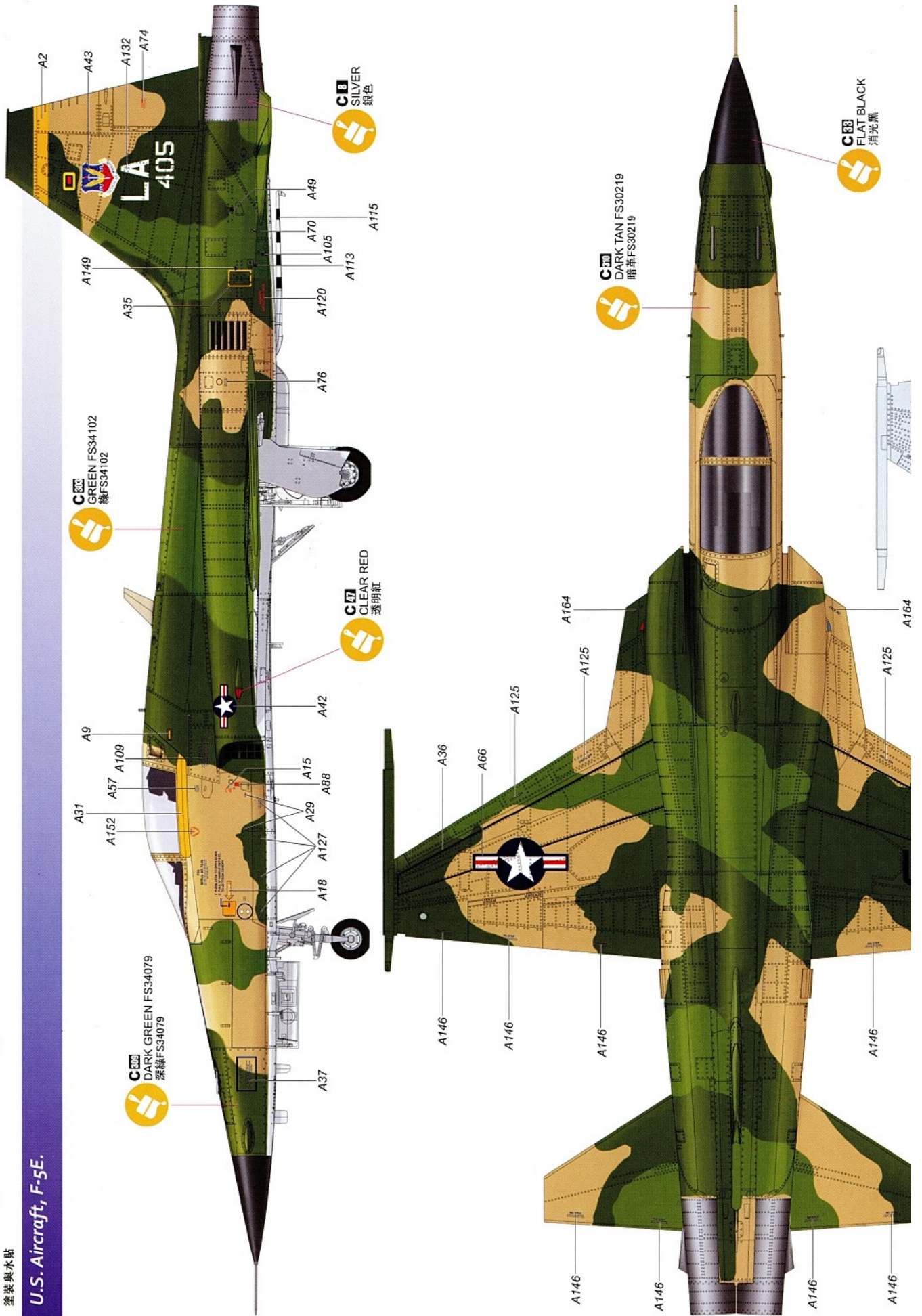
USAF F-5E, 425th TFS, 01401



Painting & marking Guide

塗裝與水貼

U.S. Aircraft, F-5E.



C100
DARK GREEN FS34079
深綠 FS34079

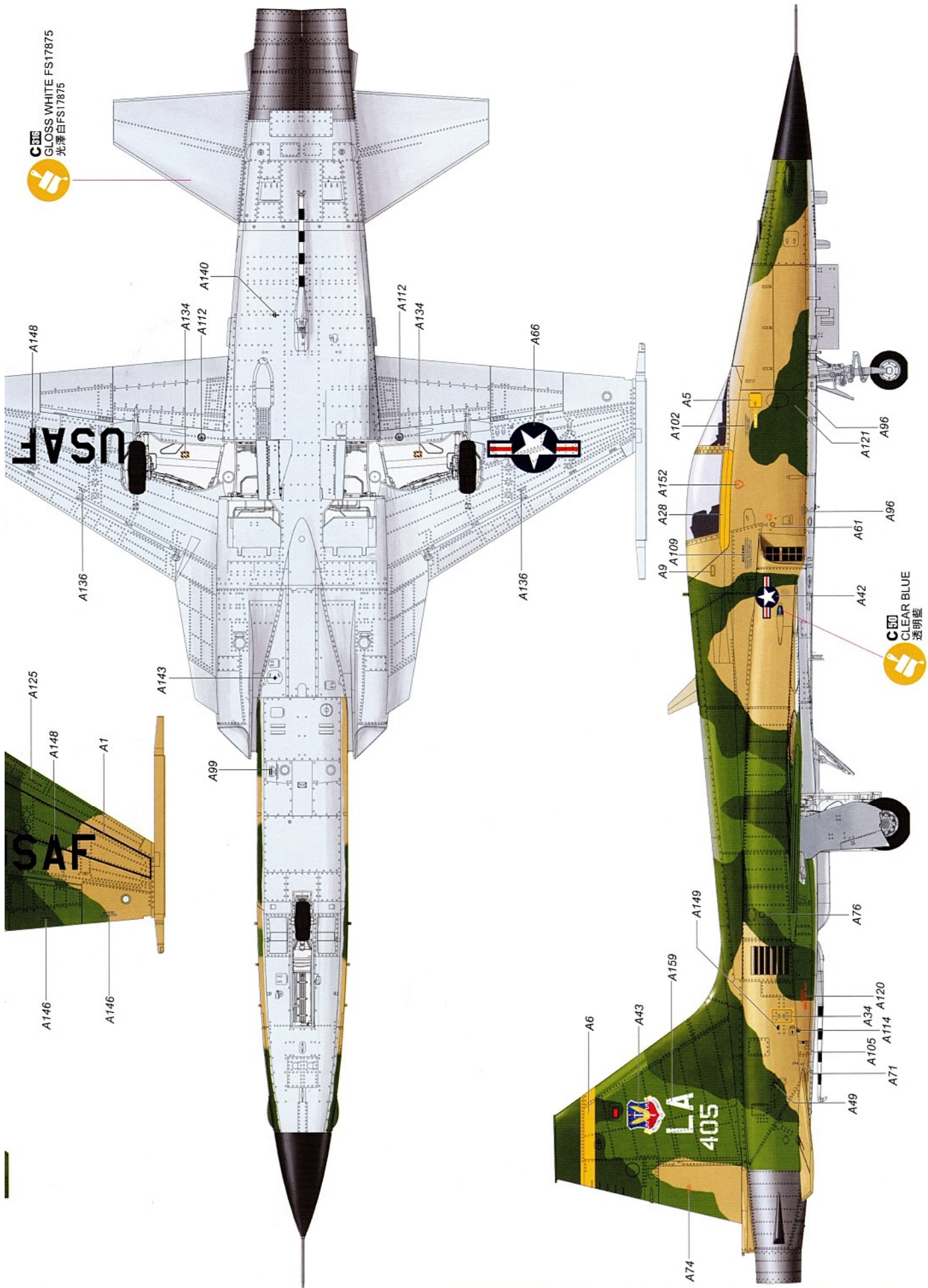
C303
GREEN FS34102
綠 FS34102

C17
CLEAR RED
透明紅

C18
SILVER
銀色

C20
DARK TAN FS30219
暗黃 FS30219

C33
FLAT BLACK
消光黑



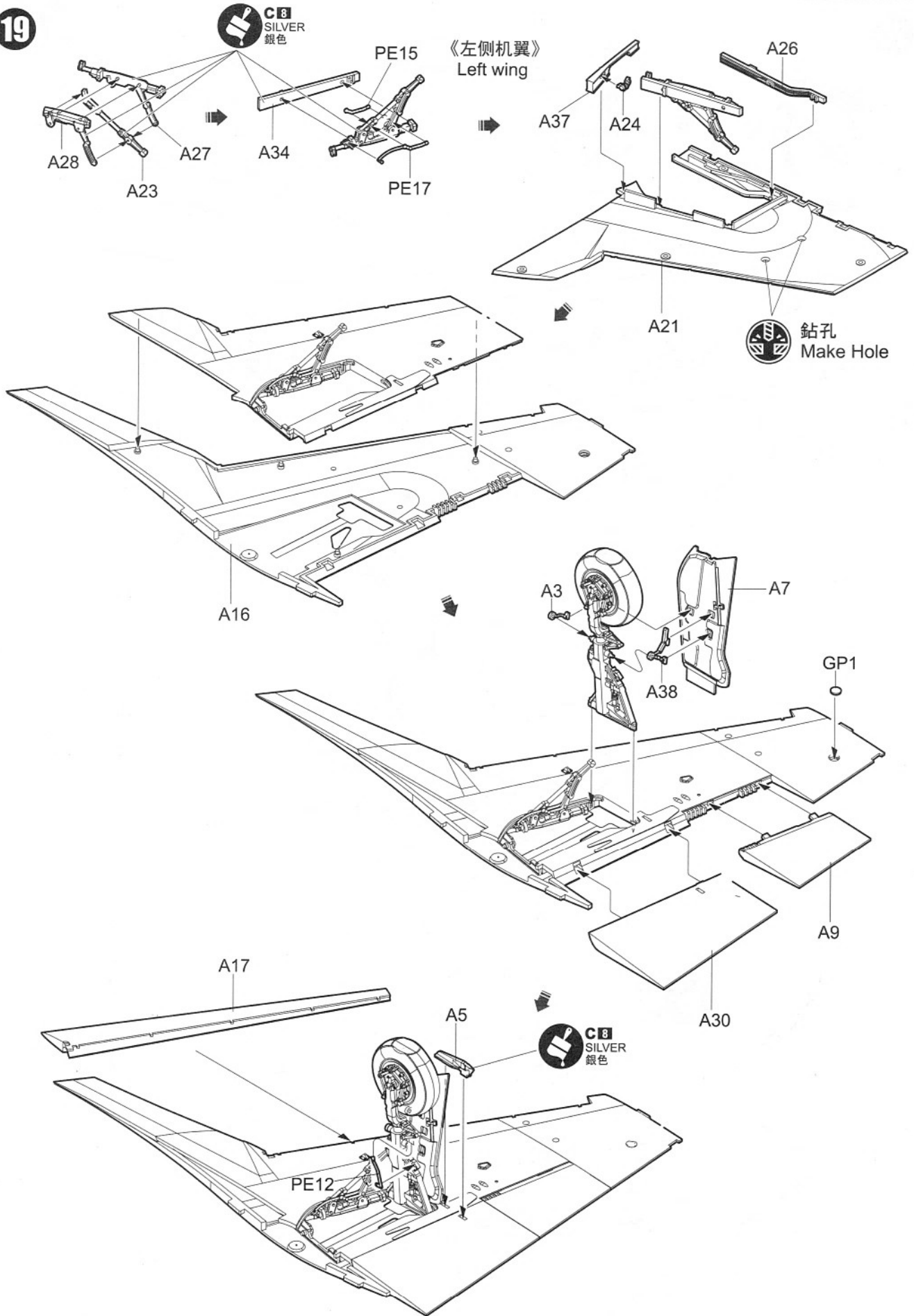
C50
GLOSS WHITE FS17875
光澤白FS17875

C50
CLEAR BLUE
透明藍

19

C8 SILVER 銀色

《左侧机翼》
Left wing

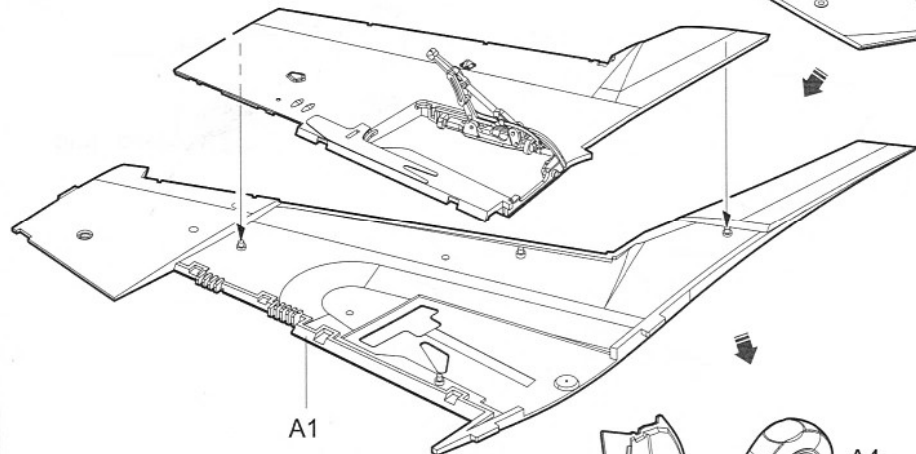
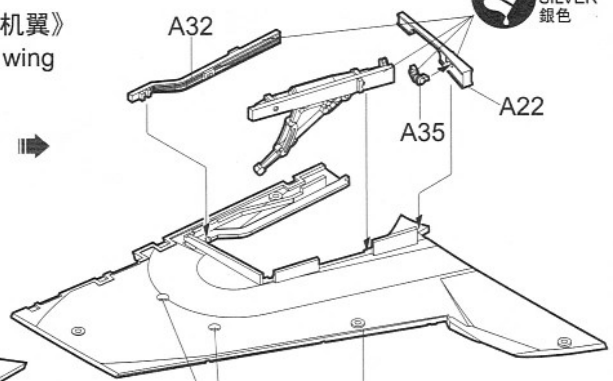
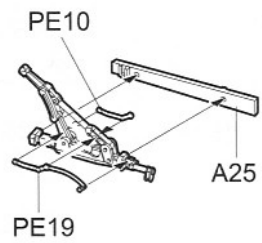
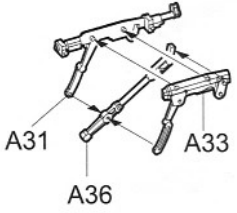


20

C8 SILVER 銀色

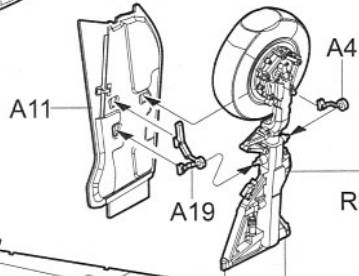
《右侧机翼》
Right wing

A32



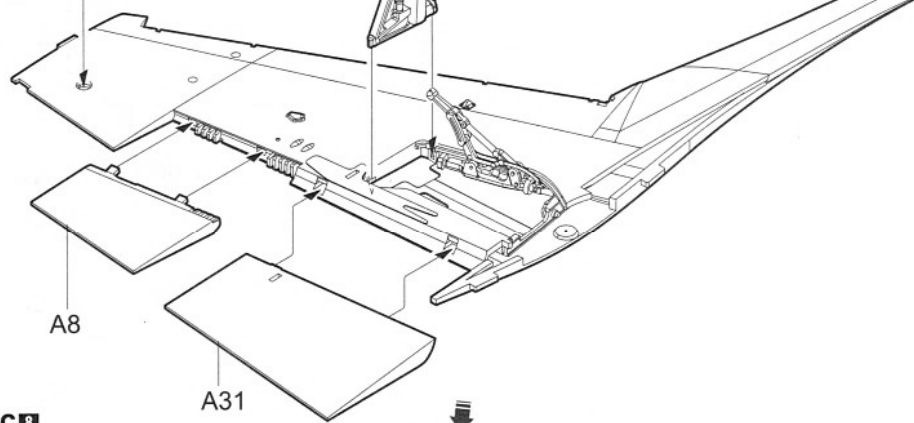
鉗孔
Make Hole

A40



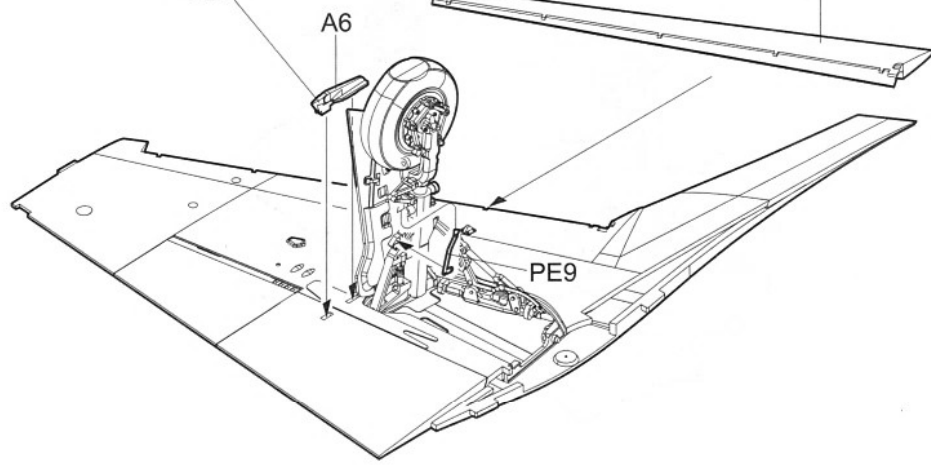
《右侧主起落架》
Right main undercarriage

GP1



C8 SILVER 銀色

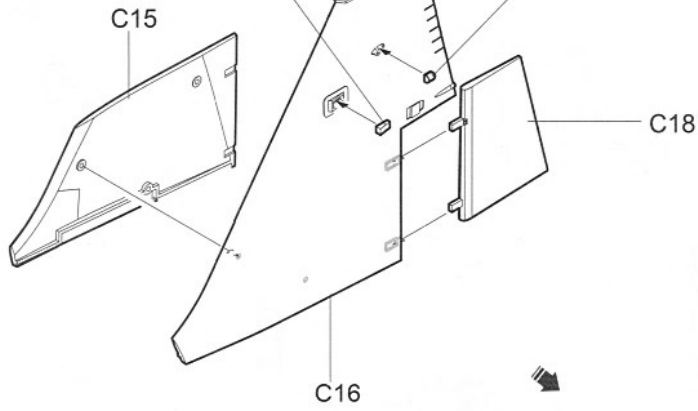
A41



21

↔ 對側相同
Both sides
GP7

↔ 對側相同
Both sides
GP3

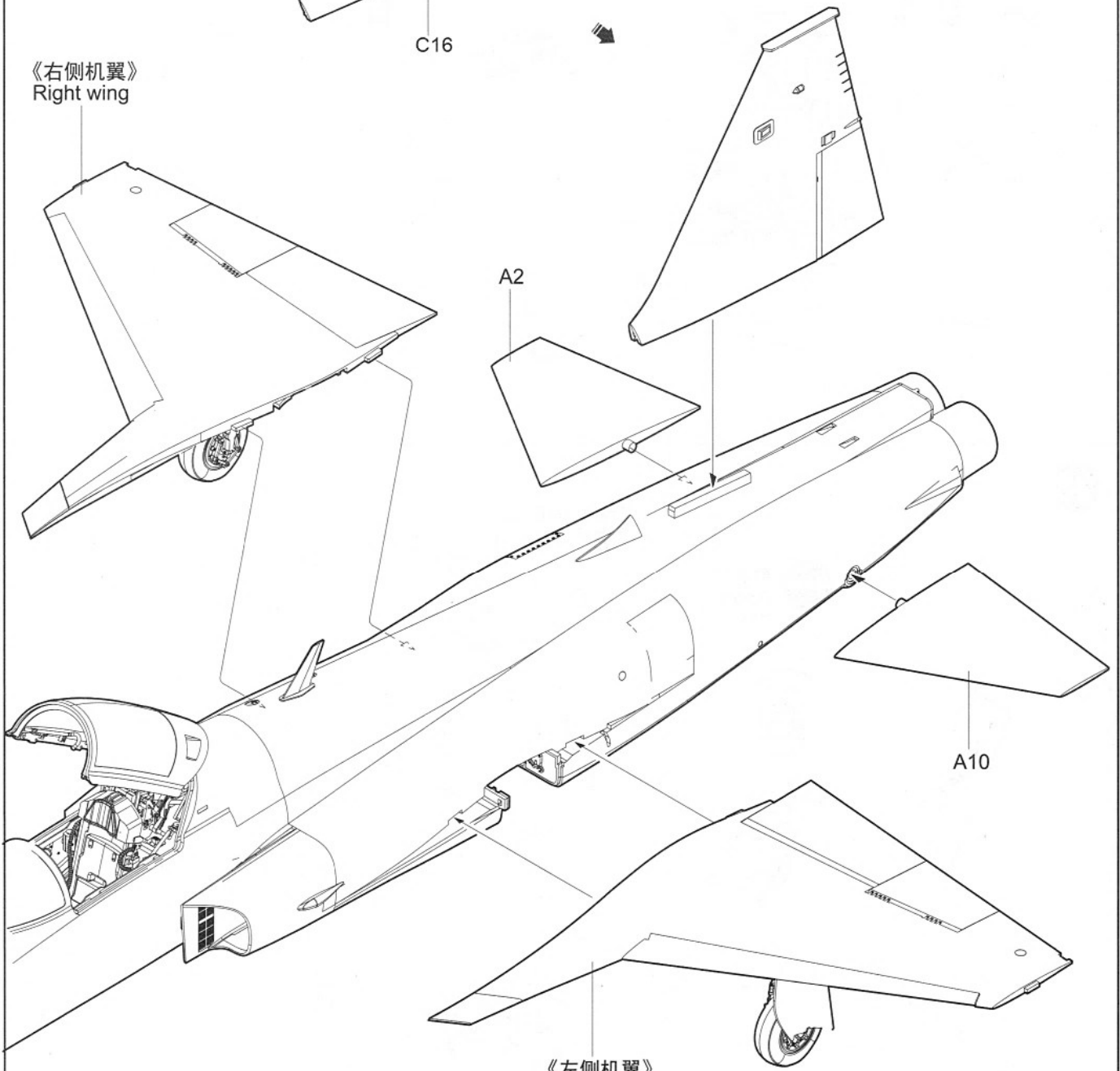


《右侧机翼》
Right wing

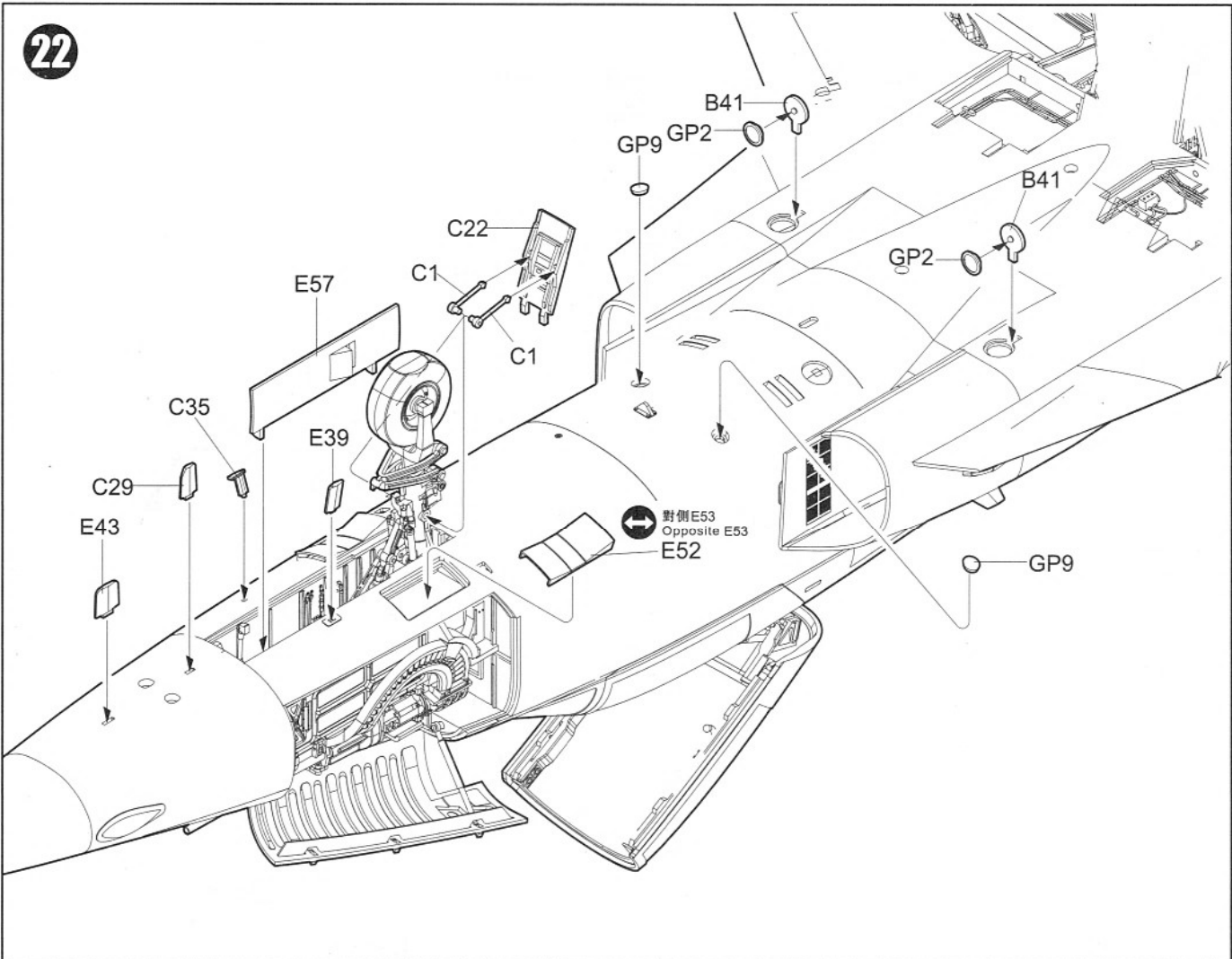
A2

A10

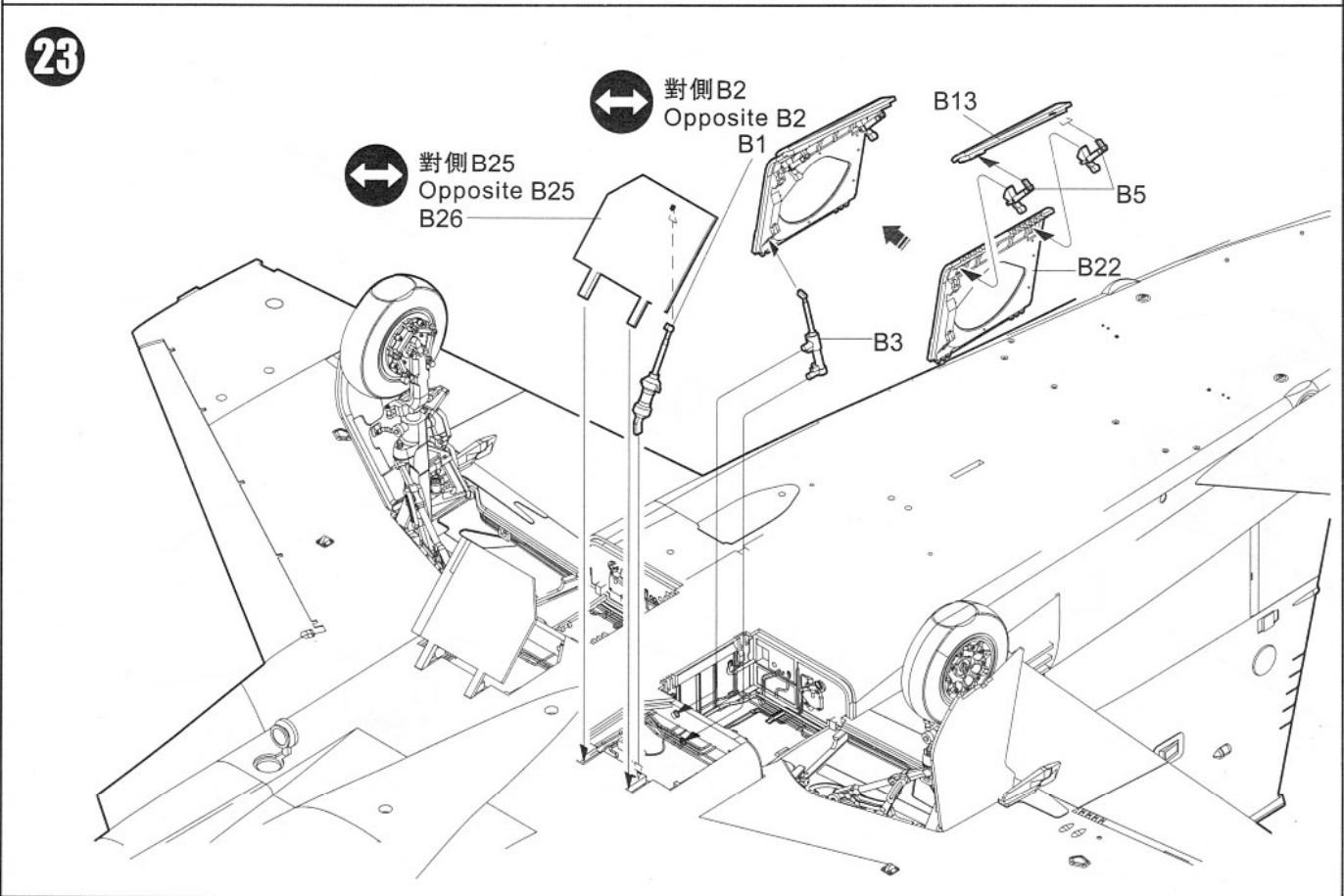
《左侧机翼》
Left wing

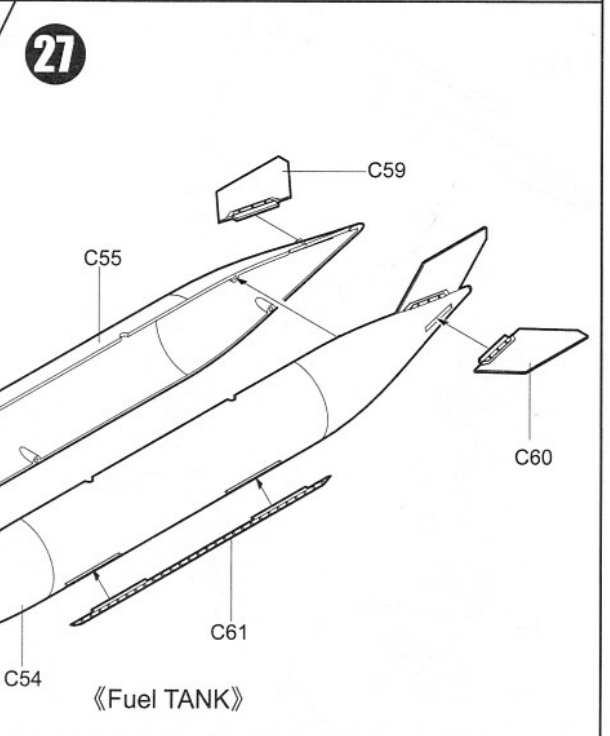
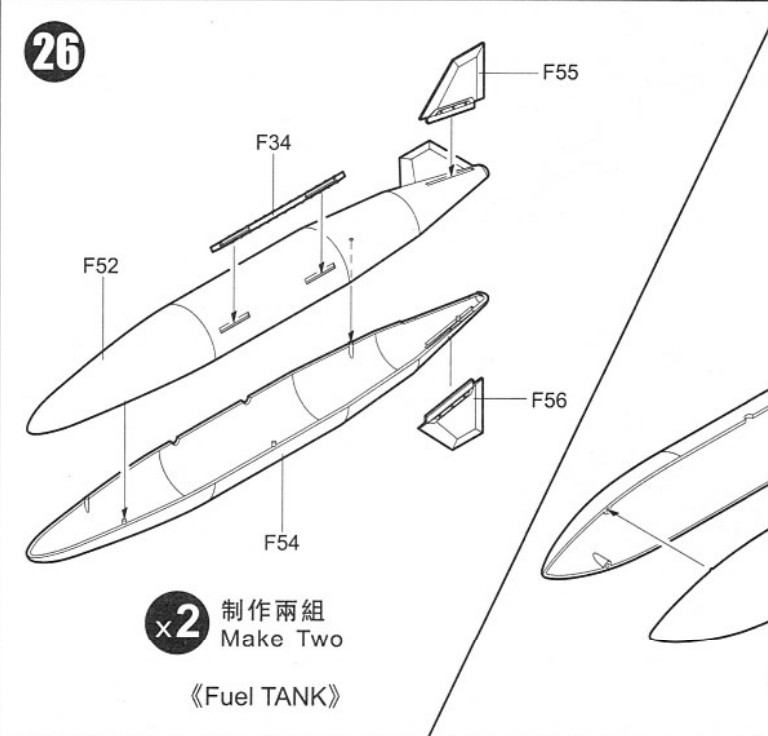
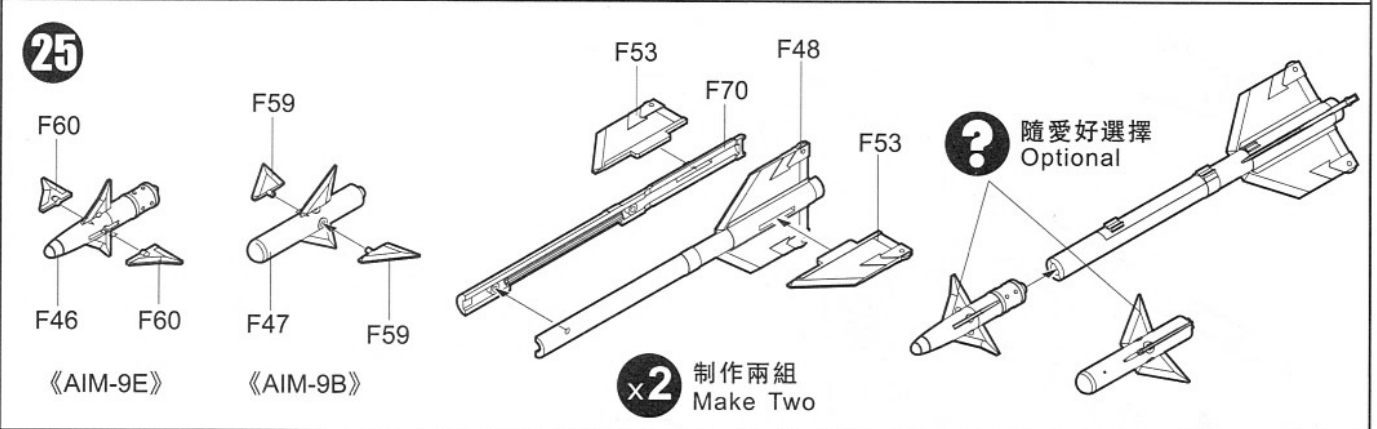
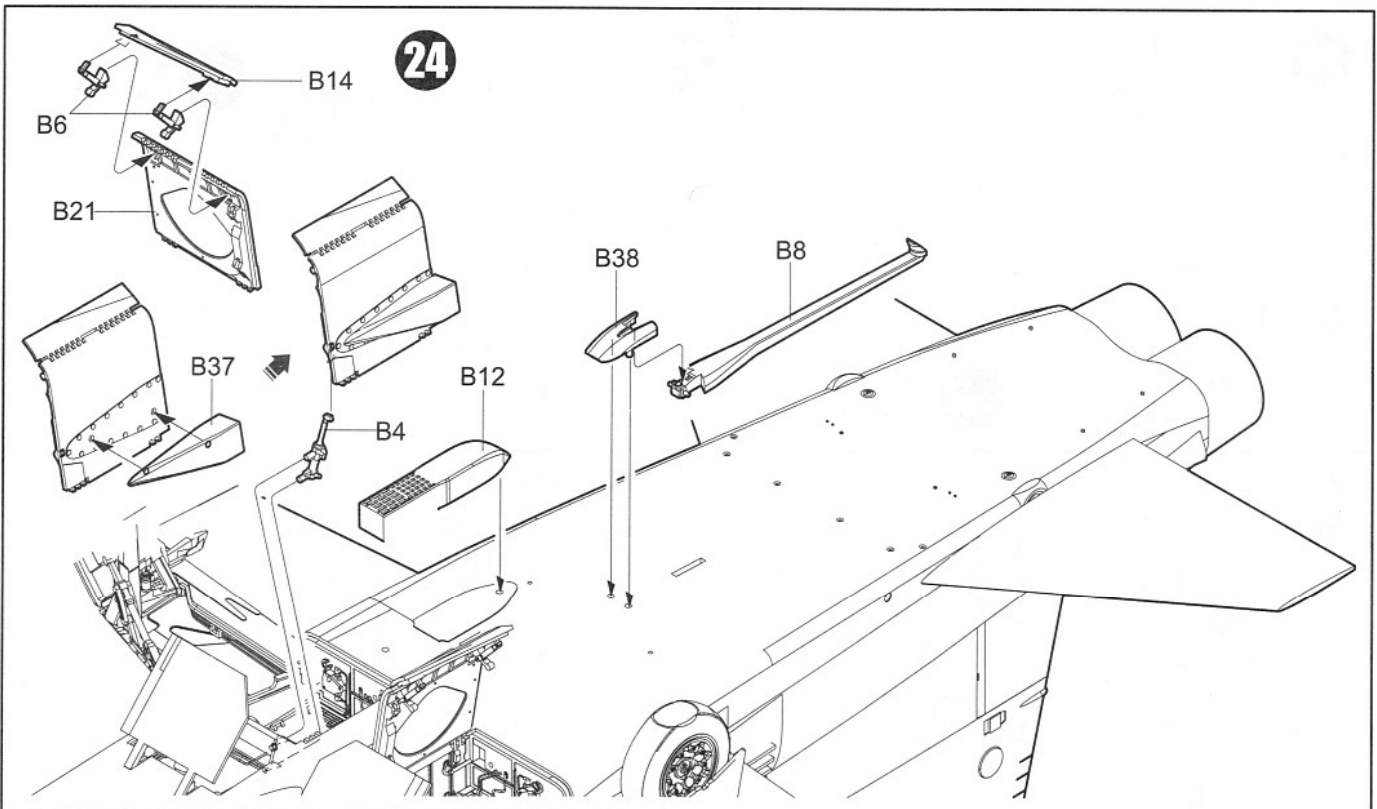


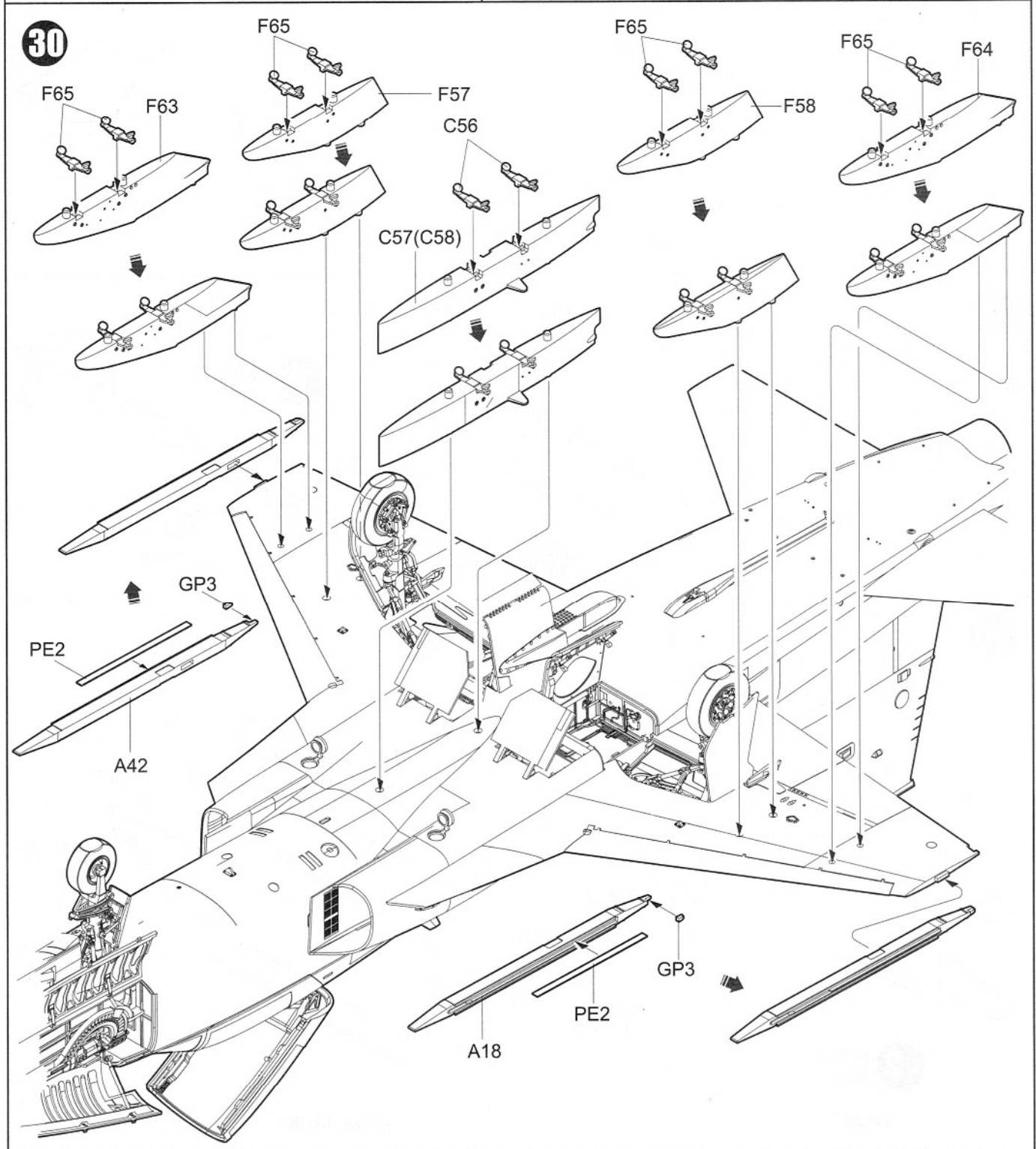
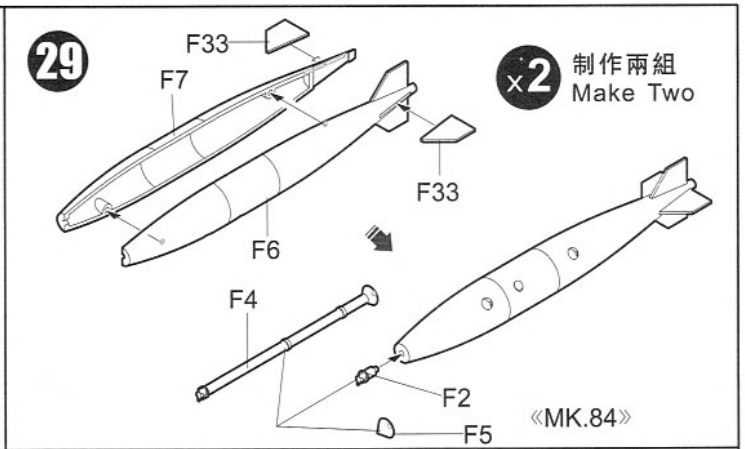
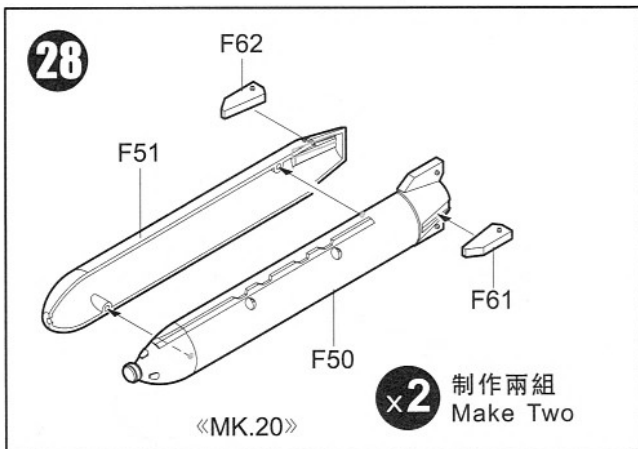
22



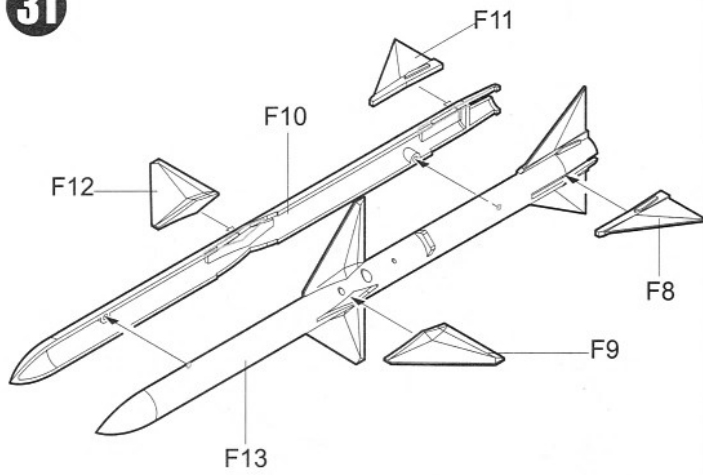
23





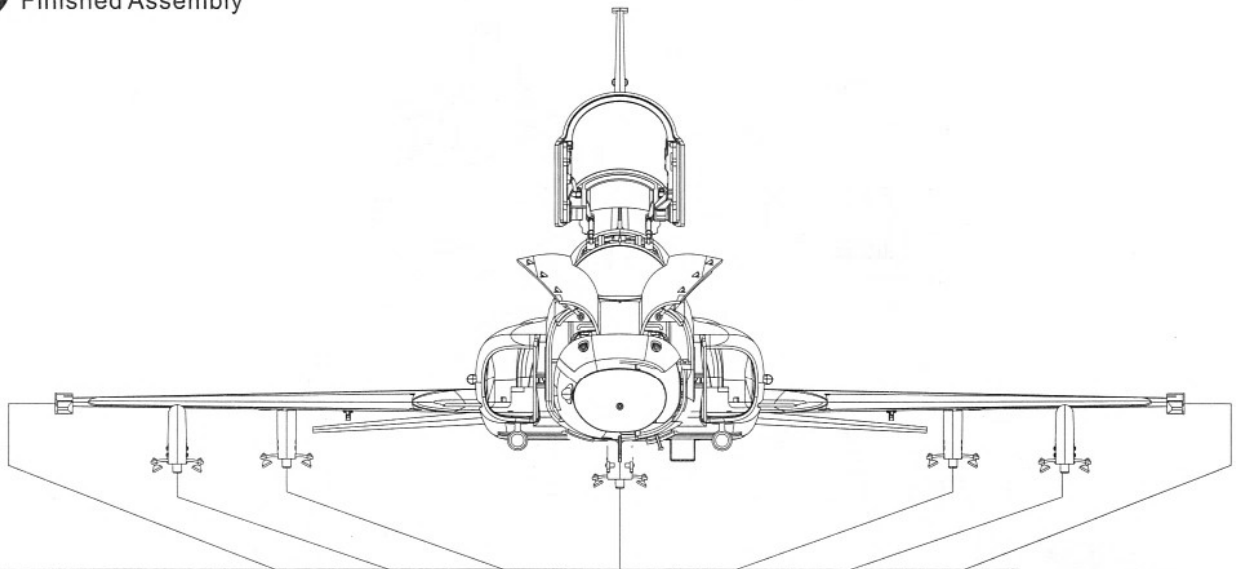


31

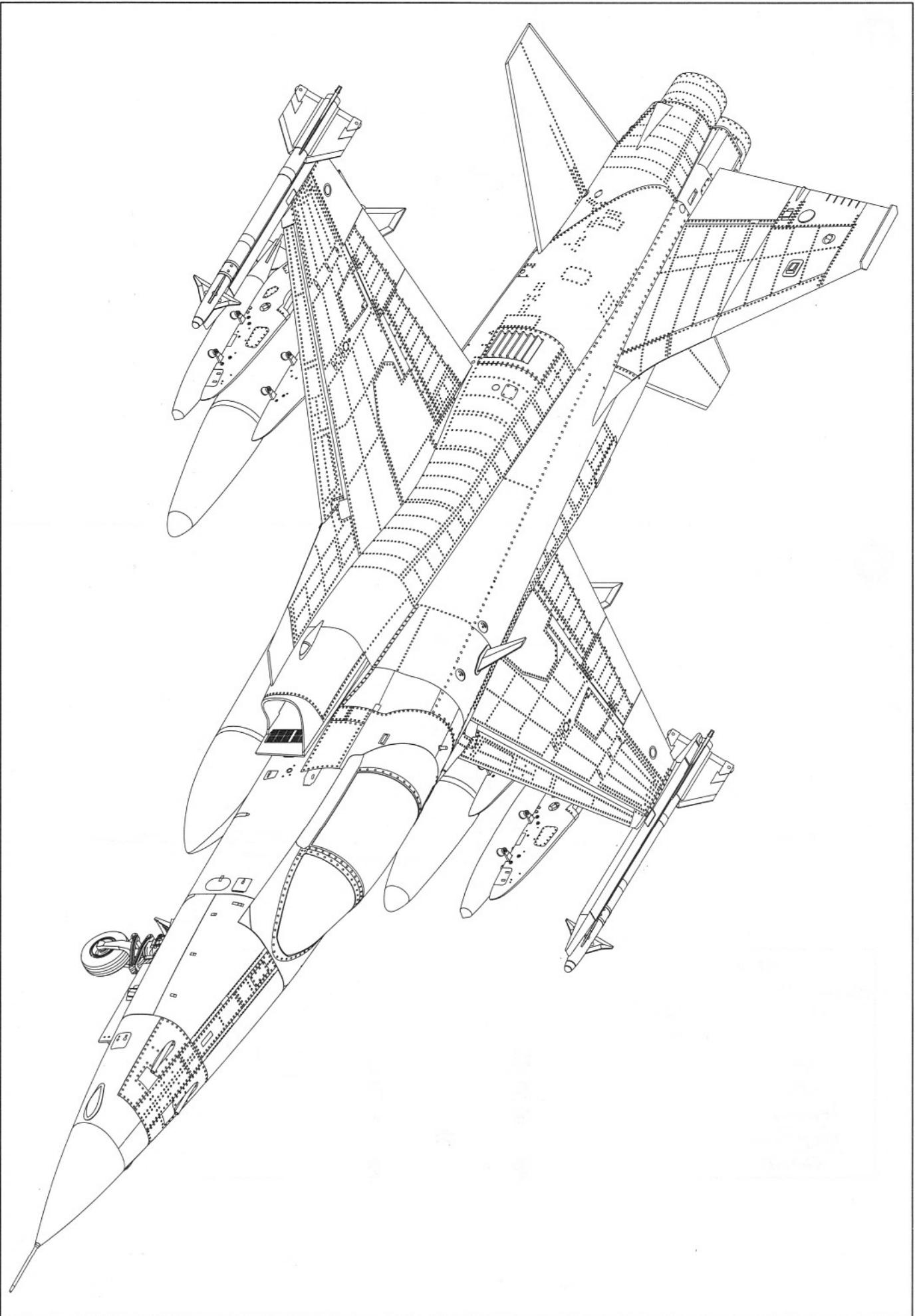


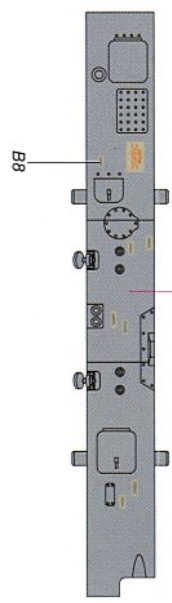
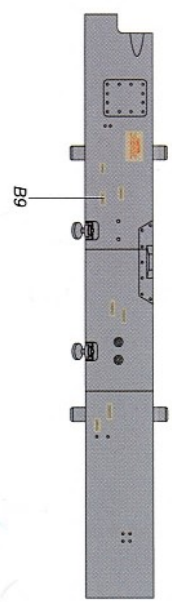
《AIM-7》

✓ 組合完成
Finished Assembly



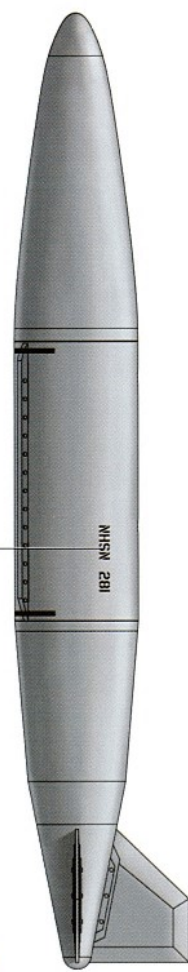
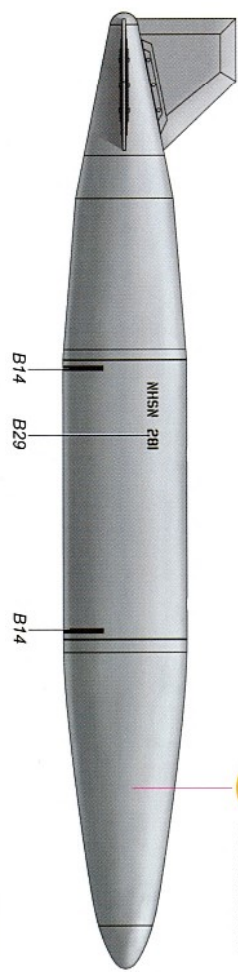
Sta.No.	1	2	3	4	5	6	7
Missile/Tank							
《AIM-9E》	●						●
《AIM-9B》	●						●
《MK.20》			●		●		
《MK.84》			●		●		
《Fuel TANK》			●		●		
《Fuel TANK》				●			
《AIM-7》			●		●		



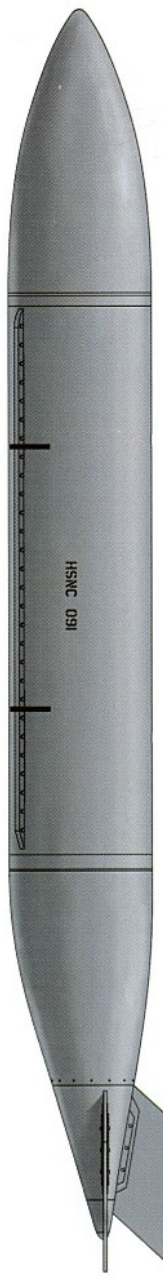


C20
OLIVE GREEN
橄欖綠

C333
LIGHT GRAY FS36495
淺灰色



C333
LIGHT GRAY FS36495
淺灰色



Painting & marking Guide

塗裝與水貼

Missiles & TANK

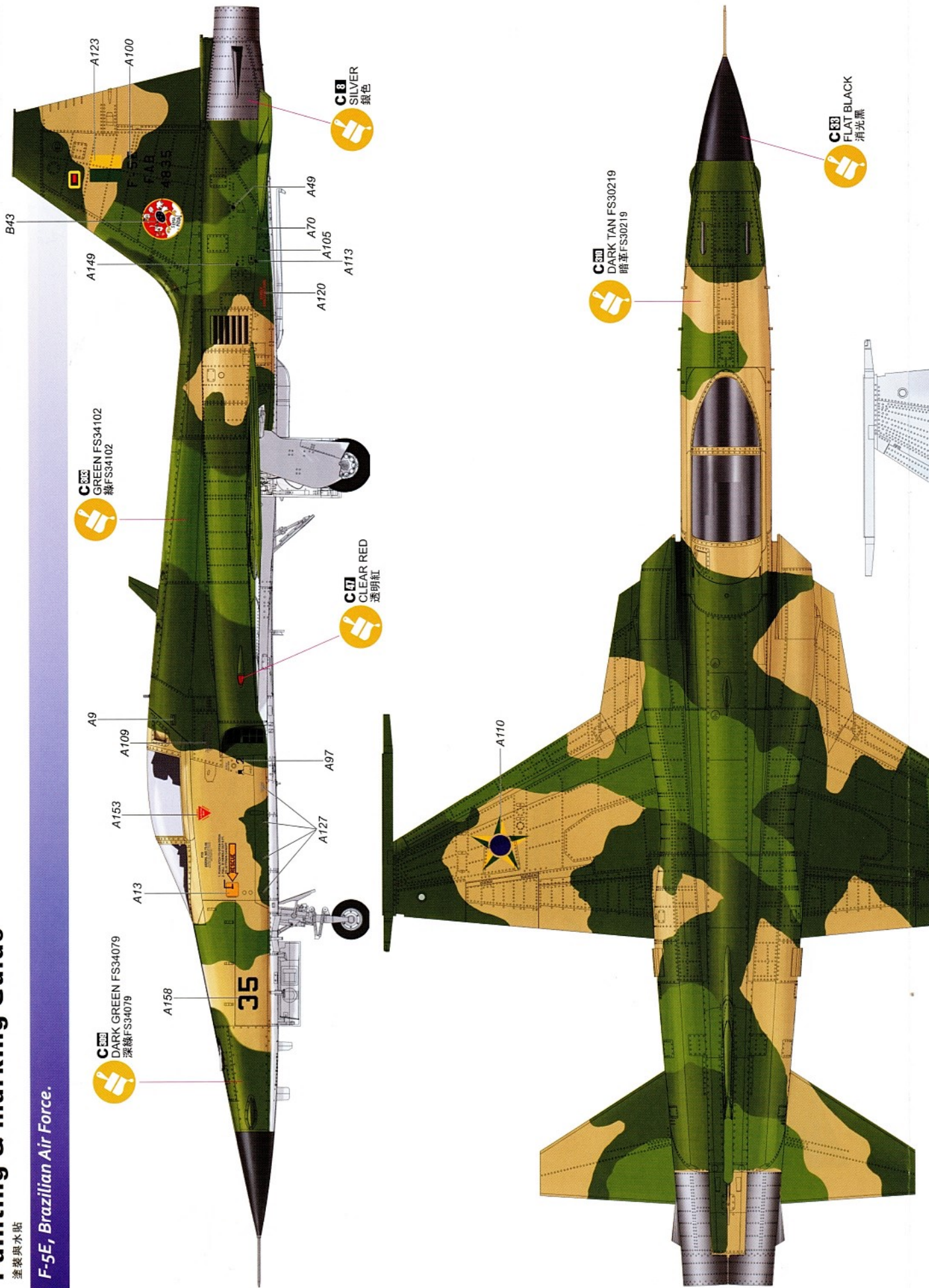
The guide illustrates the painting and marking process for missiles and tanks. It includes the following components and instructions:

- Missile Bodies:**
 - Top and bottom views of the missile body are shown with marking codes B17, B16, and B15. The body is painted with GLOSS WHITE FS17875 (光澤白FS17875).
 - Orange and red stripes are applied to the body.
- Tank Bodies:**
 - Top and bottom views of the tank body are shown with marking codes B18 and B20.
 - The tank body is painted with GLOSS WHITE FS17875 (光澤白FS17875).
- Wings:**
 - Top and bottom views of the wings are shown with marking codes B35, B7, and B11.
 - The wings are painted with SILVER (銀色).
- Missile Nozzles:**
 - Top and bottom views of the missile nozzles are shown with marking code B13.
 - The nozzles are painted with SILVER (銀色).
- Missile Motors:**
 - Top and bottom views of the missile motors are shown with marking code B34.
 - The motors are painted with GLOSS WHITE FS17875 (光澤白FS17875).
- LAIRCRAFT GREY:**
 - The LAIRCRAFT GREY BS381C/627 (塗裝機灰 BS381C/627) is used for the nose and tail sections of the missile.

Painting & marking Guide

塗裝與水貼

F-5E, Brazilian Air Force.





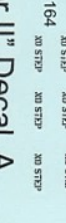
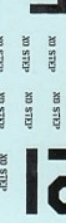
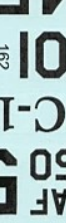
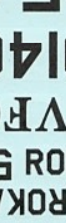
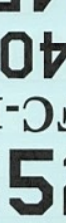
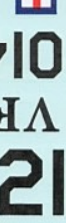
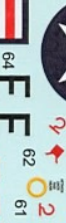
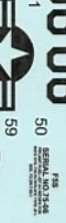
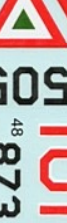
C50
GLOSS WHITE FS17875
光澤白FS17875

C50
CLEAR BLUE
透明藍

- 1
- 2
- 3 RESCUE
- 4
- 5
- 6
- 7
- 8
- 9
- 10
- 11
- 12
- 13
- 14
- 15
- 16
- 17
- 18
- 19
- 20
- 21
- 22
- 23
- 24
- 25
- 26
- 27
- 28
- 29
- 30
- 31
- 32
- 33
- 34
- 35
- 36

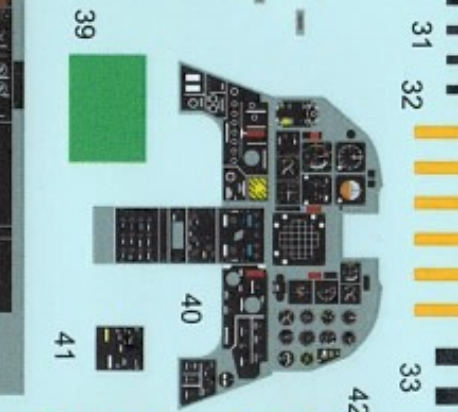
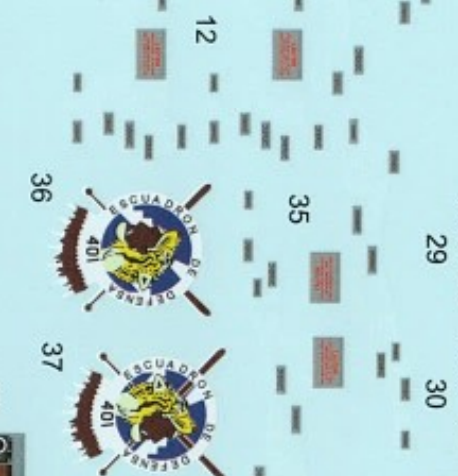
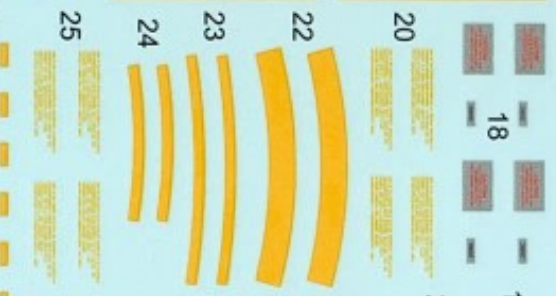


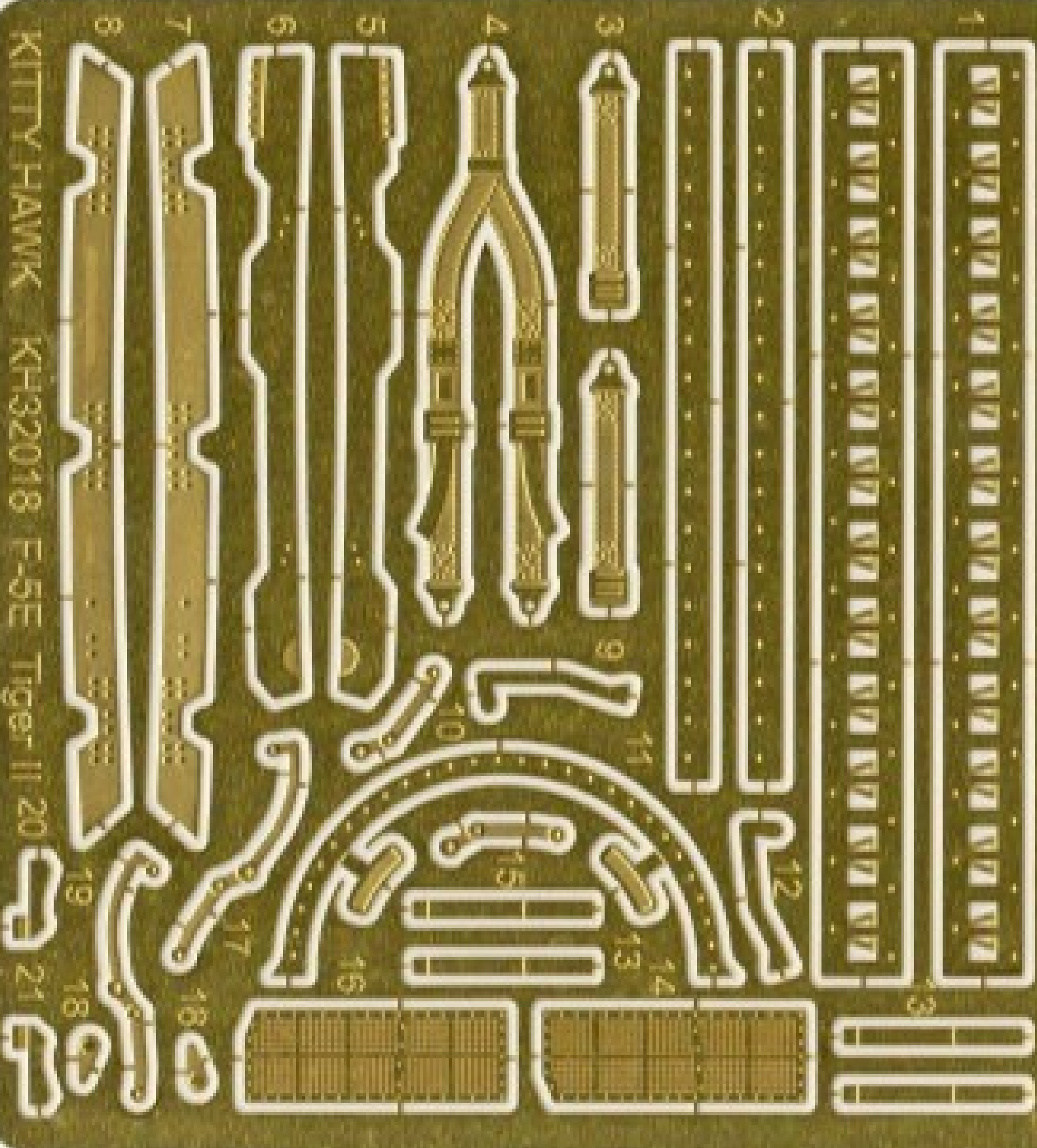
29
U.S. AIR FORCE U.S. AIR FORCE





NHSN 281 HSNC 091
 NHSN 281 HSNC 091
 NHSN 281 HSNC 091
 NHSN 281 HSNC 091





KITTY HAWK KH32018 F-5E Tiger II 20