



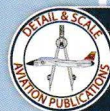
1:48 scale

F9F-8 & F9F-8P

"COUGAR"

拼装說明書

Instruction



RESEARCH MATERIALS
PROVIDED BY
DETAIL & SCALE

www.detailandscale.com



Please visit our web site at
www.kittyhawkmodel.com

Instruction



F9F-8 & F9F-8P "美洲獅"

Item No.KH80127

READ BEFORE ASSEMBLY

在組合您的模型之前，請充分閱讀本冊說明書。組合模型您需要如下物品（需另購）：模型膠水；一把模型鉗或一把用於將零件從框架上切下的模型筆刀。筆刀同樣可以用來修整零件的合模綫。祝您制作愉快！

Before assembling your model kit, read through these instructions carefully. To assemble this kit, you will need Plastic glue (not include). A pair of side cutter or a sharp modelling knife is required for removing parts from the frame. Plastic mould lines can be removed with the modelling knife.

- 

請注意
Special instructions
- 

隨愛好選擇
Optional
- 

組合完成
Finished Assembly
- 

制作兩組
Make Two
- 

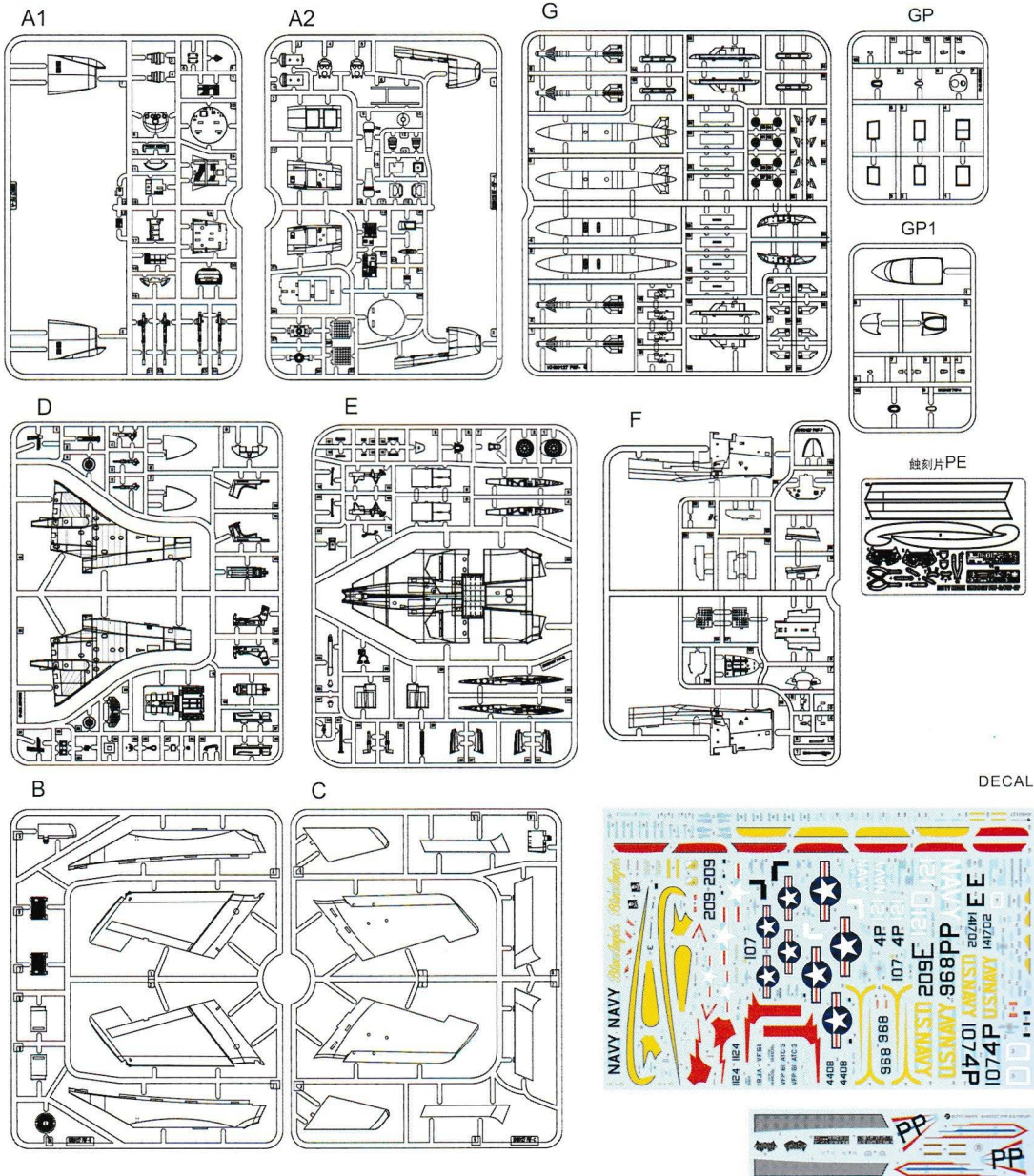
配重
Weight
- 

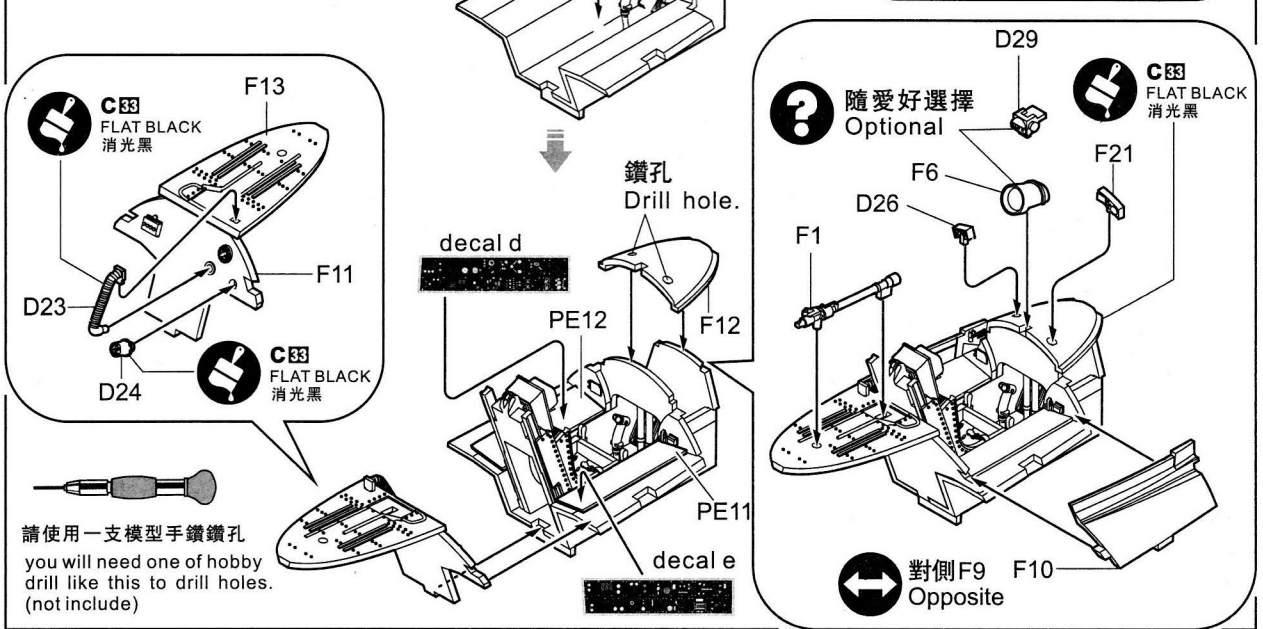
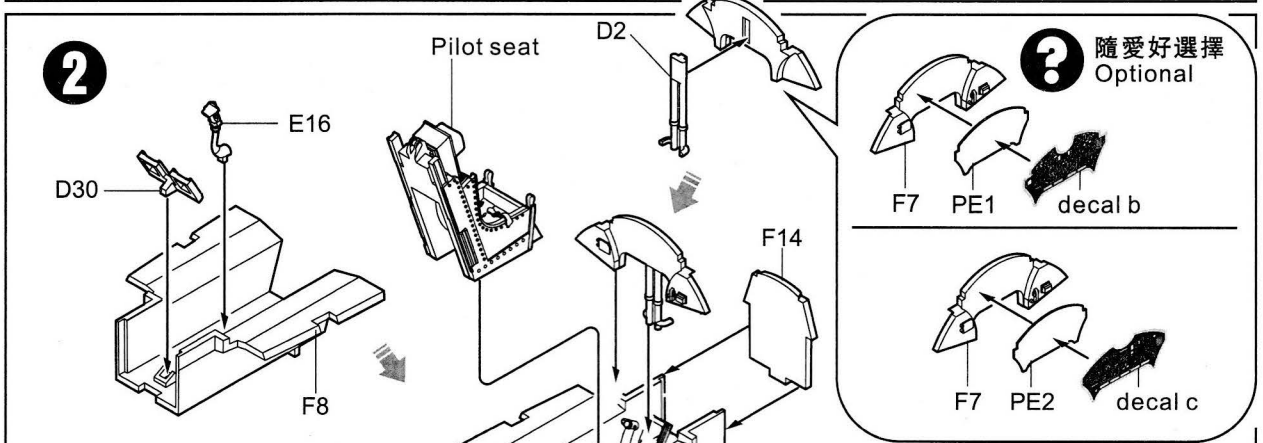
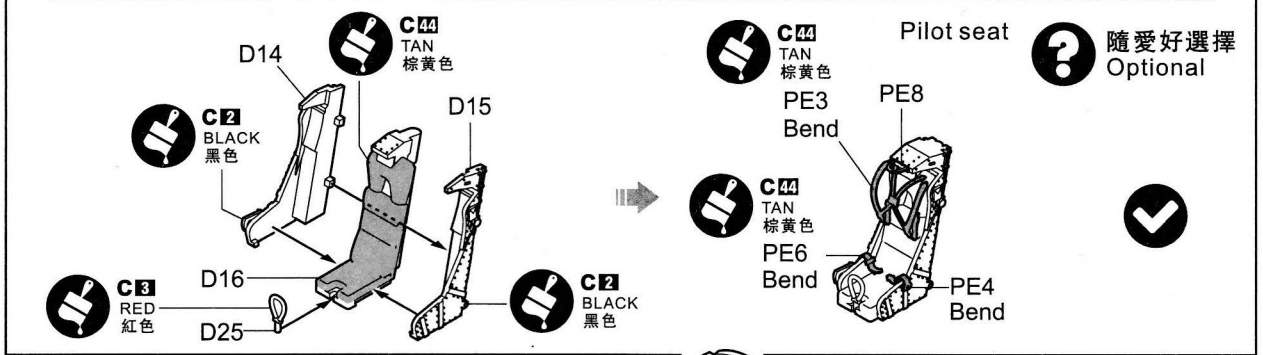
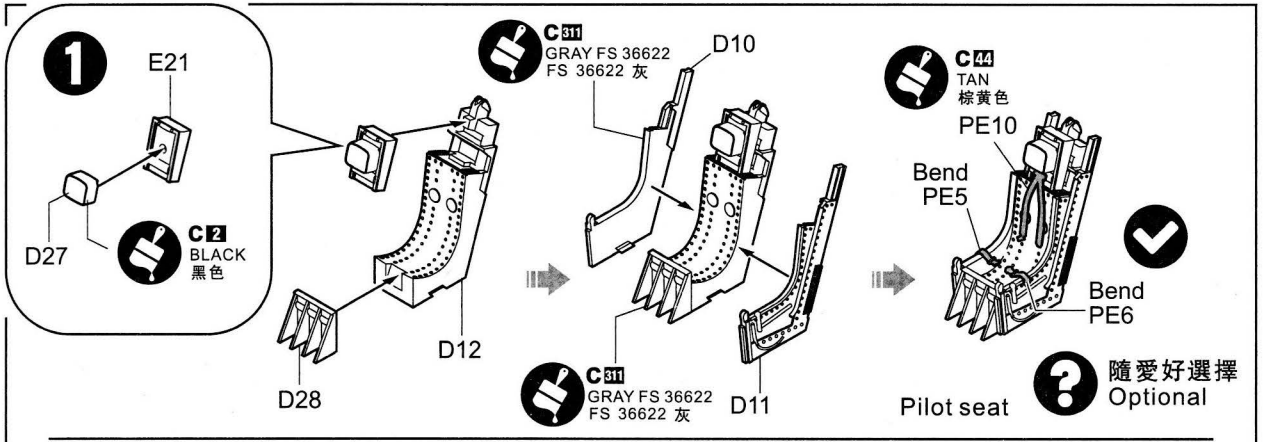
塗色
Painting
- 

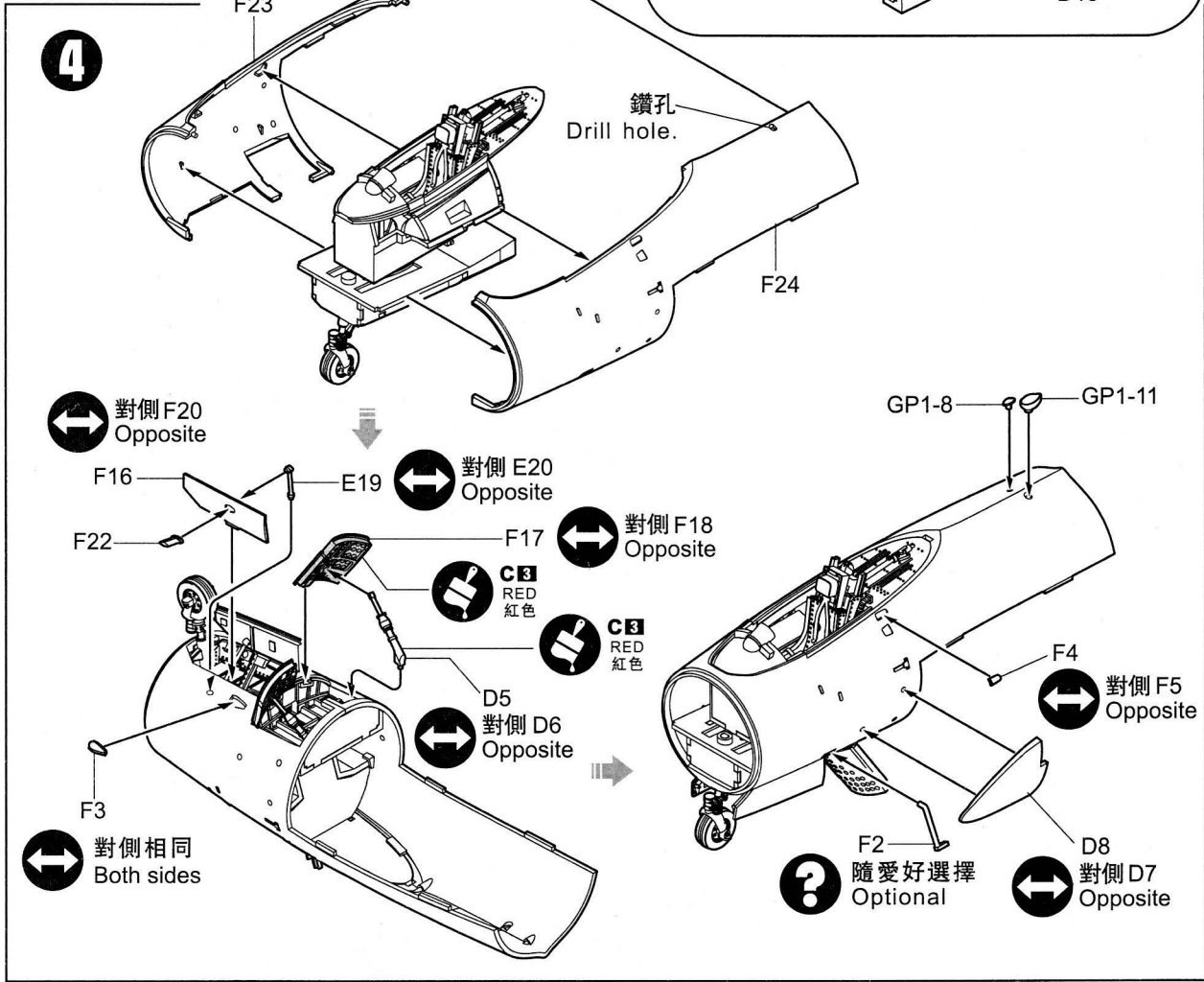
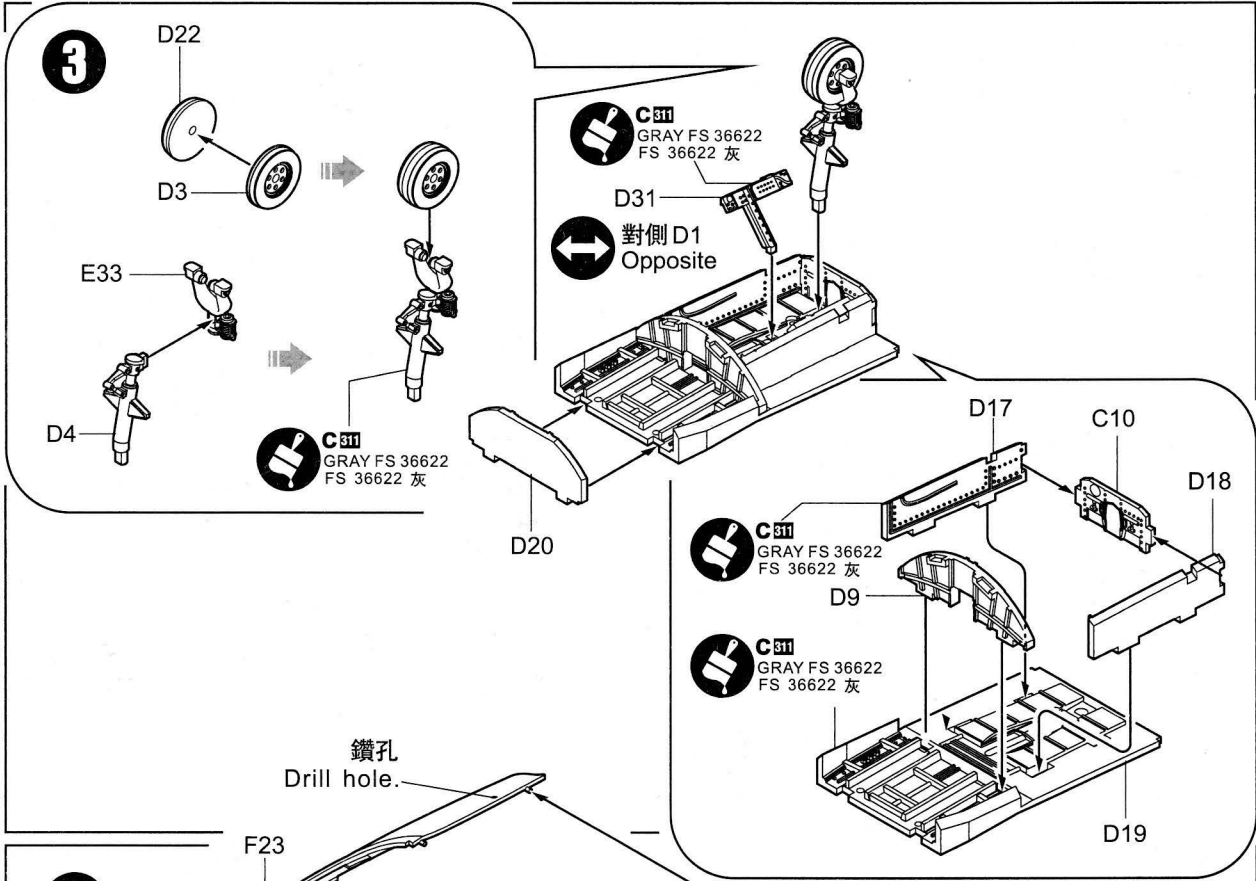
無需膠粘
Do Not Cement
- 

對側
Opposite

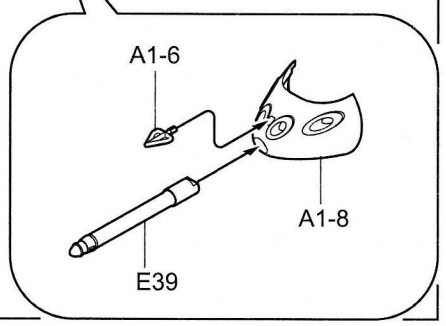
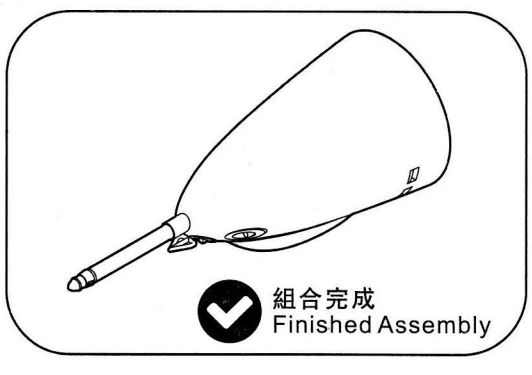
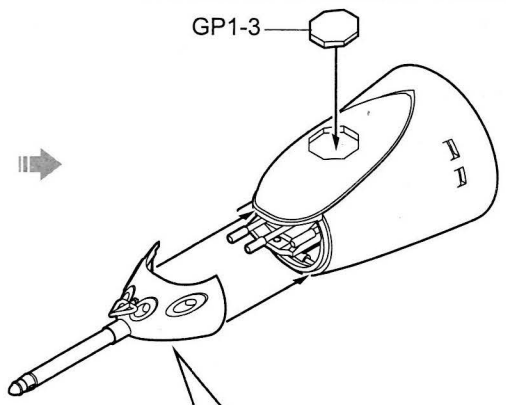
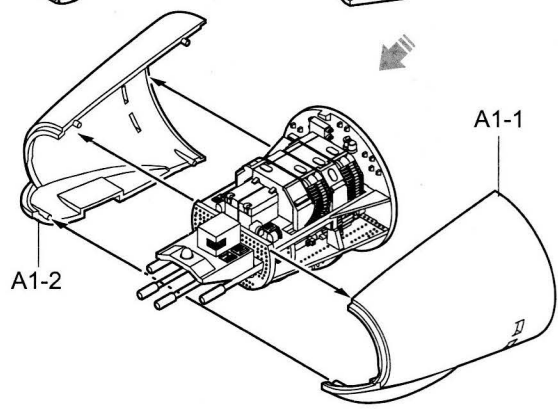
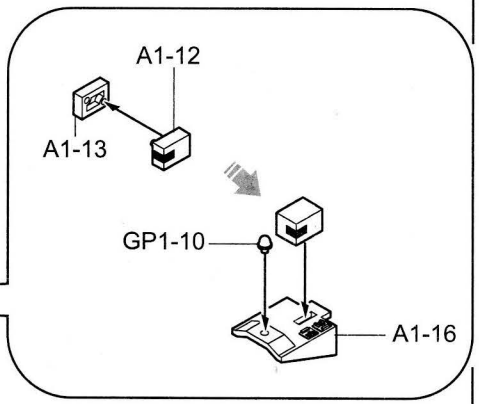
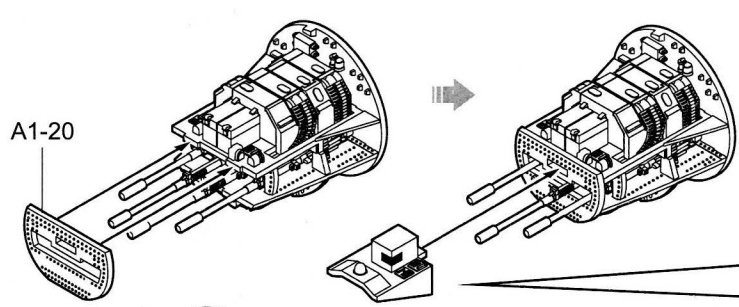
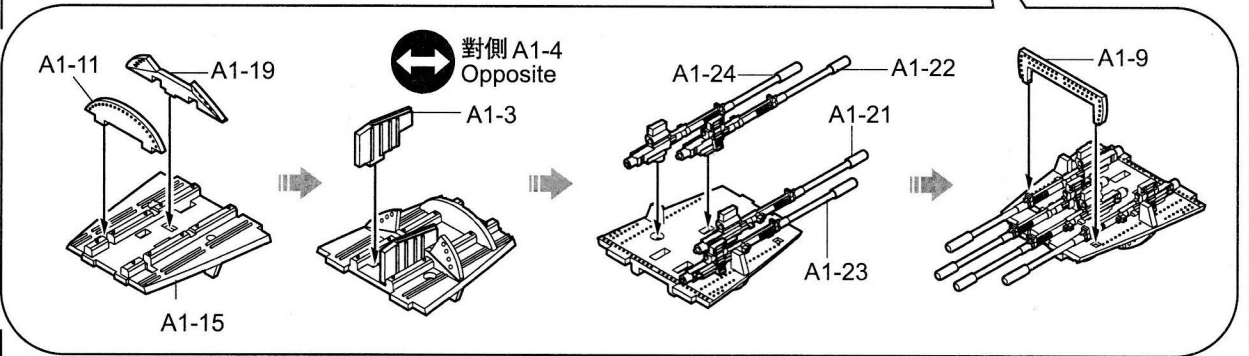
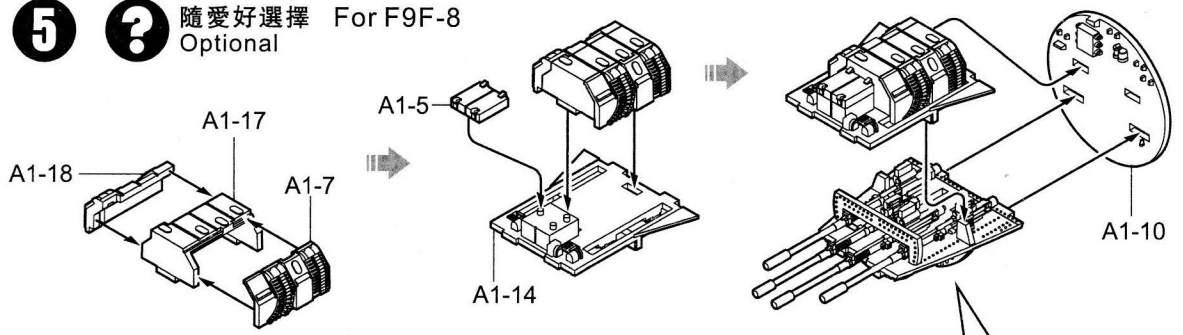
部品圖 PARTS



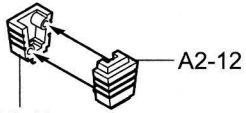




5 **?** 隨愛好選擇 For F9F-8
Optional

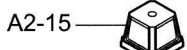


6



A2-13

A2-12



A2-15



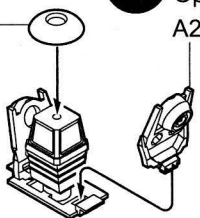
A2-27



對側 A2-5
Opposite

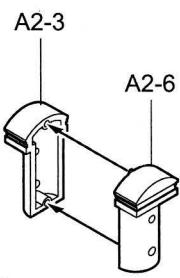
A2-10

A2-4



?

隨愛好選擇 For F9F-8P
Optional



A2-3

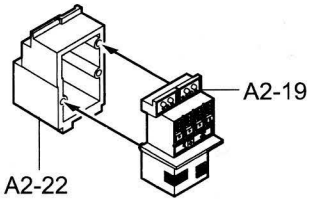
A2-6

A2-17

A2-17

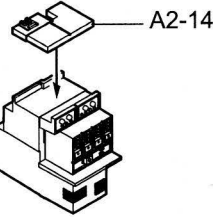
A2-18

A2-29

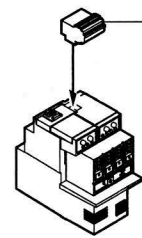


A2-22

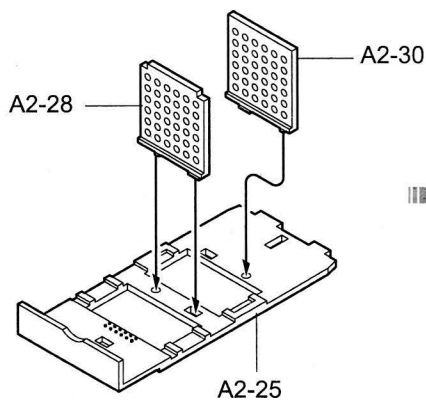
A2-19



A2-14



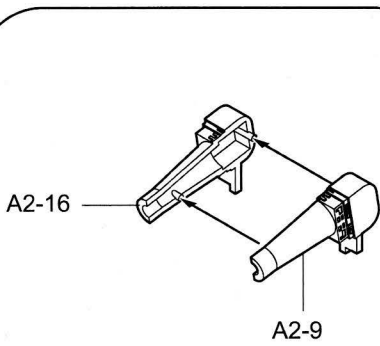
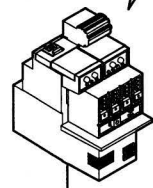
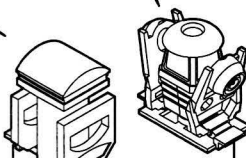
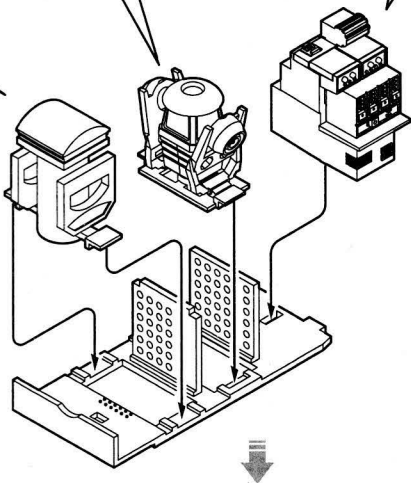
A2-24



A2-28

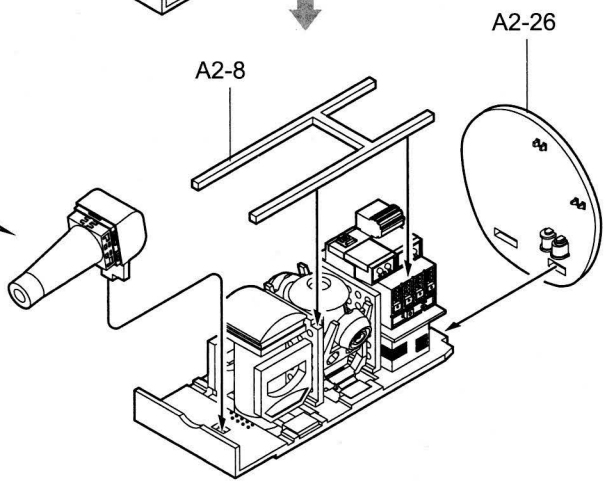
A2-30

A2-25



A2-16

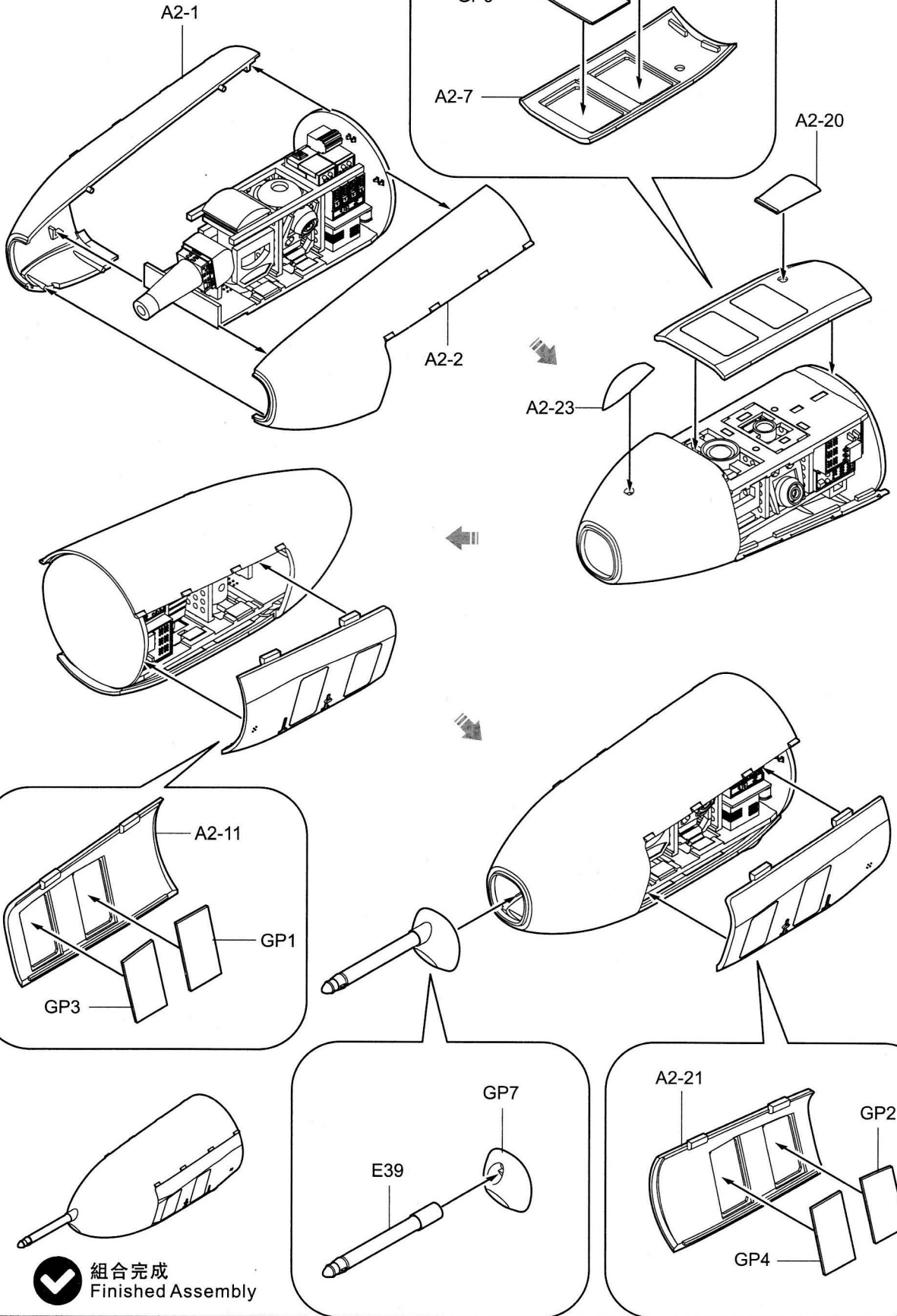
A2-9



A2-8

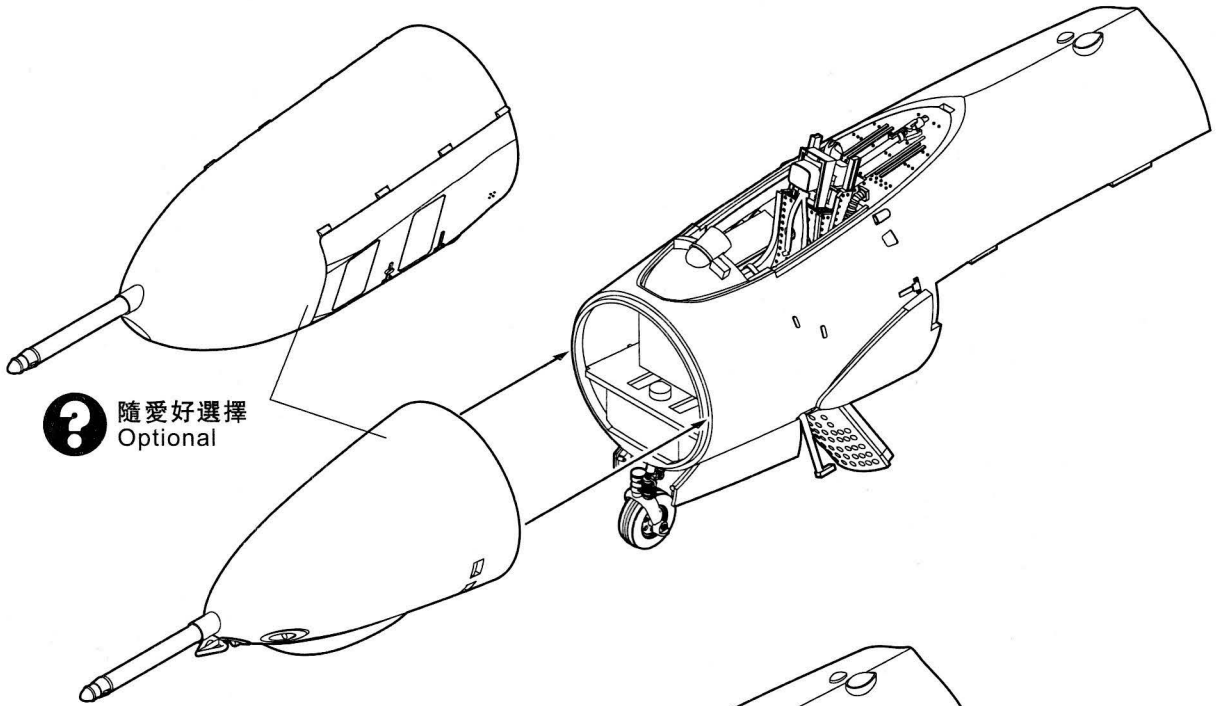
A2-26

7

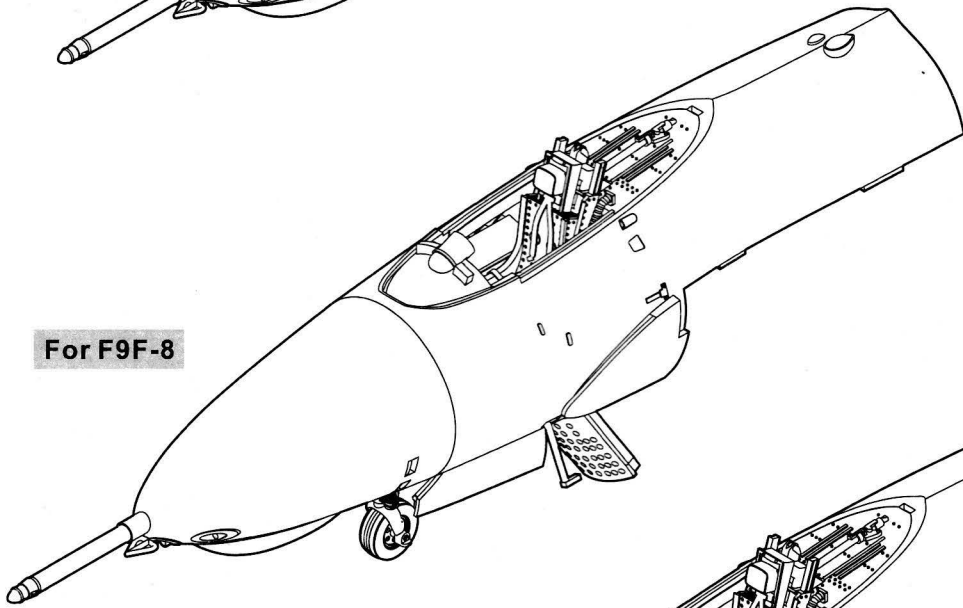


組合完成
Finished Assembly

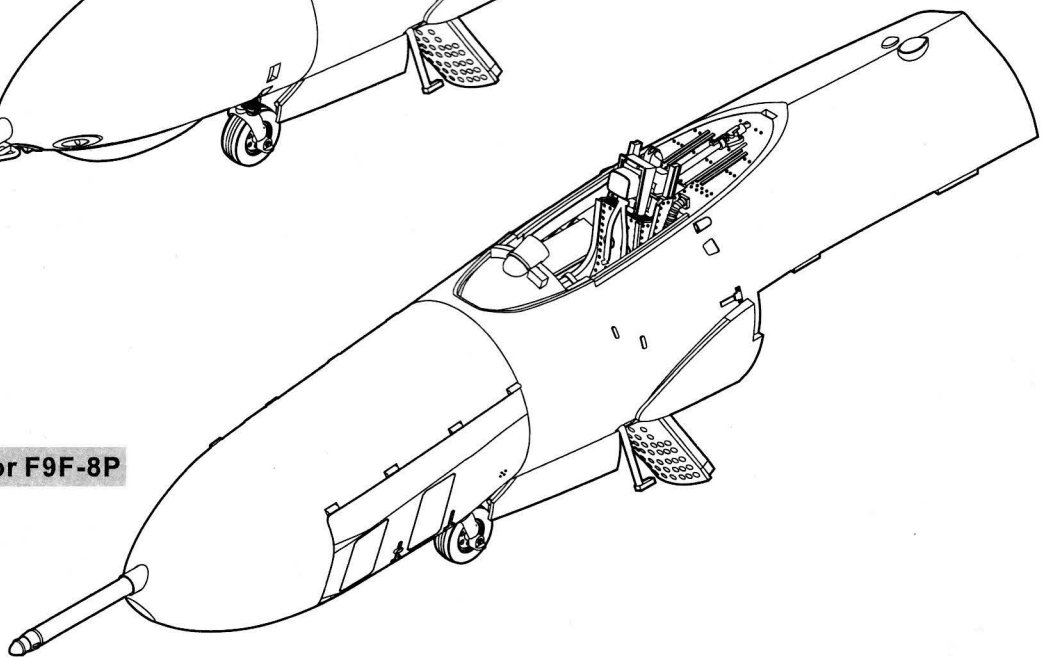
8

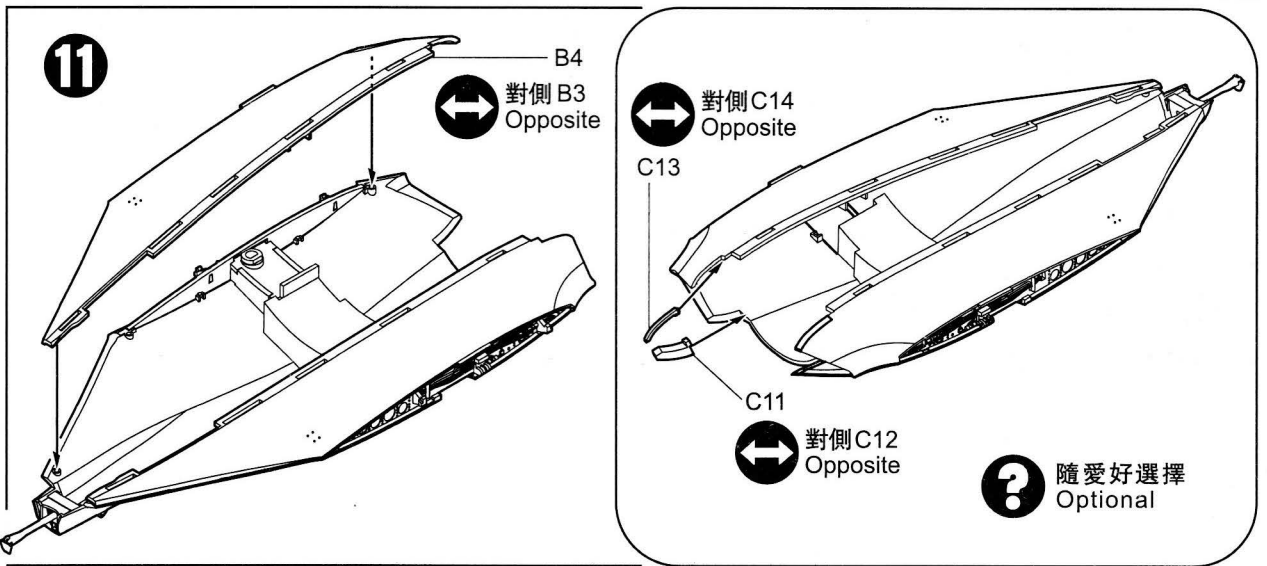
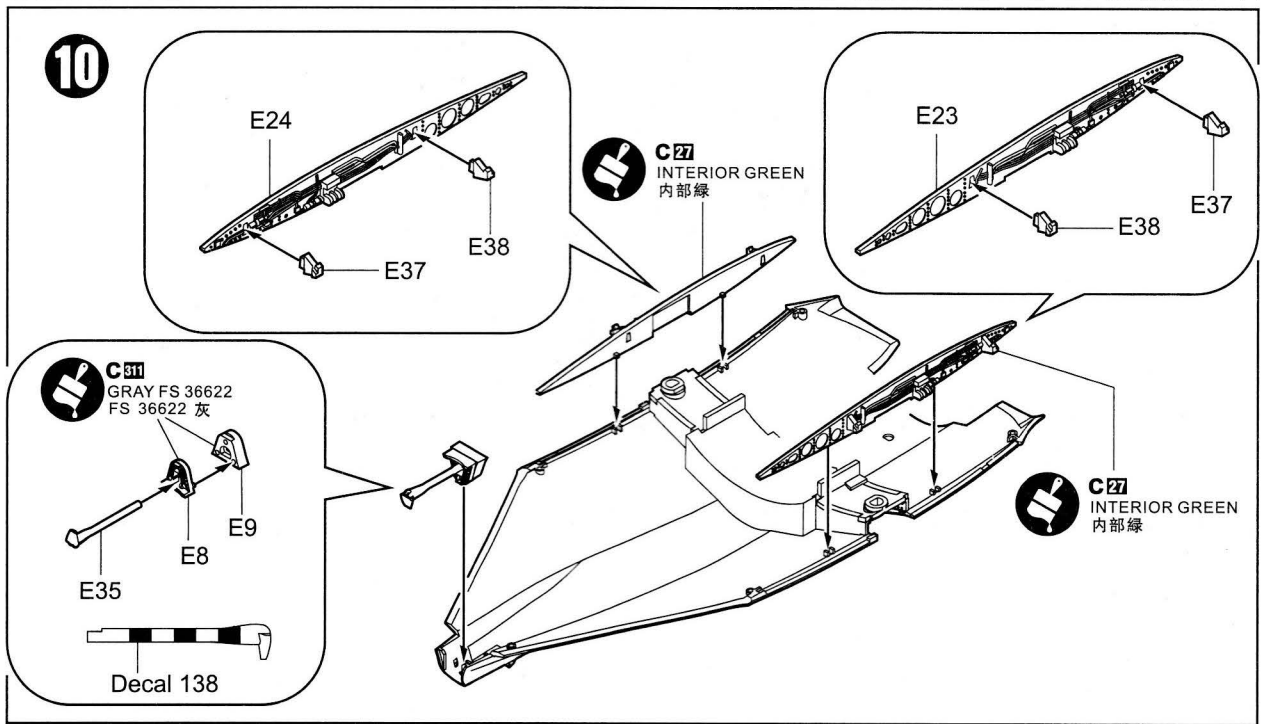
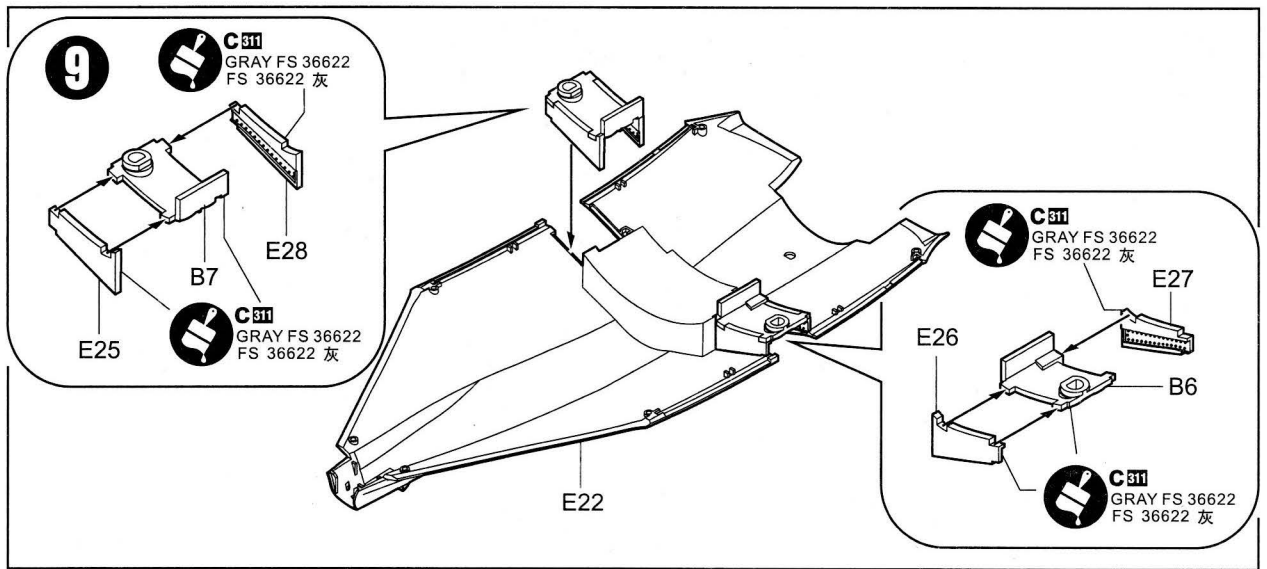


For F9F-8

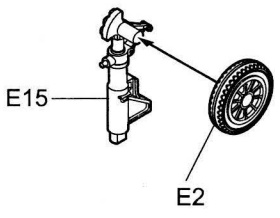


For F9F-8P

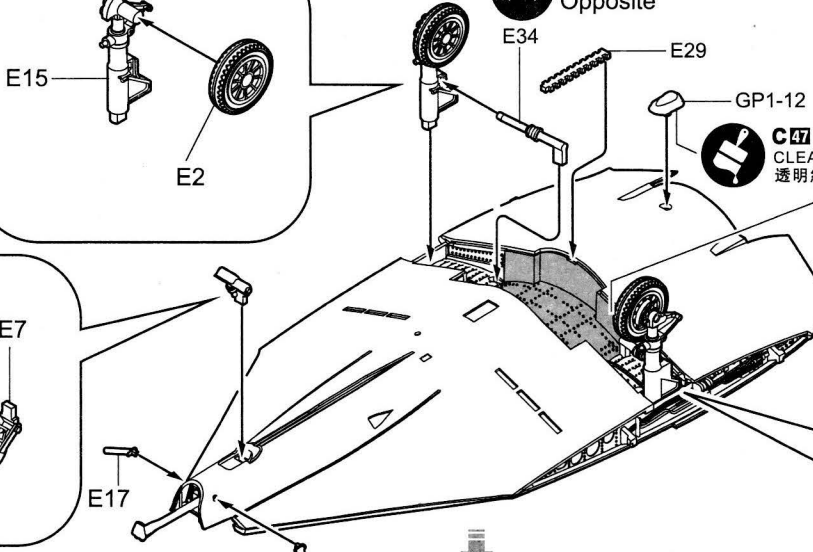




12

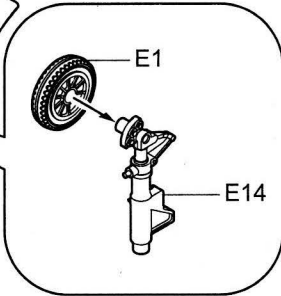
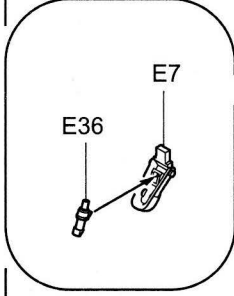


對側 E31
Opposite

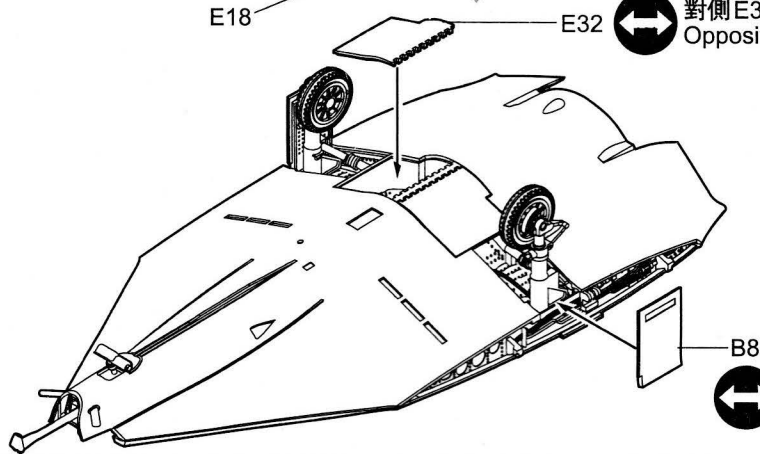


C27
INTERIOR GREEN
內部綠

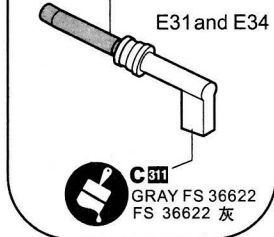
C47
CLEAR RED
透明紅



對側 E30
Opposite

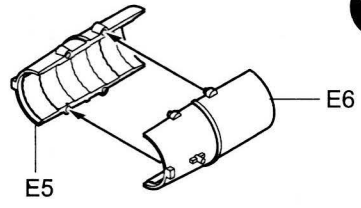
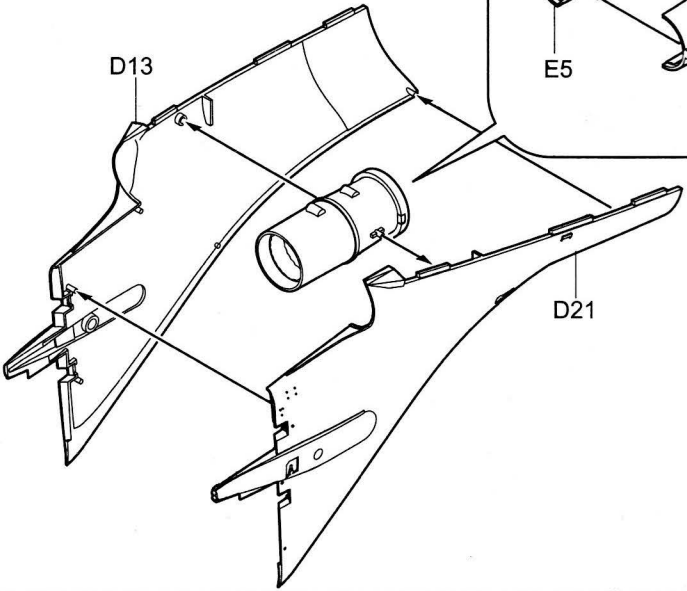


C3
RED
紅色

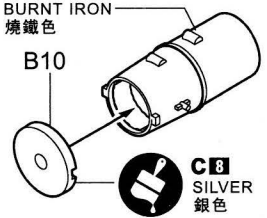


對側 B9
Opposite

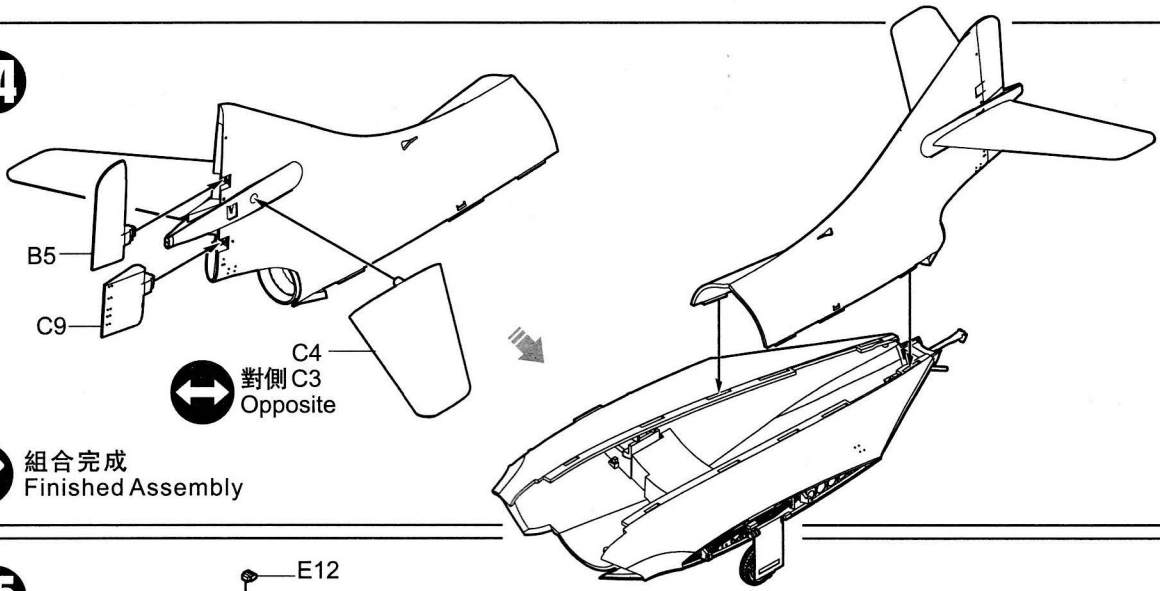
13



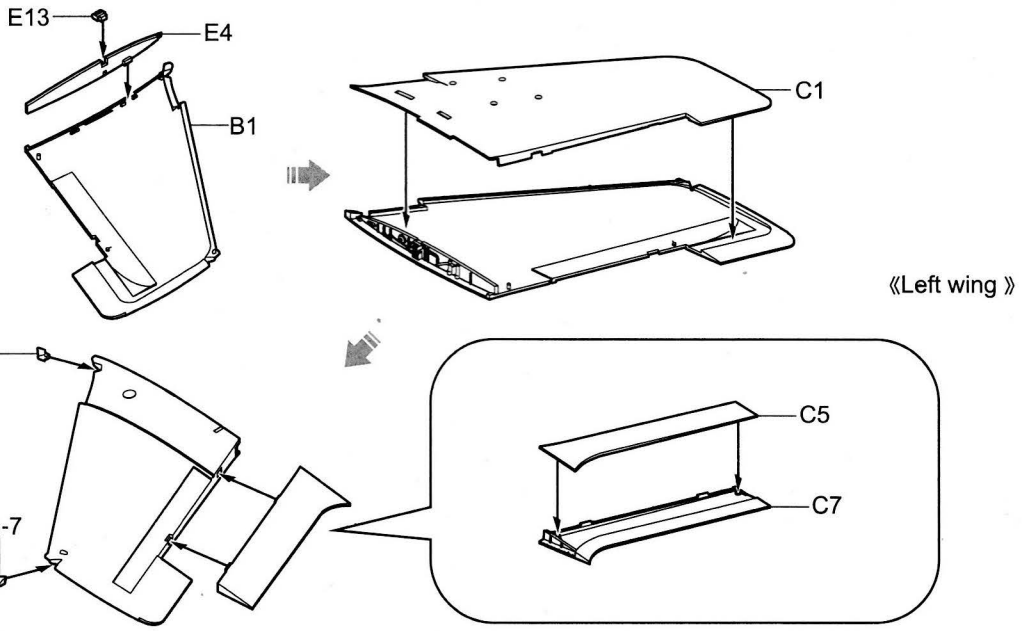
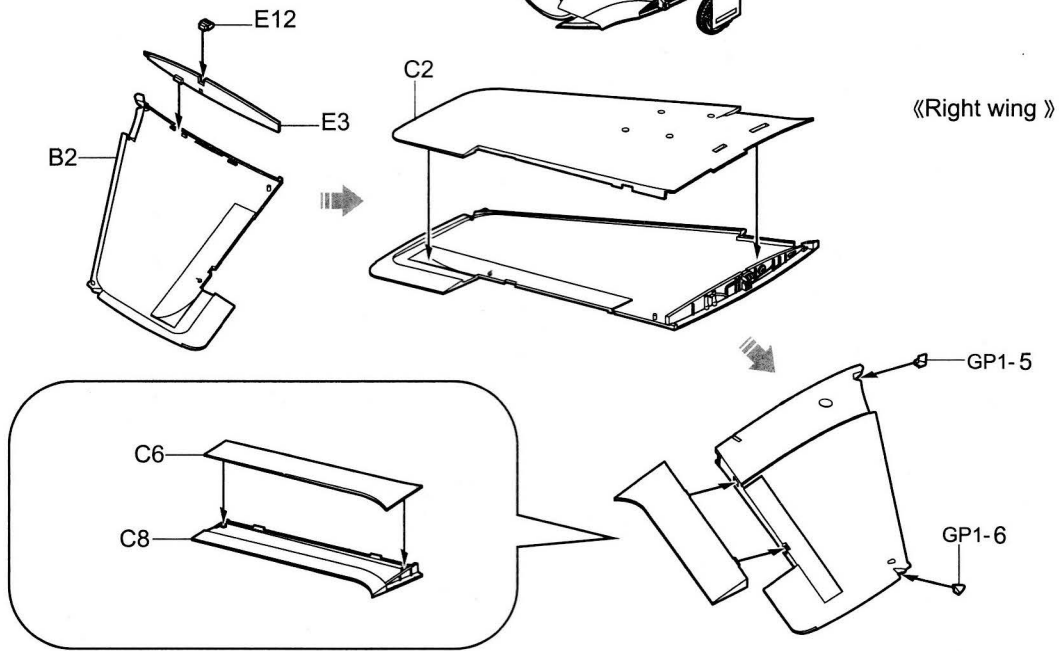
C51
BURNT IRON
燒鐵色



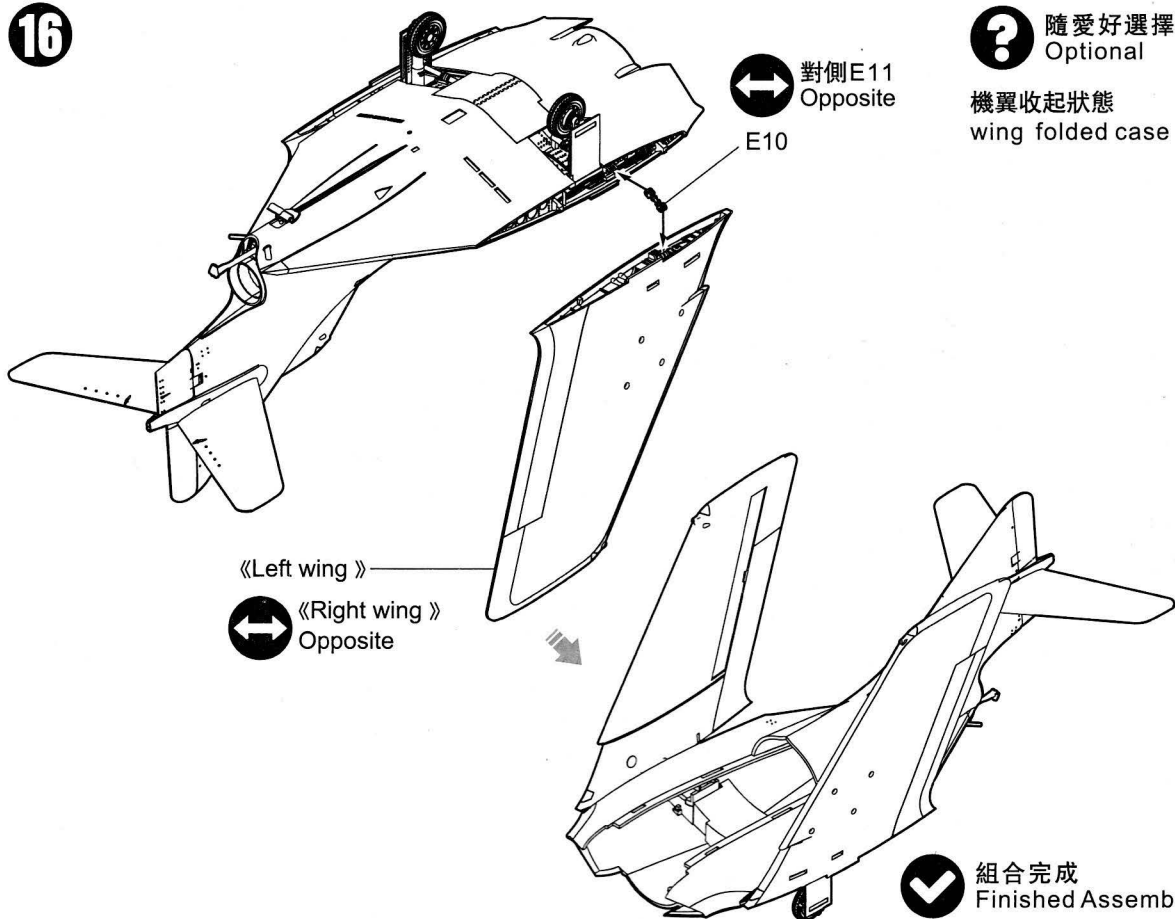
14



15



16



? 隨愛好選擇
Optional

機翼收起狀態
wing folded case

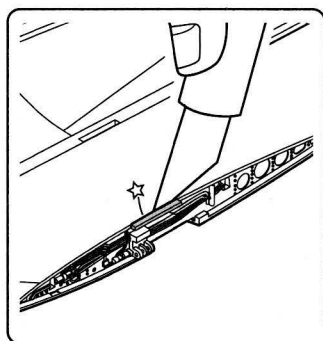
對側E11
Opposite

E10

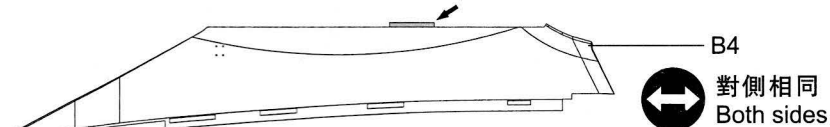
《Left wing》

對側
《Right wing》
Opposite

組合完成
Finished Assembly



當制作機翼展開狀態時，請切除陰影部分的零件
remove this Grey shading indicates when the wing unfold



B4

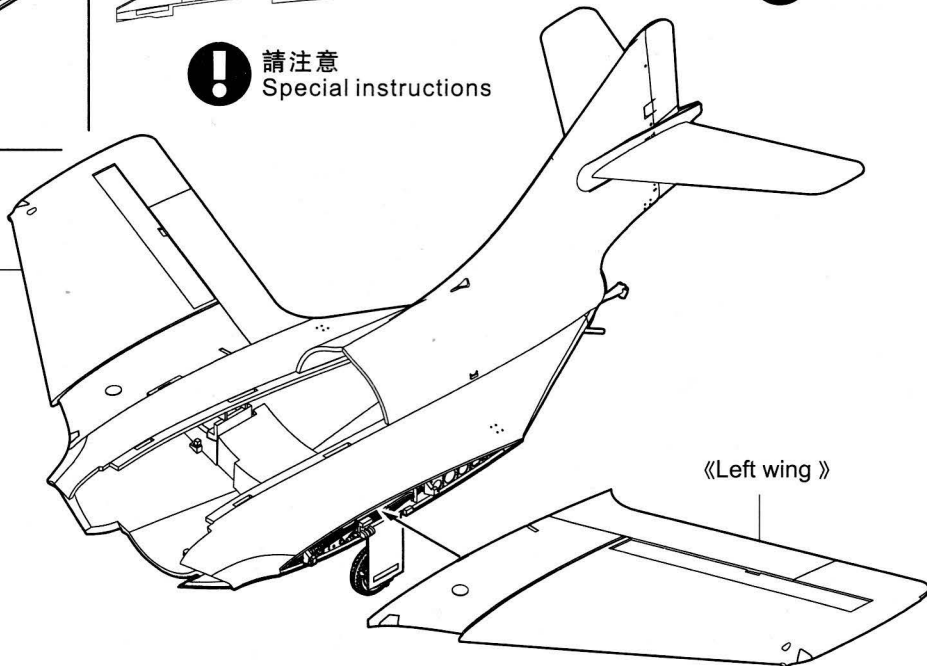
對側相同
Both sides

! 請注意
Special instructions

《Right wing》

? 隨愛好選擇
Optional

機翼打開狀態
wing unfold case



《Left wing》

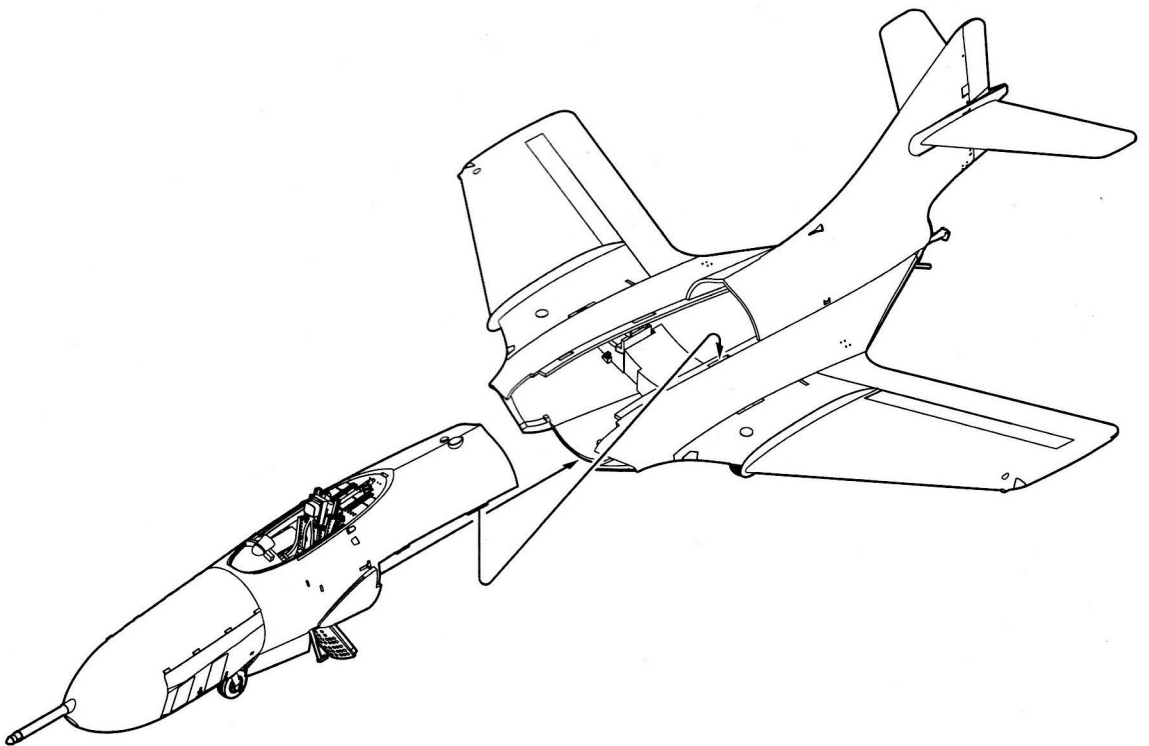
17

↔ 對側PE14
Opposite

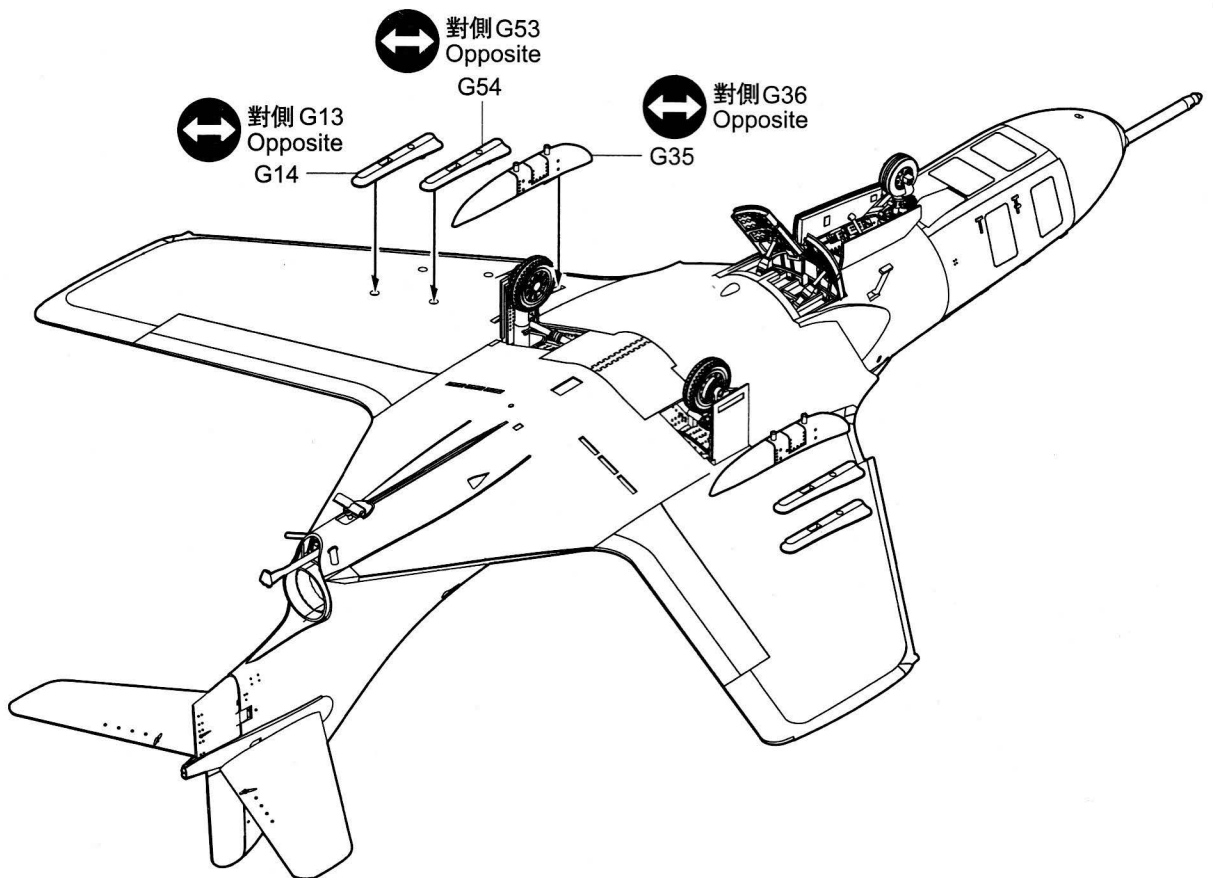
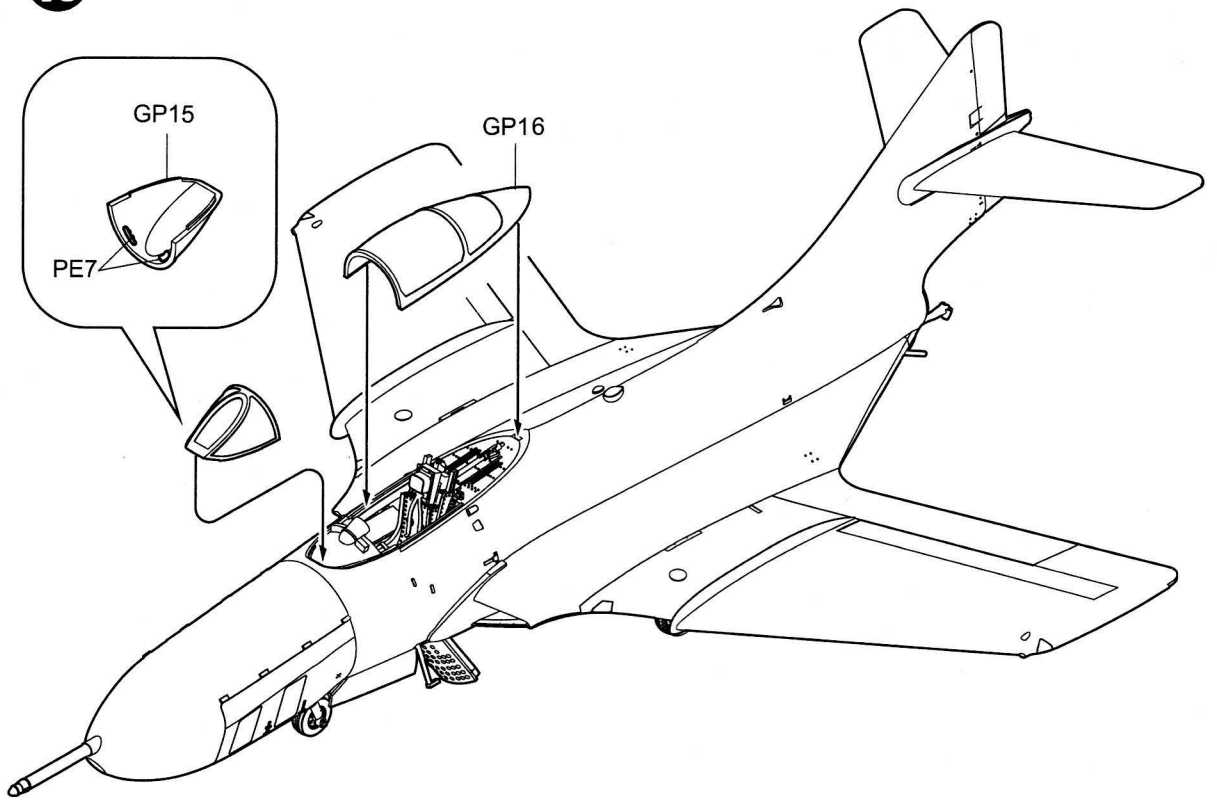
PE13

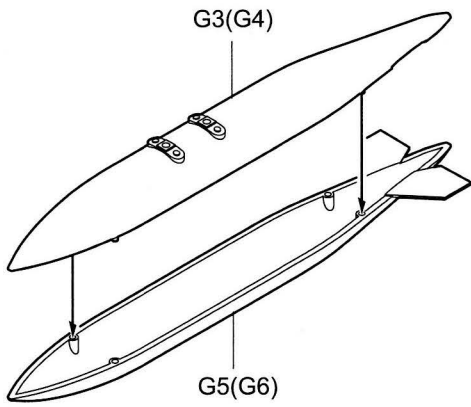
PE9

PE9



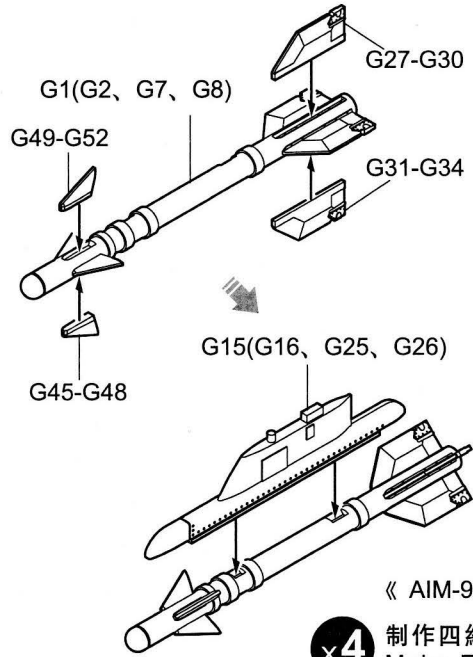
18





《 Fuel tank 》

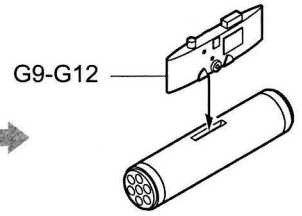
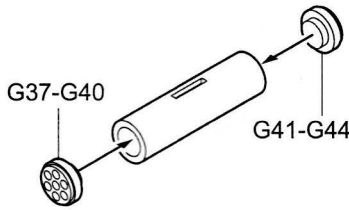
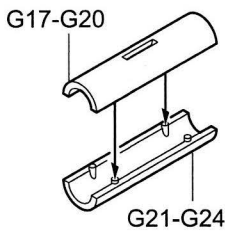
x2 制作兩組
Make Two



《 AIM-9B 》

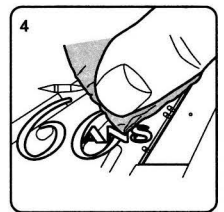
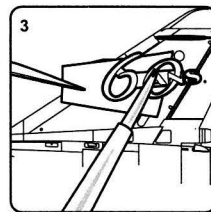
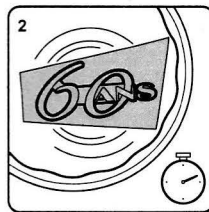
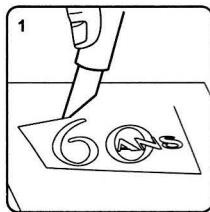
x4 制作四組
Make Four

《 2.75 in Rocket 》



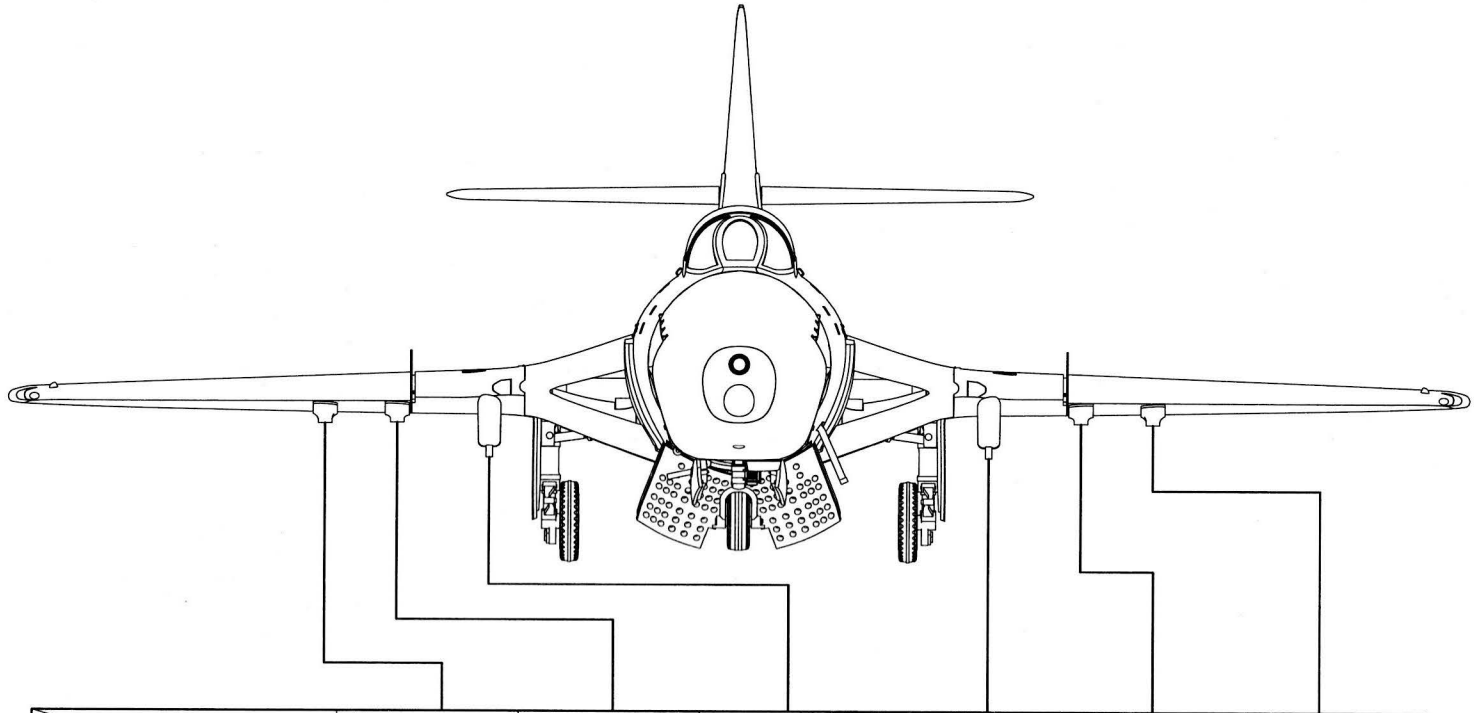
x4 制作四組
Make Four

DECAL APPLICATION



1. Cut off decal from transfer sheet.
2. Dip the decal in water for about 10 seconds (may take more seconds in low temperature), and place on a clean cloth.
3. Hold the backing paper edge and slide decal onto the model. Then move decal into position by wetting decal with brush or finger.
4. Press decal gently down with a soft cloth until excess water and air bubbles are gone.





| Sta.No. | 1 | 2 | 3 | 4 | 5 | 6 |
|--------------------|---|---|---|---|---|---|
| « Fuel tank » | | | ● | ● | | |
| « AIM-9B » | ● | ● | | | ● | ● |
| « 2.75 in Rocket » | ● | ● | | | ● | ● |
| | | | | | | |
| | | | | | | |

1:48 F9F-8 & F9F-8P "Cougar" Painting & marking Guide

塗裝與水貼

A. F9F-8 Cougar of VF-61.

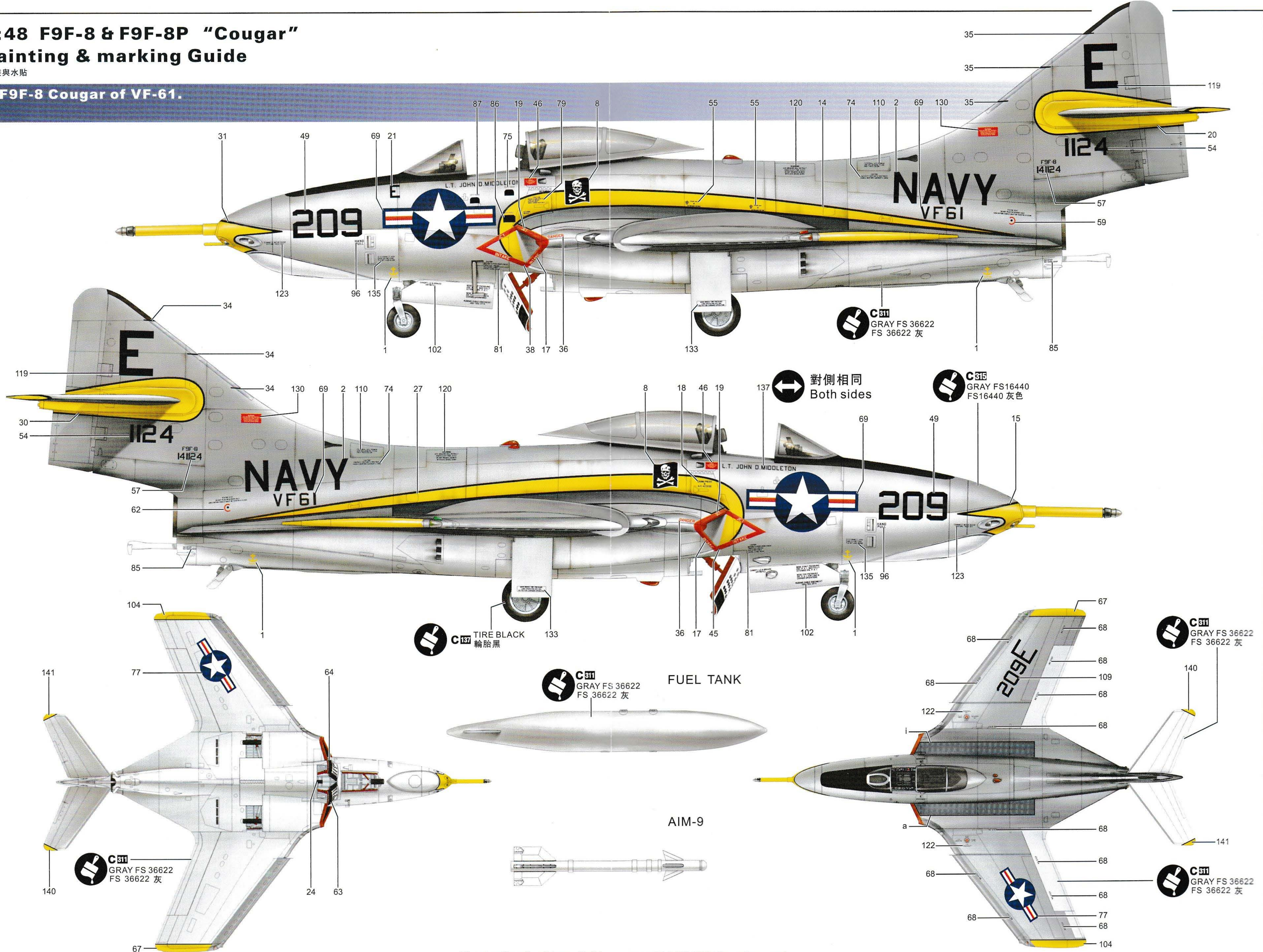
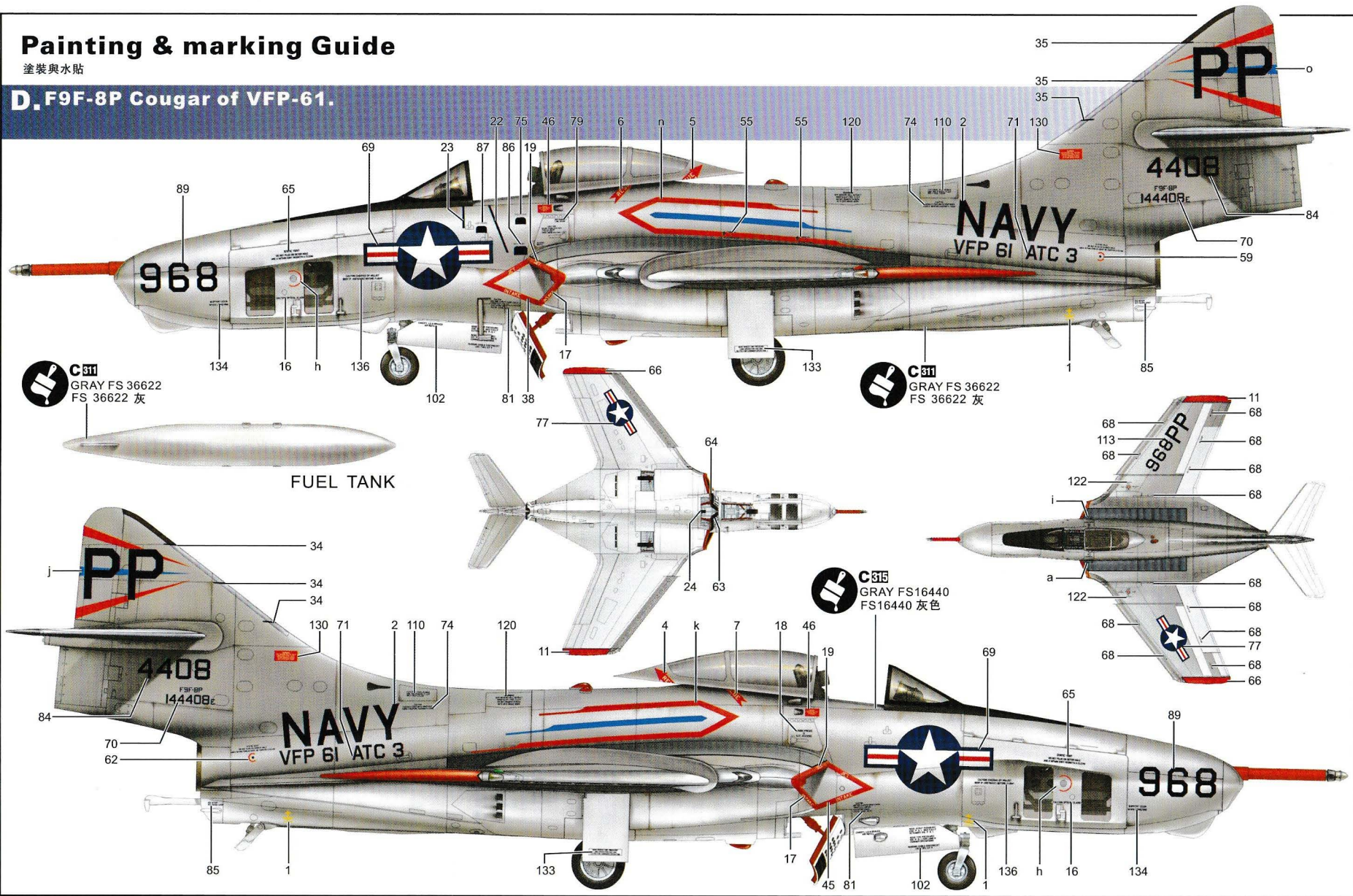


Illustration by Chen JiaLi GUNZE SANGYO Mr. color used

Painting & marking Guide

塗裝與水貼

D. F9F-8P Cougar of VFP-61.



C 311
GRAY FS 36622
FS 36622 灰

C 311
GRAY FS 36622
FS 36622 灰

FUEL TANK

C 315
GRAY FS 16440
FS 16440 灰色

Painting & marking Guide

塗裝與水貼

E. F9F-8P Cougar of United States Navy.

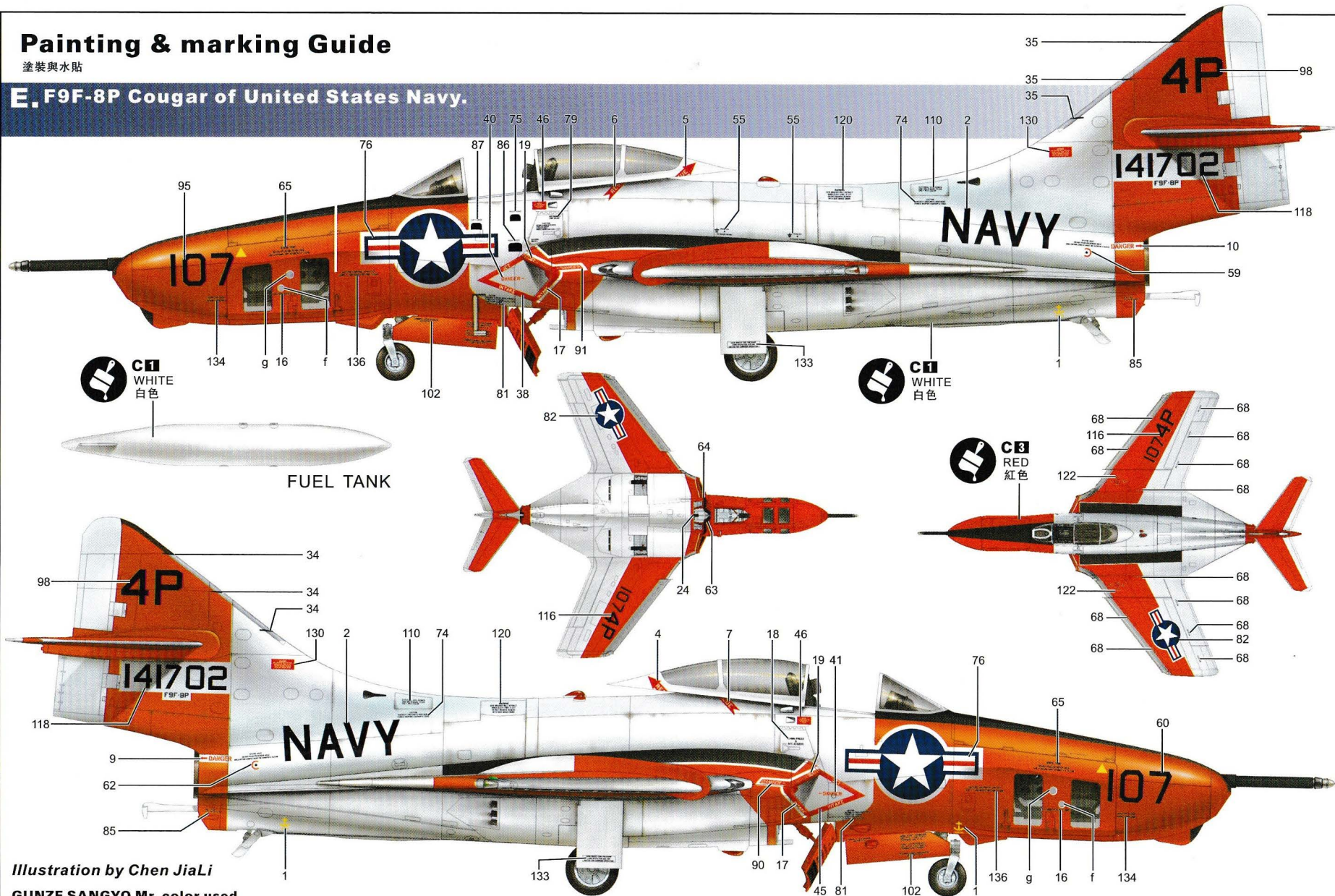


Illustration by Chen JiaLi

GUNZE SANGYO Mr. color used